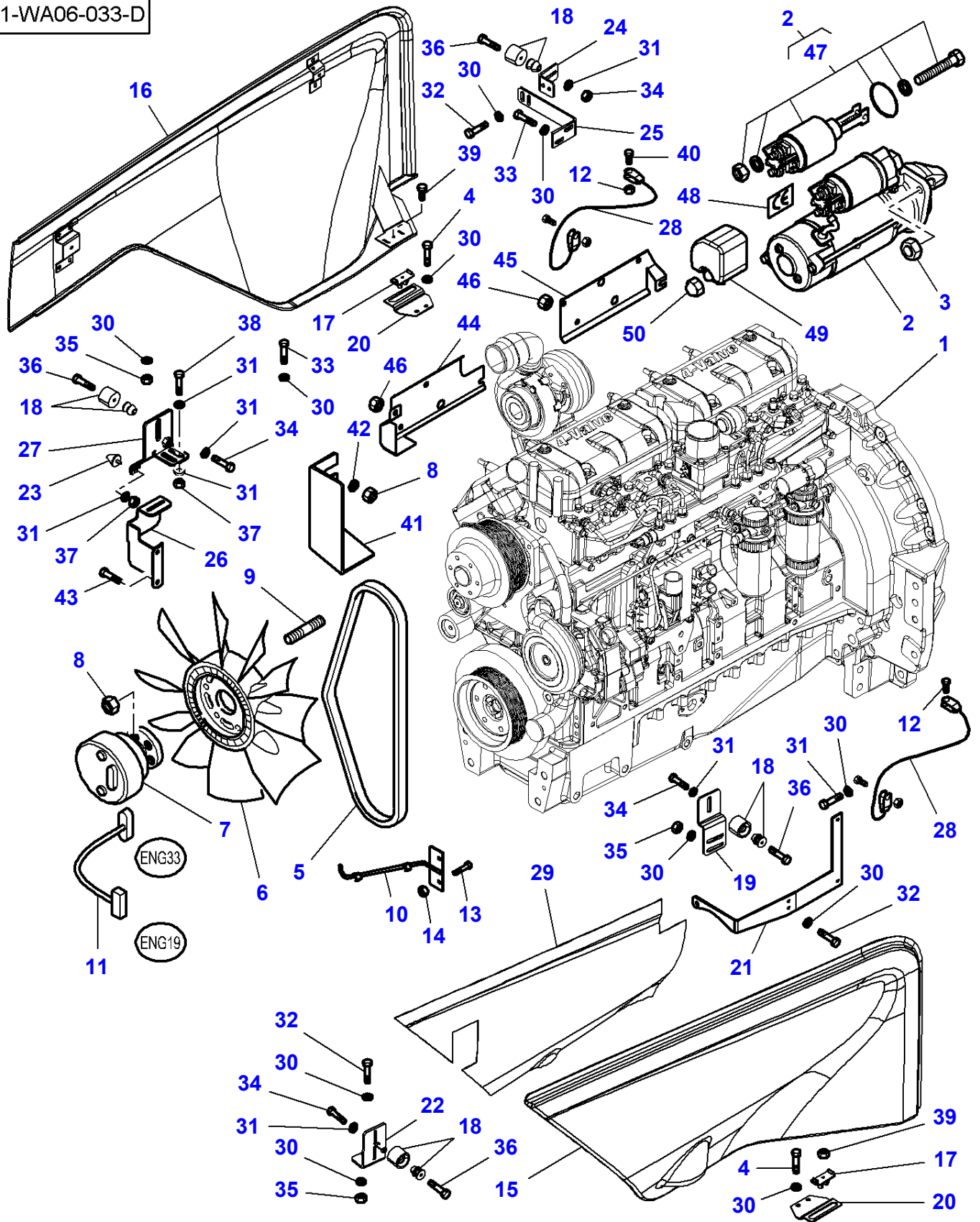




MF 8470/8480 TRACTOR (TIER 3) - 3906071
1-WA06-033-D

1-WA06-033-D



Engine & Equipment

Item	Part Number	Qty	Description	Comments
1	V835261283	1	Engine	[A] R352036 MF 8470 84 CTA
	V865261283X	1	Short Engine	[B] R352036 MF 8470
	V835261746	1	Engine	[A] R352037 MF 8470 84 CTA
	V865261746X	1	Short Engine	[B] R352037 MF 8470
	V835261284	1	Engine	[A] R341079 MF 8480 84 CTA
	V865261284X	1	Short Engine	[B] R341079 MF 8480
	V865261284	1	Exchange Engine	[E] R341079 MF 8480
	V835261747	1	Engine	[A] R341080 MF 8480 84 CTA
	V865261747X	1	Short Engine	[B] R341080 MF 8480
2	3823621M91	1	Startermotor	[C] 010-0020/1 S045021 - MF8480
	3823621M91	1	Startermotor	[C,D] 010-0020/1 S051055 - MF8470
	4288991M1	1	Startermotor	[C] S045022 - MF8480
	4288991M1	1	Startermotor	[C,D] S051056 - MF8470
3	339402X1	3	Nut	M10
4	339009X1	4	Setscrew	M8 X 35
5	4285103M1	1	Belt	1930 MM R186002
	4288688M1	1	Belt	1915 MM R186003 715 MM
6	4274233M1	1	Fan	
7	3789258M1	1	Clutch	
8	1441932X1	8	Nut Metric	M10
9	3011339X1	6	Stud	M10 X 22
10	4276881M4	1	Support	
11	4272811M4	1	Harness	
12	1441500X1	3	Top Locknut	M6
13	339560X1	2	Bolt	M6 X 16
14	339030X1	2	Nut	M6
15	4276108P91	1	Panel	
16	4275844P91	1	Panel	
17	3800376M1	2	Buffer	
18	72502409	4	Rubber	
19	4270244M5	1	Support	
20	4288360M1	2	Support	
21	4281865M1	1	Support	
22	4270260M2	1	Support	
23	3780947M1	1	Stop	
24	4270673M2	1	Support	
25	4273770M2	1	Support	
26	4284308M1	1	Support	
27	4281581M1	1	Support	
28	3783347M2	2	Cable	
29	4275845M1	1	Protection.	
30	390972X1	21	Flat Washer	8-17 X 1,7

Engine & Equipment

Item	Part Number	Qty	Description	Comments
31	390971X1	9	Flat Washer	6-12 X 1,5
32	339124X1	7	Bolt	M8 X 16
33	339761X1	4	Bolt	M8 X 25
34	391074X1	4	Bolt	M6 X 12
35	339169X1	5	Nut	M8
36	339804X1	4	Bolt	M6 X 25
37	339030X1	3	Nut	M6
38	339666X1	2	Bolt	M6 X 20
39	3010021X1	2	Rivet	
40	339560X1	3	Bolt	M6 X 16
41	4276812M4	1	Cowl	R327070
42	390734X1	2	Flat Washer	R327070
43	3015258X1	1	Hex. Sock. Screw	M8 X 95
43	339159X1	1	Bolt	M8 X 65
44	4288713M2	1	Cowl	R341080
45	4288714M2	1	Cowl	R341080
46	339402X1	8	Nut	R341080 M10
47	3904366M91	1	Kit, Solenoid	(2)
48	3788193M1	1	Label	
49	3786093M1	1	Protection.	
50	3786092M1	1	Nut	

FOOTNOTE [A] INCLUDES FLYWHEEL

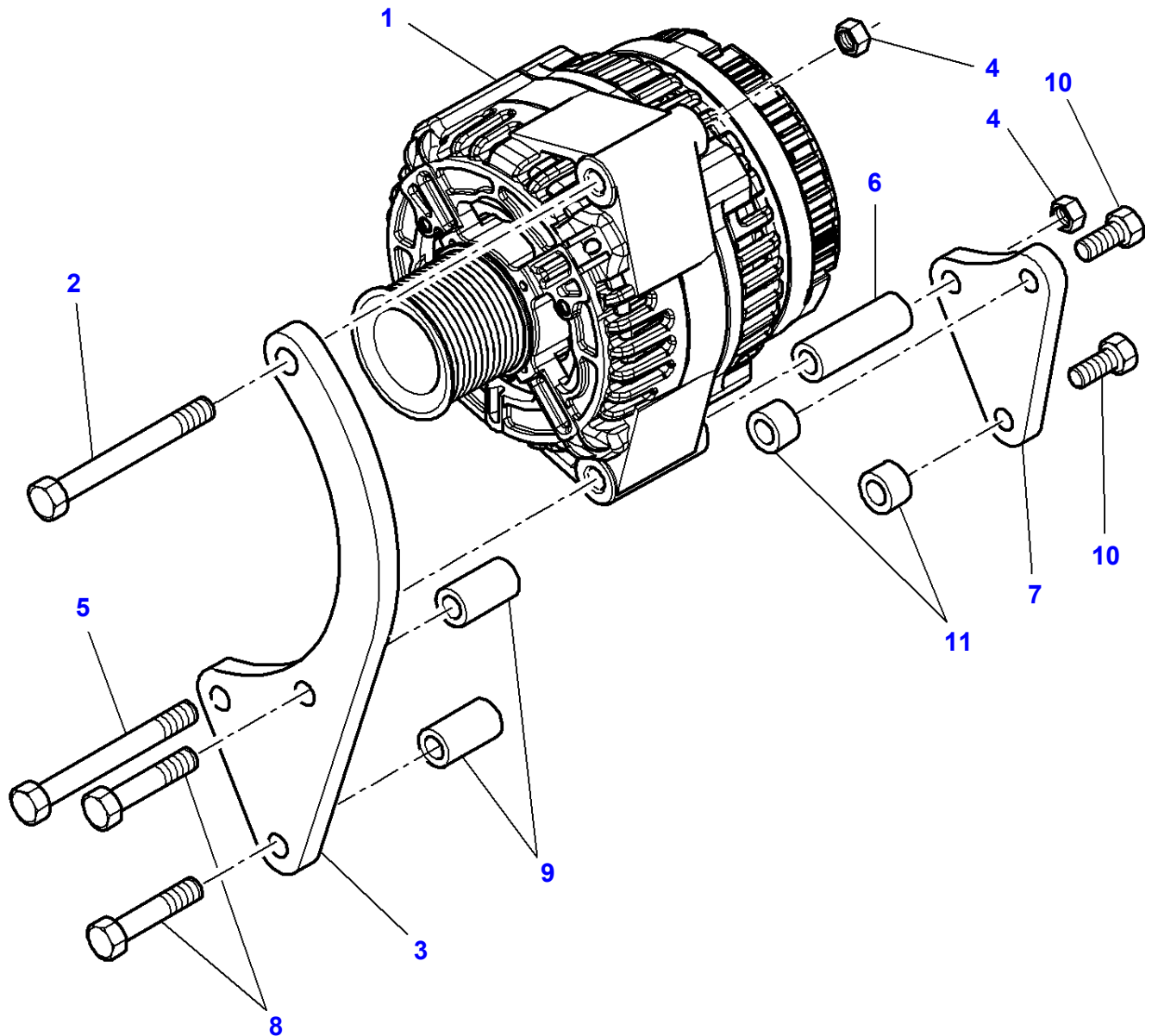
FOOTNOTE [B] NOT ILLUSTRATED

FOOTNOTE [C] THE APPROPRIATE SAFETY DECALS MUST BE ORDERED AND FITTED TO THIS PART

FOOTNOTE [D] EXCEPT TRACTOR NO S039058

FOOTNOTE [E] ENGINE REMOVE

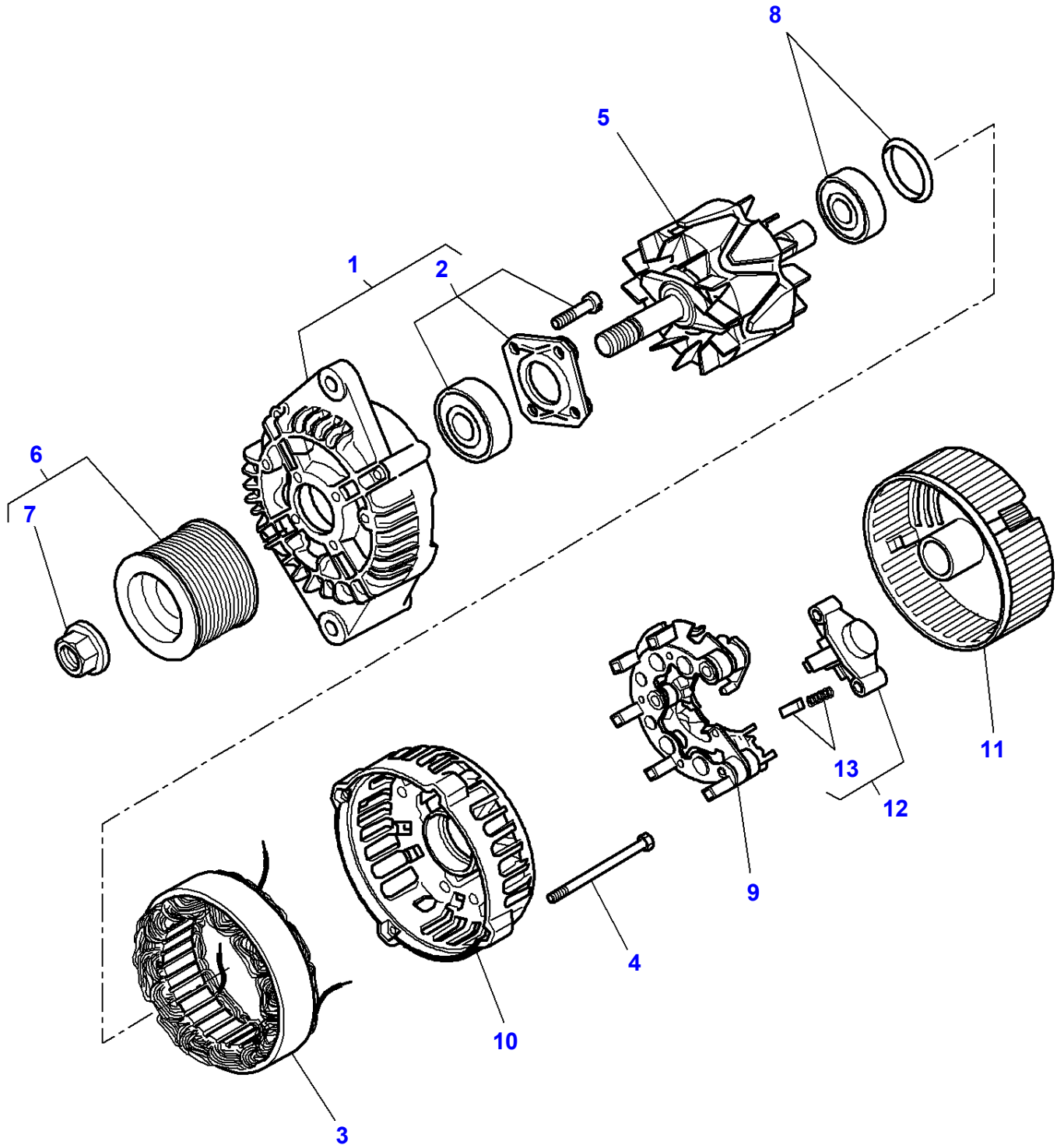
1-WA10-013-A



Massey Ferguson**MF 8470/8480 TRACTOR (TIER 3) - 3906071****3906071****Page010-0010****Alternator & Bracket**

Item	Part Number	Qty	Description	Comments
1	3789983M91	1	Alternator	150 AMP 010-0015/0
2	3009502X1	1	Hex. Sock. Screw	M10 X 80
3	3789862M1	1	Support	
4	339402X1	2	Nut	M10
5	3002813X1	1	Hex. Sock. Screw	M10 X 145
6	4280581M1	1	Spacer	10.5-20 X 56
7	3789861M1	1	Support	
8	339132X1	2	Bolt	M8 X 75
9	4280582M1	2	Spacer	8.5-16 X 25
10	339009X1	2	Setscrew	M8 X 35
11	3011180X1	2	Spacer	

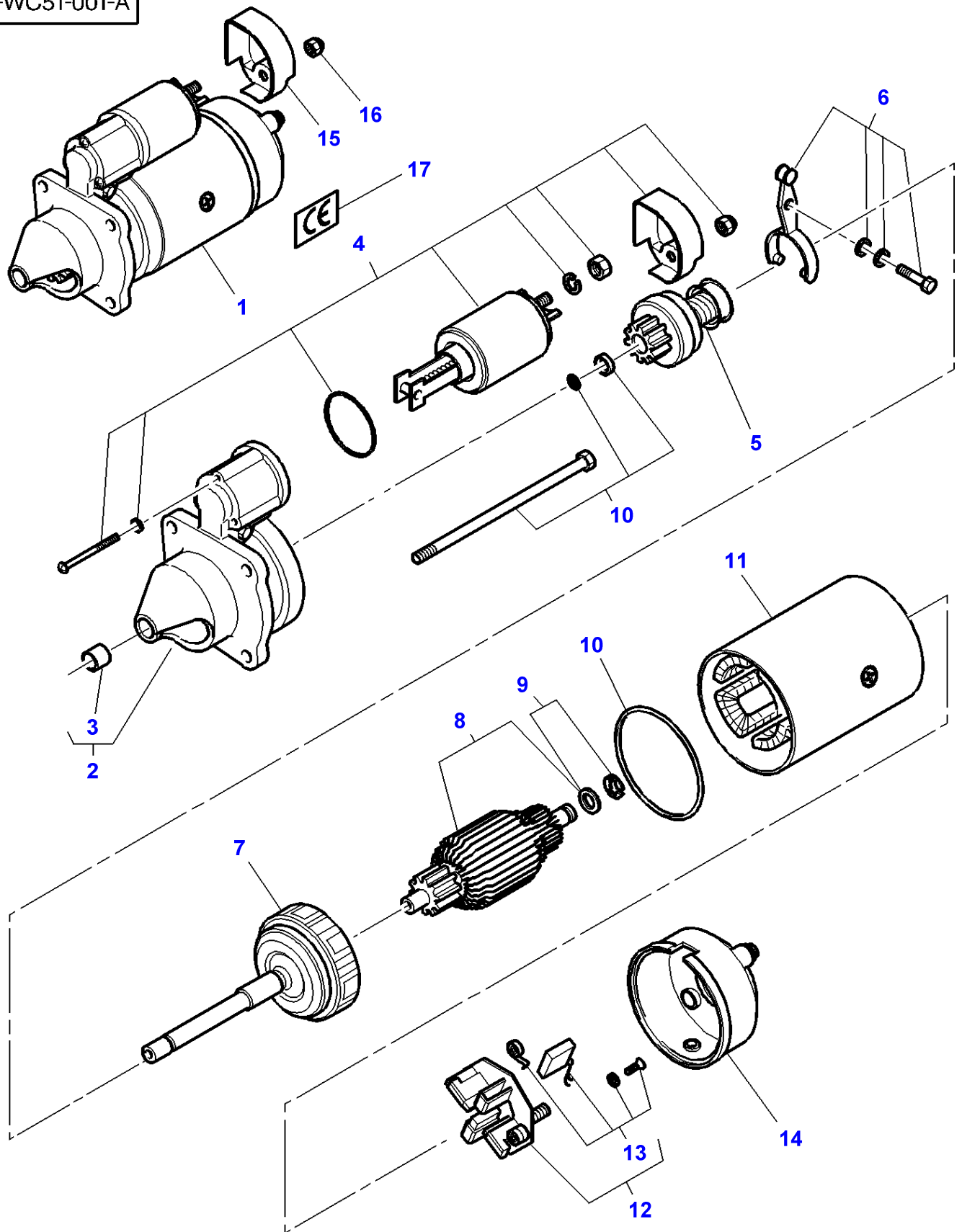
1-WC35-005-C



Massey Ferguson**MF 8470/8480 TRACTOR (TIER 3) - 3906071****3906071****Page010-0015****Alternator - 150 Amp**

Item	Part Number	Qty	Description	Comments
	3789983M91	1	Alternator	
1		1	Kit, Drive	REF. 0
2	3907186M91	1	Kit, Bearing	(1)
3		1	Stator	REF. 0
4	3907187M1	1	Bolt	
5		1	Rotor	REF. 0
6	3907188M91	1	Pulley	
7		1	Parts Pack	(6) REF. 6
8	3907193M91	1	Kit, Bearing	
9	3907190M91	1	Rectifier	
10		1	Housing	REF. 0
11	3907191M1	1	Cover	
12	3907192M91	1	Regulator	
13		1	Brush	(12) REF. 12

1-WC51-001-A



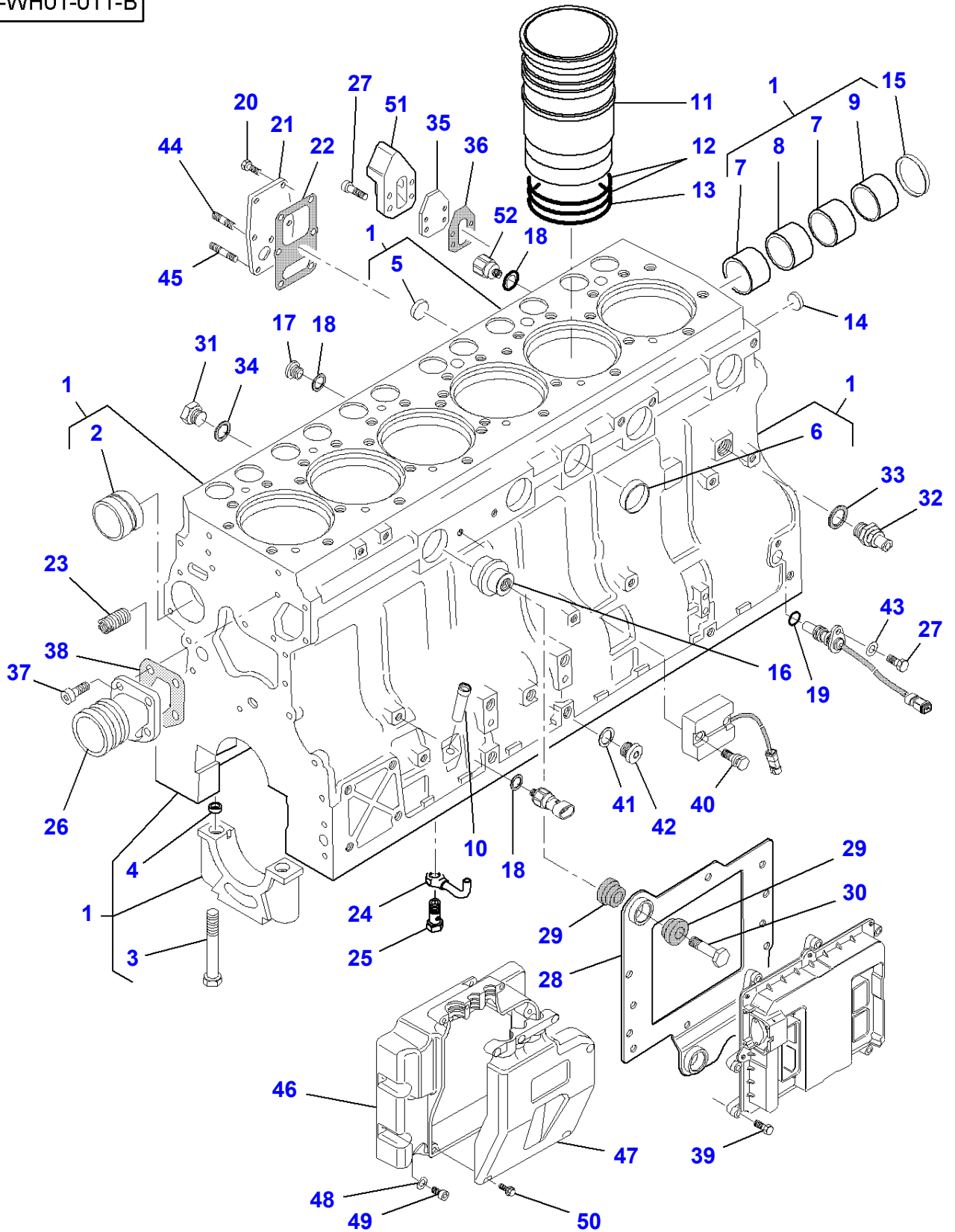
Massey Ferguson**MF 8470/8480 TRACTOR (TIER 3) - 3906071****3906071****Starter - Up To S/N S051055 Except Tractor S/N S039058 For M F8470 - Up To S/N S045021 For MF8480****Page010-0020**

Item	Part Number	Qty	Description	Comments
1	3823621M91	1	Startermotor	[A]
2		1	Housing	(1) REF. 1
3	3903761M1	1	Bearing	(2)
4	3904366M91	1	Kit, Solenoid	(1)
5	3904360M1	1	Drive Gear	(1)
6	3904361M91	1	Kit, Lever	(1)
7		1	Reducer	(1) REF. 1
8		1	Rotor	(1) REF. 1
9	3904362M91	1	Kit, Bearing	(1)
10	3904363M91	1	Parts Pack	(1)
11		1	Stator	(1) REF. 1
12	3904364M91	1	Holder	(1)
13	3904365M91	1	Kit, Brush	(12)
14		1	Cover	(1) REF. 1
15	3786093M1	1	Protection.	
16	3786092M1	1	Nut	M10
17	3788193M1	1	Label	

FOOTNOTE [A] THE APPROPRIATE SAFETY DECALS MUST BE ORDERED AND FITTED TO THIS PART

MF 8470/8480 TRACTOR (TIER 3) - 3906071
1-WH01-011-B

1-WH01-011-B

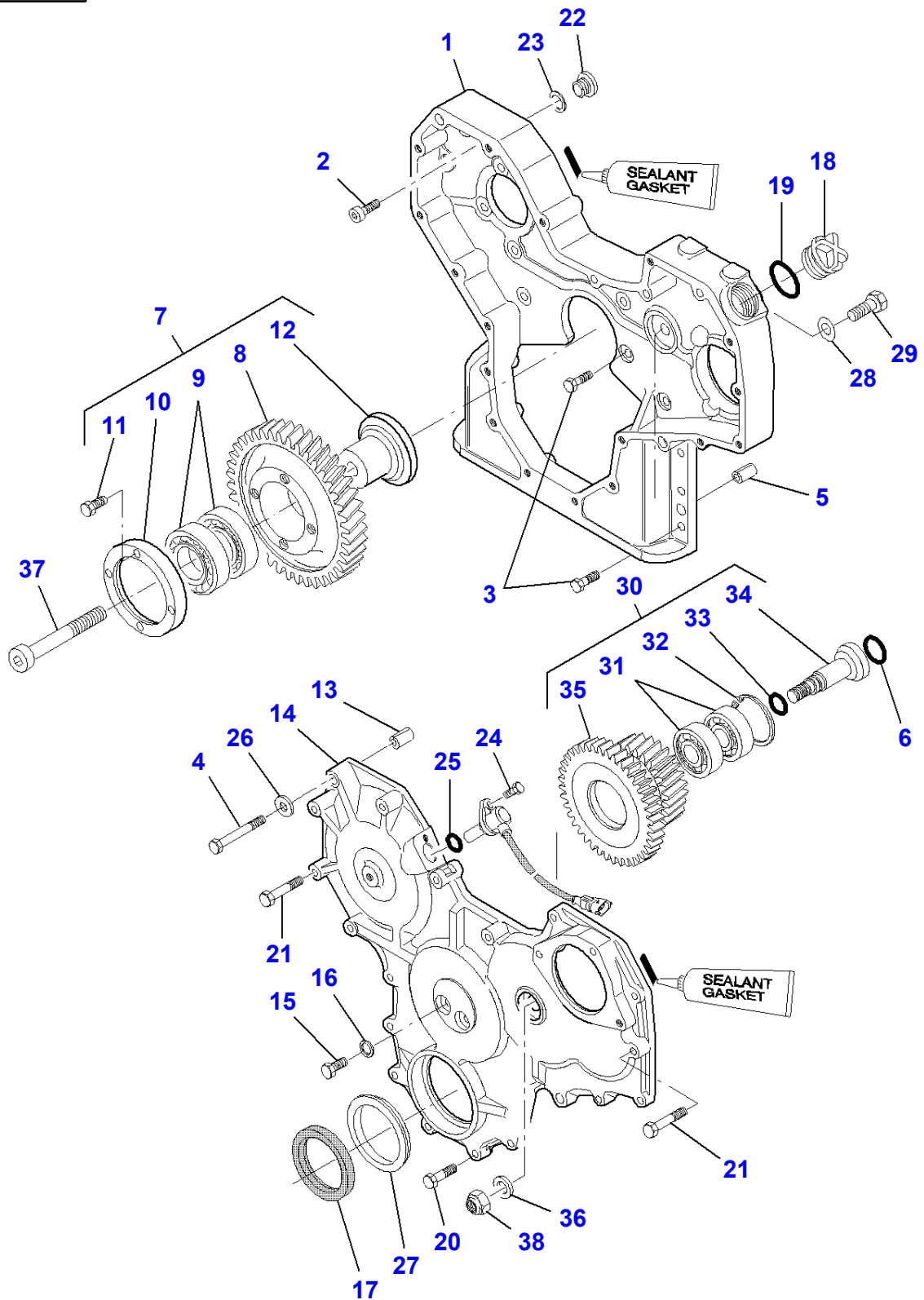


Cylinder Block

Item	Part Number	Qty	Description	Comments
1	V836867046	1	Cylinder Block	
2	V836866069	1	Bush	(1)
	V836866036	X	Bush	+0,4 MM
3	V529903180	14	Screw	(1)
4	V836214478	24	Bush	(1)
5	V640016018	1	Plug	(1)
6	V640016040	4	Plug	(1)
7	V836852460	2	Bush	(1)
8	V836852459	1	Bush	(1)
9	V836852461	1	Bush	(1)
10	V836666910	1	Pipe	S19673
	V837070393	1	Pipe	S19674
11	V836867048	6	Liner	
	V836867050	X	Liner	9,08 MM
12	V836855446	12	O Ring	
13	V836855447	6	O Ring	
14	V640016016	4	Plug	
15	V836852744	1	Plug	
16	V837069057	1	Plug	
17	V640325110	5	Plug	
18	V615871014	6	Seal	
19	V614601524	1	O Ring	
20	V528801380	5	Bolt	M8 X 20
21	V836855678	1	Cover	
22	V836322852	1	Gasket	
23	V836859153	1	Nipple	
24	V837070021	6	Pipe	
25	V836338601	6	Valve	
26	V836855629	1	Sleeve	
27	V528801362	1	Bolt	M8 X 16
	V528801362	4	Bolt	S19673
				M8 X 16
	V581804630	4	Screw	S19674
				M8 X 30
28	V837070147	1	Bracket	
29	V837069052	6	Bush	
30	V837069056	3	Screw	
31	V836119079	1	Plug	
32	V836664377	1	Cock	
33	V615881824	1	Seal	
34	V615881620	1	Seal	
35	V836866957	1	Cover	
36	V836866958	1	Gasket	
37	V581804600	4	Screw	M8 X 20
38	V836855554	1	Gasket	
39	V529801102	8	Screw	M6 X 25
40	V837070197	2	Screw	
41	V615881420	1	Gasket	
42	V640325014	1	Plug	
43	V500050840	1	Washer	
44	V546801360	1	Bolt	M8 X 16
45	V546801400	1	Bolt	M8 X 25
46	V837070285	1	Cover	
47	V837070286	1	Cover	
48	V500150642	5	Washer	
49	V581804182	5	Screw	M6 X 16
50	V590253388	6	Screw	5.1 X 14
51	V837067696	1	Adapter	S19674
52	V836120022	1	Connection	S19674

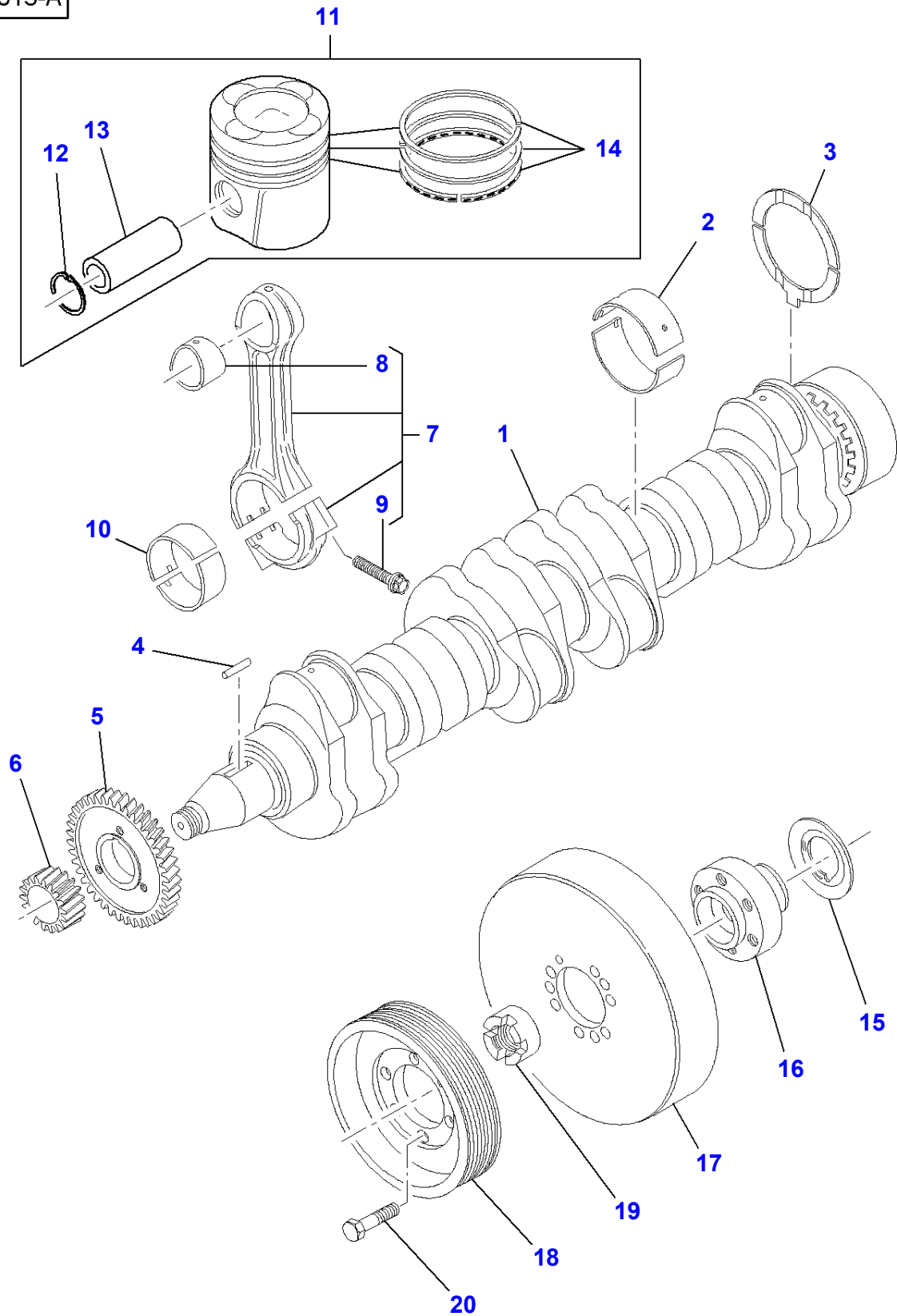
MF 8470/8480 TRACTOR (TIER 3) - 3906071
1-WH20-007-A

1-WH20-007-A



Timing Gear Housing				
Item	Part Number	Qty	Description	Comments
1	V837070064	1	Housing	
2	V581804620	2	Screw	M8 X 25
3	V528801400	14	Bolt	M8 X 25
4	V529801470	2	Bolt	M8 X 60
5	V598359850	2	Pin	
6	V614601924	1	O Ring	
7	V837070001	1	Gear	
8	V837070000	1	Gear	(7)
9	V610072109	1	Bearing Assy	(7)
10	V836855565	1	Ring	(7)
11	V528901400	4	Screw	(7) M8 X 16
12	V836855562	1	Shaft	(7)
13	V598359860	2	Pin	S19673
	V598359860	2	Pin	S19674
14	V837070168	1	Cover	
15	V528801380	2	Bolt	M8 X 20
16	V615870814	2	Washer	
17	V836840883	1	Oil Seal	
18	V836017927	1	Plug	
19	V614603540	1	O Ring	
20	V528801410	11	Adjusting Screw	M8 X 30
21	V529801440	7	Bolt	M8 X 45
22	V640325018	1	Plug	
23	V615881822	1	Seal	M8 X 95
24	V528801062	1	Bolt	M6 X 16
25	V614601524	1	O Ring	
26	V836120989	2	Flat Washer	
27	V836855636	1	Gasket	
28	V500951200	1	Washer	
29	V528902200	1	Screw	M12 X 25
30	V837070072	1	Gear	
31	V610073040	2	Bearing	(30)
32	V617330052	1	Circlip	(30)
33	V614601324	1	O Ring	(30)
34	V837069069	1	Shaft	(30)
35	V837070113	1	Gear	(30)
36	V837069070	1	Washer	M14
37	V581705910	1	Screw	M14 X 70
38	V504601400	1	Nut	

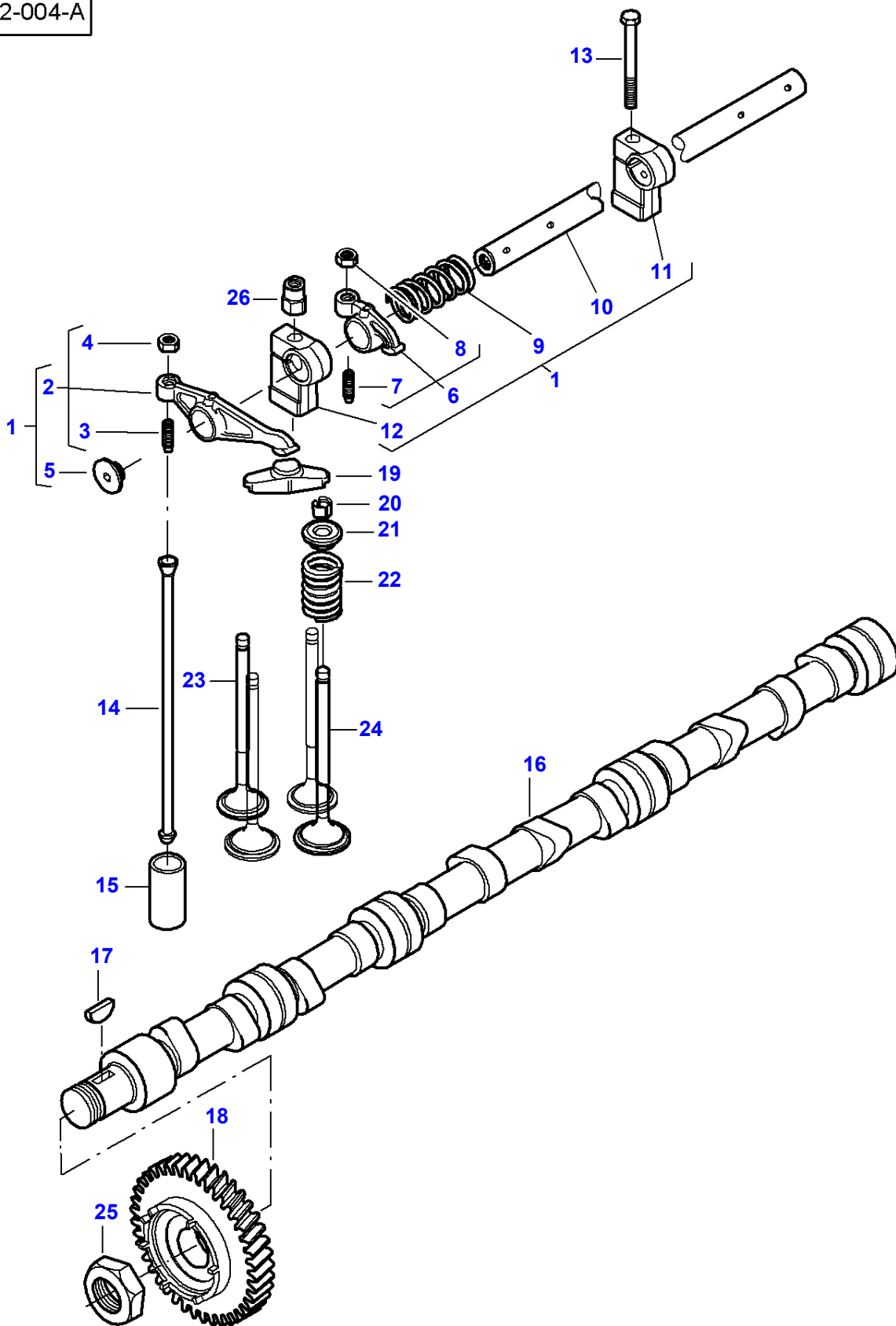
1-WH02-013-A



Crankshaft, Piston & Connecting Rods

Item	Part Number	Qty	Description	Comments
1	V837069088	1	Crankshaft	
2	V836840944	7	Main Bearing	
	V836840978	X	Main Bearing	89,735 MM 89,770 MM
	V836840979	X	Main Bearing	89,485 MM 89,520 MM
	V836840980	X	Main Bearing	88,985 MM 89,020 MM
	V836840981	X	Main Bearing	88,485 MM 88,520 MM
3	V836840945	2	Thrust Washer	
	V836840982	X	Thrust Washer	0,10 MM
	V836840983	X	Thrust Washer	0,20 MM
4	V836855525	1	Key	
5	V836855558	1	Gear	STANDARD
6	V837069060	1	Gear	
7	V836340948	6	Conrod	
	V836864101	X	Conrod	2230-2249g E
	V836864102	X	Conrod	2250-2269g F
	V836864103	X	Conrod	2270-2289g G
	V836864104	X	Conrod	2290-2309g H
	V836864105	X	Conrod	2310-2329g I
	V836864106	X	Conrod	2330-2349g J
	V836864107	X	Conrod	2350-2369g K
8	V836864288	6	Bush	(7)
	V836338606	X	Bush	+ 0,5 MM
9	V836864141	12	Screw	(7)
10	V836336302	6	Bearing	
	V836338650	X	Bearing	72,731 MM 72,750 MM
	V836338651	X	Bearing	72,481 MM 72,500 MM
	V836338652	X	Bearing	71,981 MM 72,000 MM
	V836338653	X	Bearing	71,481 MM 71,500 MM
11	V837070185	6	Piston	STANDARD
12		12	Circlip	(11) REF. 11
13		6	Clevis Pin	(11) REF. 11
14	V836840887	6	Kit, Piston Ring	(11)
15	V836855637	1	Ring	
16	V836855641	1	Hub	
17	V836840882	1	Shock Absorber	M12 X 40
18	V836855690	1	Pulley	
19	V836322221	1	Nut	
20	V528902230	6	Screw	M12 X 40

1-WH22-004-A

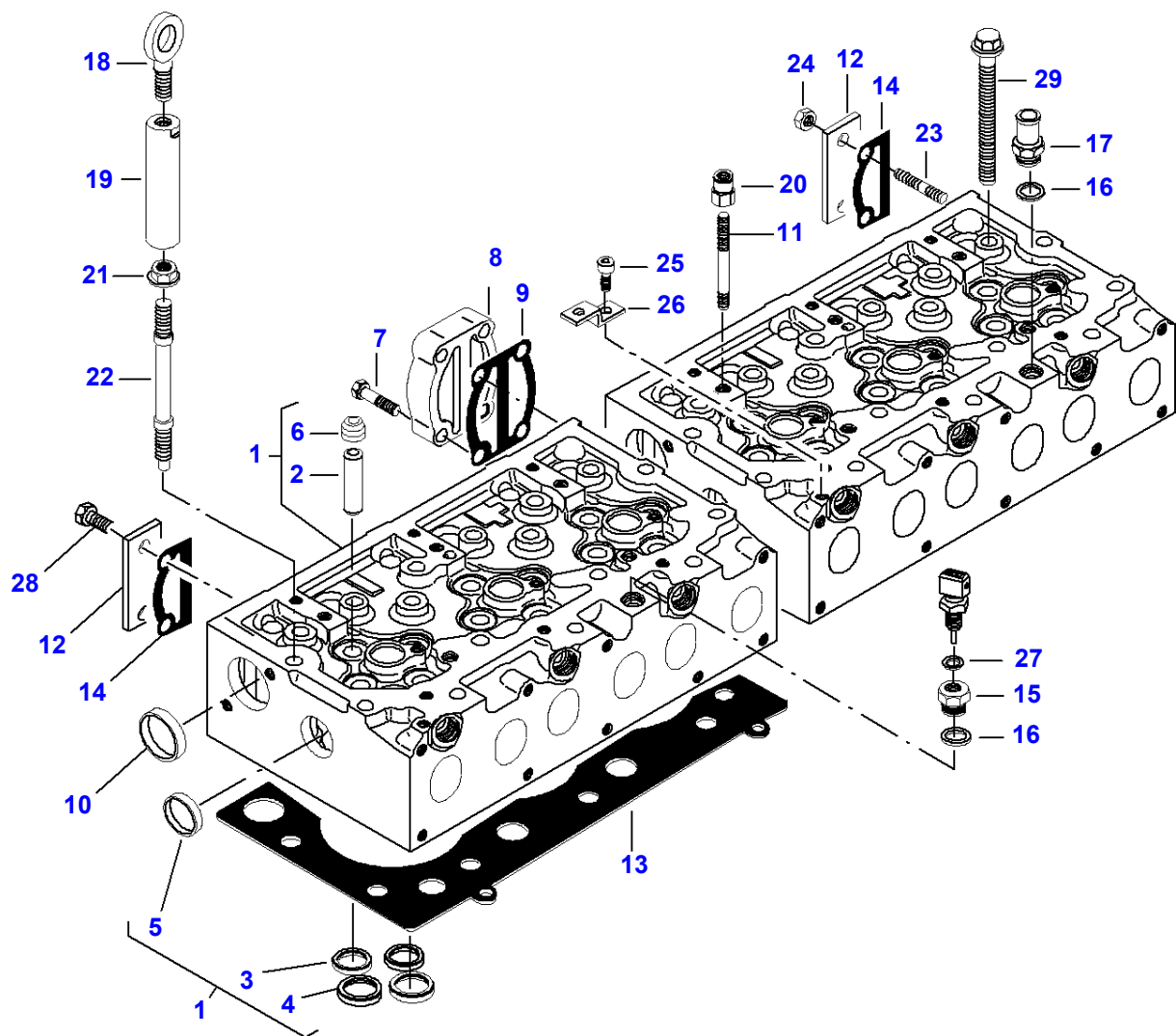


Valve Mechanism And Camshaft

Item	Part Number	Qty	Description	Comments
1	V837069016	1	Rocker Shaft	
2	V837069011	6	Rocker	[A] (1)
3	V837069023	6	Adjusting Screw	(2)
4	V512861000	6	Nut	(2)
5	V837069020	4	Plug	(1)
6	V837069013	6	Rocker	[B] (1)
7	V837069023	6	Adjusting Screw	(6)
8	V512861000	6	Nut	(6)
9	V837069019	4	Spring	(1)
10	V837069015	2	Rocker Shaft	(1)
11	V837069018	2	Bracket	(1)
12	V837069017	4	Bracket	(1)
13	V529801920	2	Screw	M10 X 85
14	V837069014	12	Pushrod	
15	V836014264	12	Tappet	
16	V837070148	1	Camshaft	
17	V603305760	1	Key	
18	V837070036	1	Gear	
19	V837073089	12	Guide	
20	V837064910	48	Cotter	
21	V837069004	24	Spring Seat	
22	V837069005	24	Spring	
23	V837069002	12	Exhaust Valve	
24	V837069003	12	Inlet Valve	
25	V837069085	1	Nut	
26	V836655406	4	Nut	

FOOTNOTE [A] FOR VALVE INLET**FOOTNOTE [B] FOR VALVE EXHAUST**

1-WH03-012-B



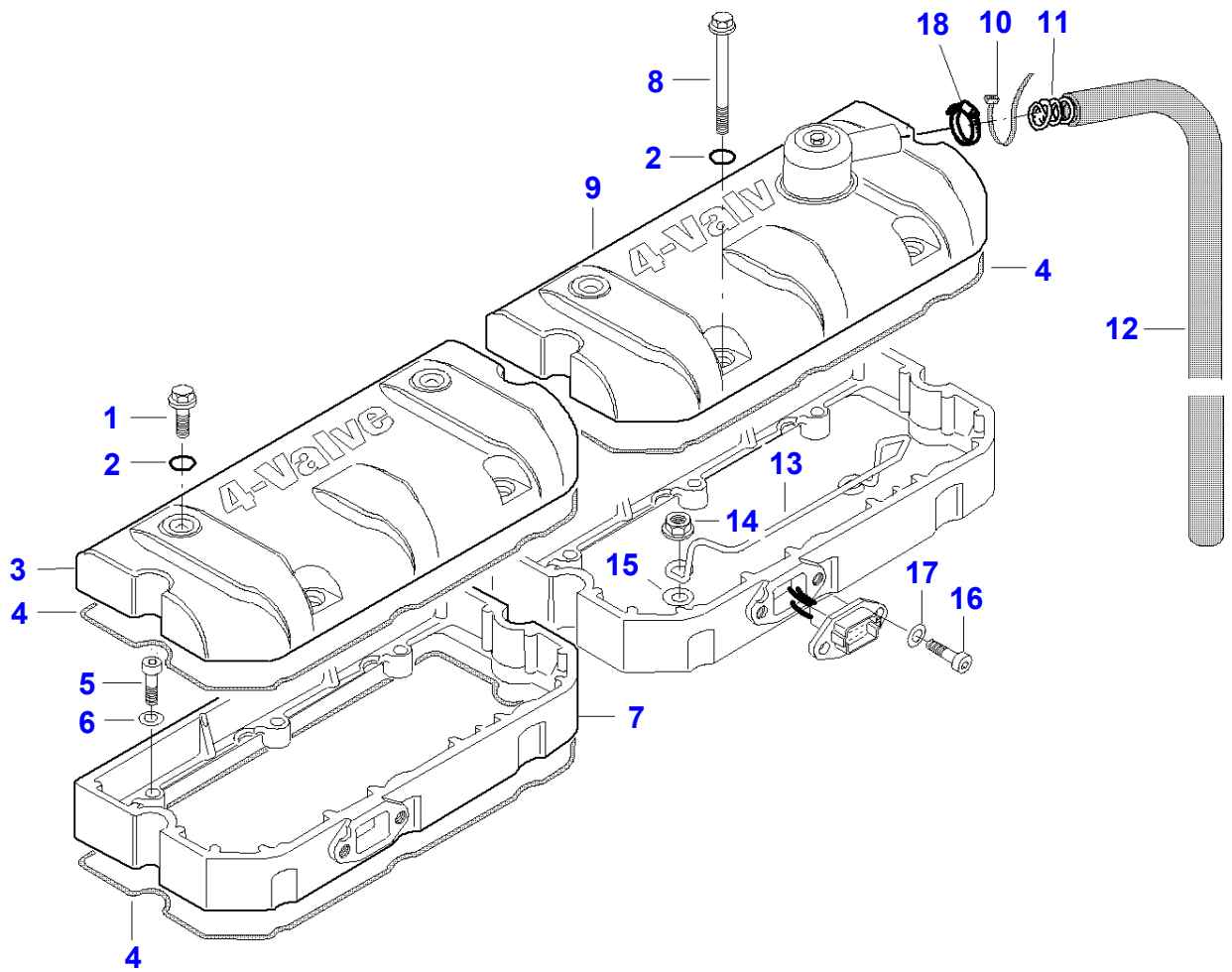
Cylinder Head

Item	Part Number	Qty	Description	Comments
1	V837069001	1	Cylinder Head	S19673
		1	Cylinder Head	S19674
				010-0105/9
2	V837073174	24	Valve Guide	(1)
3	V837064907	12	Valve Seat	[B]
				(1)
	V837070187	X	Ring	[B]
				+ 0.20 MM
4	V837064908	12	Valve Seat	[A]
				(1)
	V837070188	X	Ring	[A]
				+ 0.20 MM
5	V836647942	4	Plug	(1)
6	V837073165	24	Gasket	(1)
7	V528801830	4	Screw	M10 X 40
8	V836855348	1	Connector	
9	V836867752	1	Gasket	
10	V640016045	2	Plug	
11	V546801900	4	Stud	M10 X 75
12	V836855350	2	Plate	
13	V837070290	2	Head Gasket	
14	V836867753	2	Gasket	
15	V836119643	1	Plug	
16	V615881822	2	Seal	
17	V640325018	1	Plug	
18	V836640752	1	Shackle	
19	V836867567	2	Nut	M12/M16
20	V836655406	4	Nut	
21	V836859110	11	Nut	
22	V836859109	7	Stud	
23	V836659785	2	Stud	
24	V504601000	2	Nut	M10
25	V581804582	5	Screw	M8 X 16
26	V836747849	2	Bracket	
27	V615881420	1	Gasket	
28	V528801800	2	Bolt	M10 X 25
29	V837069025	27	Screw	

FOOTNOTE [A] FOR VALVE INLET

FOOTNOTE [B] FOR VALVE EXHAUST

1-WH23-006-B

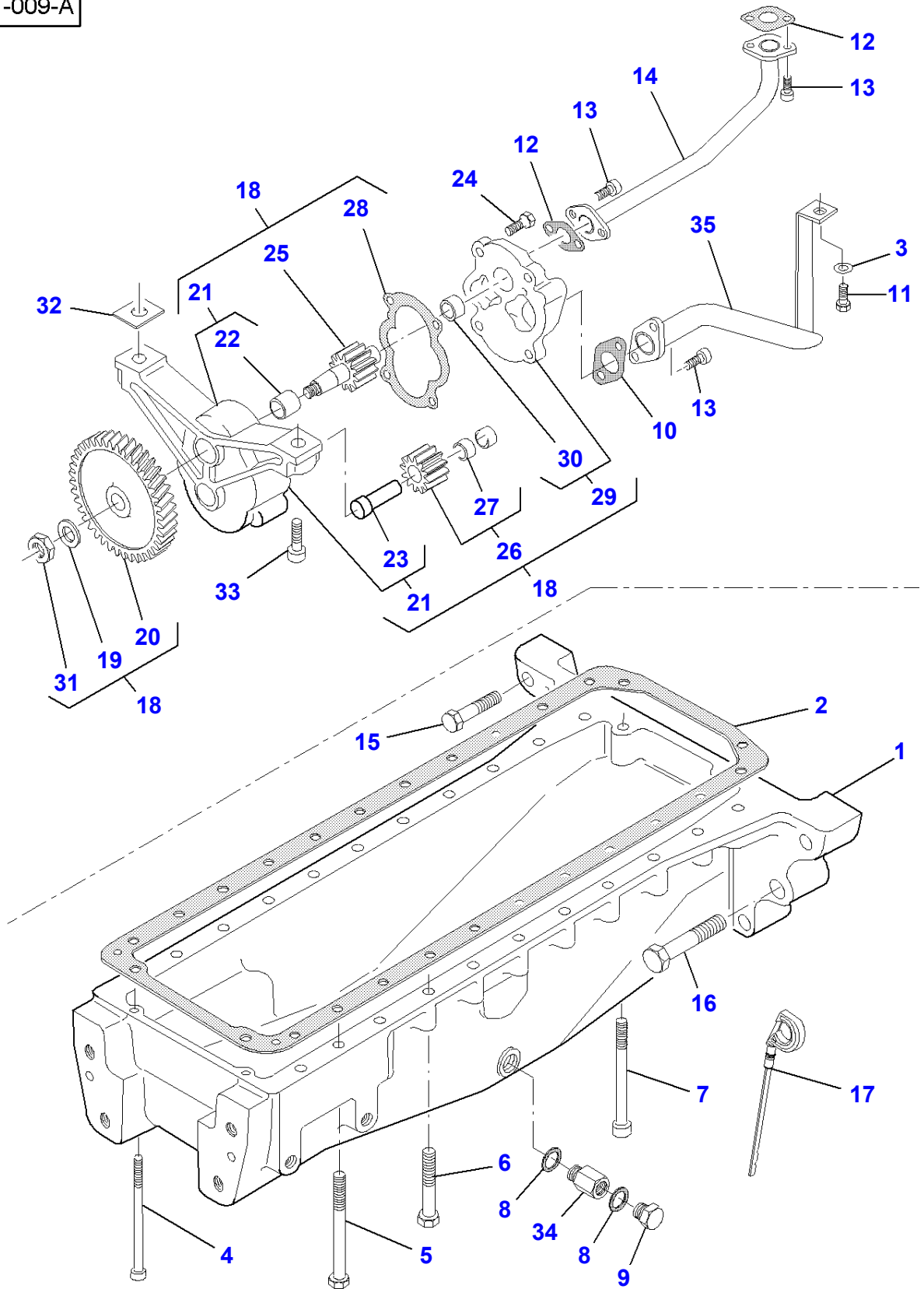


Massey Ferguson**MF 8470/8480 TRACTOR (TIER 3) - 3906071****3906071****Page010-0050****Cylinder Head Cover**

Item	Part Number	Qty	Description	Comments
1	V540801780	4	Bolt	M10 X 20
2	V614901030	8	O Ring	
3	V837069022	1	Cover	
4	V837067881	4	Gasket	
5	V581804630	6	Screw	M8 X 30
6	V500950800	6	Lock Washer	
7	V837069021	2	Frame	
8	V540801910	4	Screw	M10 X 80
9	V837069029	1	Cover	
10	V835329746	1	Cable Tie	S19673
11	V837070343	1	Spring	
12	V837070346	1	Pipe	1150 MM
13	V837069026	1	Bracket	
14	V836859110	4	Nut	
15	V500951200	4	Washer	
16	V581804582	4	Screw	S19673 M8 X 16
	V581804602	4	Screw	S19674 M8 X 20
17	V500150842	4	Washer	S19674
18	V602078532	1	Hose Clip	S19674

MF 8470/8480 TRACTOR (TIER 3) - 3906071
1-WH11-009-A

1-WH11-009-A



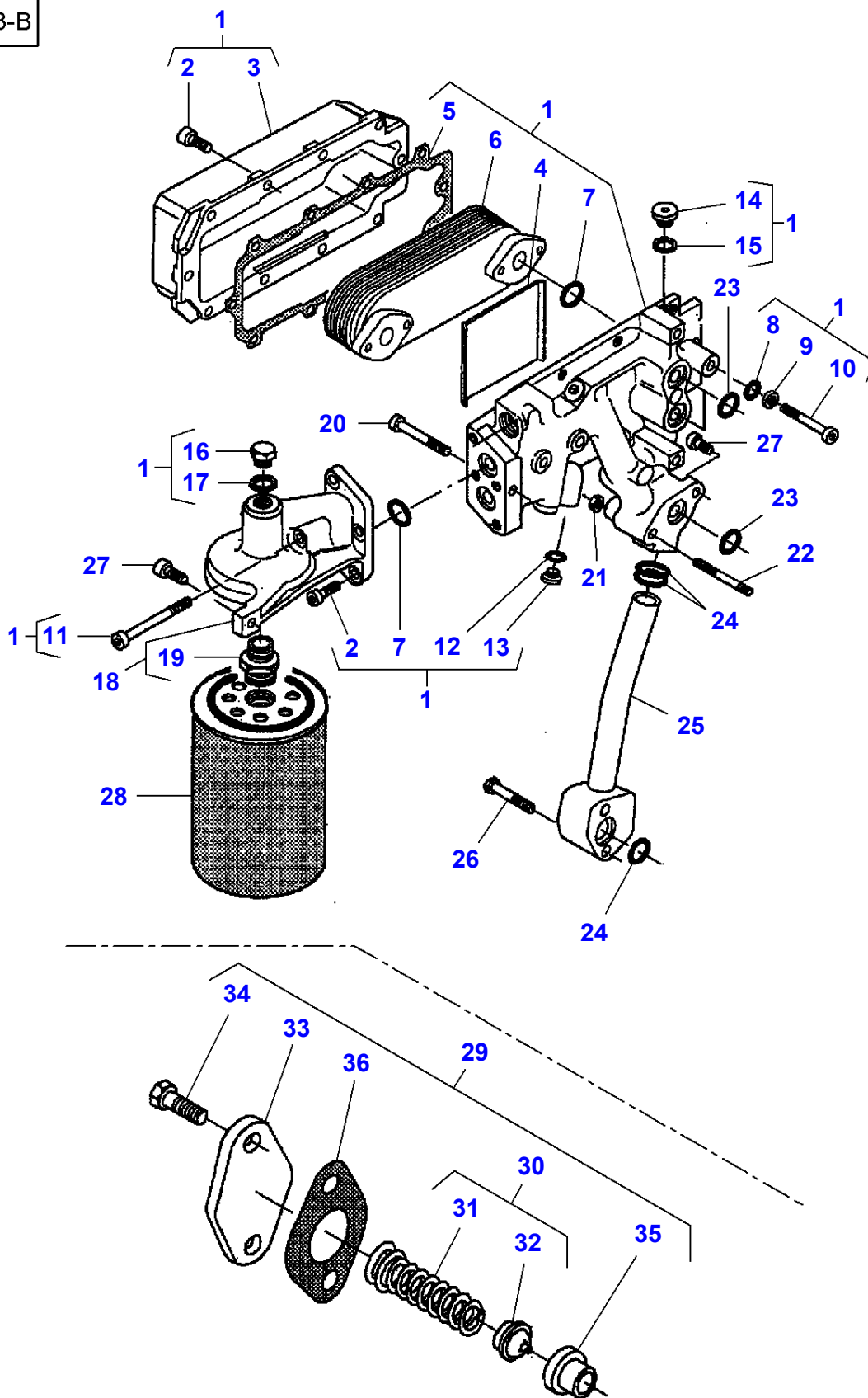
Oil Sump

Item	Part Number	Qty	Description	Comments
1	V836867688	1	Oil Sump	
2	V836322183	1	Gasket	
3	V500150840	1	Washer	
4	V581704840	2	Screw	M8 X 170
5	V529701950	6	Screw	M10 X 100
6	V529701880	16	Screw	M10 X 65
7	V581705200	2	Screw	M10 X 130
8	V615881827	2	Seal	
9	V836655493	1	Plug	M18
10	V836338201	1	Gasket	
11	V528801360	2	Screw	M8 X 16
12	V836008449	2	Gasket	
13	V581804600	1	Screw	M8 X 20
14	V836855673	1	Pipe	
15	V529903090	6	Screw	M16 X 70
16	V529904330	2	Screw	M22 X 90
17	V836867841	1	Dipstick	[A]
18	V836855300	1	Oil Pump	
19	V836122910	1	Washer	(18)
20	V836338667	1	Gear	(18)
21	V836338186	1	Frame	(18) M10
22	V836322909	1	Bush	(21)
23	V836322906	1	Shaft	(22)
24	V528801380	4	Bolt	(18)
25	V836338182	1	Gear	(18)
26	V836338180	1	Gear	(18)
27	V836322909	2	Bush	(26)
28	V836338188	1	Gasket	(18)
29	V836855297	1	Cover	(18)
30	V836322909	1	Bush	(29)
31	V504861000	1	Nut	(18) M10
32	V836007871	X	Shim	
33	V581805050	2	Screw	M10 X 40
34	V836328071	1	Union	
35	V836867727	1	Pipe	

FOOTNOTE [A] YELLOW

MF 8470/8480 TRACTOR (TIER 3) - 3906071
1-WH26-003-B

1-WH26-003-B

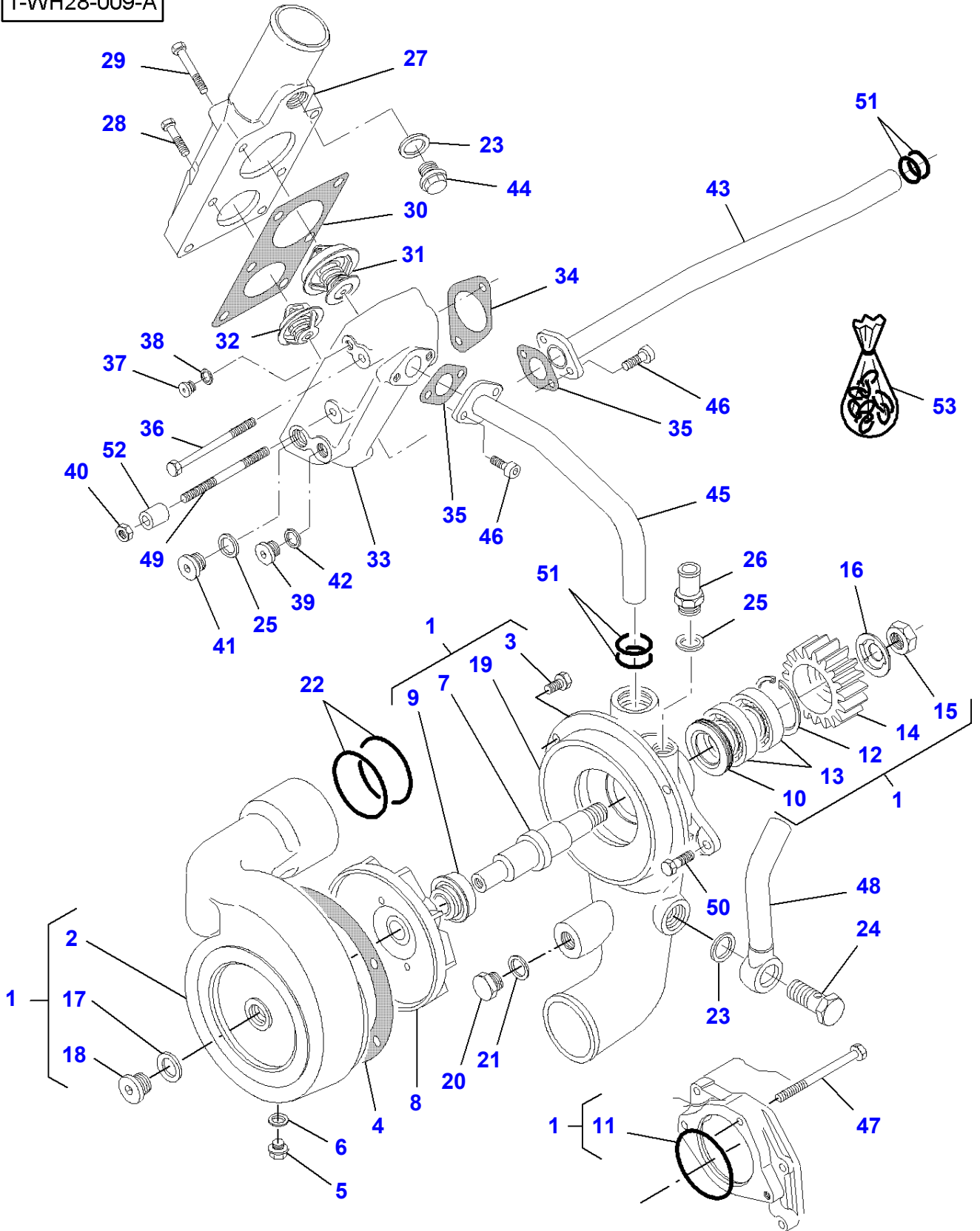


Lubricating Oil Cooler And Filter

Item	Part Number	Qty	Description	Comments
1	V836859182	1	Oil Cooler	
2	V581804620	13	Screw	(1) M8 X 25
3	V836855519	1	Housing	(1)
4	V836855521	1	Guide	(1)
5	V836855520	1	Gasket	(1)
6	V836855484	1	Element	(1)
7	V614602030	4	O Ring	(1)
8	V614600724	4	O Ring	(1)
9	V836855517	4	Washer	(1)
10	V581804690	4	Screw	(1) M8 X 60
11	V581804730	1	Screw	(1) M8 X 80
12	V615881216	1	Gasket	(1)
13	V640305012	1	Plug	(1)
14	V640325018	3	Plug	(1)
15	V615881822	3	Seal	(1)
16	V836119079	1	Plug	(1)
17	V615881620	1	Seal	(1)
18	V836859187	1	Filter Head	(1)
19	V836859105	1	Nipple	(18)
20	V581804690	2	Screw	M8 X 60
21	V504800800	2	Nut	M8
22	V546801490	2	Bolt	M8 X 70
23	V614602030	3	O Ring	
24	V614602430	3	O Ring	
25	V836859134	1	Pipe	
26	V529801460	2	Bolt	M8 X 55
27	V581804620	2	Screw	M8 X 25
28	V836862582	1	Oil Filter	
29	V836662130	1	Control Valve	
30	V836667650	1	Kit, Valve	(29)
31		1	Spring	(30)
32		1	Plate	REF. 30 (30) REF. 30
33	V836659524	1	Cover	(29)
34	V528801380	2	Bolt	(29) M8 X 20
35	V836659521	1	Valve Seat	(29)
36	V836322190	1	Gasket	(29)

MF 8470/8480 TRACTOR (TIER 3) - 3906071
1-WH28-009-A

1-WH28-009-A



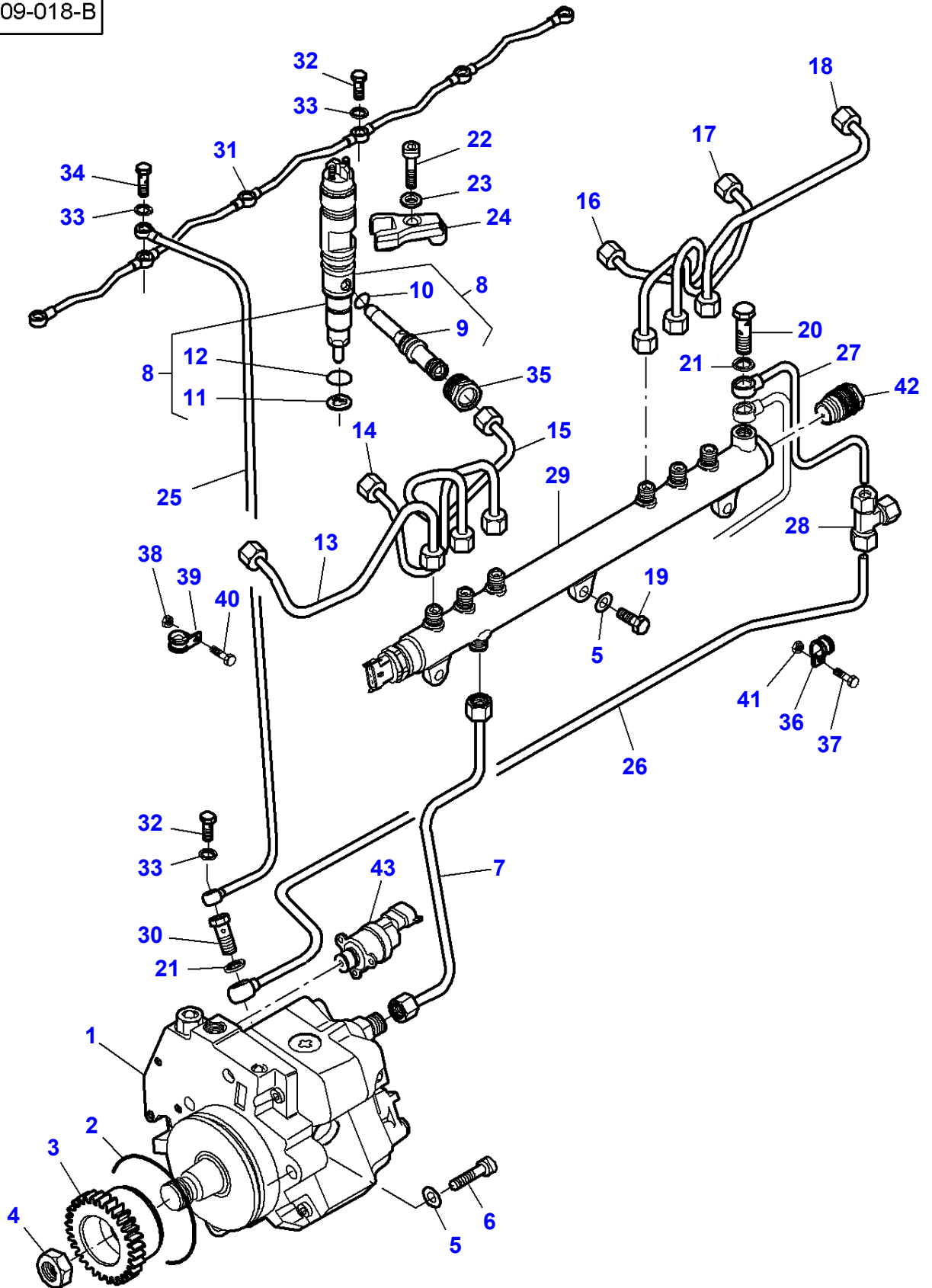
Water Pump

Item	Part Number	Qty	Description	Comments
1	V837070076	1	Water Pump	
2	V837069077	1	Housing	(1)
3	V528801362	4	Bolt	(1) M8 X 16
4	V836855625	1	Gasket	[A] (1)
5	V640305012	1	Plug	(1)
6	V615881216	1	Gasket	[A] (1)
7	V837069078	1	Shaft	[A] (1)
8	V836866735	1	Impeller	[A] (1)
9	V836859452	1	Gasket	[A] (1)
10	V614703042	1	Oil Seal	[A] (1)
11	V614607930	1	O Ring	[A] (1)
12	V617330047	1	Circlip	[A] (1)
13	V610072040	2	Bearing	[A] (1)
14	V837070074	1	Gear	(1)
15	V504601600	1	Nut	[A] (1)
16	V837070184	1	Ring	(1)
17	V615881822	1	Seal	(1)
18	V640325018	1	Plug	(1)
19	V837070018	1	Frame	(1)
20	V836119079	1	Plug	
21	V615881620	1	Seal	[A]
22	V614604958	2	O Ring	[A]
23	V615882227	3	Gasket	
24	V640435018	1	Banjo Bolt	
25	V615881822	2	Seal	
26	V836119837	1	Union	
27	V836855777	1	Pipe	
28	V529801430	4	Screw	M8 X 40
29	V529801470	2	Bolt	M8 X 60
30	V836855603	1	Gasket	
31	V836331590	1	Thermostat	83 ¹ C
32	V836015156	1	Thermostat	79 ¹ C
33	V836855601	1	Housing	
34	V836646393	1	Gasket	
35	V836322190	2	Gasket	
36	V529801550	2	Screw	M8 X 100
37	V640325110	1	Plug	
38	V615871014	1	Seal	
39	V640325014	1	Plug	
40	V504800800	1	Nut	M8
41	V640325018	1	Plug	
42	V615881418	1	Seal	
43	V836855639	1	Pipe	
44	V640045022	1	Plug	M8 X 20
45	V837070020	1	Pipe	
46	VHC9326	1	Screw	M8 X 20
47	V529801520	3	Screw	M8 X 85
48	V836867873	1	Pipe	
49	V546801580	1	Stud	M8 x 130
50	V528801380	1	Bolt	M8 X 20
51	V614602430	4	O Ring	
52	V835336842	1	Sleeve	
53	V837062617	1	Kit, Repair	

FOOTNOTE [A] INCLUDED IN REPAIR KIT V837062617

MF 8470/8480 TRACTOR (TIER 3) - 3906071
1-WH09-018-B

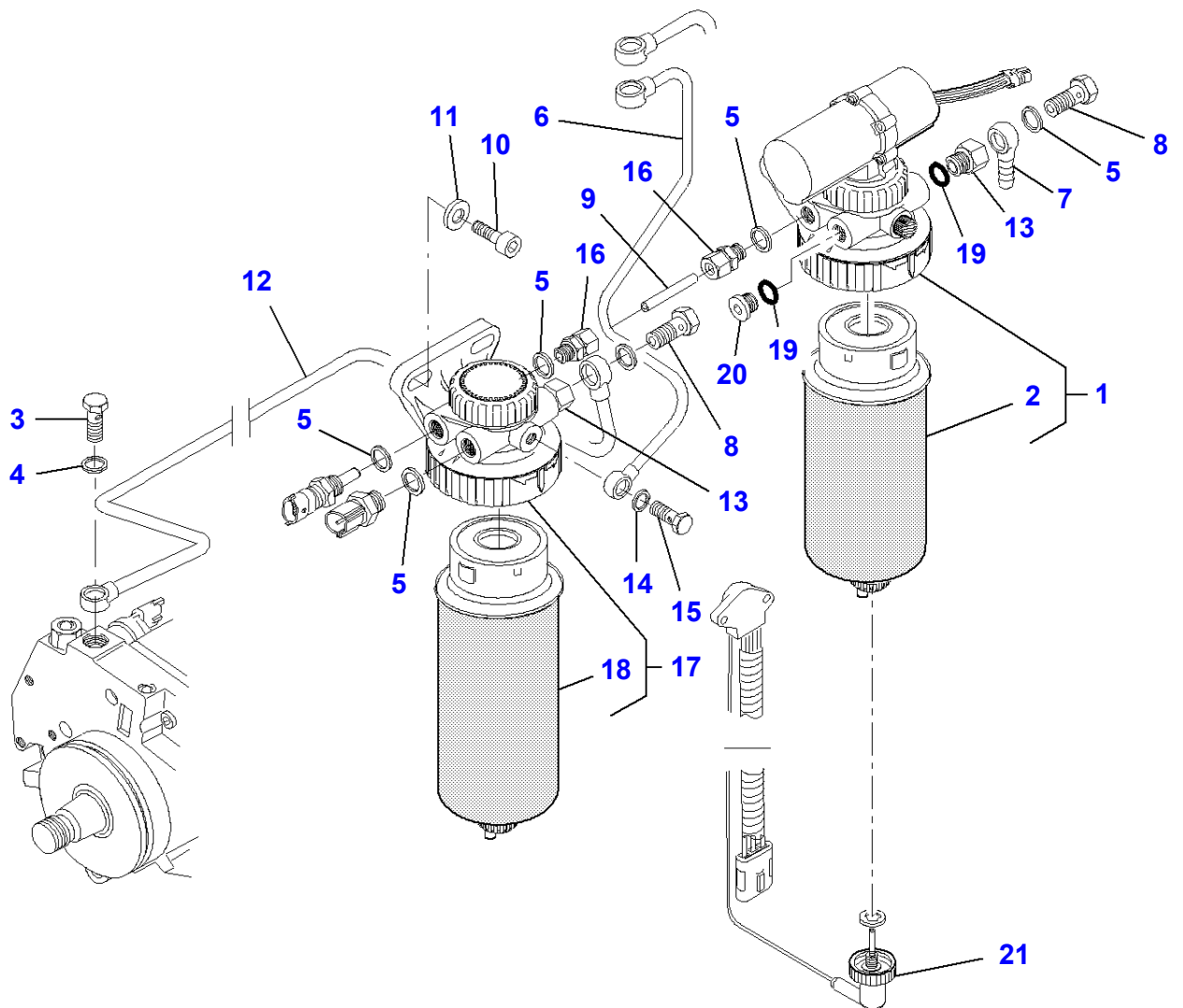
1-WH09-018-B



Injection System

Item	Part Number	Qty	Description	Comments
1	V837069146	1	Injection Pump	
2	V837069147	1	O Ring	
3	V837070073	1	Gear	
4	V504611802	1	Nut	M18
5	V500950800	4	Lock Washer	
6	V581704650	3	Screw	M8 X 40
7	V837070249	1	Pipe	
8	V837062629	6	Injector	
9		1	Tube	(8) REF. 8
10	V837069314	1	Ring	(8)
11	V837069032	1	Seal	(8)
12	V837069313	1	Seal	(8)
13	V837070077	1	Fuel Line	CYL. No 1
14	V837070078	1	Fuel Line	CYL. No 2
15	V837070079	1	Fuel Line	CYL. No 3
16	V837070080	1	Fuel Line	CYL. No 4
17	V837070081	1	Fuel Line	CYL. No 5
18	V837070082	1	Fuel Line	CYL. No 6
19	V528801380	3	Bolt	M8 X 20
20	V640425008	1	Screw	
21	V615881216	5	Gasket	
22	V581704660	6	Screw	M8 X 45
23	V837070121	6	Washer	
24	V837069007	6	Fastener	
25	V837070277	1	Fuel Pipe	
26	V837070258	1	Fuel Pipe	
27	V837070255	1	Fuel Pipe	
28	V641436008	1	Union	
29	V837069050	1	Fuel Pipe	
30	V837070314	1	Screw	
31	V837069027	1	Pipe	
32	V640435005	6	Banjo Bolt	
33	V615870812	14	Gasket	
34	V640425005	1	Screw	
35	V837069268	6	Nut	
36	V602074608	3	Clamp	
37	V528801082	3	Screw	M6 X 20
38	V510600502	1	Nut	M5
39	V602070605	1	Band	
40	V528800782	1	Screw	M5 X 20
41	V510600602	3	Nut	M6
42	V837069409	1	Pressure Valve	
43	V837071191	1	Control Valve	

1-WH14-015-B



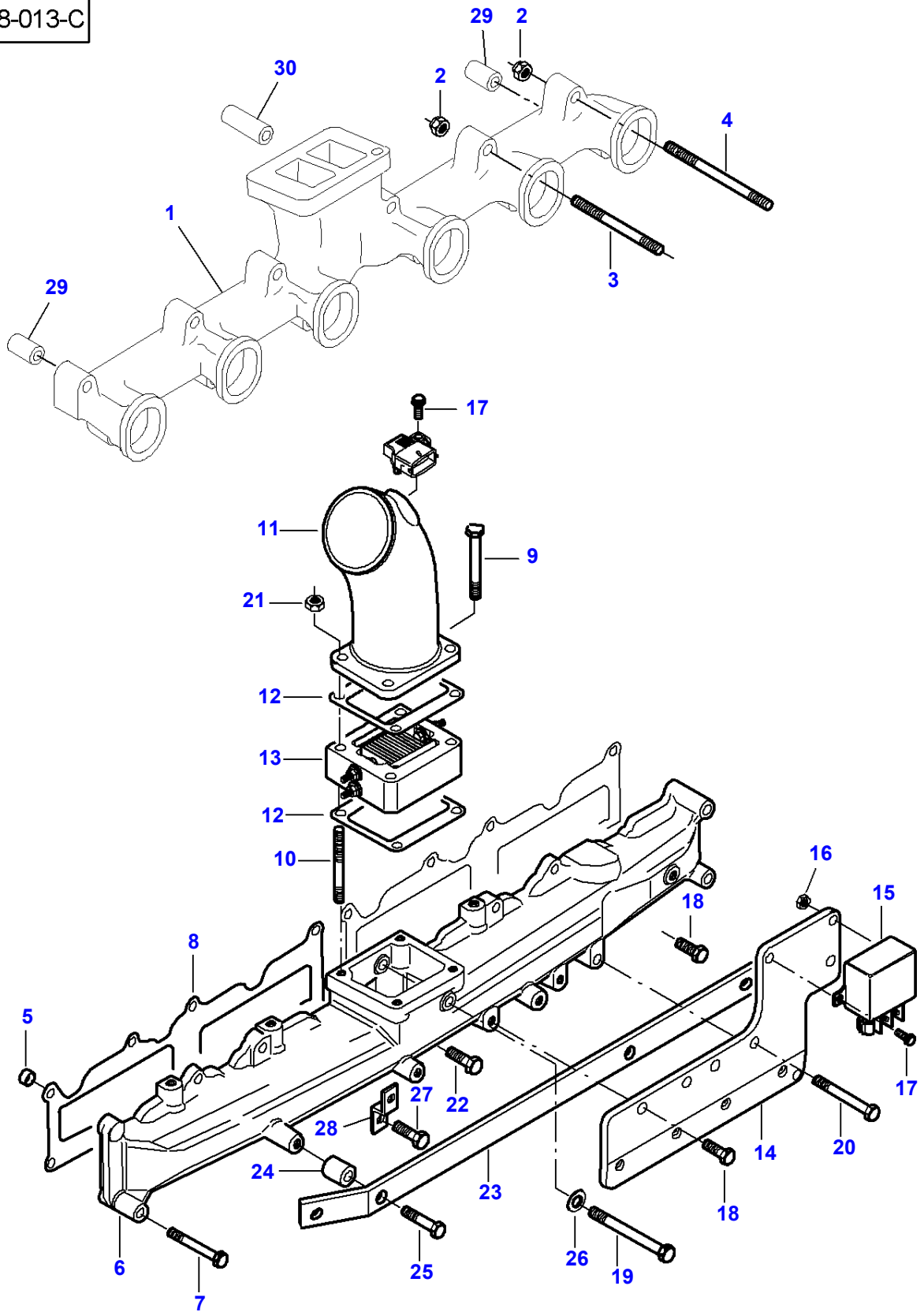
Low Pressure Fuel System

Item	Part Number	Qty	Description	Comments
1	V836867832	1	Pre Filter	
2	V836867591	1	Fuel Element	(1)
3	V640435008	1	Banjo Bolt	
4	V615881216	2	Gasket	
5	V615881420	10	Gasket	
6	V837070253	1	Fuel Pipe	
7	V640255210	1	Pipe	
8	V640435010	2	Screw	
9	V837070223	1	Fuel Line	
10	V581705030	4	Screw	M10 X 30
11	V836122910	4	Washer	S19673
	V500151050	4	Washer	S19674
12	V837070252	1	Fuel Pipe	
13	V836336934	2	Union	
14	V615871014	2	Seal	
15	V640435006	1	Banjo Bolt	
16	V641086010	2	Union	
17	V836867830	1	Fuel Filter	
18	V836867595	1	Fuel Element	(17)
19	V614601125	2	O Ring	
20	V640325014	2	Plug	
21	V836866576	1	Sensor	[A]

FOOTNOTE [A] WATER

MF 8470/8480 TRACTOR (TIER 3) - 3906071
1-WH18-013-C

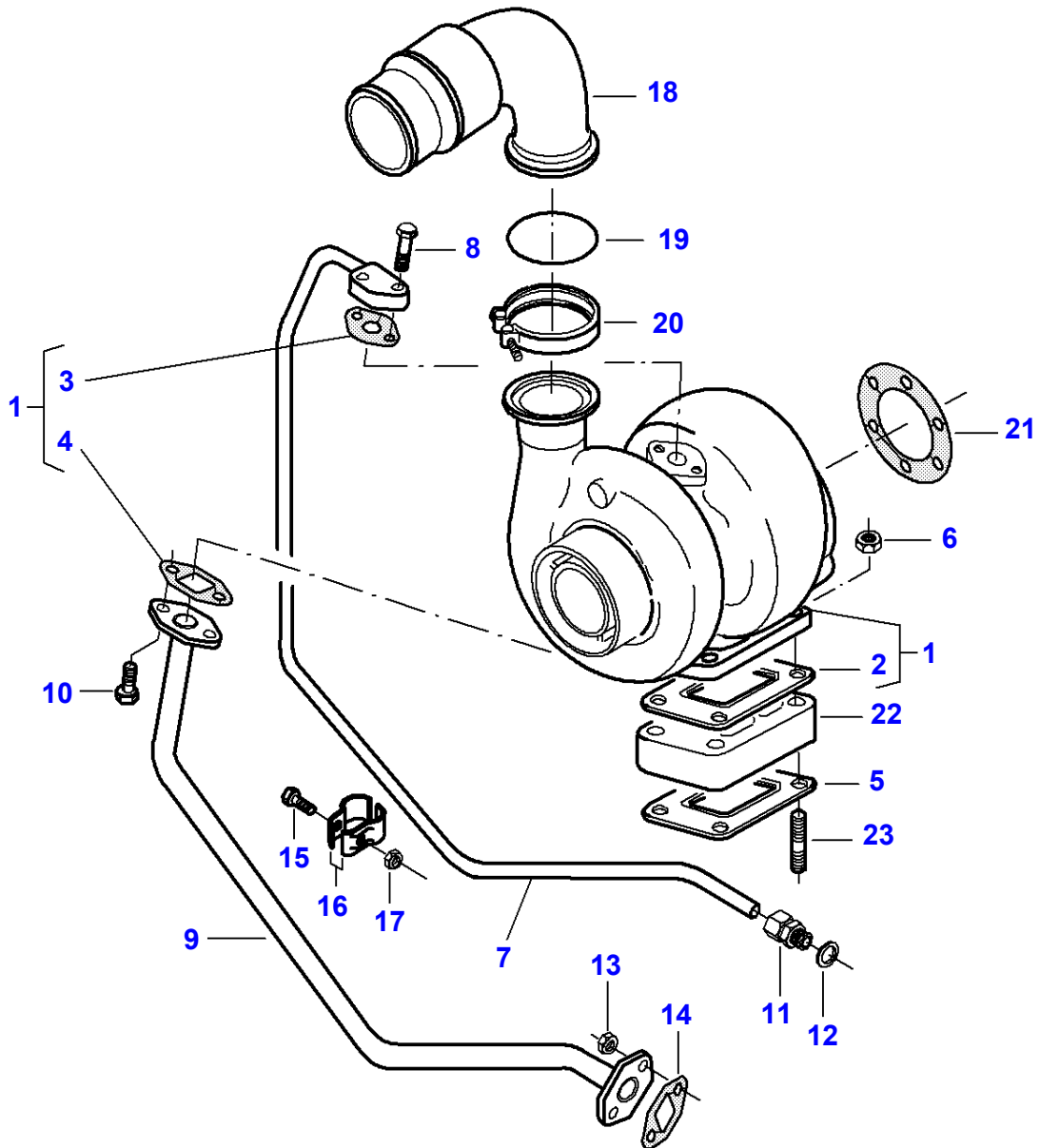
1-WH18-013-C



Air Induction & Exhaust

Item	Part Number	Qty	Description	Comments
1	V837070392	1	Exhaust Manifold	S19373
	V836855506	1	Exhaust Manifold	S19674
2	V513601002	12	Nut	
3	V836855995	5	Stud	S19673
	V836859034	5	Stud	M10 X 113 S19674
4	V836859034	7	Stud	M10 X 130 S19673
	V836667960	7	Stud	M10 X 130 S19674
				M10 X 150
5	V598355365	1	Dowel	
6	V837070219	1	Intake Manifold	
7	V529801470	2	Bolt	M8 X 60
8	V837069009	2	Gasket	
9	V529801480	2	Bolt	M8 X 65
10	V546801490	2	Bolt	S19673 M8 X 70
11	V837067825	1	Pipe	
12	V837067345	2	Gasket	
13	V837067295	1	Heater	12V
14	V837070228	1	Plate	
15	V837069047	1	Solenoid	12V
16	V510600602	2	Nut	M6
17	V528801082	3	Screw	M6 X 20
18	V528801400	3	Bolt	M8 X 25
19	V528901550	1	Screw	M8 X 100
20	V529801530	3	Screw	M8 X 90
21	V504800800	2	Nut	S19673 M8
22	V528801410	6	Adjusting Screw	M8 X 30
23	V837070328	1	Support	
24	V836119384	1	Sleeve	
25	V529801440	2	Bolt	M8 X 45
26	V836015967	1	Washer	
27	V528801420	1	Bolt	M8 X 35
28	V836747849	1	Bracket	
29	V836664013	2	Spacer 45 MM
30	V836673013	10	Spacer 57 MM

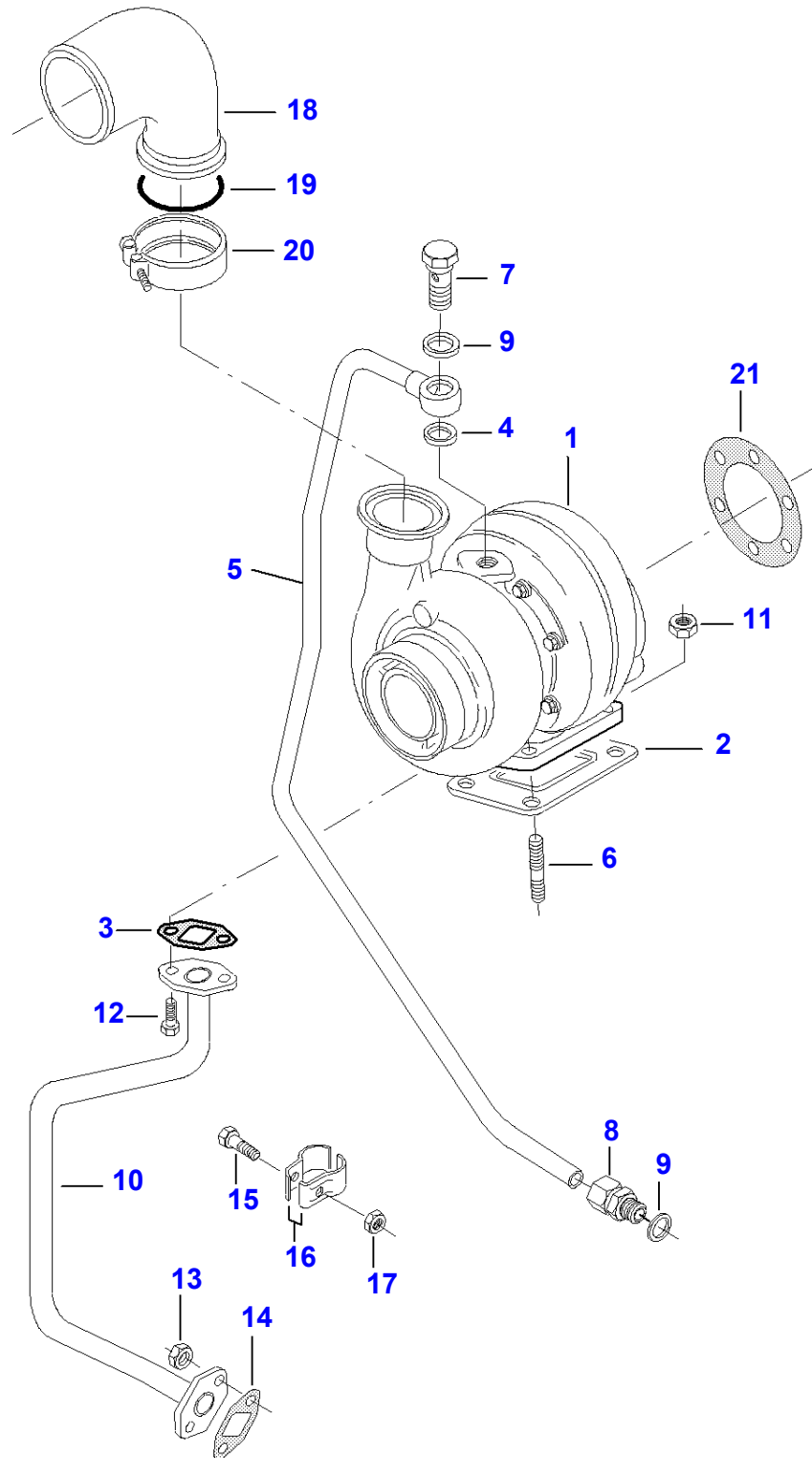
1-WH24-006-A



Massey Ferguson**MF 8470/8480 TRACTOR (TIER 3) - 3906071****3906071****Page010-0085****Turbocharger - Pipes**

Item	Part Number	Qty	Description	Comments
1	V836866221	1	Turbocharger	
2	V836316726	1	Gasket	(1)
3	V836866808	1	Gasket	(1)
4	V836866809	1	Gasket	(1)
5	V836316726	1	Gasket	
6	V521601000	4	Nut	M10
7	V836859493	1	Tail Pipe	
8	V528801410	2	Adjusting Screw	M8 X 30
9	V836859117	1	Tube	
10	V528801380	2	Bolt	M8 X 20
11	V641086012	1	Union	
12	V615881620	1	Seal	
13	V504800800	2	Nut	
14	V836866809	1	Gasket	
15	V529801112	2	Screw	M6 X 30
16	V835324324	4	Bracket	
17	V504600602	2	Nut	M6
18	V836866381	1	Pipe	
19	V614606225	1	O Ring	
20	V836866454	1	Clamp	
21	V836338985	1	Gasket	
22	V836855630	1	Bridle	
23	V546701850	4	Bolt	M10 X 50

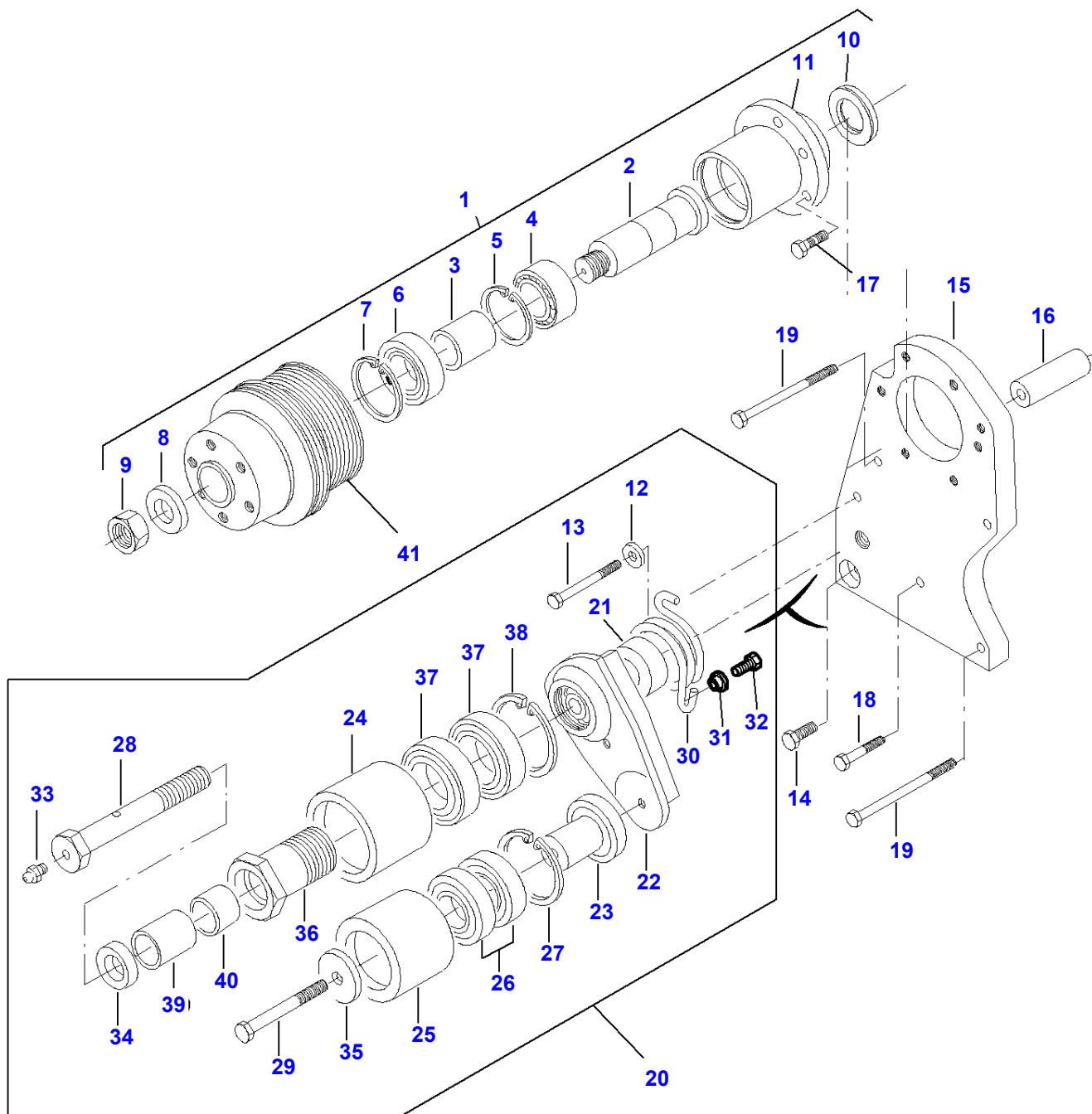
1-WH24-008-A



Massey Ferguson**MF 8470/8480 TRACTOR (TIER 3) - 3906071****3906071****Page010-0090****Turbocharger - Pipes**

Item	Part Number	Qty	Description	Comments
1	V836840885	1	Turbocharger	
2	V836840992	1	Gasket	
3	V836866809	1	Gasket	
4	V615881420	1	Gasket	
5	V837067961	1	Tail Pipe	
6	V546701800	4	Stud	M10 X 25
7	V836855714	1	Screw	
8	V641086012	1	Union	
9	V615881622	2	Seal	
10	V837067962	1	Pipe	
11	V521601000	4	Nut	
12	V528801380	2	Bolt	M8 X 20
13	V504800800	2	Nut	M8
14	V836866809	1	Gasket	
15	V529801112	1	Screw	M6 X 30
16	V835324324	1	Bracket	
17	V504600602	1	Nut	M6
18	V836867533	1	Pipe	
19	V614605930	1	O Ring	
20	V836840930	1	Clamp	
21	V886325175	1	Gasket	

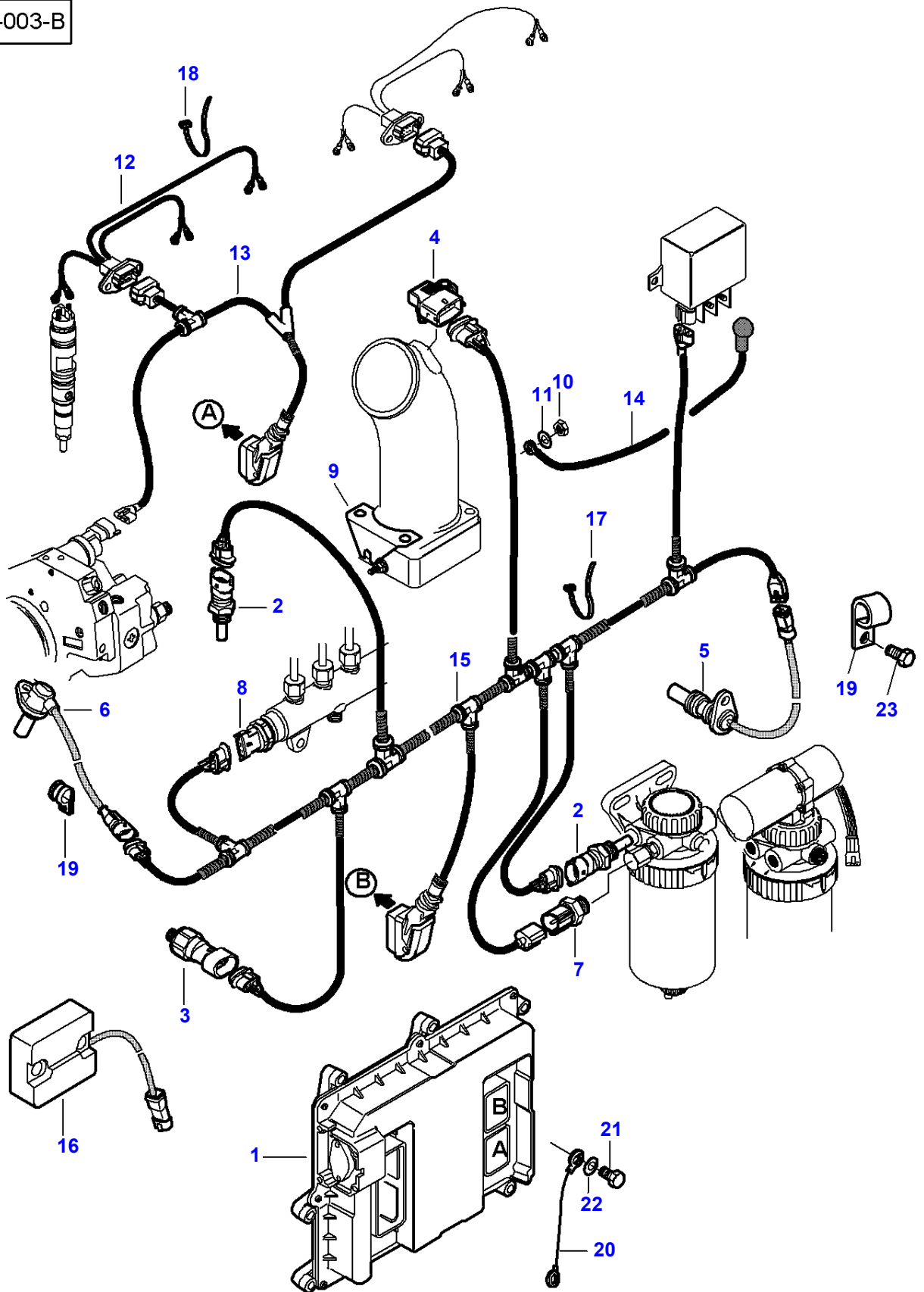
1-WH29-002-B



Belt Tensioner

Item	Part Number	Qty	Description	Comments
1	V836859119	1	Kit, Shaft	
2	V836859121	1	Shaft	(1)
3	V836859122	1	Sleeve	(1)
4	V610032060	1	Bearing Assy	(1)
5	V617350062	1	Circlip	(1)
6	V610063064	1	Bear. 6306 Rs	(1)
7	V617330072	1	Circlip	(1)
8	V836855756	1	Washer	(1)
9	V504602002	1	Nut	(1)
10	V836529872	1	Plug	(1)
11	V836859120	1	Hub	(1)
12	V836120989	1	Flat Washer	S19673
	V836667934	1	Washer	S19674
13	V529801490	1	Screw	M8 X 70
14	V528801800	1	Bolt	M10 X 25
15	V836859989	1	Plate	
16	V836855934	2	Sleeve	
17	V528801810	6	Screw	M10 X 30
18	V529801470	1	Bolt	M8 X 60
19	V529801562	3	Screw	M8 X 110
20	V836864296	1	Tensioner	
21	V836859348	1	Shaft	(20)
22	V836859347	1	Support	(20)
23	V836855789	1	Shaft	(20)
24	V836859683	1	Roll	(20)
25	V836855666	1	Roll	(20)
26	339581X1	2	Bear. 6205 2rs	(20)
27	V617330052	1	Circlip	(20)
28	V836859357	1	Screw	(20)
29	V529701880	1	Screw	(20)
				M10 X 65
30	V836855689	1	Spring	(20)
31	V836120989	1	Flat Washer	(20)
				S19673
	V836667934	1	Washer	S19674
32	V528801360	1	Screw	(20)
				M8 X 16
33	V644611006	1	Grease Fitting	(20)
34	V836859356	1	Plate	(20)
35	V836855941	1	Plate	(20)
36	V836859684	1	Shaft	(20)
37	V610060085	2	Bearing Assy	(20)
38	V617330068	1	Circlip	(20)
39	V836859364	1	Bush	(20)
40	V836859363	1	Bush	(20)
41	V836867773	1	Pulley	

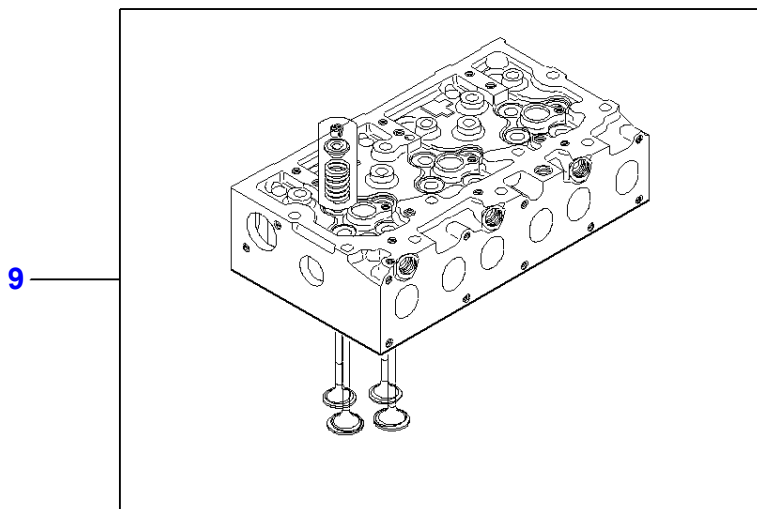
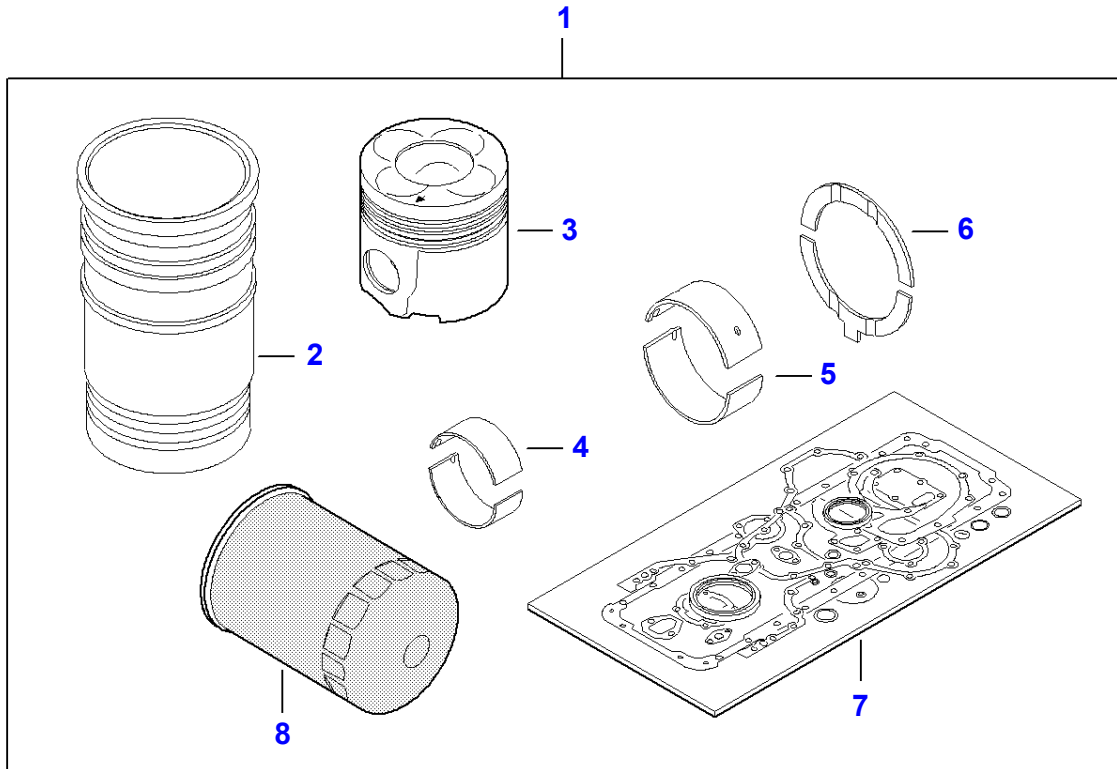
1-WH40-003-B



Electronic Engine Management

Item	Part Number	Qty	Description	Comments
1	V837069216	1	Control Unit	
2	V836667732	2	Sensor	
3	V837070201	1	Sensor	
4	V836666980	1	Sensor	
5	V837069150	1	Speed Sensor	
6	V837070189	1	Speed Sensor	
7	V837070209	1	Pressure Switch	
8	V837069410	1	Sensor	
9	V837070130	1	Earth Strap	S19673
10	V504600602	2	Nut	M6
11	V500050642	2	Washer	
12	V837070048	2	Harness	
13	V837070049	2	Harness	
14	V837070055	1	Wire	
15	V837070050	1	Harness	
16	V837070198	1	Module	
17	V651754720	5	Cable Tie	
18	V651755320	10	Cable Tie	
19	V602060610	2	Band	
20	V837070292	1	Earth Strap	
21	V528801360	1	Screw	M8 X 16
22	V500150842	1	Washer	
23	V528801400	1	Bolt	M8 X 25

1-WH30-003-A



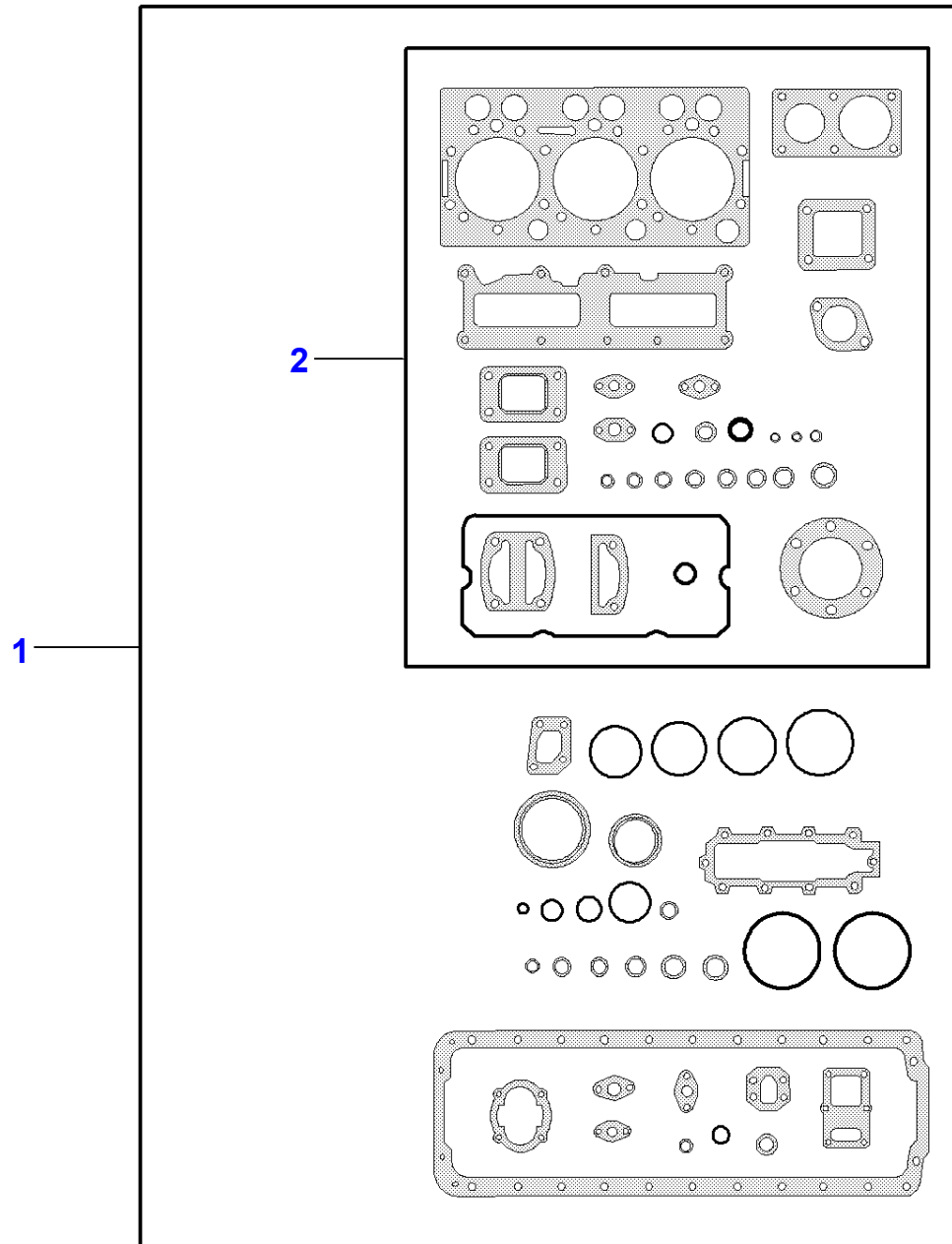
Massey Ferguson**MF 8470/8480 TRACTOR (TIER 3) - 3906071****3906071****Engine Repair Kits - Piston- Cylinder Head With Valves****Page010-0105**

Item	Part Number	Qty	Description	Comments
1	V837062650	1	Kit, Repair	
2	V836867048	6	Liner	(1)
3	V837070185	6	Piston	(1)
4	V836336302	6	Bearing	(1)
5	V836840944	7	Main Bearing	(1)
6	V836840945	2	Thrust Washer	(1)
7	V837062628	1	Kit, Gasket	(1)
8	V836862582	1	Oil Filter	(1)
9	V837062565	2	Cylinder Head	S19673
	V837073233	2	Cylinder Head	[A] S19674
	V837073234	1	Cylinder Head	[B] S19674

FOOTNOTE [A] FRONT

FOOTNOTE [B] REAR

1-WH15-008-A



Massey Ferguson

MF 8470/8480 TRACTOR (TIER 3) - 3906071

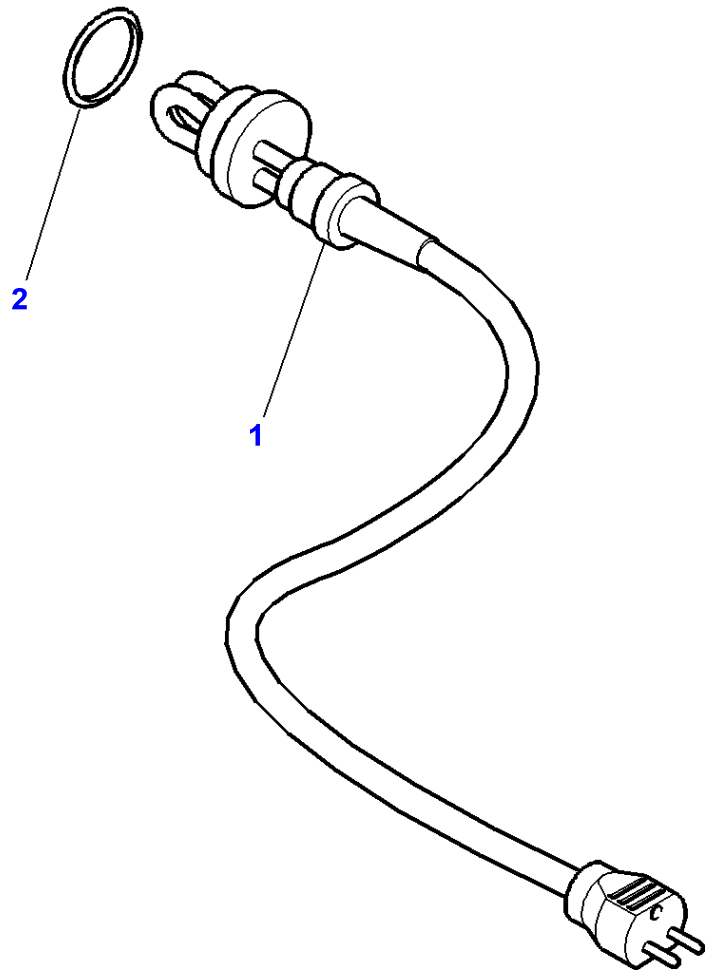
3906071

Engine Gaskets Sets

Page010-0110

Item	Part Number	Qty	Description	Comments
1	V837062628	1	Kit, Gasket	
2	V837062627	1	Kit, Gasket	(1)

1-WC38-004-A



Massey Ferguson

MF 8470/8480 TRACTOR (TIER 3) - 3906071

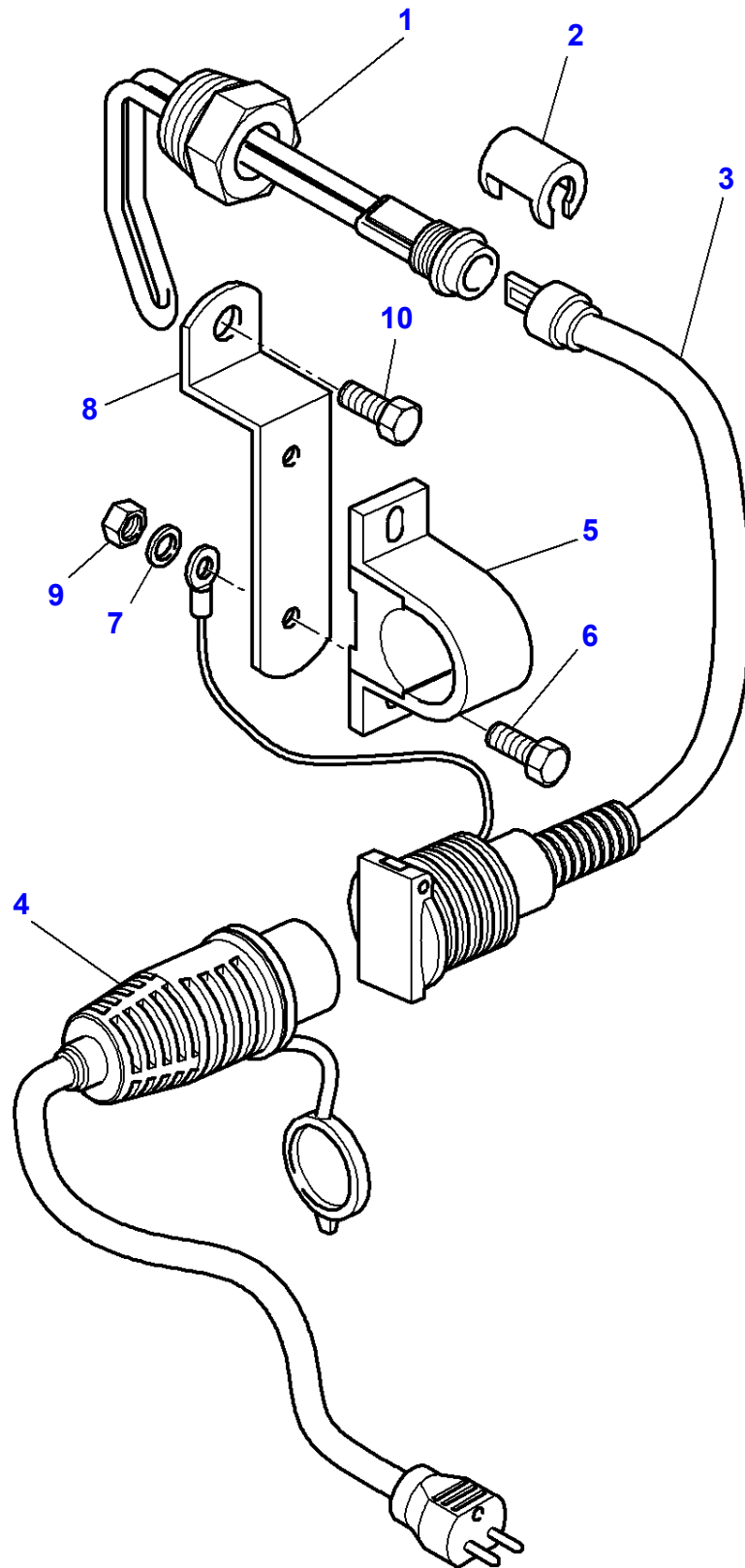
3906071

Heater Engine Block - 110 V

Page010-0115

Item	Part Number	Qty	Description
1	V836840934	1	Heater
2	V836840998	1	O Ring

1-WC38-003-B

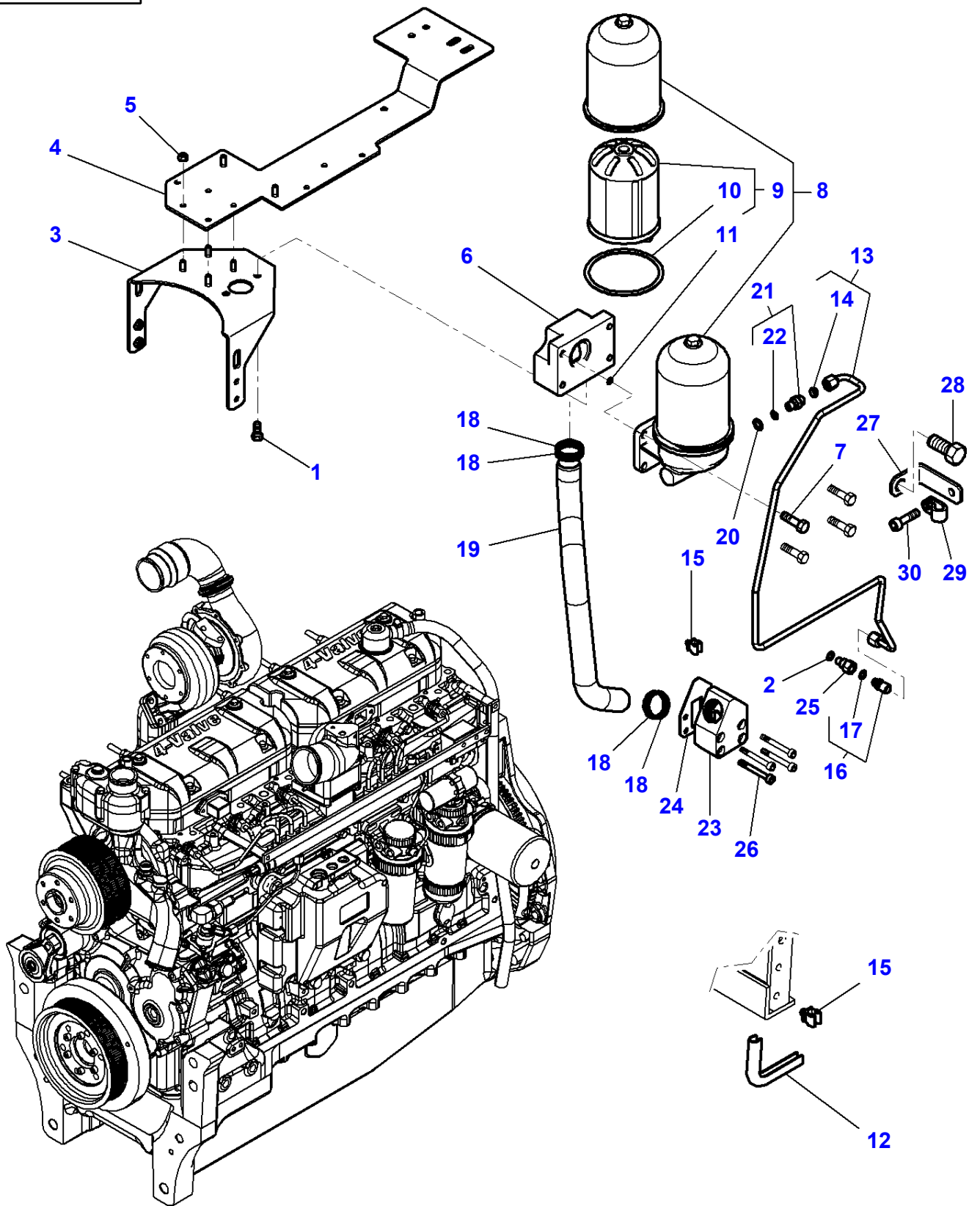


Massey Ferguson**MF 8470/8480 TRACTOR (TIER 3) - 3906071****3906071****Heater Engine Block - 220 V****Page010-0120**

Item	Part Number	Qty	Description	Comments
1	3615752M2	1	Element	
2	3611974M2	1	Clip	
3	4270172M1	1	Harness	
4	4270169M1	1	Lead	
5	4270098M1	1	Clamp	
6	3010567X1	2	Carriage Bolt	M5 X 16
7	339381X1	1	Spring Washer	
8	4270462M1	1	Support	
9	3010477X1	2	Nut Metric	M5
10	339124X1	1	Bolt	M8 X 16

MF 8470/8480 TRACTOR (TIER 3) - 3906071
1-WA13-001-B

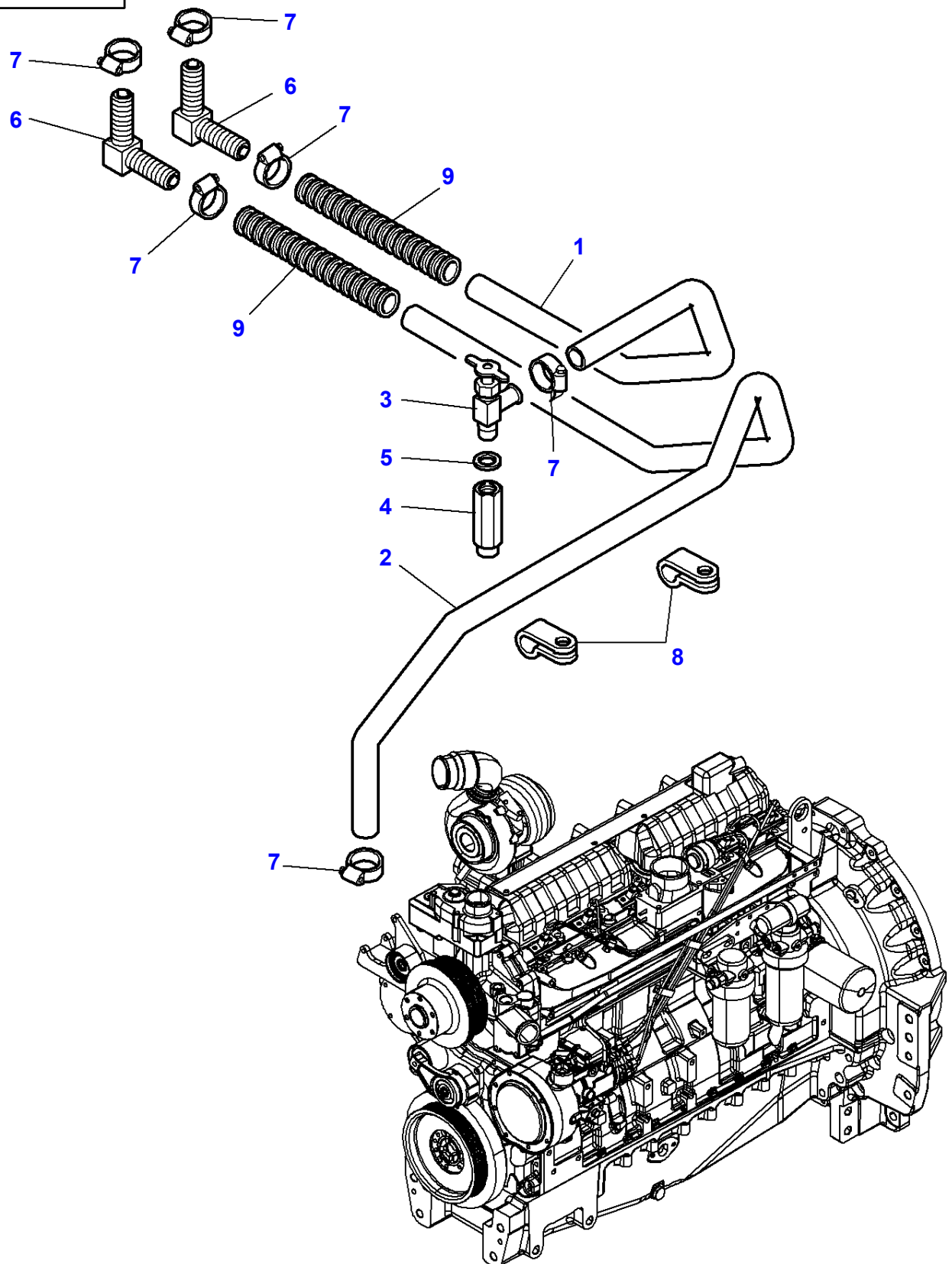
1-WA13-001-B



Centrigual Oil Filter

Item	Part Number	Qty	Description	Comments
1	3010922X1	2	Hex. Sock. Screw	M14 X 30
2	V615871014	1	Seal	
3	4289116M3	1	Support	
4	4289071M5	1	Plate	
5	339402X1	4	Nut	M10
6	4288065M3	1	Manifold	
7	3009493X1	4	Bolt	M10 X 30
8	V836359603	1	Oil Filter	
9	V836362228	1	Kit, Rotor Assy.	(8)
10	V836362229	1	Gasket	(9)
11	V836664226	1	O Ring	(8)
12	4290252M1	1	Staple	305 MM
13	4286128M94	1	Pipe	
14	3011804X1	1	Bush	(13)
15	X668.468.201.000	1	Cable Clamp	
16	3011618X91	1	Union	
17	338760X1	1	O Ring	(16)
18	3012016X1	4	O Ring	
19	4287910M92	1	Tube	
20	3004861X1	1	Seal	12 MM R327070
21	3011294X91	1	Union	
22	338923X1	1	Gasket	(21)
23	V837067969	1	Adapter	
24	V836866958	1	Gasket	
25	V836120022	1	Connection	
26	3009288X1	4	Screw Metric	M8 X 50
27	4291295M1	1	Support	S024053
28	391180X1	1	Hex. Sock. Screw	M14 X 25 S024053
29	3581132M1	1	Clip	8 S024053
30	3009281X1	1	Screw	M6 X 16 S024053

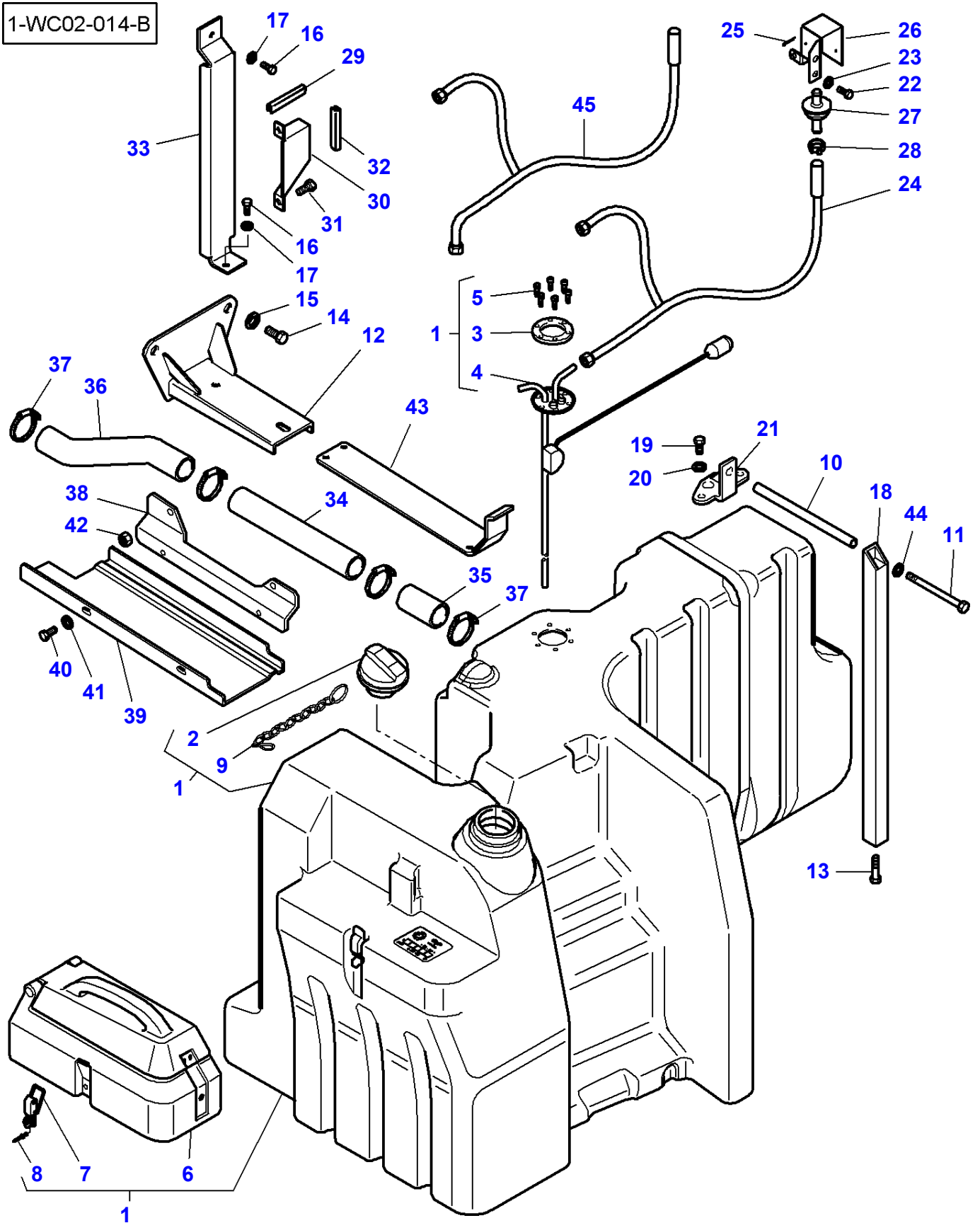
1-WC28-004-B



Massey Ferguson**MF 8470/8480 TRACTOR (TIER 3) - 3906071****3906071****Cab Heating System - Engine Part****Page010-0130**

Item	Part Number	Qty	Description	Comments
1	4277373M1	1	Hose	1100 MM
2	3387945M1	1	Hose	2200 MM
	4277817M1	1	Hose	S025008 16-23 MM 2170 MM S025009
3	30-3076830	1	Valve	
4	5015331M1	1	Adaptor	
5	339526X1	1	Seal	18-24 X 1,5
6	3788222M1	2	Elbow	
7	3820729M1	6	Hose Clip	
8	3581424M1	2	Clip	30 - M8
9	4282254M1	2	Sheath	R285063

MF 8470/8480 TRACTOR (TIER 3) - 3906071
1-WC02-014-B

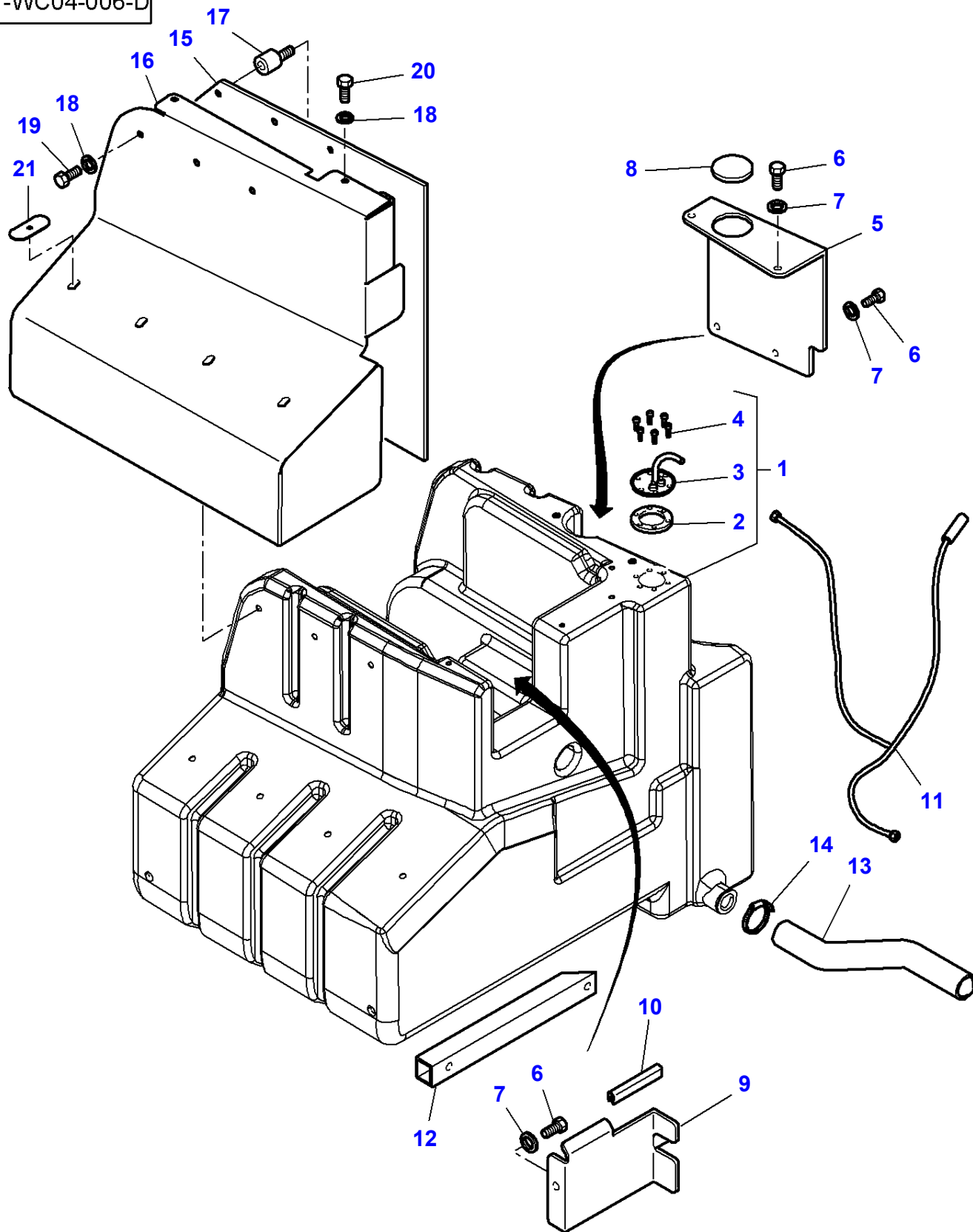


Fuel Tank & Attachments

Item	Part Number	Qty	Description	Comments
1	4275493M93	1	Tank	S204071 350L
	4275493M95	1	Tank	S204072 350L
2	4280585M1	1	Plug	(1)
3	4279002M1	1	Gasket	(1)
4	4279578M2	1	Fuel Gauge	(1)
	4292555M91	1	Fuel Gauge	S204071 (1) S204072
5	3005728X1	6	Self Tap Screws	(1) No 10 X 16
6	3786754M91	1	Tool Box	(1)
7	3786764M1	1	Latch	(1)
8	3005728X1	2	Self Tap Screws	(1) No 10 X 16
9	4275605M1	1	Chain	(1)
10	4279591M1	1	Tube	148 MM
11	3011649X1	1	Screw	M10 X 180
12	4275582M2	1	Support	
13	390122X1	1	Hex. Sock. Screw	M10 X 80
14	391269X1	2	Hex. Sock. Screw	M16 X 30
15	1441664X1	2	Flat Washer	16-30 X 3
16	3009491X1	2	Bolt	M10 X 20
17	390734X1	2	Flat Washer	10-21 X 2
18	4279582M1	1	Reinforcement	
19	3009491X1	3	Bolt	M10 X 20
20	390734X1	3	Flat Washer	10-21 X 2
21	4275583M3	1	Bridle	
22	339123X1	1	Bolt	M8 X 20
23	390972X1	1	Flat Washer	8-17 X 1,7
24	4278965M2	1	Hydr. Hose	S204071
25	1442970X1	2	Split Pin	4 X 63
26	3808024M2	1	Housing	
27	3808023M91	1	Non Return Valve	
28	3712465M1	1	Hose Clip	15 MM
29	4277715M1	1	Protection.	60 MM
30	916101170010	1	Protection.	
31	339560X1	2	Bolt	M6 X 16
32	4277714M1	1	Protection.	[A] 45 MM
33	4277720M1	1	Stop	
34	4275653M2	1	Tube	
35	4274265M1	1	Hose	
36	4277471M1	1	Hose	300 MM
37	338618X1	4	Hose Clip	50-70
38	4276942M3	1	Angle.	
39	4276949M1	1	Cowl	
40	3009491X1	2	Bolt	M10 X 20
41	390734X1	2	Flat Washer	10-21 X 2
42	339034X1	2	Nut	M16
43	4279012M2	1	Stop	
44	390734X1	1	Flat Washer	
45	4293122M1	1	Pipe	S204072

FOOTNOTE [A] CUT TO REQUIRED LENGTH

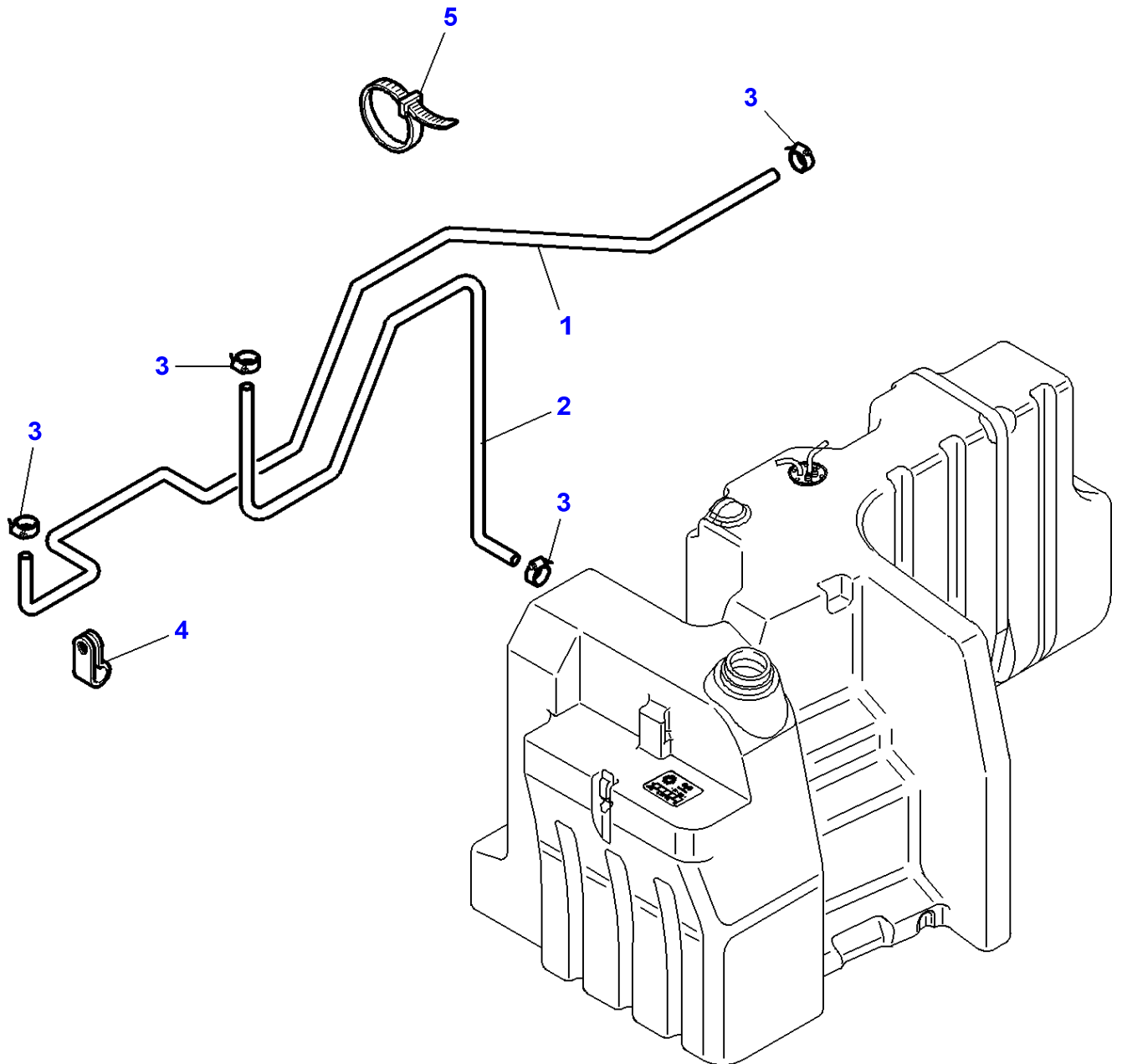
1-WC04-006-D



Massey Ferguson**MF 8470/8480 TRACTOR (TIER 3) - 3906071****3906071****Page010-0140****Additional Tank**

Item	Part Number	Qty	Description	Comments
1	4275495M93	1	Tank	
2	1617869M2	1	Gasket	(1)
3	4275229M2	1	Tube	(1)
4	3005728X1	6	Self Tap Screws	(1) No 10 X 16
5	4277512M2	1	Cowl	
6	3007934X1	6	Screw	CBZ M6 X 16
7	391038X1	6	Flat Washer	6-18 X 1,5
8	4282050M1	1	Plug	60 MM
9	4278335M2	1	Shield	
10	4271654M1	1	Gasket	75 MM
11	4278965M2	1	Hydr. Hose	
12	4279592M1	1	Stop	
13	4277471M1	1	Hose	300 MM
14	338618X1	1	Hose Clip	50-70
15	4289939M2	1	Insulator	
16	4289963M3	1	Cowl	
17	3583548M1	7	Dowel	
18	391038X1	8	Flat Washer	6-18 X 1,5 S179008
	391038X1	4	Flat Washer	6-18 X 1,5 S179009
19	390916X1	7	Hex. Sock. Screw	M6 X 8
20	339560X1	1	Bolt	M6 X 16
21	4293530M1	4	Plate	S179009

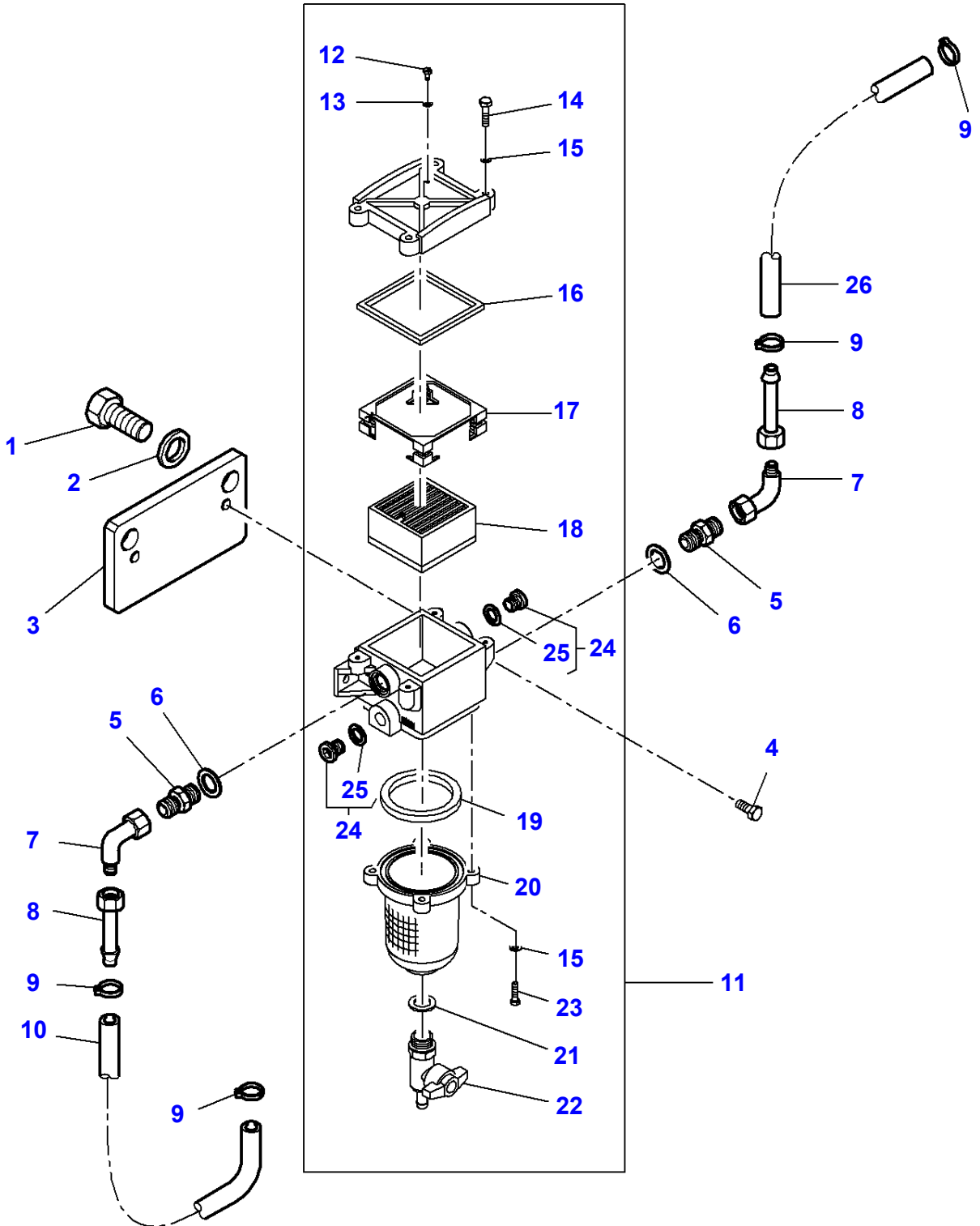
1-WH16-005-A



Massey Ferguson**MF 8470/8480 TRACTOR (TIER 3) - 3906071****3906071****Fuel Pipes****Page010-0145**

Item	Part Number	Qty	Description	Comments
1	4292971M1	1	Hydr. Hose	1130 MM
2	4280429M2	1	Hydr. Hose	S026041 1850 MM
	4286332M1	1	Hydr. Hose	S026042 1090 MM
3	3712465M1	4	Hose Clip	15 MM
4	3387756M1	1	Clip	16 - M8
5	3619622M1	3	Cable Tie	

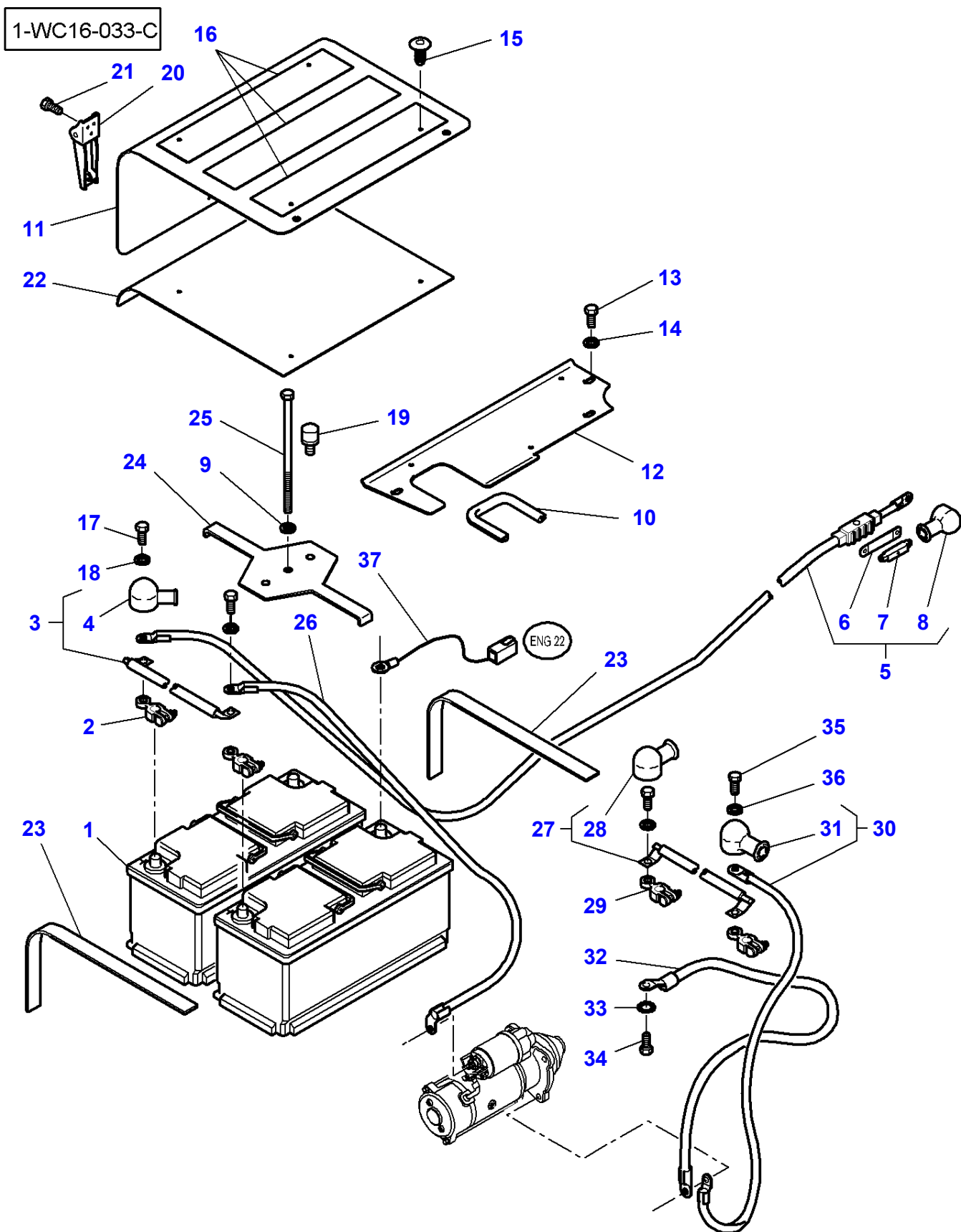
1-WC64-011-B



Fuel System

Item	Part Number	Qty	Description	Comments
1	391120X1	2	Hex. Sock. Screw	M16 X 45
2	1441664X1	2	Flat Washer	16-30 X 3
3	4288321M1	1	Support	
4	339124X1	2	Bolt	M8 X 16
5	3019574X1	2	Union	M16 - 9/16-18
6	3019396X1	2	O Ring	
7	364603X1	2	Elbow Union	
8	4288361M1	2	Tube	
9	3712465M1	4	Hose Clip	
10	4288320M1	1	Hydr. Hose	745 MM
11	4288318M1	1	Filter	
12	F916.200.060.090	1	Screw	(11)
13	F916.200.060.020	1	Gasket	(11)
14	X486.517.800.000	4	Screw	(11)
				M5 X 30
15	X450.003.908.000	8	Disc	(11)
16	F916.200.060.081	1	Gasket	(11)
17	F916.200.060.070	1	Plate	(11)
18	3907943M1	1	Filter Element	(11)
19	F916.200.060.062	1	Joint.	(11)
20	F916.200.060.050	1	Container	(11)
21	F916.200.060.040	1	O Ring	(11)
22	3907944M1	1	Cock	(11)
23	X487.517.441.000	4	Screw	(11)
				M5 X 20
24	3010834X91	2	Plug	(11)
25	70924686	1	O Ring	(24)
26	4292971M1	1	Hydr. Hose	1130 MM

MF 8470/8480 TRACTOR (TIER 3) - 3906071
1-WC16-033-C

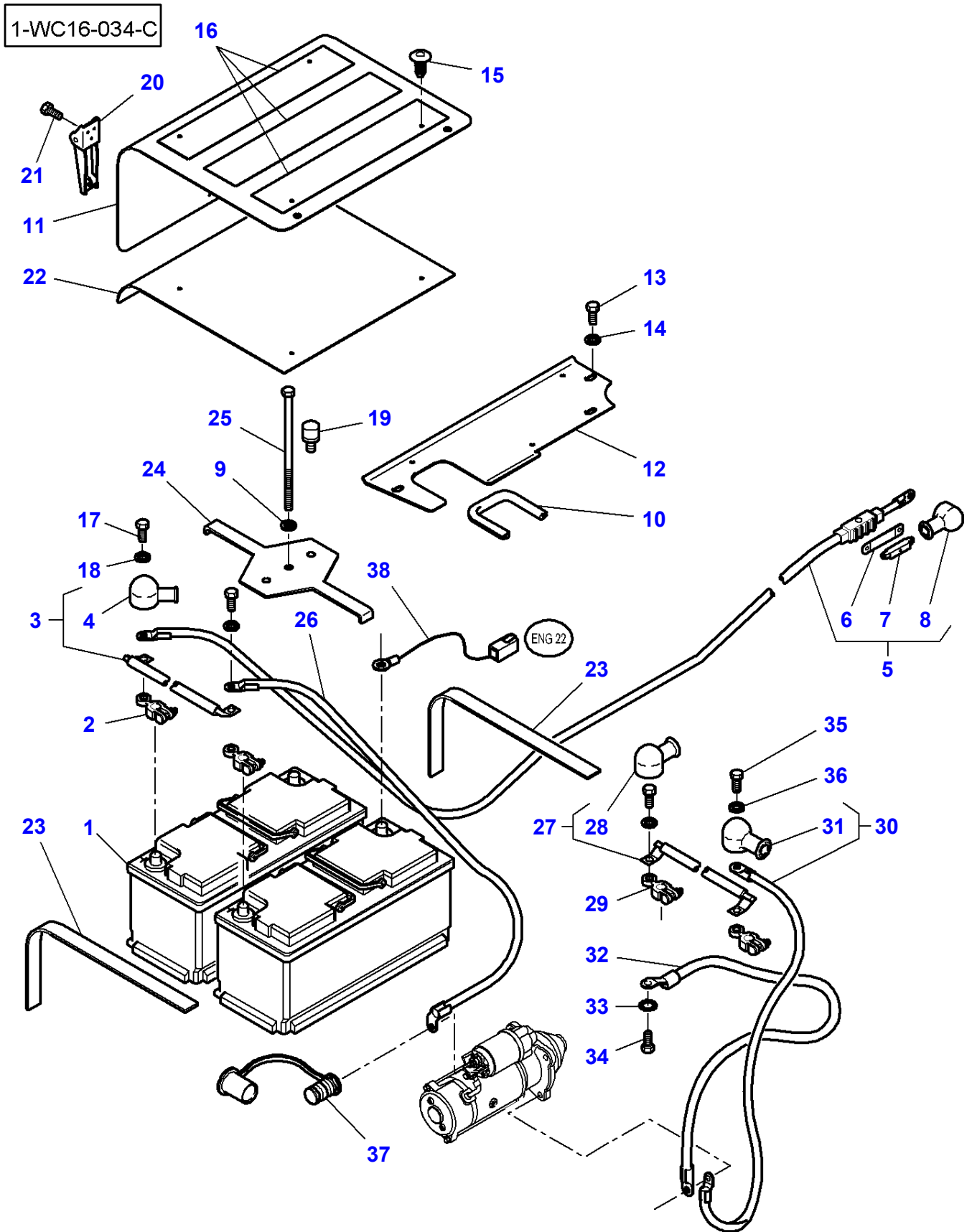


Massey Ferguson**MF 8470/8480 TRACTOR (TIER 3) - 3906071****3906071****Batteries And Cables - Without Battery Cut-Off W/O Positive Connection****Page010-0155**

Item	Part Number	Qty	Description	Comments
1		2	Battery	[A,B]
2	4276408M1	2	Connector	+
3	4274946M1	1	Cable	190 MM
				+
4	3784666M1	2	Helmet	(3)
				P311010
5	4274519M3	1	Cable	1870 MM
				+
6	4276186M1	1	Fuse	(5)
				150 AMP
7	3789733M2	1	Case Assy	(5)
8	3784666M1	1	Helmet	(5)
9	390597X1	1	Flat Washer	10-30 X 2,5
10	3784893M1	1	Gasket	204 MM
11	4278304M3	1	Cover	
12	4278305M2	1	Bridle	
13	339124X1	4	Bolt	M8 X 16
14	390972X1	4	Flat Washer	8-17 X 1,7
15	4275057M1	4	Button	
16	4280036M1	3	Rubber Strap	370 X 70
17	1440433X1	2	Hex. Sock. Screw	M10 X 16
18	390734X1	2	Flat Washer	10-21 X 2
19	4278306M1	2	Shock Absorber	
20	4278351M1	1	Tie	
21	3008179X1	3	Screw	M4 X 10
22	4278782M3	1	Sound Reduction	
23	4278758M1	1	Gasket	
24	4275106M2	1	Bridle	
25	392882X1	1	Hex. Sock. Screw	M10 X 240
26	4274520M1	1	Cable	1220 MM
				+
27	4274518M1	1	Cable	190 MM
				-
28	3784666M1	2	Helmet	(27)
29	4276409M1	2	Connector	-
30	4275488M2	1	Cable	
31	3784666M1	1	Helmet	(30)
32	3788045M1	1	Cable	750 MM
				-
33	3010604X1	1	Tooth Washer	
34	3009491X1	1	Bolt	M10 X 20
35	339124X1	2	Bolt	M8 X 16
36	390972X1	2	Flat Washer	8-17 X 1,7
37	4276513M2	1	Harness	1800 MM

FOOTNOTE [A] PLEASE REFER TO MARKETING CATALOG**FOOTNOTE [B]** THE APPROPRIATE SAFETY DECALS MUST BE ORDERED AND FITTED TO THIS PART

MF 8470/8480 TRACTOR (TIER 3) - 3906071
1-WC16-034-C

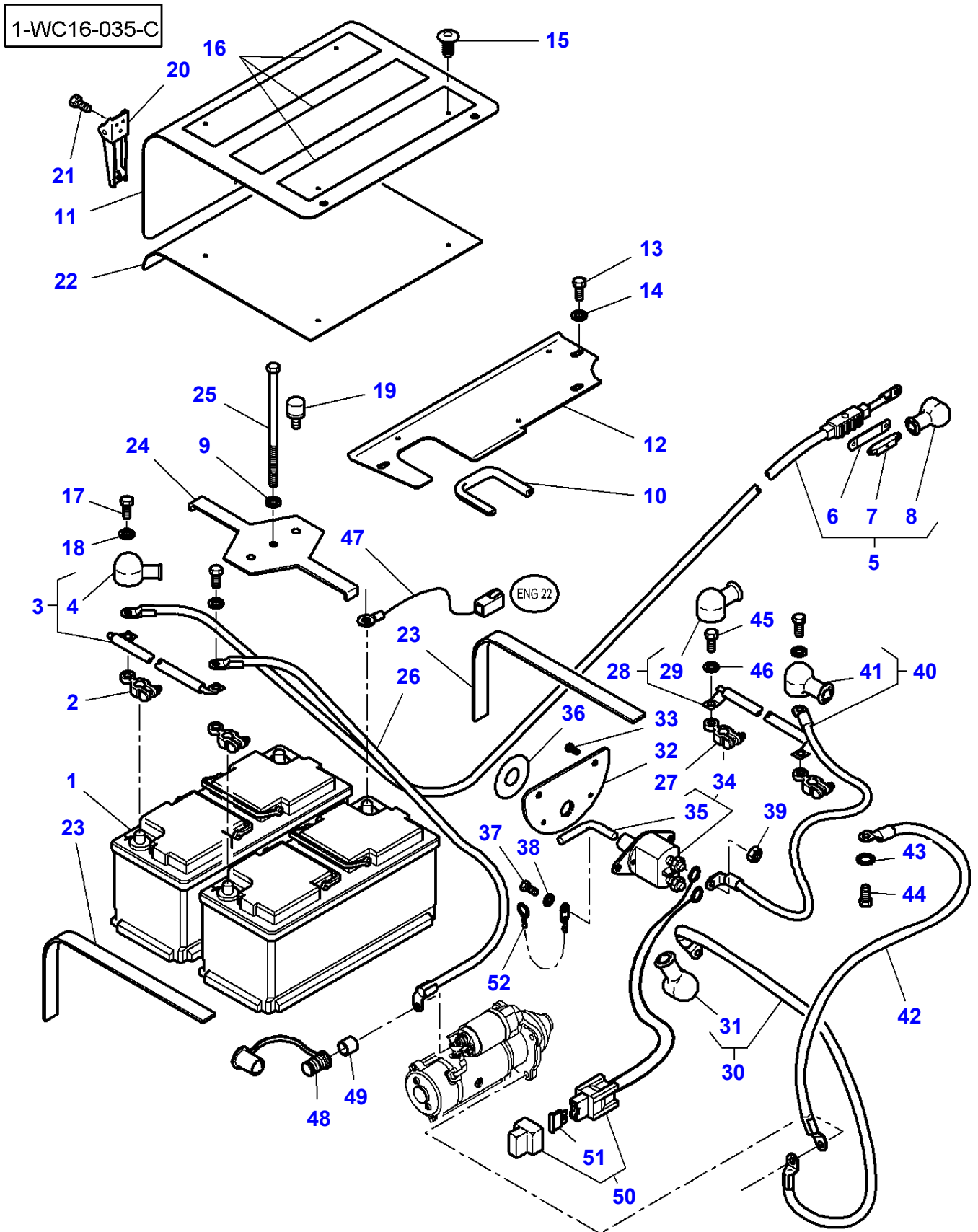


Item	Part Number	Qty	Description	Comments
1		2	Battery	[A,B]
2	4276408M1	2	Connector	+
3	4274946M1	1	Cable	190 MM
				+
4	3784666M1	2	Helmet	(3)
				P311010
5	4274519M3	1	Cable	1870 MM
				+
6	4276186M1	1	Fuse	(5)
				150 AMP
7	3789733M2	1	Case Assy	(5)
8	3784666M1	1	Helmet	(5)
9	390597X1	1	Flat Washer	10-30 X 2,5
10	3784893M1	1	Gasket	204 MM
11	4278304M3	1	Cover	
12	4278305M2	1	Bridle	
13	339124X1	4	Bolt	M8 X 16
14	390972X1	4	Flat Washer	8-17 X 1,7
15	4275057M1	4	Button	
16	4280036M1	3	Rubber Strap	370 X 70
17	1440433X1	2	Hex. Sock. Screw	M10 X 16
18	390734X1	2	Flat Washer	10-21 X 2
19	4278306M1	2	Shock Absorber	
20	4278351M1	1	Tie	
21	3008179X1	3	Screw	M4 X 10
22	4278782M3	1	Sound Reduction	
23	4278758M1	1	Gasket	
24	4275106M2	1	Bridle	
25	392882X1	1	Hex. Sock. Screw	M10 X 240
26	4274520M1	1	Cable	1220 MM
				+
27	4274518M1	1	Cable	190 MM
				-
28	3784666M1	2	Helmet	(27)
29	4276409M1	2	Connector	-
30	4275488M2	1	Cable	
31	3784666M1	1	Helmet	(30)
32	3788045M1	1	Cable	750 MM
				-
33	3010604X1	1	Tooth Washer	
34	3009491X1	1	Bolt	M10 X 20
35	339124X1	2	Bolt	M8 X 16
36	390972X1	2	Flat Washer	8-17 X 1,7
37	5015252M1	1	Connector	
38	4276513M2	1	Harness	1800 MM

FOOTNOTE [A] PLEASE REFER TO MARKETING CATALOG

FOOTNOTE [B] THE APPROPRIATE SAFETY DECALS MUST BE ORDERED AND FITTED TO THIS PART

MF 8470/8480 TRACTOR (TIER 3) - 3906071
1-WC16-035-C



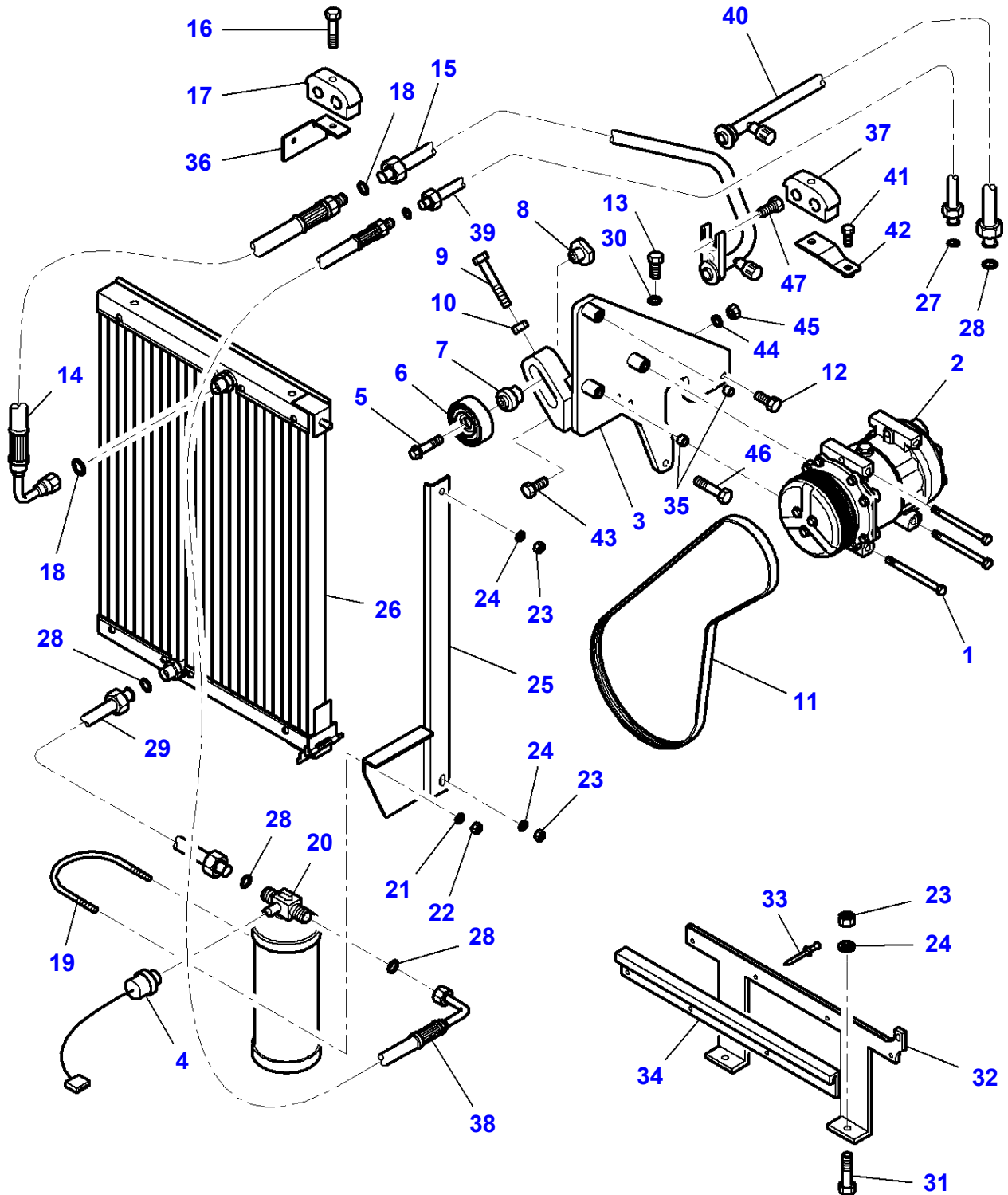
Batteries And Cables - With Battery Cut-Off

Item	Part Number	Qty	Description	Comments
1		2	Battery	[A,B]
2	4276408M1	2	Connector	+
3	4274946M1	1	Cable	190 MM
				+
4	3784666M1	2	Helmet	(3)
				P311010
5	4274519M3	1	Cable	1870 MM
				+
6	4276186M1	1	Fuse	(5)
				150 AMP
7	3789733M2	1	Case Assy	(5)
8	3784666M1	1	Helmet	(5)
9	390597X1	1	Flat Washer	10-30 X 2,5
10	3784893M1	1	Gasket	204 MM
11	4278304M3	1	Cover	
12	4278305M2	1	Bridle	
13	339124X1	4	Bolt	M8 X 16
14	390972X1	4	Flat Washer	8-17 X 1,7
15	4275057M1	4	Button	
16	4280036M1	3	Rubber Strap	370 X 70
17	1440433X1	2	Hex. Sock. Screw	M10 X 16
18	390734X1	2	Flat Washer	10-21 X 2
19	4278306M1	2	Shock Absorber	
20	4278351M1	1	Tie	
21	3008179X1	3	Screw	M4 X 10
22	4278782M3	1	Sound Reduction	
23	4278758M1	1	Gasket	
24	4275106M2	1	Bridle	
25	392882X1	1	Hex. Sock. Screw	M10 X 240
26	4274520M1	1	Cable	1220 MM
				+
27	4276409M1	2	Connector	-
28	4274518M1	1	Cable	190 MM
				-
29	3784666M1	2	Helmet	(28)
30	4275544M1	1	Cable	1400 MM
				-
31	3784666M1	1	Helmet	(30)
32	4275007M1	1	Support	
33	339123X1	2	Bolt	M8 X 20
34	3613598M91	1	Breaker	
35	3907425M1	1	Lever	(34)
36	3613600M1	1	Decal	
37	339666X1	2	Bolt	M6 X 20
38	390971X1	2	Flat Washer	6-12 X 1,5
39	339030X1	2	Nut	M6
40	4275771M1	1	Battery Cable	1400 MM
				-
41	3784666M1	1	Helmet	(40)
42	3788045M1	1	Cable	750 MM
				-
43	3010604X1	1	Tooth Washer	
44	3009491X1	1	Bolt	M10 X 20
45	339124X1	2	Bolt	M8 X 16
46	390972X1	2	Flat Washer	8-17 X 1,7
47	4276513M2	1	Harness	1800 MM
48	5015252M1	1	Connector	+
49	3580856M1	1	Spacer	10,5
50	4279279M2	1	Wire	R166075
				R185071
51	3580868M1	1	Fuse	(50)
				3AMP.
52	3613599M91	1	Chain	

FOOTNOTE [A] PLEASE REFER TO MARKETING CATALOG

FOOTNOTE [B] THE APPROPRIATE SAFETY DECALS MUST BE ORDERED AND FITTED TO THIS PART

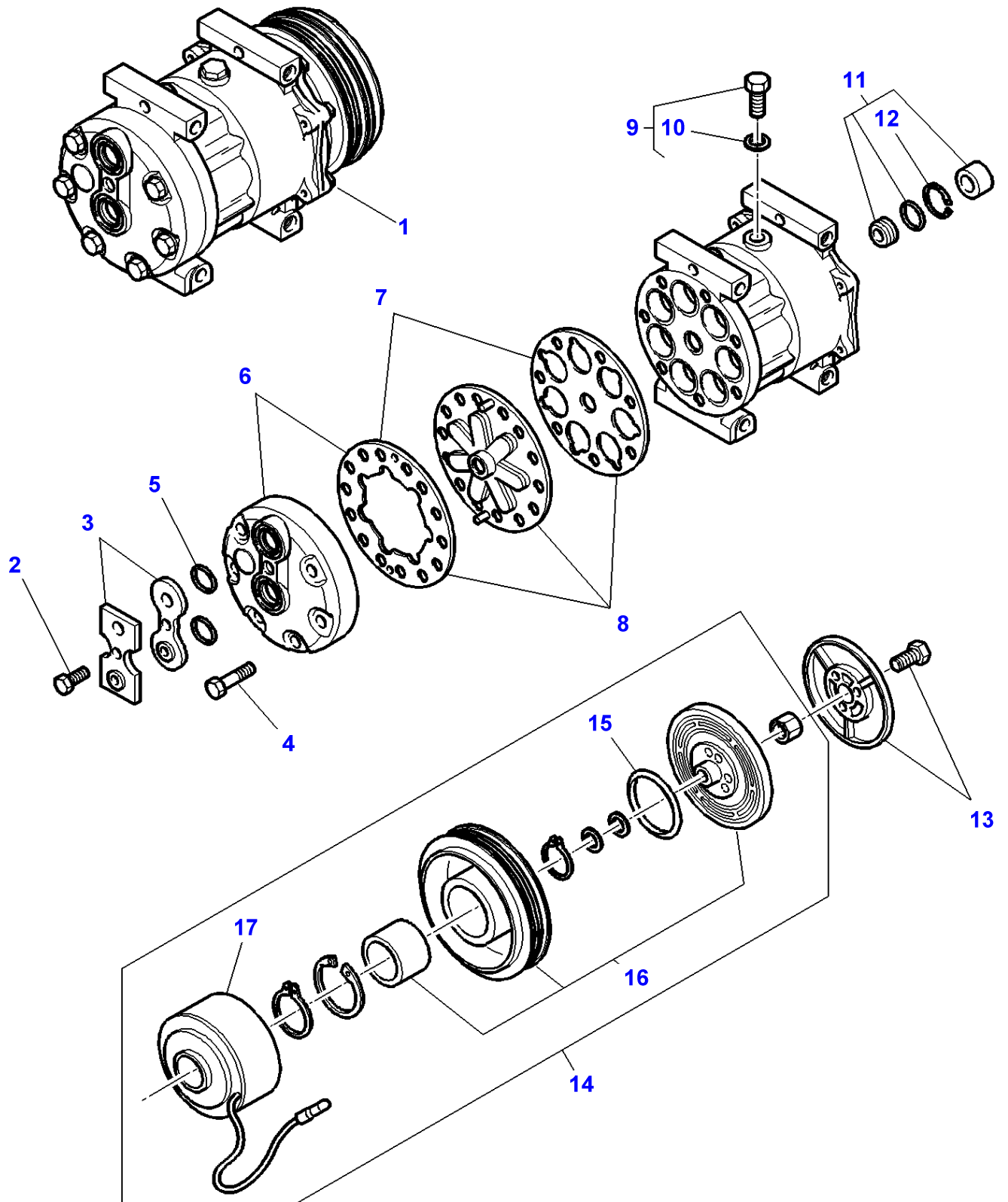
1-WC08-023-B



Cooling System - Air Conditioned Installation

Item	Part Number	Qty	Description	Comments
1	339557X1	3	Bolt	M8 X 120
2	3789035M1	1	Compressor	010-0175/1
3	4279847M5	1	Support	
4	3712526M1	1	Pressure Switch	M8
5	3010239X1	1	Carriage Bolt	M10 X 45
6	4270319M1	1	Roller Assy	
7	4270055M3	1	Bush	
8	4270054M1	1	Nut Special	M10
9	390122X1	1	Hex. Sock. Screw	M10 X 80
10	339402X1	1	Nut	M10
11	4273269M1	1	Belt	1150 MM 4276375M1
12		X	Not Used	
13	339761X1	2	Bolt	M8 X 25
14	4278051M1	1	Hydr. Hose	1200 MM
15	4278053M1	1	Tube	
16	339011X1	1	Bolt	M8 X 45
	339010X1	3	Bolt	M8 X 40
17	3784654M1	1	Bridle	10 / 12
18	3010472X1	2	O Ring	10,82 MM
19	3383977M1	1	Stirrup	
20	3712495M1	1	Filter	
21	390971X1	2	Flat Washer	6-12 X 1,5 MM
22	339030X1	2	Nut	M6
23	339169X1	3	Nut	M8
24	390972X1	X	Flat Washer	8-17 X 1,7
	385361X1	1	Flat Washer	9-17 X 3.2 02-JAN-2007
25	3785878M3	1	Support	
26	3785702M1	1	Condenser	
27	3010473X1	1	O Ring	14 MM
28	3010471X1	4	O Ring	7,65 MM
29	3787886M1	1	Tube	
30	390972X1		Flat Washer	
31	339123X1	2	Bolt	M8 X 20
32	4276222M3	1	Plate	
33	3010021X1	4	Rivet	
34	3787634M1	1	Support	
35	4275108M1	2	Pin	11 X 8
36	4280067M2	1	Support	
37	3789315M1	3	Bridle	10 / 16
38	4278055M1	1	Hydr. Hose	1300 MM
39	4278221M4	1	Tube	
40	4278054M4	1	Tube	
41	339124X1	2	Bolt	M8 X 16
42	4280010M1	2	Support	
43	3009496X1	1	Bolt	M10 X 45
44	385362X1	1	Washer	
45	339402X1	1	Nut	M10
46	3015258X1	1	Hex. Sock. Screw	M8 X 95 01-JAN-2007
	339136X1	1	Hex. Sock. Screw	M8 X 90 02-JAN-2007
47	358139X1	1	Screw	3/8-24X25

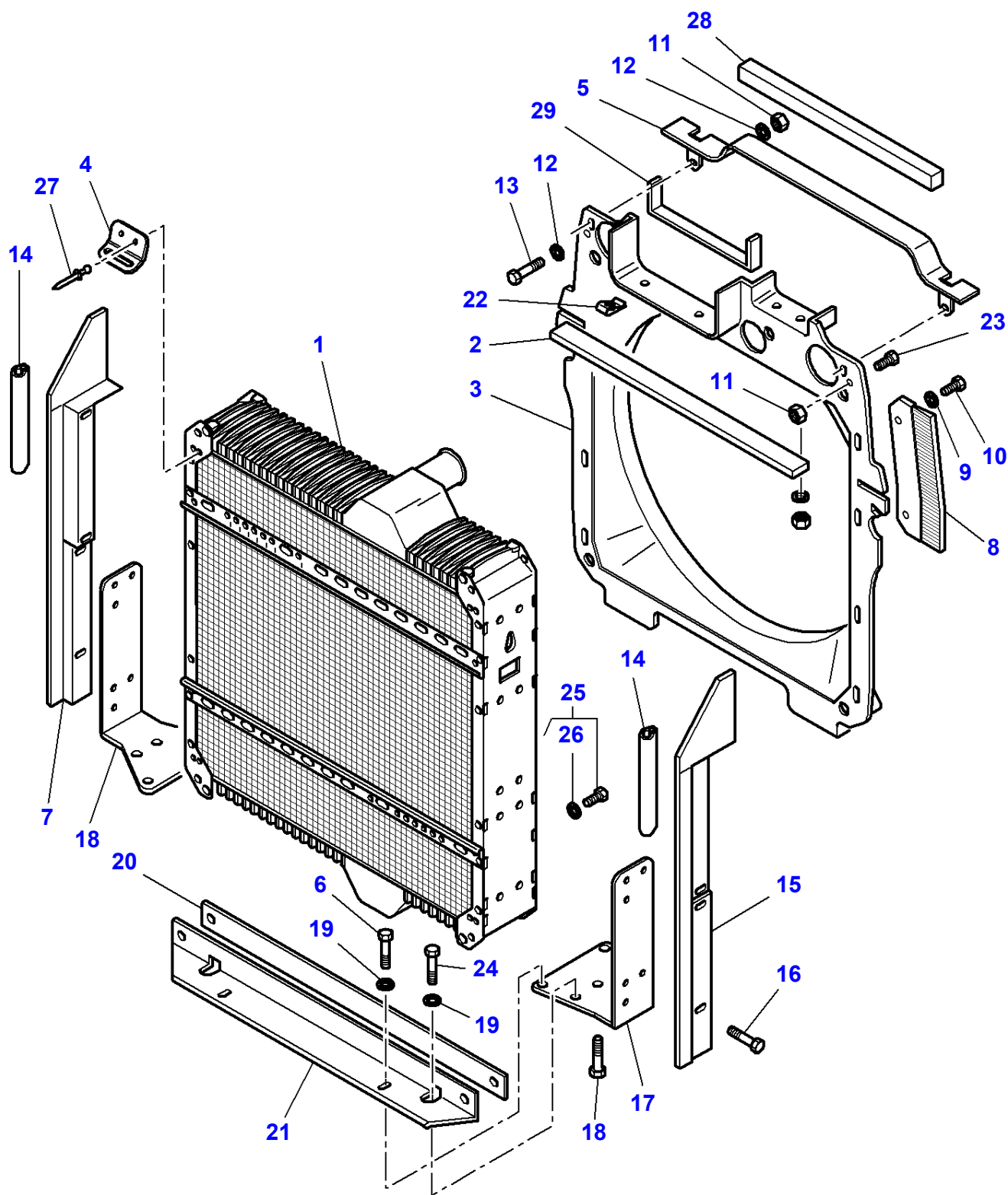
1-WC49-001-A



Compressor

Item	Part Number	Qty	Description	Comments
1	3789035M1	1	Compressor	
2	3901157M1	1	Screw	(1)
3	3903258M91	1	Kit	(1)
4	3901154M1	1	Screw	(1)
5	3901155M1	1	O Ring	(1)
6	3901147M91	1	Head	(1)
7	3903256M91	1	Kit, Gasket	(1)
8	3903255M91	1	Kit	(1)
9	3901152M91	1	Plug	(1)
10	3901153M1	1	O Ring	(9)
11	3907059M91	1	Kit, Joint	(1)
12	3907060M1	1	Snpring	(11)
13	3903259M91	1	Kit	(1)
14	3907061M91	1	Clutch	(1)
15	3901162M1	1	Cover	(14)
16	3907062M91	1	Rotor	(14)
17	3907063M91	1	Coil	(14)

1-WC23-021-D



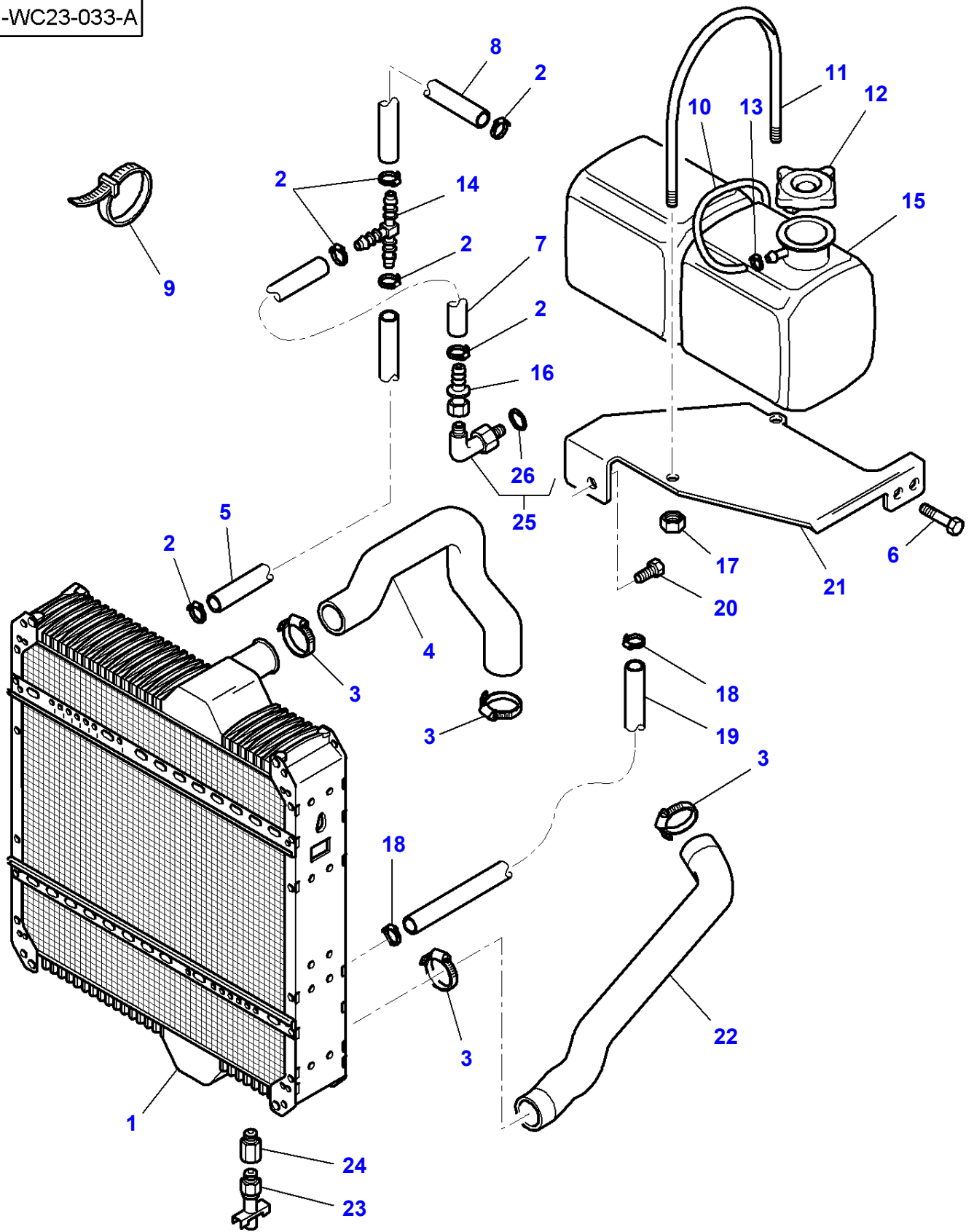
Cooling System - Engine

Item	Part Number	Qty	Description	Comments
1	3788381M2	1	Water Cooler	[A]
2	72504363	2	Foam	12 X 25 X 610
3	4274243M5	1	Shroud	
4	3789249M1	2	Angle.	
5	3785976M3	1	Support	
6	3009506X1	4	Hex. Sock. Screw	M12 X 30
7	3781630M2	1	Support	
8	3783099M4	1	Gasket	
	3783100M4	1	Gasket	
9	390972X1	8	Flat Washer	8-17 X 1,7
10	339124X1	8	Bolt	M8 X 16
11	339169X1	4	Nut	M8
12	390972X1	4	Flat Washer	8-17 X 1,7
13	339761X1	2	Bolt	M8 X 25
14	3011018X1	2	Seal	700 MM
15	3781629M2	1	Support	
16	339123X1	8	Bolt	M8 X 20
17	3781911M1	1	Support	
18	3781621M1	1	Support	
19	390735X1	6	Flat Washer	12-24 X 2,5
20	3783101M1	1	Gasket	745 MM
21	3783046M1	1	Support	
22	3010070X1	2	Spring Nut	M6
23	339123X1	2	Bolt	M8 X 20
24	3009505X1	2	Bolt	M12 X 25
25	358724X91	1	Plug	3/4-16
26	831497M1	1	O Ring	(25)
27	3010021X1	4	Rivet	4.8 x 9
28	3783670M2	1	Gasket	16 X 50 X 750 MM
	3389703M1	1	Skate	38 X 38 X 160 MM
29	3712224M1	1	Gasket	

FOOTNOTE [A] THE APPROPRIATE SAFETY DECALS MUST BE ORDERED AND FITTED TO THIS PART

MF 8470/8480 TRACTOR (TIER 3) - 3906071
1-WC23-033-A

1-WC23-033-A

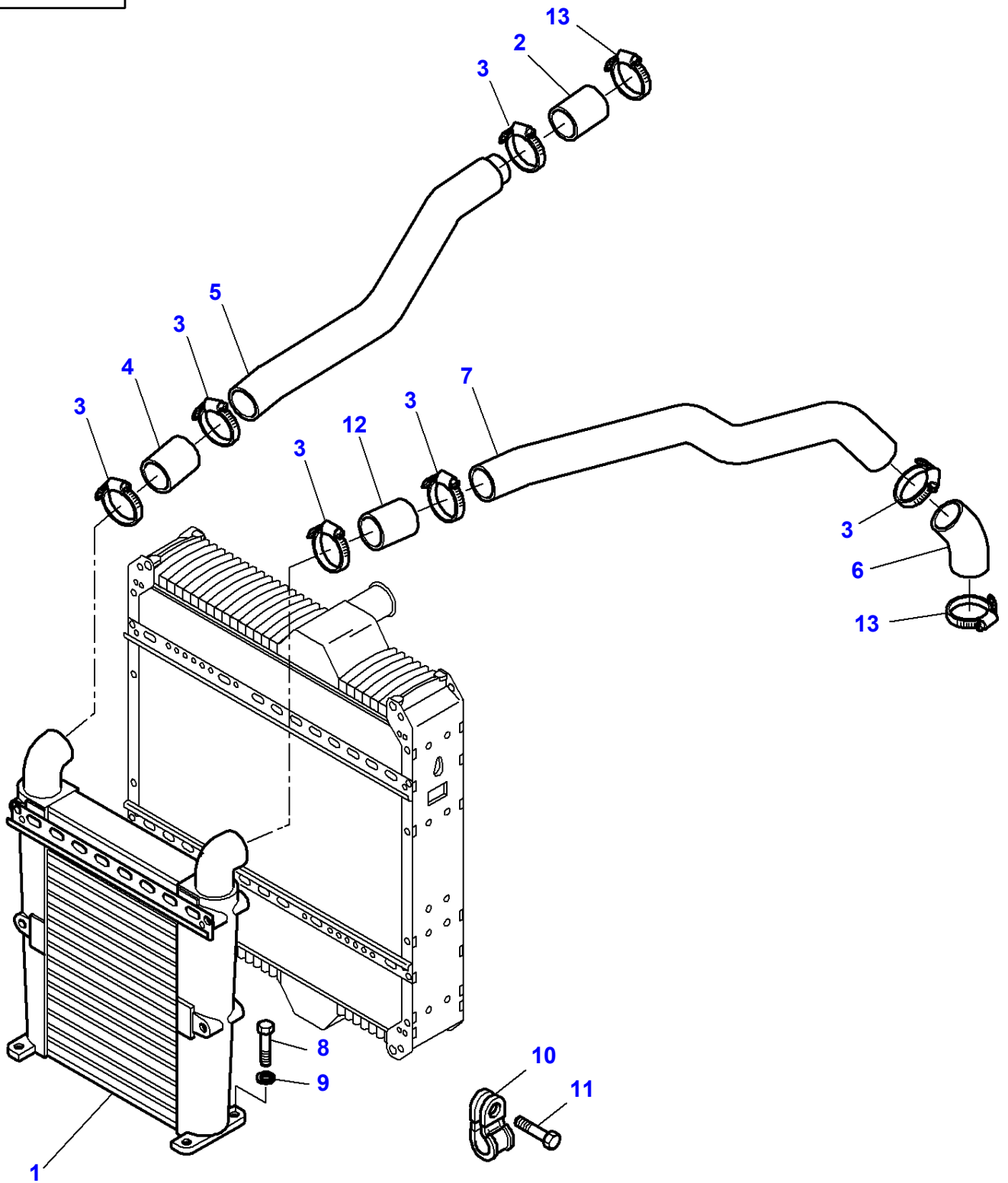


Cooling System - Engine

Item	Part Number	Qty	Description	Comments
1	3788381M2	1	Water Cooler	[A]
2	3000483X1	6	Hose Clip	12-22
3	338618X1	4	Hose Clip	50-70
4	4278281M1	1	Hose	
5	4278566M1	1	Hose	900 MM
6	339124X1	2	Bolt	M8 X 16
7	3783573M1	1	Hydr. Hose	650 MM
8	3713676M1	1	Hose	400 MM
9	3619622M1	2	Cable Tie	
10	3583427M1	1	Tube	
11	4275245M1	1	Bridle	M8
12	3787612M1	1	Tank Cap	
13	338612X1	1	Hose Clip	10-16
14	3011406X1	1	Union	SEP-2007
	3011406X1	1	Union	SEP-2007
15	4280681M1	1	Tank	[A]
16	4279936M1	1	Union	
17	339169X1	2	Nut	M8
18	338614X1	2	Hose Clip	20-32
19	4281373M1	1	Hose	
20	3009491X1	1	Bolt	M10 X 20
21	4274910M3	1	Support	
22	5015117M1	1	Hose	
23	70229210	1	Cock	
24	5016190M1	1	Adaptor	
25	3019302X91	1	Elbow Union	
26	3019393X1	1	O Ring	(25)

FOOTNOTE [A] THE APPROPRIATE SAFETY DECALS MUST BE ORDERED AND FITTED TO THIS PART

1-WC65-002-C

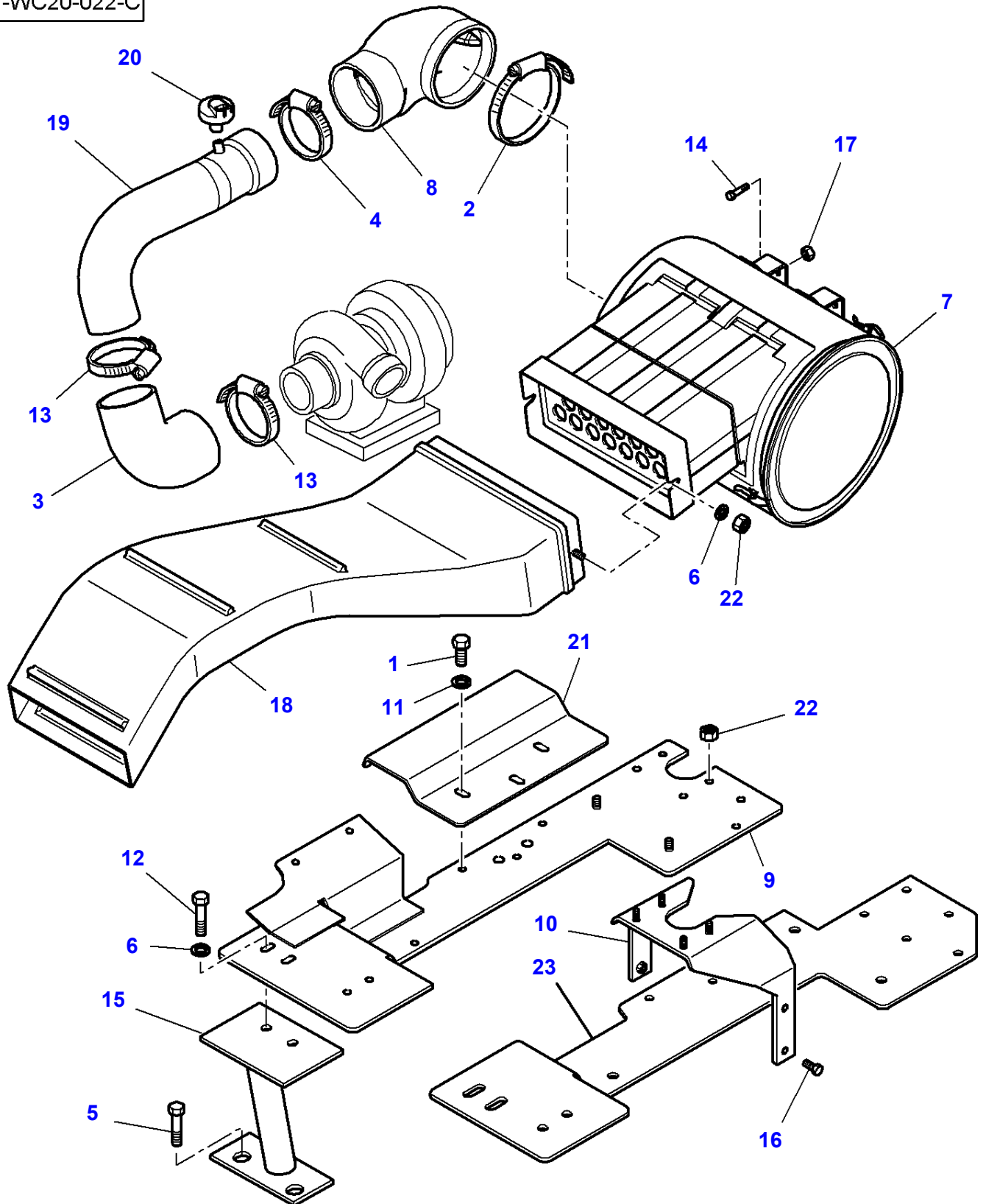


Massey Ferguson**MF 8470/8480 TRACTOR (TIER 3) - 3906071****3906071****Page010-0190****Air Cooler**

Item	Part Number	Qty	Description	Comments
1	4276485M1	1	Cooler	
2	3788617M1	1	Hose	R352036 - MF8470 R341079 - MF8480
	4286065M1	1	Hose	R352037 - MF8470 R341080 - MF8480
3	3010156X1	6	Hose Clip	70-90
4	3784918M1	1	Hose	
5	4276118M1	1	Tube	R352036 - MF8470 R341079 - MF8480
	4285955M1	1	Tube	R352037 - MF8470 R341080 - MF8480
6	3784918M1	1	Hose	
7	4276119M2	1	Tube	
8	339010X1	4	Bolt	M8X40
9	390972X1	4	Flat Washer	
10	3581507M1	2	Clip	18MM
11	339761X1	2	Bolt	M8 X 25
12	3784918M1	1	Hose	
13	3010156X1	2	Hose Clip	R346053 70-90
	338620X1	2	Hose Clip	R346054 80-100

MF 8470/8480 TRACTOR (TIER 3) - 3906071
1-WC20-022-C

1-WC20-022-C

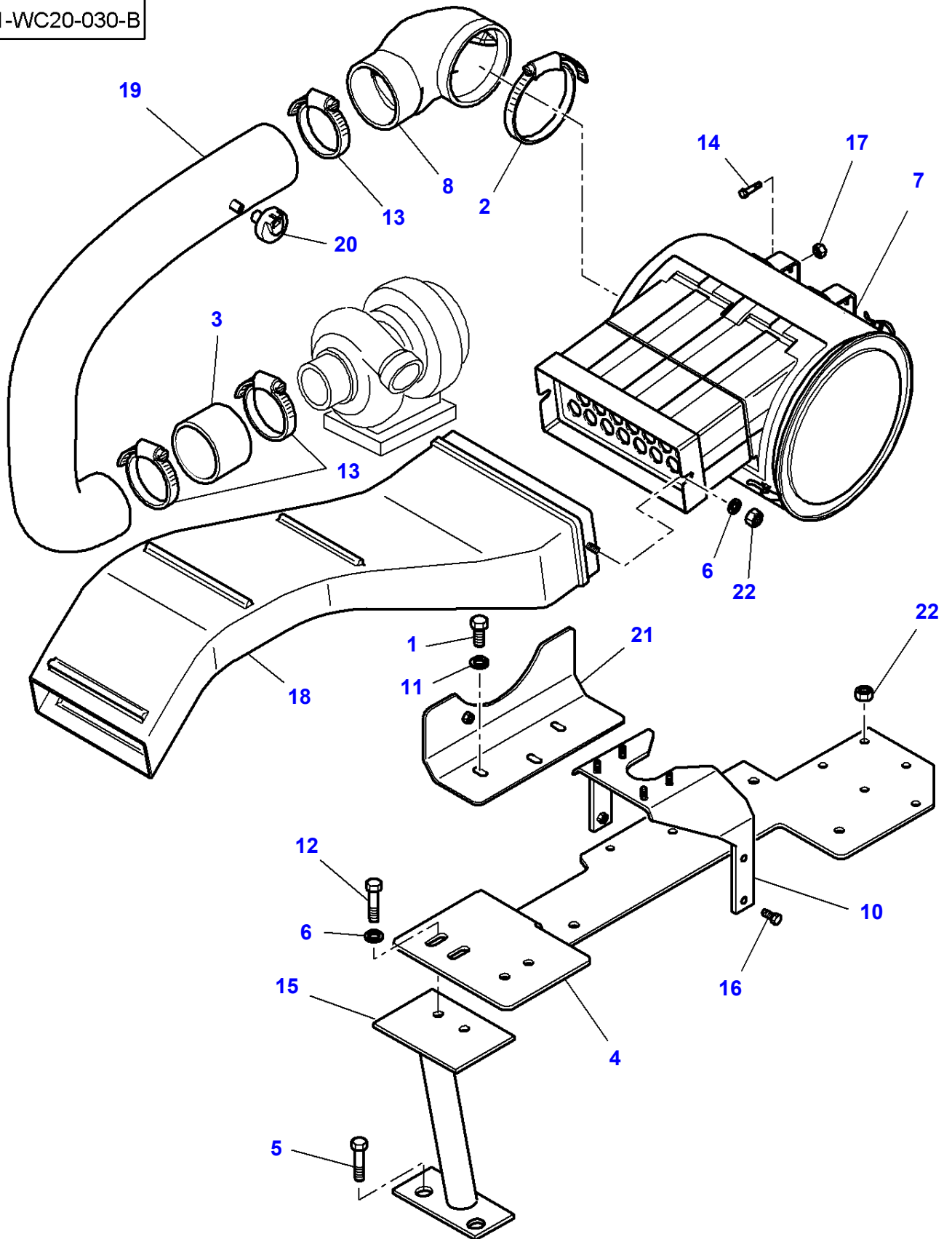


Massey Ferguson**MF 8470/8480 TRACTOR (TIER 3) - 3906071****3906071****Air Filter - Dry - Dual Element - UP TO MF8470 R352036 / MF8480 R341079****Page010-0195**

Item	Part Number	Qty	Description	Comments
1	339123X1	3	Bolt	M8 X 20
2	3010162X1	1	Hose Clip	R346053 130-155
	3010159X1	1	Hose Clip	R346054 100-125
3	4281086M1	1	Hose	
4	3010160X1	1	Clamp	110-135
5	390419X1	2	Bolt	M16 X 40
6	390734X1	4	Flat Washer	
7	4278222M91	1	Air Filter	010-0205/1
8	3788163M1	1	Tube	
9	4277707M92	1	Support	R327070
10	4280070M1	1	Support	R327070
	4289116M2	1	Support	R327071
11	390972X1	3	Flat Washer	
12	3009492X1	2	Cap Screw	M10 X 25
13	3010159X1	3	Hose Clip	
14	1440716X1	4	Hex. Sock. Screw	M12 X 30
15	4291248M1	1	Support	4280072M3
16	3009493X1	4	Bolt	M10 X 30
17	3009695X1	4	Nut	M12
18	4278207M2	1	Hose	
19	4281035M2	1	Tube	
20	4284917M2	1	Valvometer	
21	4281344M1	1	Cowl
22	339402X1	6	Nut	M10
23	4289071M3	1	Plate	R327071

MF 8470/8480 TRACTOR (TIER 3) - 3906071
1-WC20-030-B

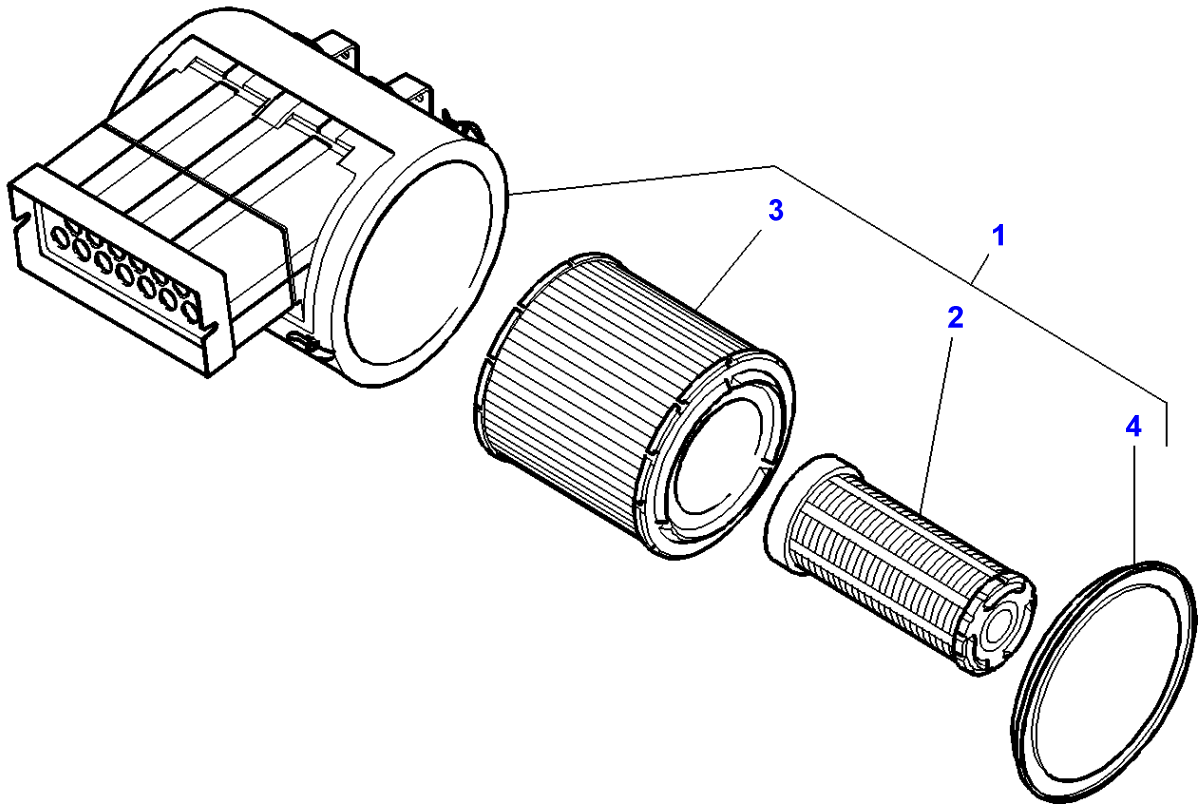
1-WC20-030-B



Massey Ferguson**MF 8470/8480 TRACTOR (TIER 3) - 3906071****3906071****Air Filter - Dry - Dual Element - FROM MF8470 R352037 / MF8480 R341080****Page010-0200**

Item	Part Number	Qty	Description	Comments
1	339123X1	3	Bolt	M8 X 20
2	3010162X1	1	Hose Clip	R346053 130-155
	3010159X1	1	Hose Clip	R346054 100-125
3	3786225M1	1	Hose	
4	4289071M3	1	Plate	
5	390419X1	2	Bolt	M16 X 40
6	390734X1	4	Flat Washer	
7	4278222M91	1	Air Filter	010-0205/1
8	3788163M1	1	Tube	
10	4289116M2	1	Support	
11	390972X1	3	Flat Washer	
12	3009492X1	2	Cap Screw	M10 X 25
13	3010159X1	2	Hose Clip	
14	1440716X1	4	Hex. Sock. Screw	M12 X 30
15	4291248M1	1	Support	4280072M3
16	3009493X1	4	Bolt	M10 X 30
17	3009695X1	4	Nut	M12
18	4278207M2	1	Hose	
19	4288397M1	1	Tube	
20	4284917M2	1	Valvometer	
21	4286389M1	1	Cowl	
22	339402X1	6	Nut	M10

1-WC20-015-A



Massey Ferguson**MF 8470/8480 TRACTOR (TIER 3) - 3906071****3906071****Air Filter - Dry - Dual Element****Page010-0205**

Item	Part Number	Qty	Description	Comments
1	4278222M91	1	Air Filter	
2	4270018M1	1	Air Fitr.Element	(1)
3	4278631M1	1	Air Fitr.Element	(1)
4	4278565M1	1	Cover	(1)

Massey Ferguson**MF 8470/8480 TRACTOR (TIER 3) - 3906071**

3906071

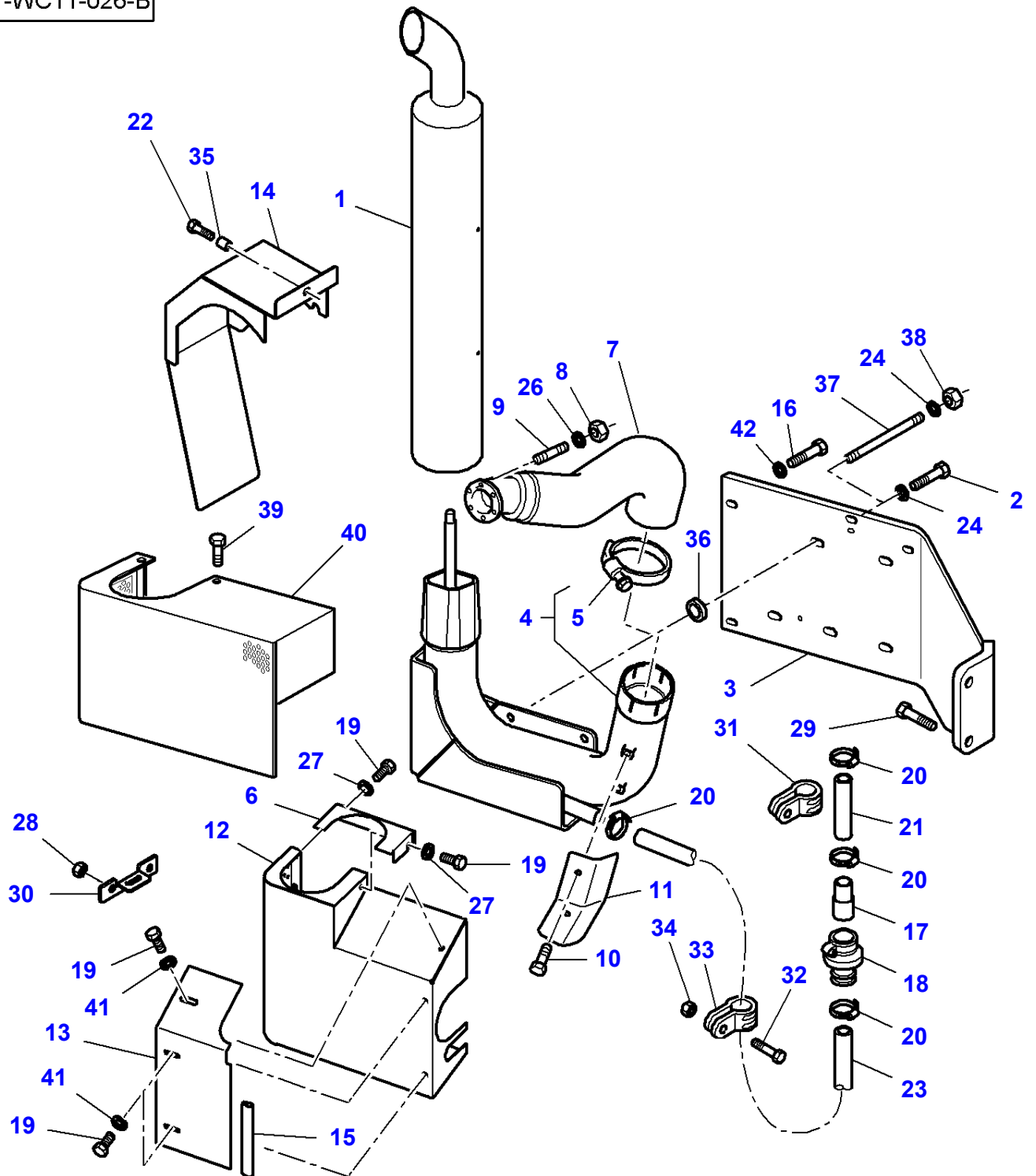
Vertical Exhaust On The Side - UP TO MF8470 R352036 / MF8480 R341079

Page010-0210

Item	Part Number	Qty	Description	Comments
1	4272777M2	1	Tube	AGCO 0037
2	3009510X1	5	Bolt	M12 X 50
3	4277149M6	1	Support	
4	4281310M2	1	Tail Pipe	
5	3782608M1	1	Clamp	(4) 119 MM
6	4273141M2	1	Cowl	
7	3786844M2	1	Adaptor	R024019
	4280897M1	1	Adaptor	
8	3010572X1	7	Nut	M8
9	391001X1	6	Stud	M8 X 25
10	339228X1	2	Hex. Sock. Screw	M8 X 12
11	3789287M1	1	Cowl	
12	339560X1	2	Bolt	M6 X 16
13	390971X1	2	Flat Washer	6-12 X 1,5
14	4277489M5	1	Cowl	
15	4277490M2	1	Reinforcement	
16	339010X1	4	Bolt	M8 X 40
17	3782356M1	1	Adaptor	32-40 MM 60 MM
18	3780483M1	1	Non Return Valve	
19	339402X1	1	Nut	M10
20	338615X1	4	Hose Clip	25-40 MM
21	3038134M1	1	Tube	[A] 740 MM
22	339291X1	2	Bolt	M8 X 16
23	3321918M1	1	Exhaust Pipe	
24	390735X1	5	Flat Washer	12-24 X 2,5
25	4280575M3	1	Cowl	
26	390972X1	7	Flat Washer	8-17 X 1,7
27	339124X1	1	Bolt	M8 X 16
28	3009695X1	3	Nut	M12
29	339881X1	2	Hex. Sock. Screw	M16 X 60
30	4279547M1	1	Support	
31	3010808X1	1	Clip	40 - M8
32	339761X1	1	Bolt	M8 X 25
33	3783956M1	1	Strap	35 - M8
34	394367X1	1	Locknut	M8
35	3011424X1	2	Spacer	11-20 X 40 MM
36	339228X1	2	Hex. Sock. Screw	M8 X 12

FOOTNOTE [A] CUT TO REQUIRED LENGTH

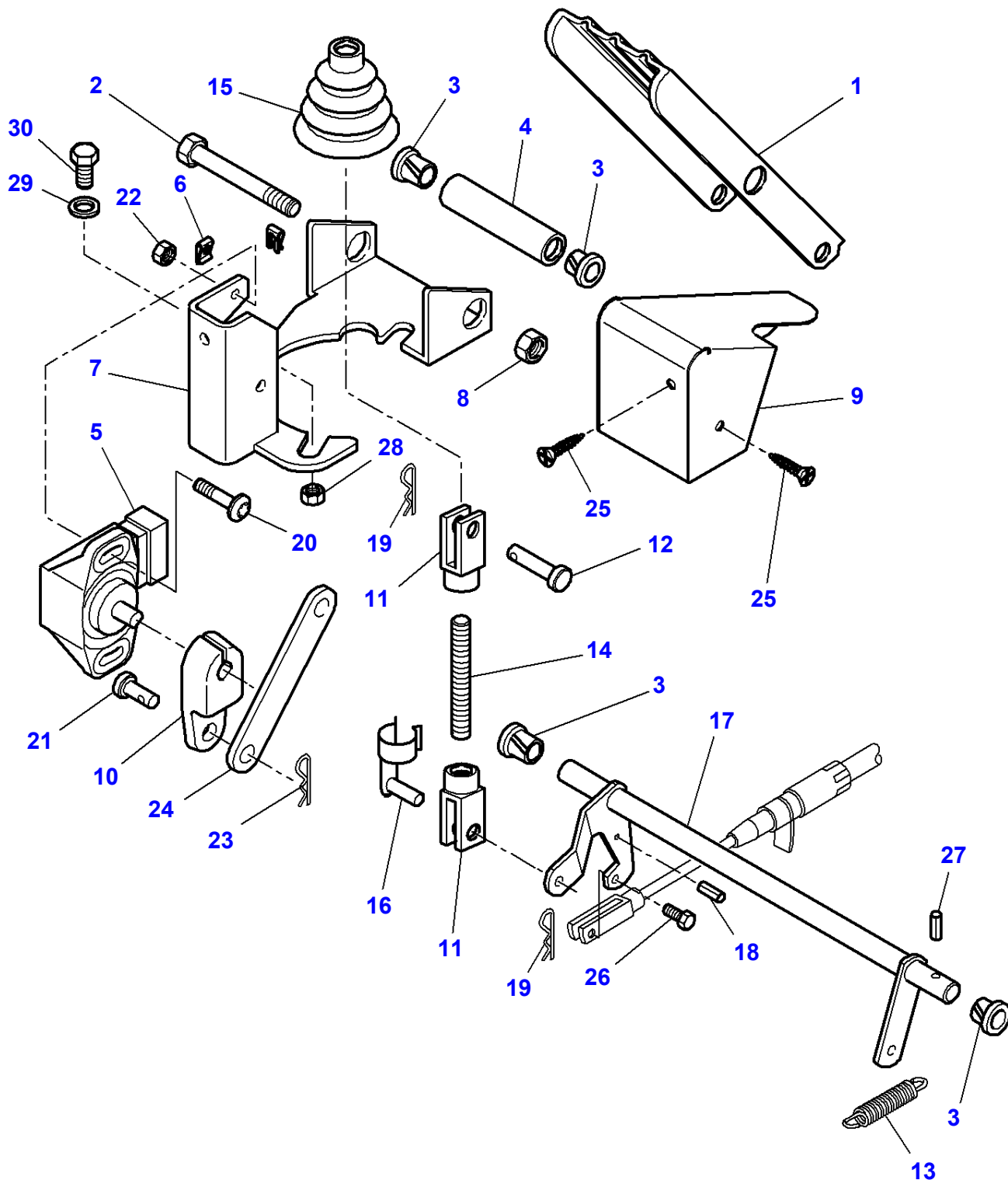
1-WC11-026-B



Item	Part Number	Qty	Description	Comments
1	4272777M2	1	Tube	AGCO 0037
2	3009510X1	5	Bolt	M12 X 50
3	4277149M6	1	Support	
4	4281310M2	1	Tail Pipe	
5	3782608M1	1	Clamp	(4) 119 MM
6	4286590M1	1	Cowl	S024036
7	4288562M2	1	Tube	
8	3010572X1	6	Nut	M8
9	391001X1	6	Stud	S052004 M8 X 25
	1440022X1	6	Stud	S052005 M8 X 20
10	339228X1	2	Hex. Sock. Screw	M8 X 12 S024035
11	3789287M1	1	Cowl	S024035
12	4285982M2	1	Cowl	S024036
13	4286589M2	1	Cowl	S024036
14	4286450M2	1	Cowl	
15	3782784M1	1	Gasket	S024036 150 MM
16	339010X1	4	Bolt	M8 X 40
17	3782356M1	1	Adaptor	32-40 MM 60 MM
18	3780483M1	1	Non Return Valve	
19	339124X1	X	Bolt	M8 X 16
20	338615X1	4	Hose Clip	25-40 MM
21	3038134M1	1	Tube	[A] 740 MM
22	339291X1	2	Bolt	M8 X 16
23	3321918M1	1	Exhaust Pipe	
24	390735X1	5	Flat Washer	12-24 X 2,5
26	390972X1	6	Flat Washer	8-17 X 1,7
27	339817X1	X	Washer Metric	
28	3009695X1	3	Nut	M12
29	339881X1	2	Hex. Sock. Screw	M16 X 60
30	4279547M1	1	Support	
31	3010808X1	1	Clip	40 - M8
32	339761X1	1	Bolt	M8 X 25
33	3783956M1	1	Strap	35 - M8
34	394367X1	1	Locknut	M8
35	3011424X1	2	Spacer	11-20 X 40 MM
36	3010875X1	5	Washer	16-30 X 5
37	1440028X1	5	Stud	
38	1442190X1	5	Locknut	
39	339228X1	2	Hex. Sock. Screw	S024035
40	4273141M2	1	Cowl	S024035
41	391039X1	X	Flat Washer	8-24X2
42	339817X1	X	Washer Metric	8.5-16X1

FOOTNOTE [A] CUT TO REQUIRED LENGTH

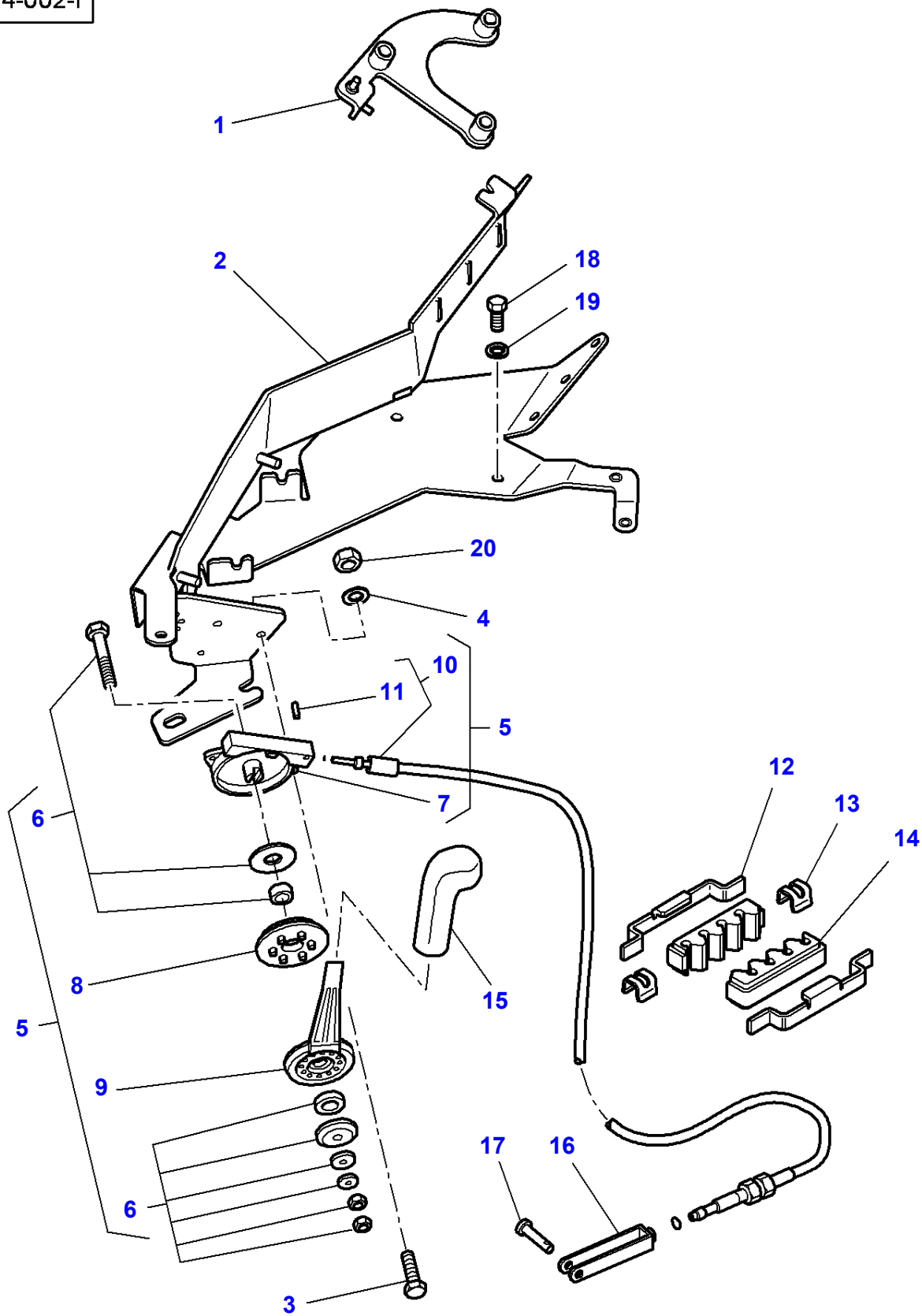
1-WC14-011-D



Throttle Controls

Item	Part Number	Qty	Description	Comments
1	3712851M91	1	Pedal	
2	391286X1	1	Hex. Sock. Screw	M8 X 85
3	3385913M2	4	Bush	
4	3712867M1	1	Spacer	9-12 X 74
5	3784361M1	1	Transducer	
6	3715142M1	2	Spring Nut	M5
7	4270814M1	1	Support	
8	394367X1	1	Locknut	M8
9	3784343M2	1	Cowl	
10	4271320M1	1	Rod Link	
11	392463X1	2	Yoke	6 X 36
12	392235X1	1	Clevis Pin	6 X 20
13	4280636M1	1	Spring	105 MM
14	3712866M2	1	Stem	M6 X 70
15	3712886M1	1	Bellows	
16	3713042M1	1	Clevis Pin	
17	4278950M92	1	Rod	
18	339548X1	1	Roll Pin	4 X 20
19	357145X1	2	Hair Pin	
20	3010804X1	2	Screw	M4 X 16
21	3007850X1	1	Clevis Pin	6 X 12
22	3019139X1	1	Nut	M4
23	357145X1	1	Hair Pin	
24	3784341M2	1	Rod	
25	3010578X1	2	Screw	M5 X 10
26	391883X1	1	Hex. Sock. Screw	M5 X 25
27	357146X1	2	Split Pin	
28	394367X1	2	Locknut	M8
29	339374X1	2	Spring Washer	8-15 X 2
30	339761X1	2	Bolt	M8 X 25

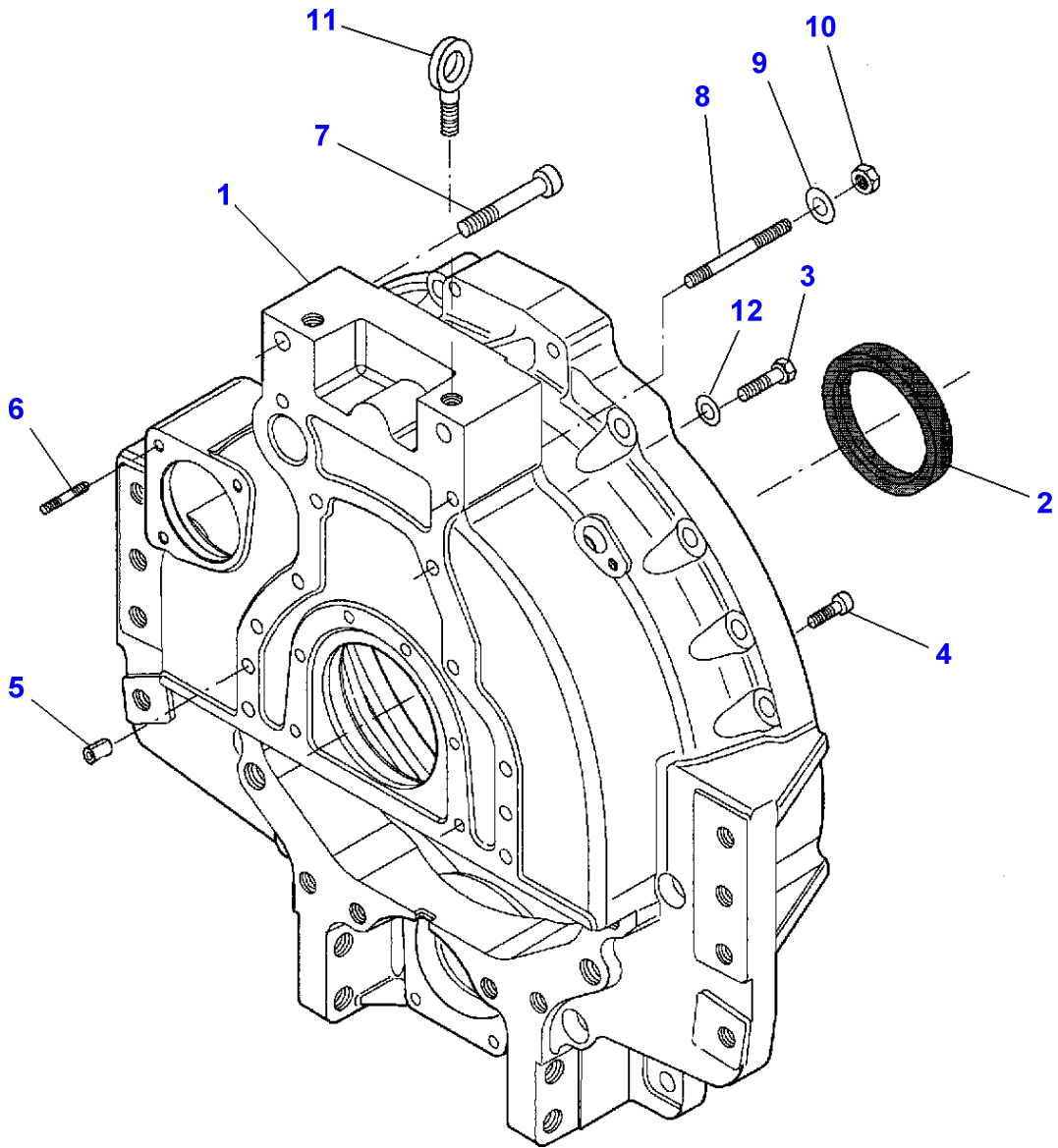
1-WC14-002-F



Throttle Controls

Item	Part Number	Qty	Description	Comments
1	4270719M4	1	Support	
2	3787580M94	1	Support	
3	339563X1	3	Hex. Sock. Screw	M5 X 20
4	3019560X1	3	Washer	5-15 X 1,5
5	4285768M92	1	Case Assy	
6	3785336M3	1	Parts Pack	R072034
	4285770M1	1	Parts Pack	(5) R072035
7	3786152M2	1	Case Assy	R072034
	4285771M1	1	Case Assy	(5) R072035
8	3789513M1	1	Flange	R072034
	4285772M1	1	Flange	(5) R072035
9	3785335M3	1	Lever	R072034
	4285769M1	1	Lever	(5) R072035
10	4271798M3	1	Cable	(5) 4271795M94 (10)
11	339303X1	1	Roll Pin	
12	4270509M2	2	Support	
13	4270510M1	2	Clip	
14	4270508M3	2	Bridle	
15	3785000M1	1	Grip	
16	3616399M1	1	Stirrup	
17	832297M1	1	Clevis Pin	
18	339123X1	2	Bolt	M8 X 20
19	390972X1	2	Flat Washer	8-17 X 1.7
20	1441494X1	3	Nut Metric	M5

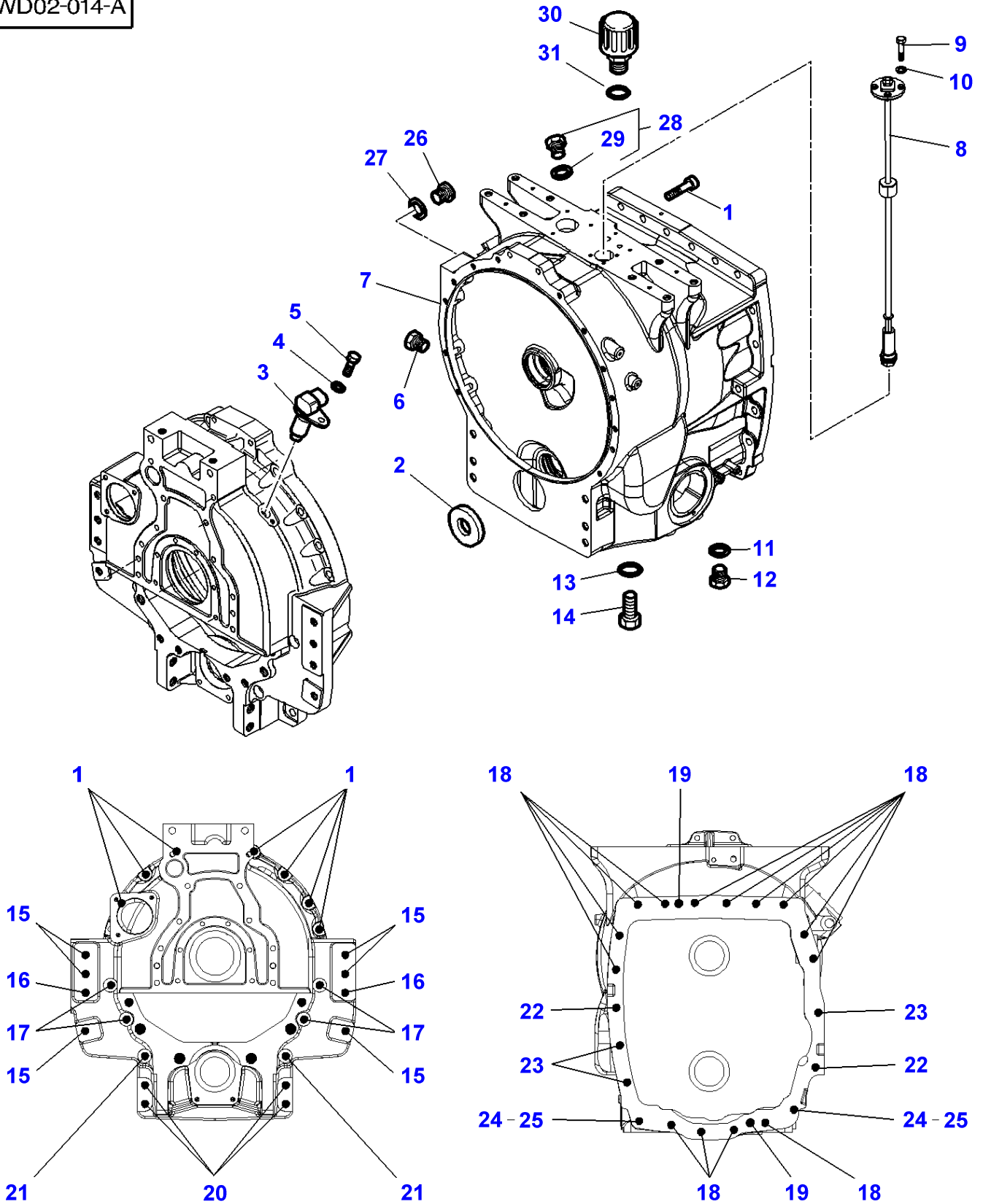
1-WD02-015-A



Front Spacer

Item	Part Number	Qty	Description	Comments
1	V836866842	1	Housing	
2	V836840884	1	Oil Seal	
	V836020054	X	Spacer	2MM
3	V528702230	8	Screw	M12X40
4	V581705030	6	Screw	M10X30
5	V598359850	2	Pin	
6	V546801815	3	Stud	M10X30
7	V581706370	2	Screw	M16X100
8	V546802350	2	Stud	M12X100
9	V500051302	2	Washer	
10	V504601200	2	Nut	M12
11	V836640752	1	Shackle	
12	V500951200	8	Washer	

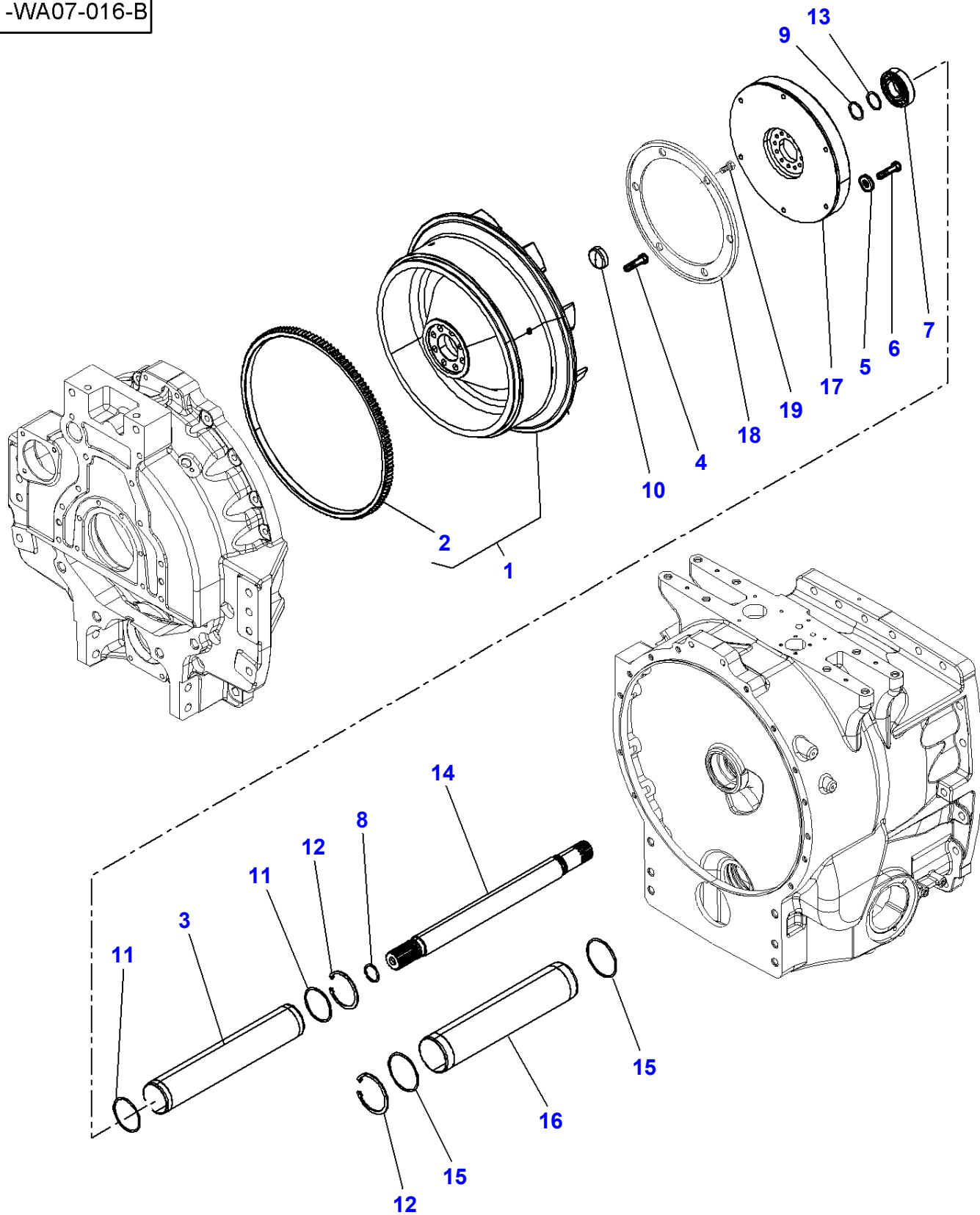
1-WD02-014-A



Front Spacer

Item	Part Number	Qty	Description	Comments
1	3011279X1	9	Screw	M12 X 60
2	816.920.011.031	1	Disc	
3	G816.970.020.040	1	Hall Sensor	
4	339374X1	1	Spring Washer	
5	3009285X1	1	Screw	M8 X 16
6	4278268M1	1	Plug	
7	903.100.050.031	1	Spacer	
8	G916.970.020.021	1	Fuel Transmitter	
9	339721X1	4	Bolt	M5 X 16
10	3019560X1	4	Washer	
11	X540.008.278.000	1	Ring	26 X 31
12	X483.803.200.000	1	Plug	M26 X 1,5
13	X540.009.478.000	1	Ring	30 X 36 X 2
14	916.101.050.100	1	Screw	M30 X 1,5
15	3010556X1	6	Screw Metric	M20 X 70
16	3714795M1	2	Dowel	
17	3011281X1	4	Screw	M12 X 150
18	3009930X1	14	Bolt	M16 X 70
19	X505.578.900.000	2	Dowel	
20	3011023X1	4	Screw	M18 X 65
21	3011282X1	2	Screw	M18 X 150
22	3019874X1	2	Screw Metric	M16 X 115
23	3010007X1	3	Screw Metric	M16 X 60
24	3011610X1	2	Stud	M16 X 70,24
25	3019871X1	2	Nut	M16
26	X483.803.201.000	1	Screw	M26X1,5
27	X540.008.278.000	1	Ring	26X31
28	3011105X91	4	Plug	M22X1,5
29	3011036X1	1	Seal	(28)
30	3716934M1	1	Breather	
31	3011495X1	1	Bush	

1-WA07-016-B

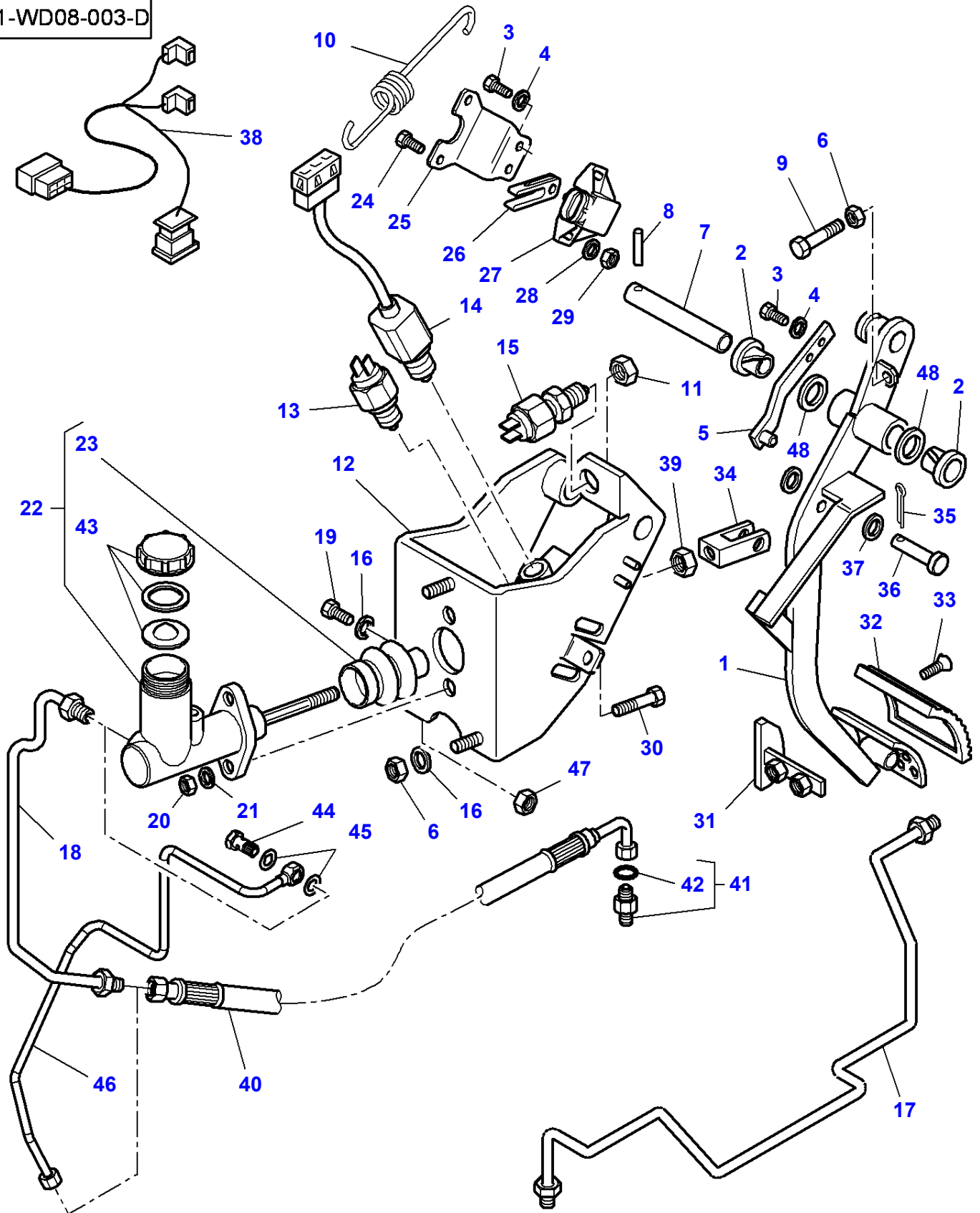


Flywheel & Flywheel Housing

Item	Part Number	Qty	Description	Comments
1	V836867568	1	Flywheel	S19673
	V836867995	1	Flywheel	S19674
2	V836659026	1	Annular Gear	(1)
3	916.100.050.060	1	Pipe	70 X 3
4	3010025X1	8	Hex. Sock. Screw	M14 X 45
	V581705850	8	Screw	M14 X 40
5	390734X1	6	Flat Washer	
6	3010842X1	6	Hex. Sock. Screw	M10 X 60
7	833059M1	1	Bear. 6208 2rs	
8	X548.892.900.000	1	O Ring	
9	X548.901.801.000	1	O Ring	36,2 X 3
10	4271289M1	1	Plug	
11	X548.953.366.000	2	O Ring	69,44 X 3,53
12	339437X1	2	Circlip	80MM
13	339820X1	1	Circlip	40 X 1,5
14	916.100.421.100	1	Drive Shaft	
15	X548.963.400.000	2	O Ring	78,97 X 3,53
16	916.100.050.070	1	Pipe	80 X 2,5
17	916.100.421.052	1	Hydrau Damper	R352036 - MF8470 R341079 - MF8480
	E931.100.420.030	1	Hydrau Damper	R352037 - MF8470 R341080 - MF8480 E931100420010
18	V836867997	1	Ring	S19674
19	V528801750	6	Screw	S19674 M10 X 12

MF 8470/8480 TRACTOR (TIER 3) - 3906071
1-WD08-003-D

1-WD08-003-D

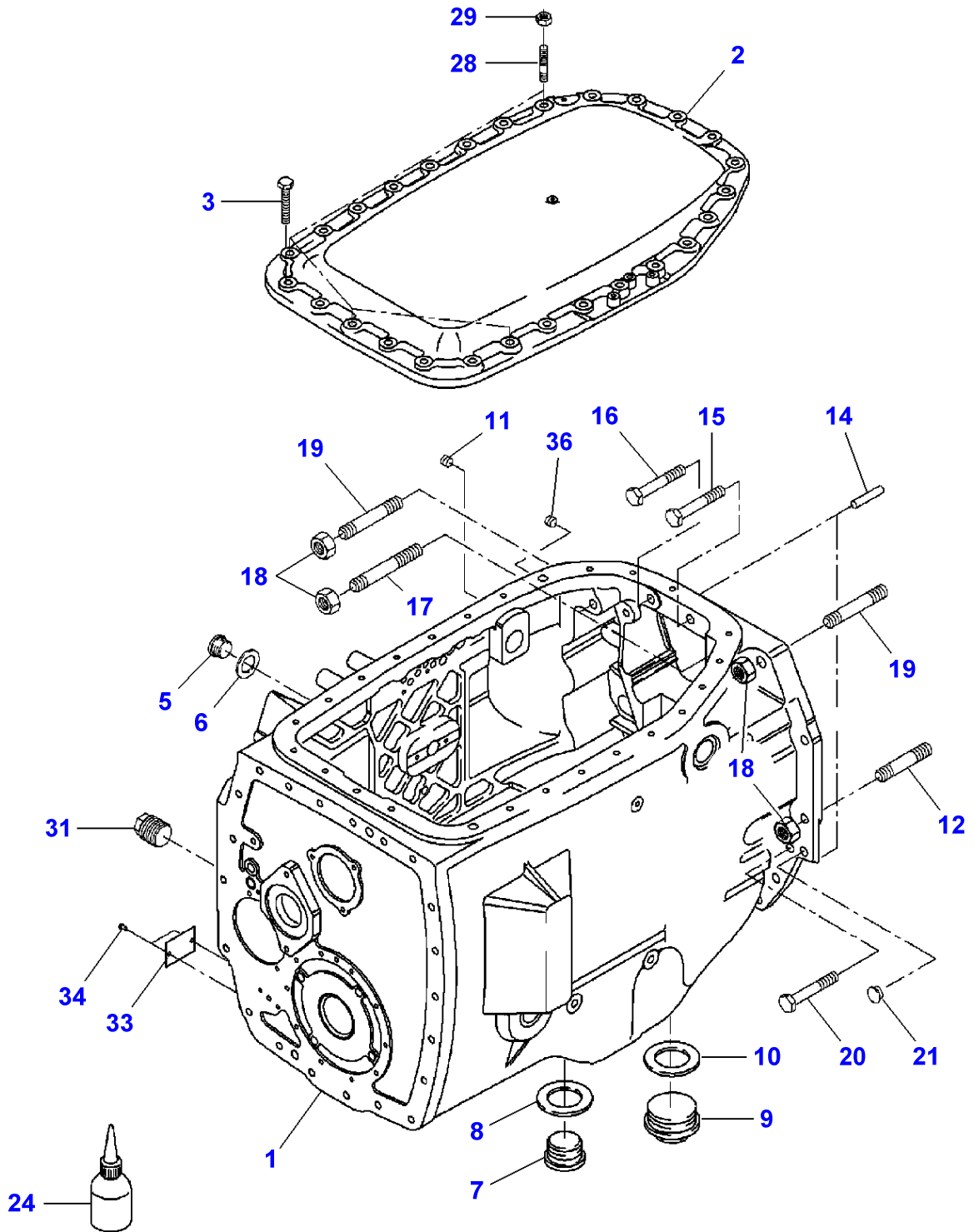


Clutch Control

Item	Part Number	Qty	Description	Comments
1	3785645M5	1	Pedal	
2	3385604M2	2	Bearing	
3	3009281X1	4	Screw	M6 X 16
4	390971X1	4	Flat Washer	6-12 X 1,5
5	4270193M1	1	Strap	
6	339169X1	3	Nut	M8
7	3780939M1	1	Clevis Pin	15 X 100
8	391290X1	1	Roll Pin	5 X 30
9	4271907M1	1	Screw	M8 X 25
10	3788068M1	1	Spring	
11	339070X1	1	Nut	M14
12	4271987M2	1	Support	
13	4272778M1	1	Switch,Indirect	
14	4295389M1	1	Switch,Indirect	3783832M2
15	4271809M1	1	Switch,Indirect	
16	390972X1	3	Flat Washer	8-17 X 1,7
17	4275085M2	1	Tube	
18	4275099M1	1	Tube	
19	339123X1	1	Bolt	M8 X 20
20	339402X1	2	Nut	M10
21	390734X1	2	Flat Washer	10-21 X 2
22	4278077M1	1	Main Cylinder	
	4281625M1	1	Main Cylinder	[A]
23	3903845M1	1	Bellows	(22)
24	3010818X1	2	Hex Socket Screw	M4 X 20
25	4270192M1	1	Strap	
26	411301050040	1	Fork	
27	3784361M1	1	Transducer	
28	390468X1	4	Washer	4-9 X 1
29	3019139X1	2	Nut	M4
30	3009493X1	2	Bolt	M10 X 30
31	3714488M4	1	Stop	
32	1626321M2	1	Skate	
33	392404X1	2	Screw	M5 X 16
34	4278844M1	1	Clevis	
35	1442994X1	1	Split Pin	3 X 25
36	3019214X1	1	Clevis Pin	12 X 40
37	1444351X1	2	Washer	
38	3783857M1	1	Harness	
39	392310X1	1	Nut	
40	4276159M3	1	Hydr. Hose	1100 MM
41	338716X91	1	Union	M12X1,5
42	338761X1	1	O Ring	(41)
43	3907807M91	1	Plug	(22)
44	4281624M1	1	Banjo Bolt	[A] M12 x 1.5
45	1440700X1	2	Seal	[A]
46	4281622M1	1	Tube	[A]
47	339169X1	1	Nut	M8
48	339794X1	2	Washer Metric	15-26 X 1

FOOTNOTE [A] WITH "AUTO-GUIDE"

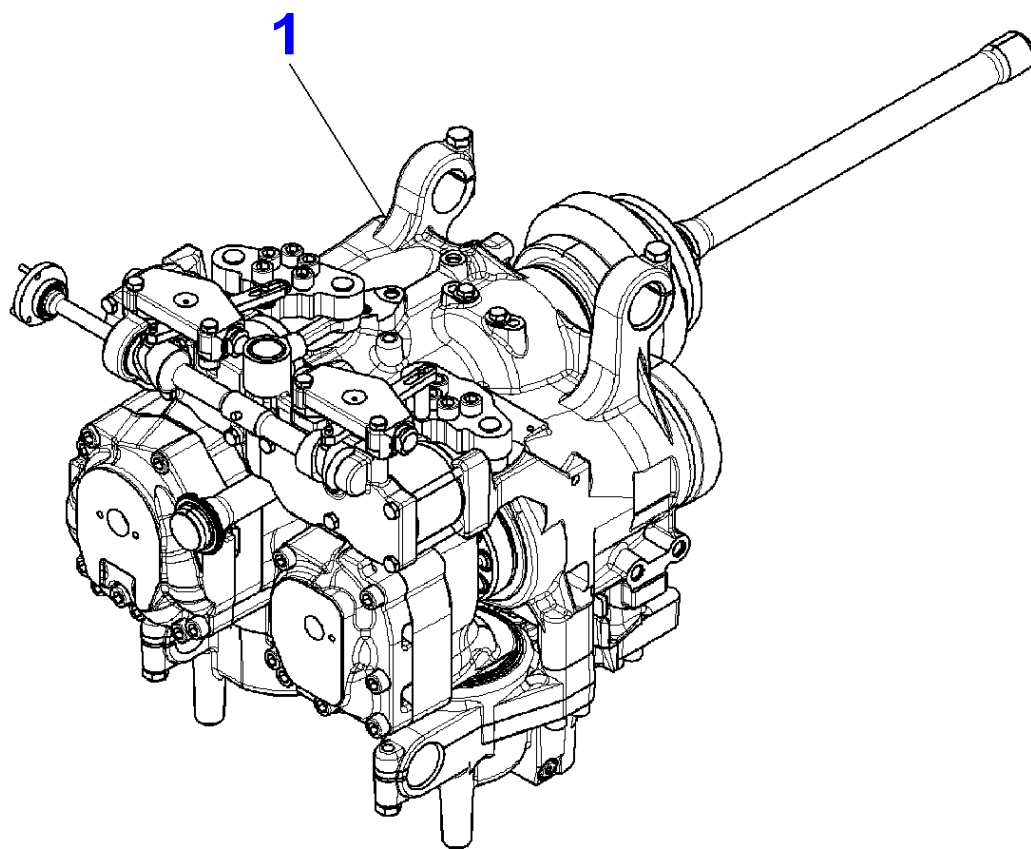
1-WE97-006-A



Transmission - Housing

Item	Part Number	Qty	Description	Comments
1	903.100.050.021	1	Transm.Housing	
2	916.101.050.060	1	Cover	
3	X487.536.041.000	23	Screw	M12 X 50
5	X483.801.200.000	1	Screw	M16 X 1,5
6	X540.004.878.000	1	Ring	
7	X483.804.801.000	3	Plug	M33 X 2
8	X540.010.278.000	3	Ring	
9	X483.807.201.000	2	Cap Screw	M42 X 2
10	X540.012.278.000	2	Ring	
11	X483.500.200.000	1	Screw	M10
12	X489.145.701.000	2	Stud	M16 X 55
14	X505.578.900.000	2	Dowel	M6 X 32
15	X486.546.301.000	1	Screw	M16 X 80
16	X486.546.506.000	1	Screw	M16 X 90
17	X489.148.906.000	2	Stud	M16 X 110
18	X428.204.005.000	7	Nut	M16
19	X489.146.201.000	3	Stud	M16 X 75
20	X487.545.606.000	8	Screw	M16 X 60
21	X499.502.495.000	3	Plug	
24	X903.050.074.000	X	Loctite	
28	205.100.150.130	4	Stud	
29	X428.203.241.000	4	Nut	M12
31	926.110.050.010	1	Screw	
33	903.100.050.110	1	Identity Plate	
34	X419.432.887.000	2	Nail, Notched	
36	X483.500.200.000	2	Screw	M10 X 1

1-WG89-001-A



Massey Ferguson

MF 8470/8480 TRACTOR (TIER 3) - 3906071

3906071

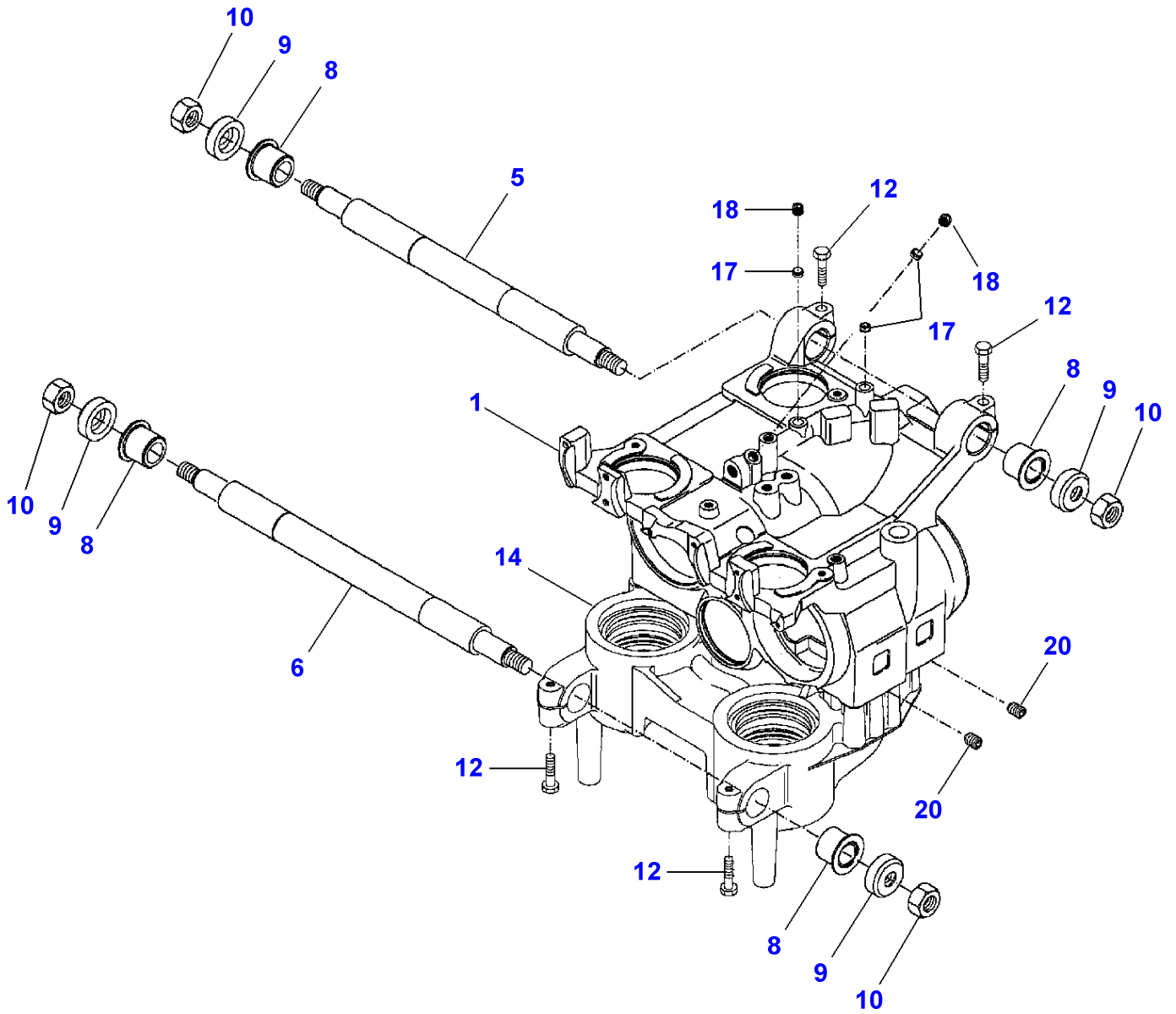
Gear Box

Page025-0010

Item	Part Number	Qty	Description	Comments
1	0099.047.000.000	1	Gearbox MI 200	
	Z099.047.000.000	1	Gearbox MI 200	[A]

FOOTNOTE [A] STANDARD EXCHANGE

1-WG67-002-A

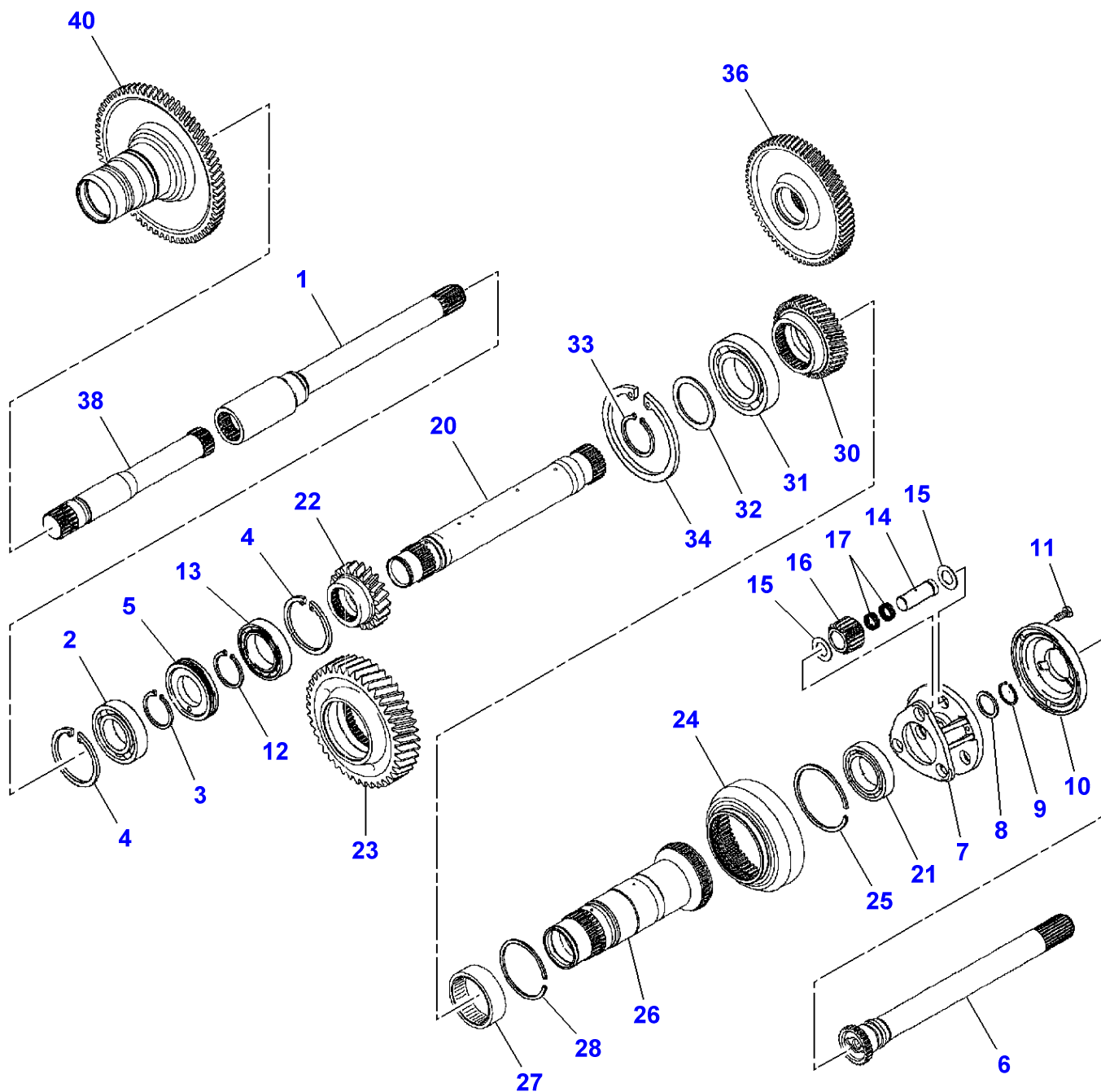


Inner Housing

Item	Part Number	Qty	Description	Comments
1		1	Housing	[A] 025-0010/1
5	916.100.630.011	1	Shaft	
6	916.100.630.020	1	Shaft	
8	H916.100.630.010	4	Bush	
9	916.100.630.030	4	Ring	
10	X434.105.040.000	4	Nut	M20
12		4	Hex. Sock. Screw	[A]
14		1	Plate	025-0045/1
17		3	Nozzle	[A]
18		3	Plug	[A]
20		2	Screw	M12 X 1,5 [A]

FOOTNOTE [A] NOT SUPPLIED SEPARATELY

1-WG68-002-A

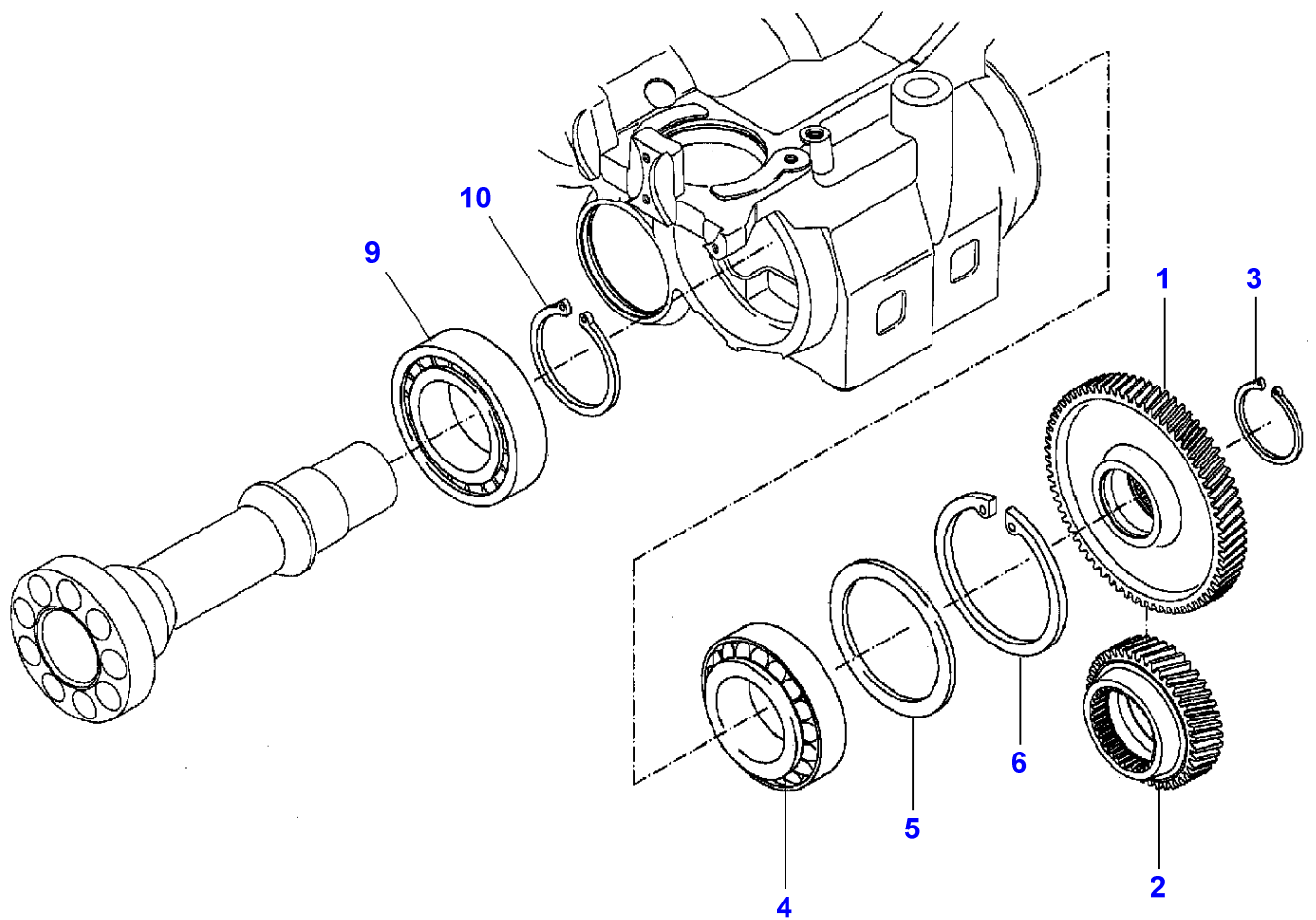


Planetary Drive

Item	Part Number	Qty	Description	Comments
1		1	Shaft	[A]
2		1	Bearing Assy	[A]
3		1	Circlip	[A]
4		2	Circlip	[A]
5		1	Tube	[A]
6	926102080130	1	Shaft	050-0005/42
7		1	Carrier	[A]
8		1	Chock	[A]
9		1	Circlip	[A]
10	916100080181	1	Cover	
11		3	Hex. Sock. Screw	[A] M8 X 25
12		1	Kit, Circlip	[A]
13		1	Bearing Assy	[A]
14		3	Clevis Pin	[A]
15		6	Washer	[A]
16		3	Diff Pinion	[A] 20
17		6	Needle Cage	[A]
20		1	Shaft	[A] 27
21		1	Bearing Assy	[A]
22		1	Pinion	[A] 22
23		1	Shaft	025-0030/1
24		1	Annular Gear	[A]
25		1	Ring	[A] 95 X 2,5
26		1	Shaft	[A]
27		1	Bearing Assy	[A] 68 X 25
28		1	Ring	[A] 82 X 2
30		1	Pinion	[A] 30
31		1	Bearing Assy	[A]
32		1	Kit, Washer	[A]
33		1	Circlip	[A] 60 X 2
34		1	Circlip	[A] 110 X 4
36		1	Pinion	025-0025/1
38	916101080070	1	Shaft	
40		1	Pinion	070-0085/1

FOOTNOTE [A] NOT SUPPLIED SEPARATELY

1-WG69-002-A

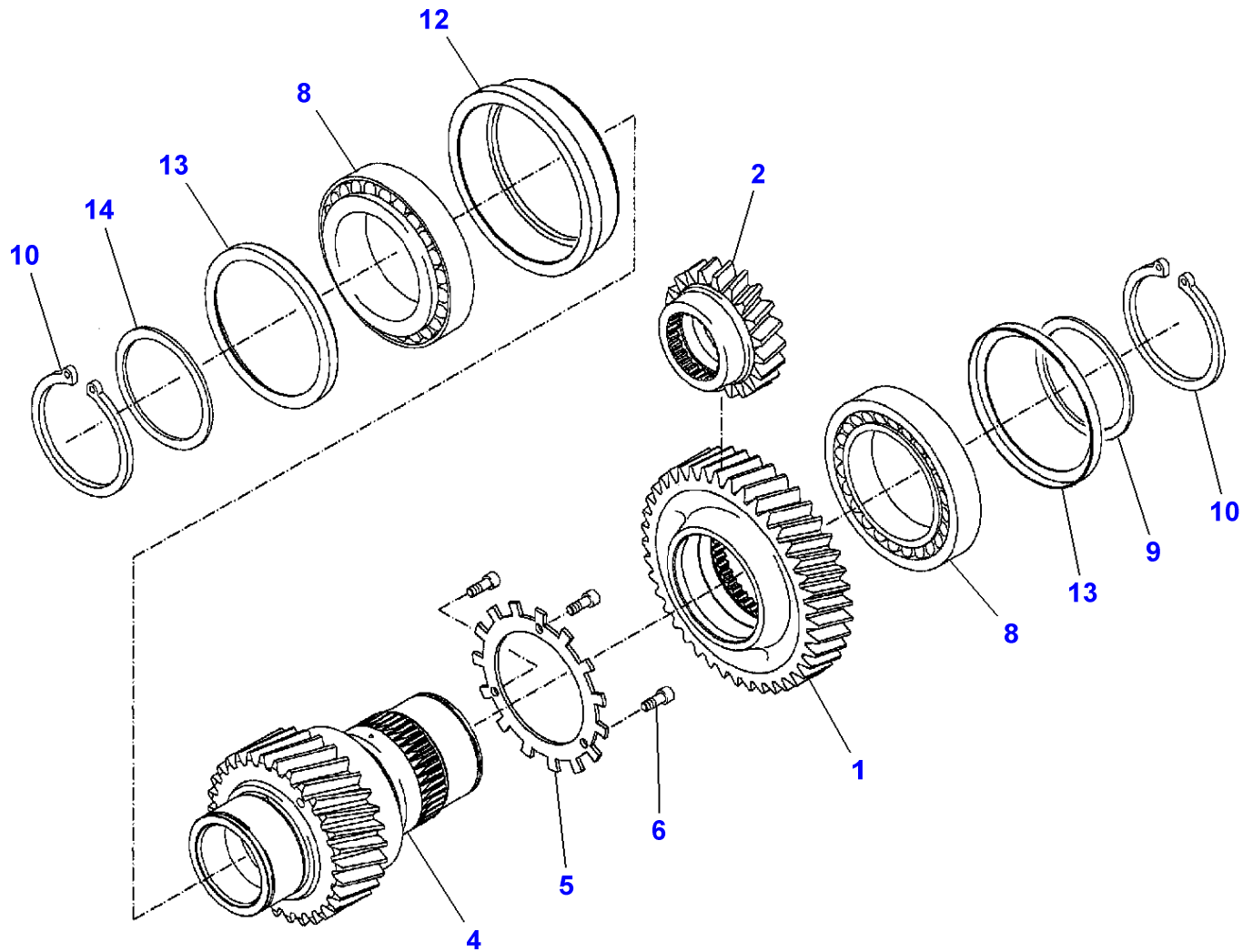


Massey Ferguson**MF 8470/8480 TRACTOR (TIER 3) - 3906071****3906071****Page 025-0025****Pump Shaft**

Item	Qty	Description	Comments
1	1	Pinion	[A] 48
2	1	Pinion	[A] 025-0020/30
3	1	Circlip	[A] 55 X 3
4	1	Ball Bearing	[A]
5	1	Chock	[A]
6	1	Circlip	[A] 125 X 4
9	1	Bearing Assy	[A]
10	1	Circlip	[A]

FOOTNOTE [A] NOT SUPPLIED SEPARATELY

1-WG70-002-A



Massey Ferguson**MF 8470/8480 TRACTOR (TIER 3) - 3906071****3906071****Page025-0030****Accumulator Shaft**

Item	Qty	Description	Comments
1	1	Pinion	[A] 45
2	1	Pinion	025-0020/22
4	1	Shaft	[A] 29
5	1	Pinion	[A]
6	3	Hex. Sock. Screw	[A] M6 X 12
8	2	Ball Bearing	[A]
9	1	Shim	[A]
10	2	Circlip	[A]
12	1	Ring	[A]
13	2	Shield	[A]
14	1	Kit, Washer	[A]

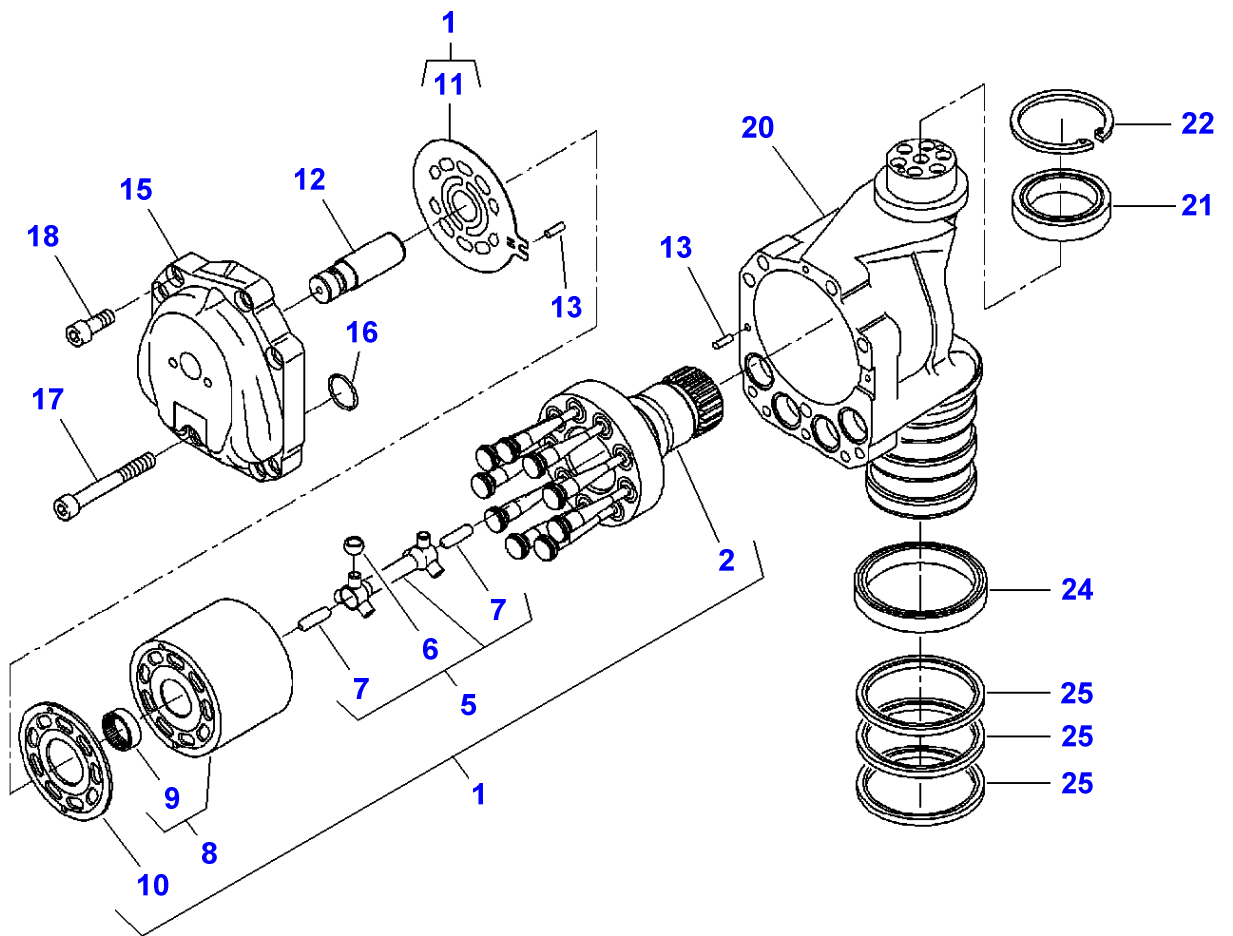
FOOTNOTE [A] NOT SUPPLIED SEPARATELY

Hydraulic Pump

Item	Part Number	Qty	Description	Comments
1		1	Assembly Set	[A]
2		1	Shaft	[A]
				(1)
5		1	Clevis Pin	[A]
				(1)
6		1	Bush	[A]
				(5)
7		1	Clevis Pin	[A]
				(5)
8		1	Cylinder	[A]
				(1)
9		1	Bearing Assy	[A]
				(8)
10		1	Plate	[A]
				(1)
11	916.100.430.311	1	Plate	(1)
12		1	Clevis Pin	(15)
				REF. 15
13	X506.239.300.000	2	Dowel	6 X 20
15	H916.100.430.012	1	Cover	
16	X548.885.102.000	4	O Ring	29,1 X 2,55
17	X485.019.801.000	1	Hex. Sock. Screw	M12 X 80
18		9	Hex. Sock. Screw	[A]
				M12 X 50
20	916.101.430.101	1	Housing	
21	X620.430.501.000	1	Bearing	60 X 85 X 16
22	X530.107.946.000	1	Circlip	
24	X622.348.000.000	1	Roller Bearing	95 X 115 X 15
25	G916.101.430.050	3	Gasket	

FOOTNOTE [A] NOT SUPPLIED SEPARATELY

1-WP26-002-A

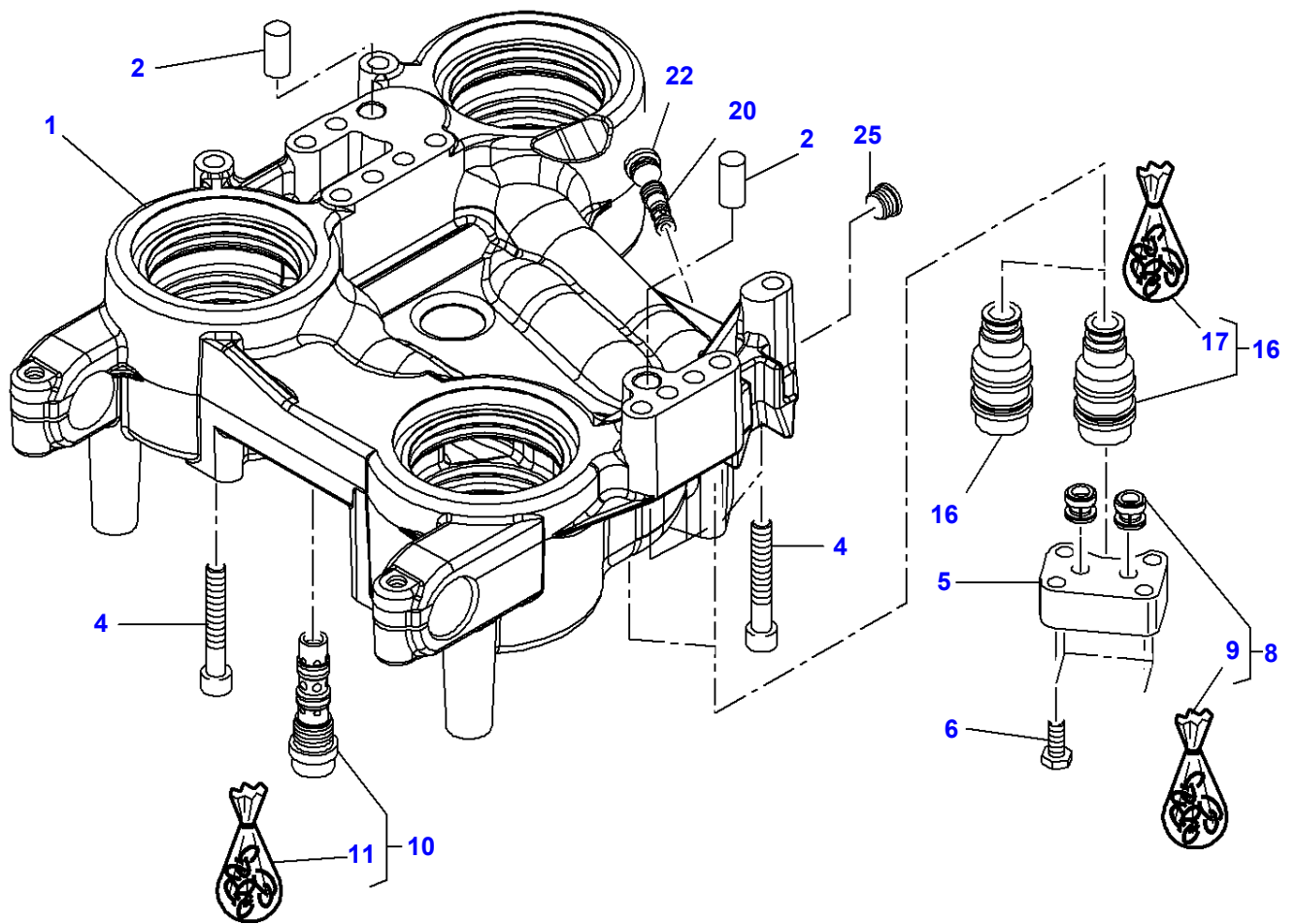


Hydraulic Motor

Item	Part Number	Qty	Description	Comments
1		1	Assembly Set	[A]
2		1	Shaft	[A] (1)
5		1	Gasket	[A] (1)
6		1	Bush	[A] (5)
7		2	Clevis Pin	[A] (5)
8		1	Cylinder	[A] (1)
9		1	Bearing Assy	[A] (8)
10		1	Plate	[A] (1)
11		1	Plate	[A] (1)
12		1	Clevis Pin	[A]
13		2	Pin	[A]
15		1	Cover	[A]
16	X548.885.102.000	4	O Ring	29,1 X 2,55
17		1	Screw	[A] M12 X 80
18		9	Screw	[A] M12 X 50
20		1	Housing	[A]
21		1	Bearing	[A] 60 X 85 X 16
22		1	Circlip	[A]
24		1	Roller Bearing	[A] 95 X 115 X 15
25		3	Gasket	[A]

FOOTNOTE [A] NOT SUPPLIED SEPARATELY

1-WG72-002-B

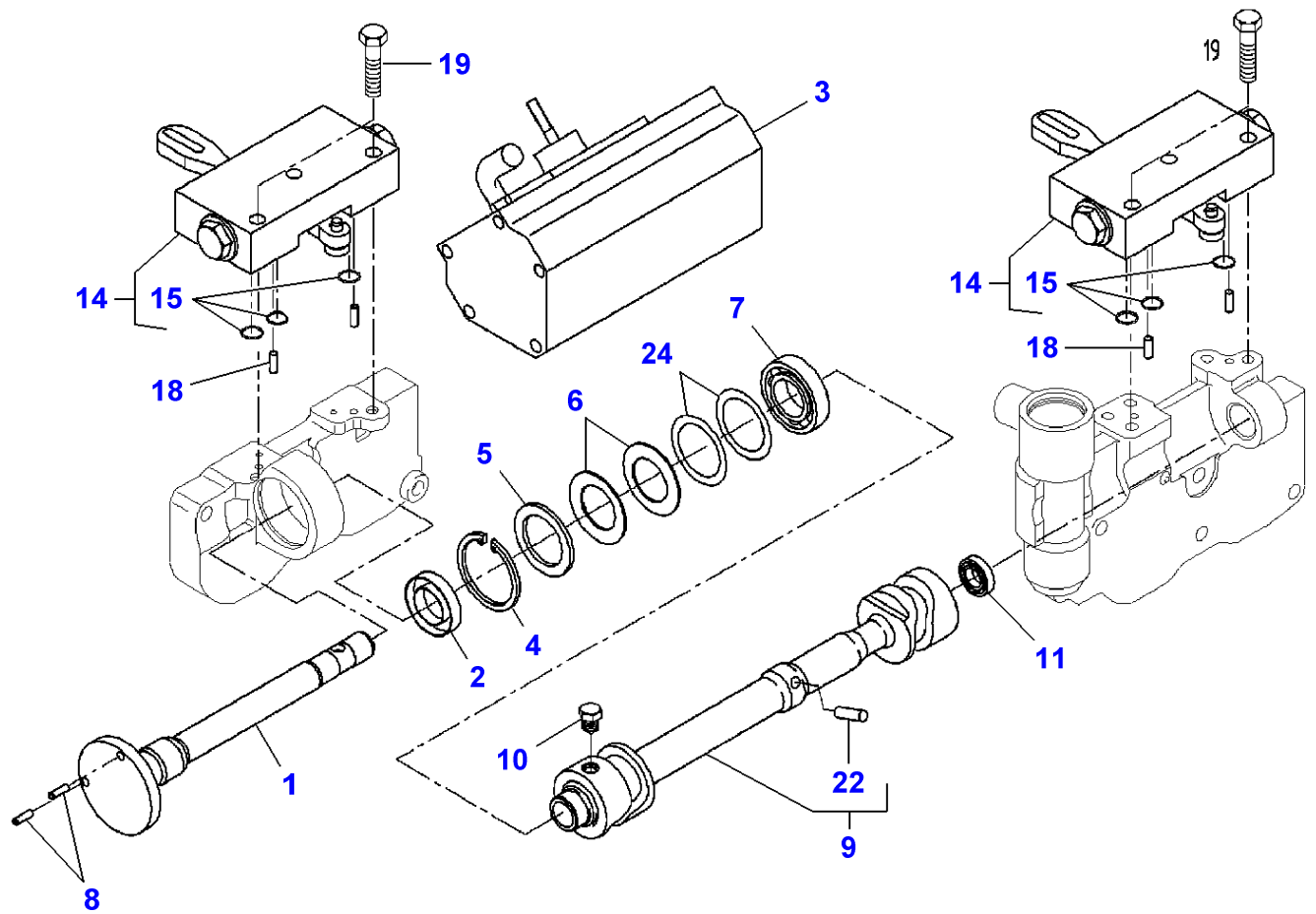


Duct Plate

Item	Part Number	Qty	Description	Comments
1		1	Plate	[A] 025-0010/1
2		2	Pin	[A]
4		13	Screw	[A] M12 X 80
5	916.100.430.020	1	Flange	
6		4	Screw	[A] M10 X 40
8	X600.585.202.000	2	Non Return Valve	
9	X600.585.202.010	1	Kit, Joint	(8)
10	G916.101.430.020	1	Flushing Valve	
11	F916.100.430.010	1	Kit, Joint	(10)
16	G716.100.430.011	2	Discharge Valve	G716100430010
17	F716.100.430.010	1	Kit, Joint	(16)
20	G916.101.430.030	1	Valve	
22	X483.900.400.000	1	Screw	M12 X 1,5
25	X483.900.800.000	1	Screw	

FOOTNOTE [A] NOT SUPPLIED SEPARATELY

1-WG73-003-A

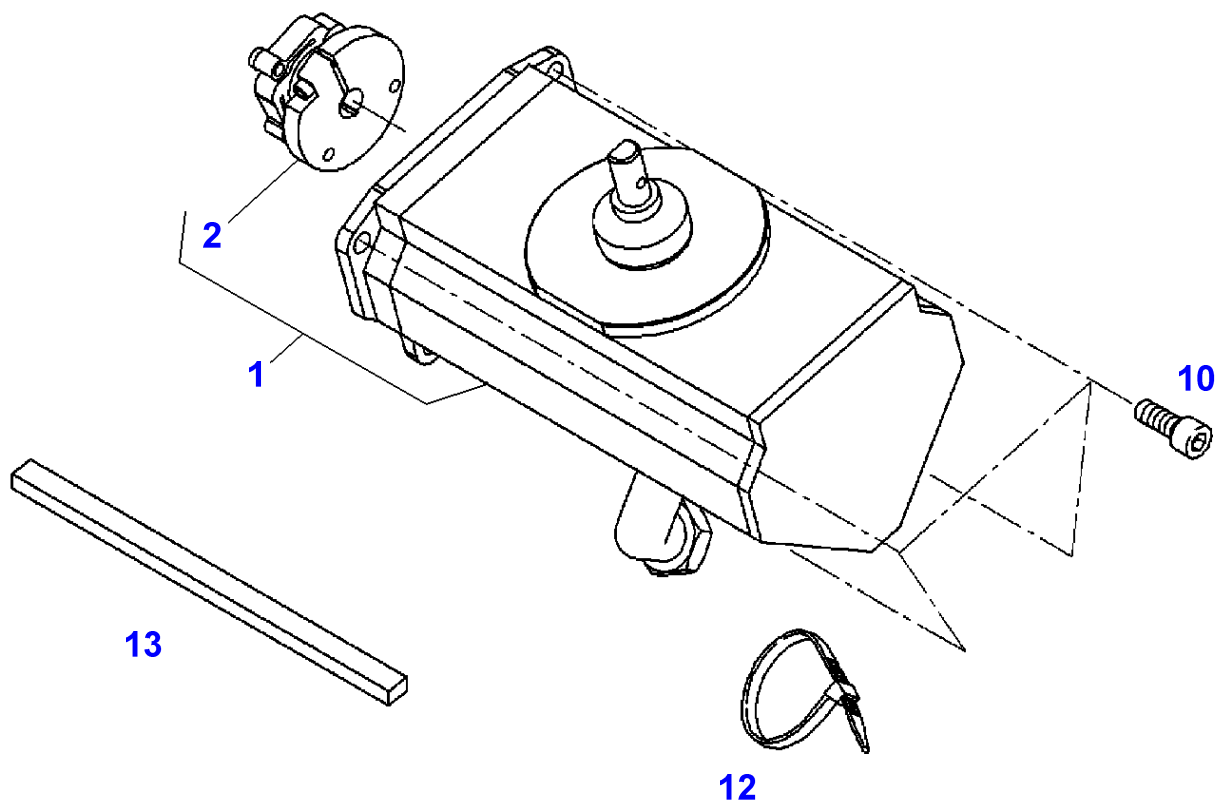


Adjusting Device

Item	Part Number	Qty	Description	Comments
1	916.101.530.010	1	Shaft	
2	X550.035.200.000	1	Oil Seal	22 X 35 X 8/7
3		1	Control	025-0055/1
4	X530.105.346.000	1	Circlip	42 X 1,75
5	X534.538.146.000	2	Backup Ring	
6	X699.239.900.000	2	Cup Spring	
7	X607.305.302.000	1	Ball Bearing	
8	916.970.160.401	2	Peg	
9	H926.103.530.020	1	Shaft	
10	916.100.530.170	1	Screw	
11	X606.722.501.000	1	Ball Bearing	
14	G916.100.530.013	2	Regulator	
15	X548.823.200.000	3	O Ring	(14) 9,25 X 1,78
18		4	Pin	[A]
19		4	Hex. Sock. Screw	[A]
22	X506.239.300.000	1	Dowel	M6 X 20
24	G001.990.200.140	1	Kit, Washer	

FOOTNOTE [A] NOT SUPPLIED SEPARATELY

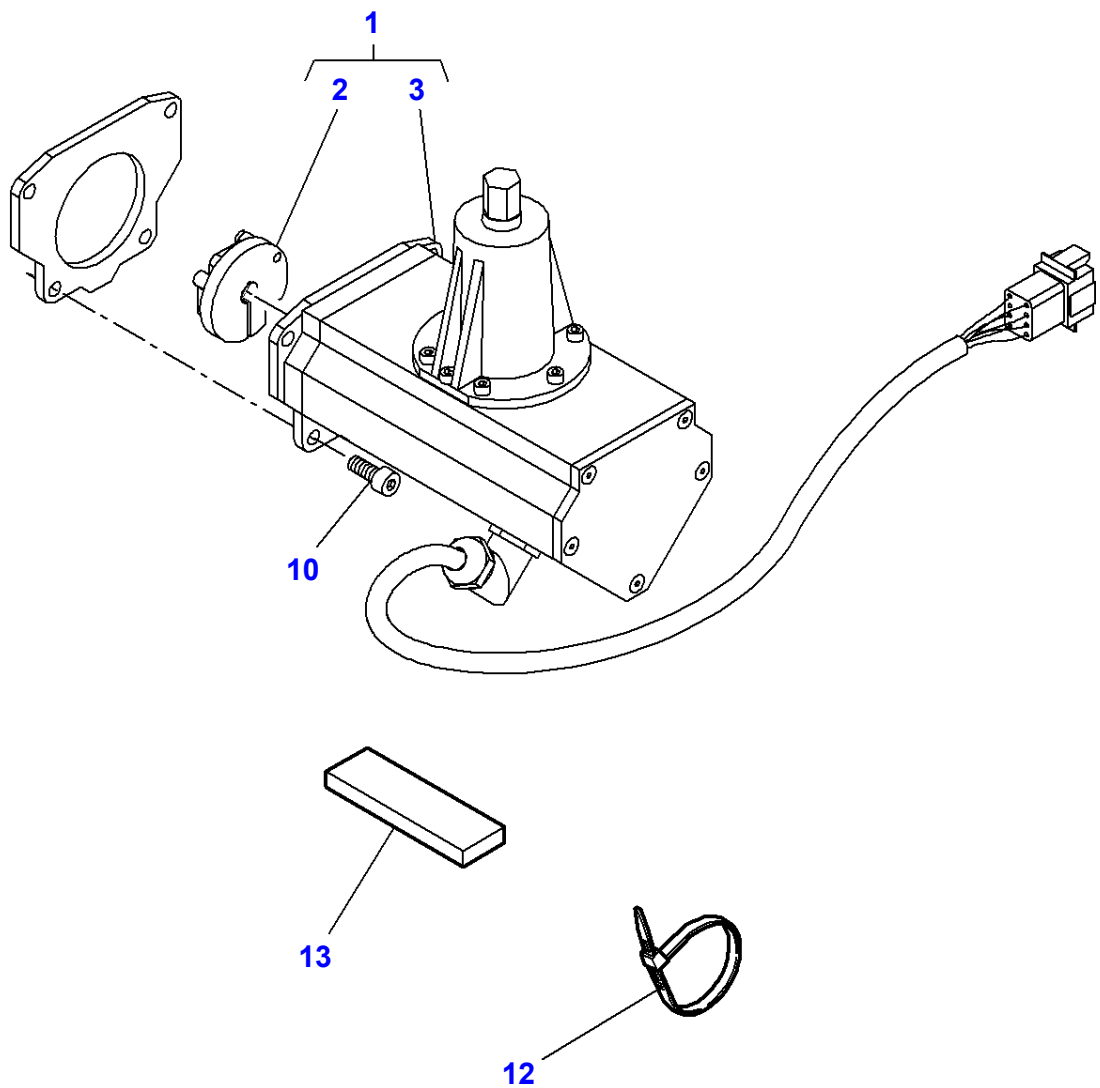
1-WG88-001-A



Massey Ferguson**MF 8470/8480 TRACTOR (TIER 3) - 3906071****3906071****Transmission Control - From 903/0101 - Up To 903/0300 - From 903/1001 - Up To 903/1783****Page025-0055**

Item	Part Number	Qty	Description	Comments
1	G701.970.160.012	1	Control	
2	F916.970.160.011	1	Coupling	(1)
10	X485.007.301.000	4	Hex. Sock. Screw	M8 X 20
12	X668.980.522.000	2	Cable Tie	
13	X903.005.286.000	X	Sealing Strip	100 MM

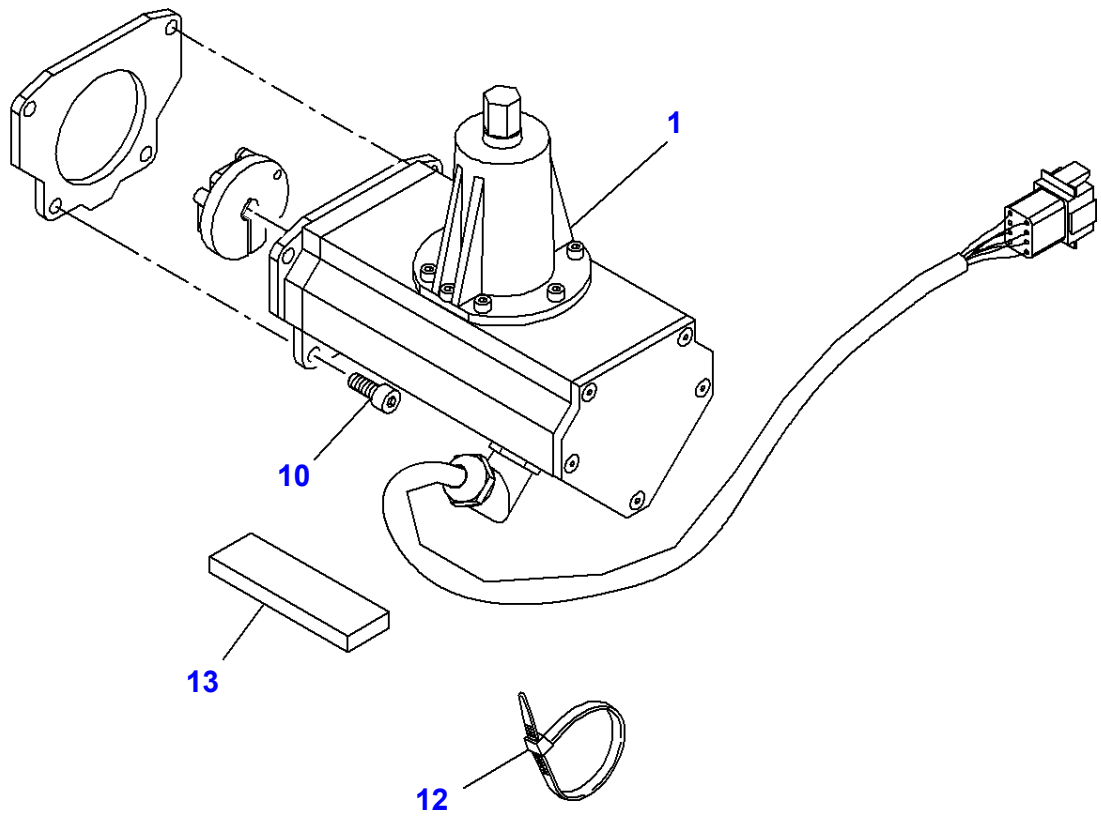
1-WG88-004-A



Massey Ferguson**MF 8470/8480 TRACTOR (TIER 3) - 3906071****3906071****Transmission Control - From 903/1784 - Up To 903/2712****Page025-0060**

Item	Part Number	Qty	Description	Comments
1	G701.970.160.050	1	Control	
2	F916.970.160.011	1	Coupling	(1)
3	G718.970.160.300	1	Control	(1)
10	X485.007.301.000	4	Hex. Sock. Screw	M8 X 20
12	X668.980.522.000	2	Cable Tie	
13	X903.005.286.000	1	Sealing Strip	100 MM

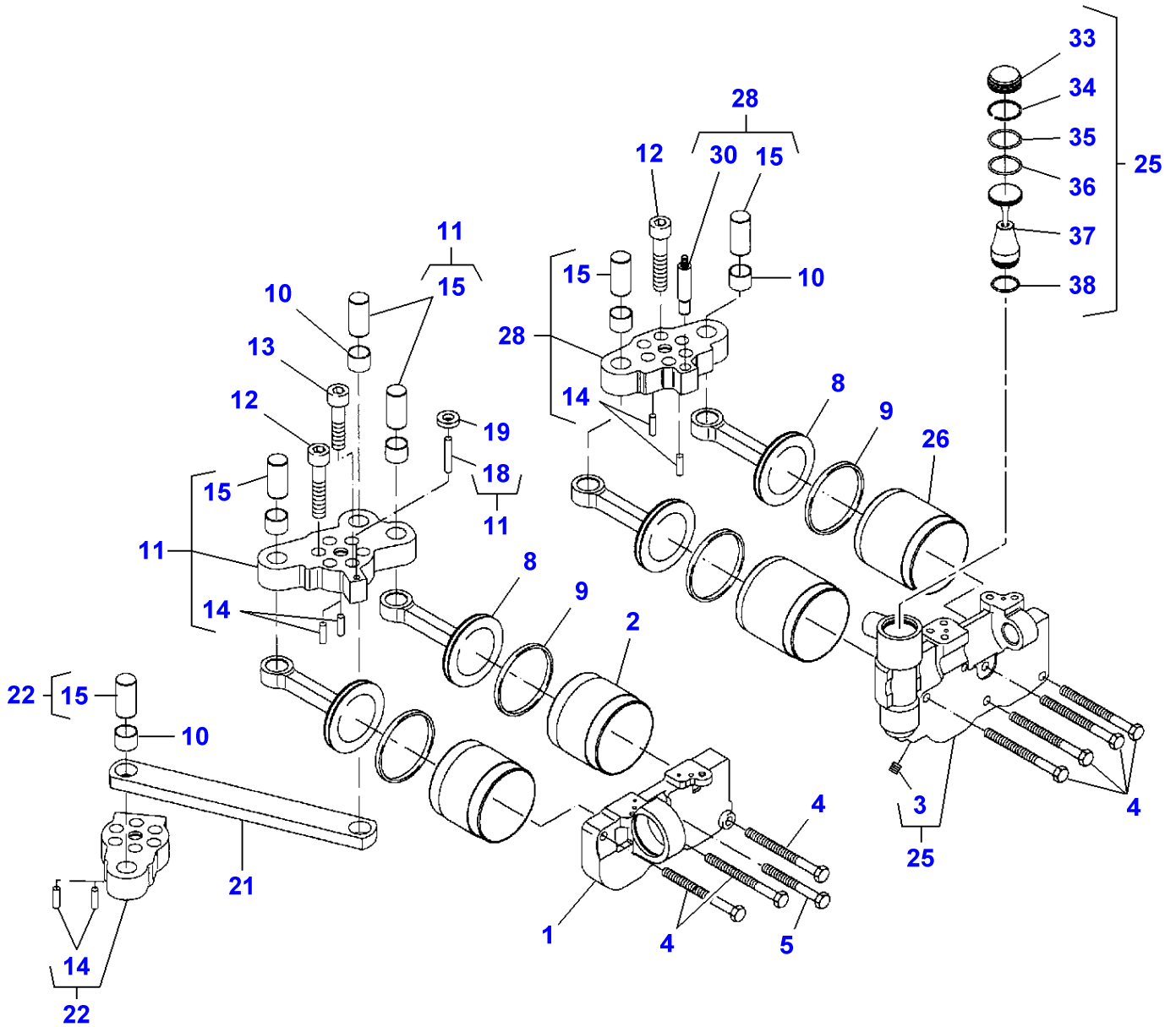
1-WG88-007-A



Massey Ferguson**MF 8470/8480 TRACTOR (TIER 3) - 3906071****3906071****Transmission Control - From 903/2713****Page025-0065**

Item	Part Number	Qty	Description	Comments
1	G701.970.160.060	1	Control	
10	X485.007.301.000	4	Hex. Sock. Screw	
12	X668.980.522.000	2	Cable Tie	
13	X903.005.286.995	X	Sealing Strip	1 X 100 MM

1-WG73-004-A



Adjusting Device

Item	Part Number	Qty	Description	Comments
1	718.100.531.020	1	Housing	
2	916.100.530.041	2	Pipe	
3		1	Hex. Sock. Screw	(25) M8 X 8 REF. 25
4		7	Hex. Sock. Screw	[A] M8 X 90
5		1	Hex. Sock. Screw	[A] M8 X 70
8	916.101.530.050	4	Piston	
9	X547.502.700.000	4	Sump Gasket	70 X 4,2
10		6	Bearing	[A]
11		1	Lever	[A,B]
12		17	Screw	[A] M12 X 50
13		1	Screw	[A] M12 X 40
14		6	Pin	[A]
15		6	Clevis Pin	[A]
18		1	Pin	[A]
19		3	Washer	[A]
21		1	Shackle	[A]
22		1	Lever	[A,D]
25	H718.100.531.010	1	Housing	
26	916.100.530.060	2	Pipe	
28		1	Lever	[A,C]
30		1	Clevis Pin	[A]
33		1	Cover	(25) REF. 25
34		1	Ring	(25) REF. 25
35		1	Gasket	(25) REF. 25
36		1	Gasket	(25) REF. 25
37		1	Clevis Pin	(25) REF. 25
38		1	Gasket	(25) REF. 25

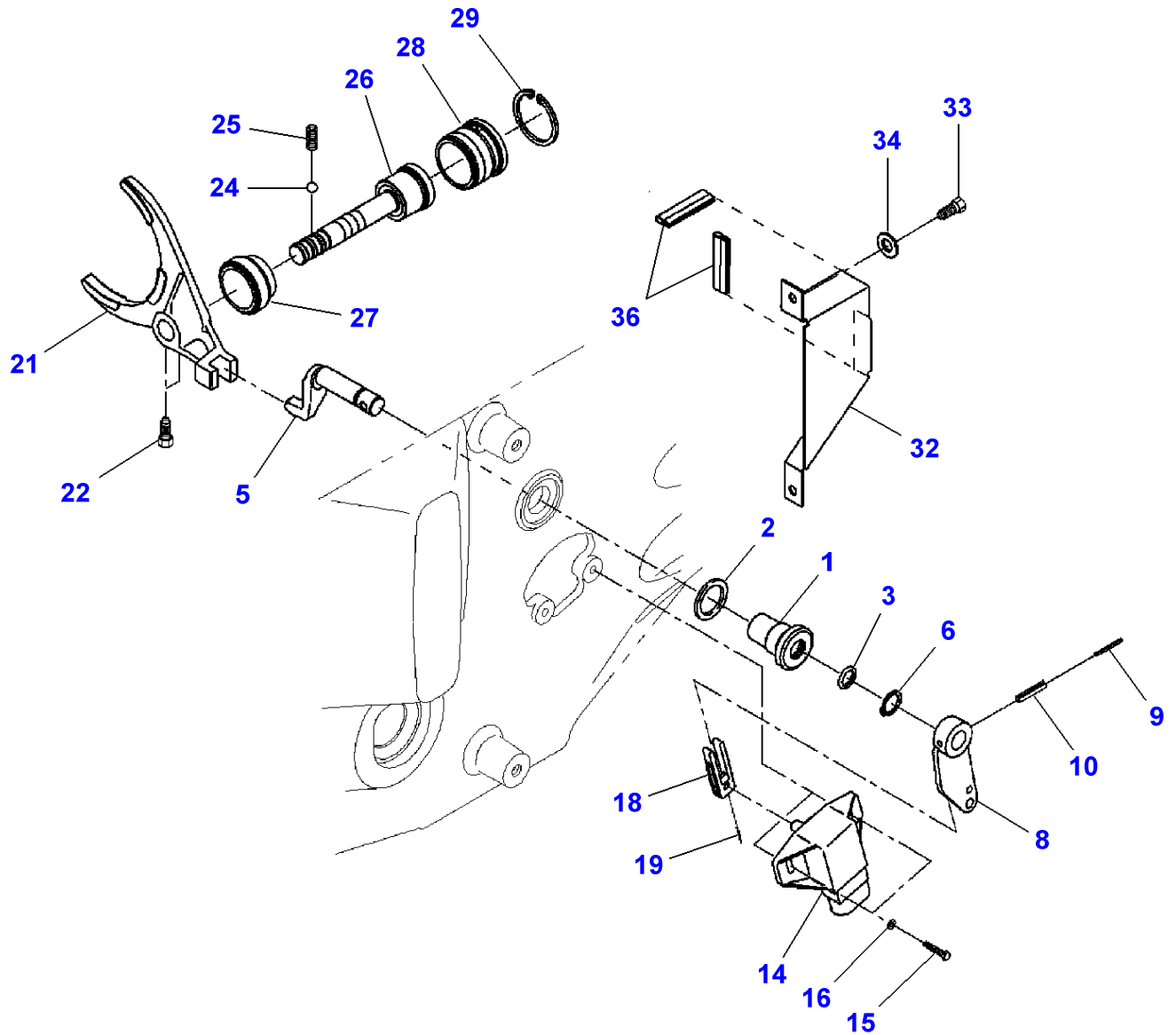
FOOTNOTE [A] NOT SUPPLIED SEPARATELY

FOOTNOTE [B] INCLUDES REF. 14,15,18

FOOTNOTE [C] INCLUDES REF. 14,15,30

FOOTNOTE [D] INCLUDES REF. 14,15

1-WG75-002-A

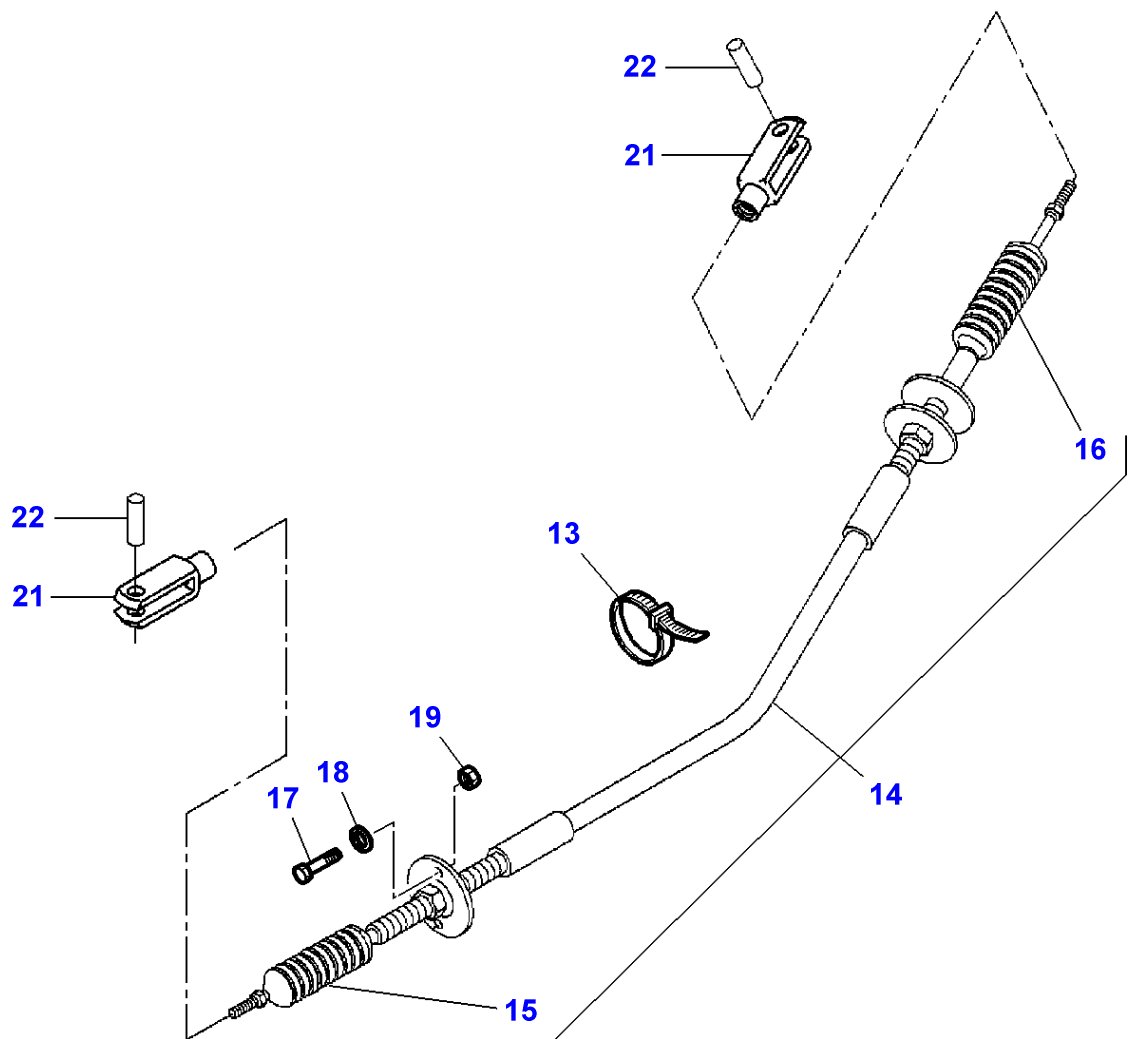


Group Gear Shifting

Item	Part Number	Qty	Description	Comments
1		1	Guide Bush	[A]
2	X540.008.278.000	1	Ring	
3	X548.848.066.000	1	O Ring	
5	205.116.300.081	1	Finger	
6	X530.014.446.000	1	Circlip	
8	H916.101.170.010	1	Lever	
9	X500.613.146.000	1	Roll Pin	
10	X500.624.946.000	1	Roll Pin	
14	G916.971.020.033	1	Sensor	
15	X487.513.841.000	2	Screw	M4 X 16
16	X450.003.308.000	2	Disc	
18	916.101.170.020	1	Driving	
19	X500.604.900.000	1	Roll Pin	
21	926.103.080.020	1	Shift Fork	
22	X477.027.705.000	2	Screw	M8 X 20
24	X624.206.000.000	1	Ball	
25	012.100.090.080	1	Spring	
26	926.103.080.010	1	Cylinder Rod	
27	716.101.081.020	1	Piston	
28	716.101.081.030	1	Cover	
29	X530.105.946.000	1	Circlip	
32	916.101.170.010	1	Protection.	
33	X490.522.300.000	2	Screw	
34	X450.005.108.000	2	Washer	
36	X304.285.000.000	1	Protective Strip	100 MM 1X 30 MM 1X 60 MM

FOOTNOTE [A] NOT SUPPLIED SEPARATELY

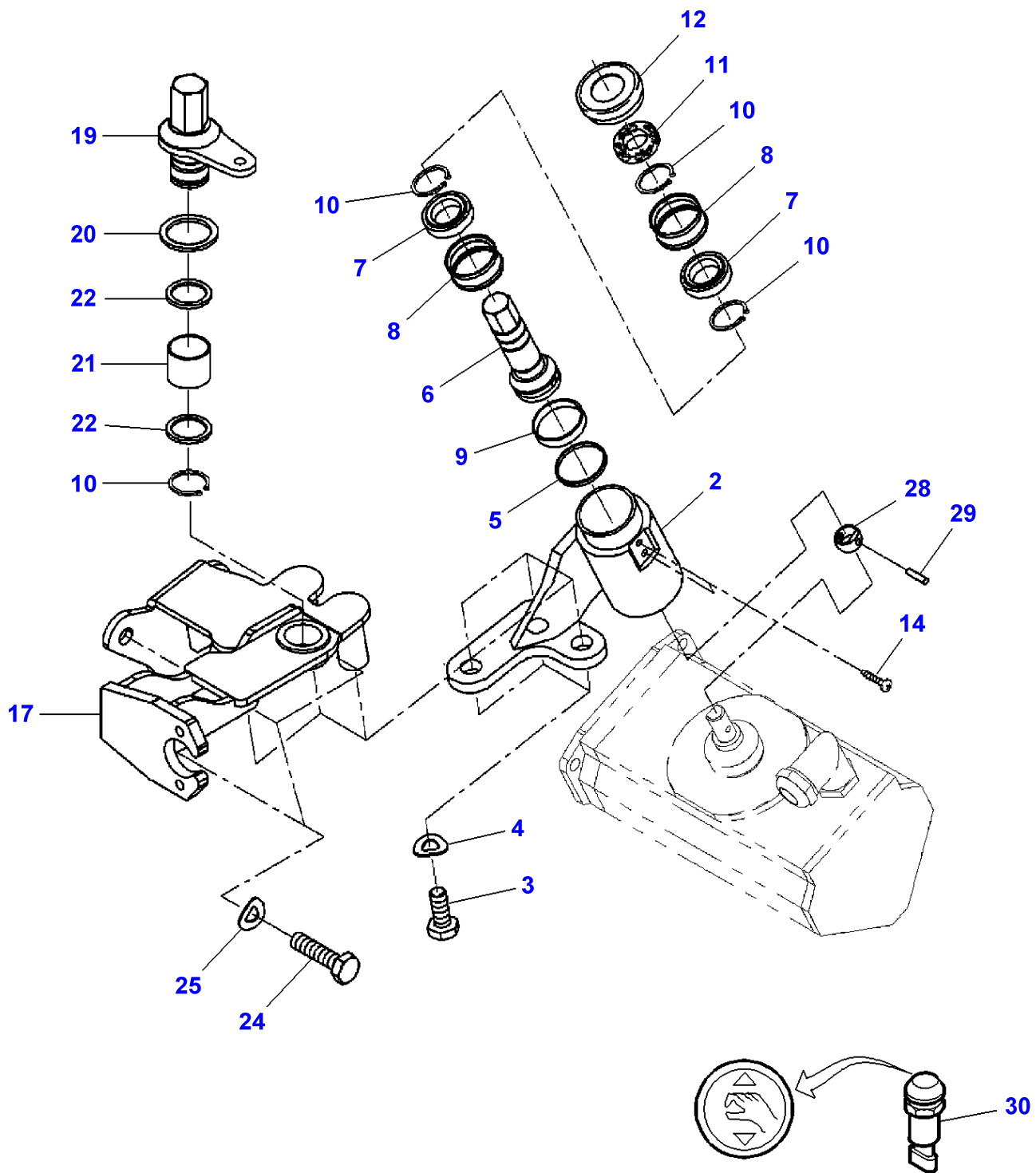
1-WG77-002-A



Massey Ferguson**MF 8470/8480 TRACTOR (TIER 3) - 3906071****3906071****Transmission Control - Emergency Control - Drive Line****Page025-0080**

Item	Part Number	Qty	Description	Comments
13	X668.980.522.000	2	Cable Tie	
14	G716.100.090.971	1	Control Cable	
15	F716.100.090.010	1	Bellows	(14)
16	F716.100.090.020	1	Bellows	(14)
17	X487.520.441.000	2	Screw	M6 X 12
18	X521.403.047.000	2	Spring Plate	
19	X428.202.239.000	2	Nut M6
21	X410.115.601.000	2	Fork Head	
22	X407.201.401.000	2	Pin	

1-WG76-002-A



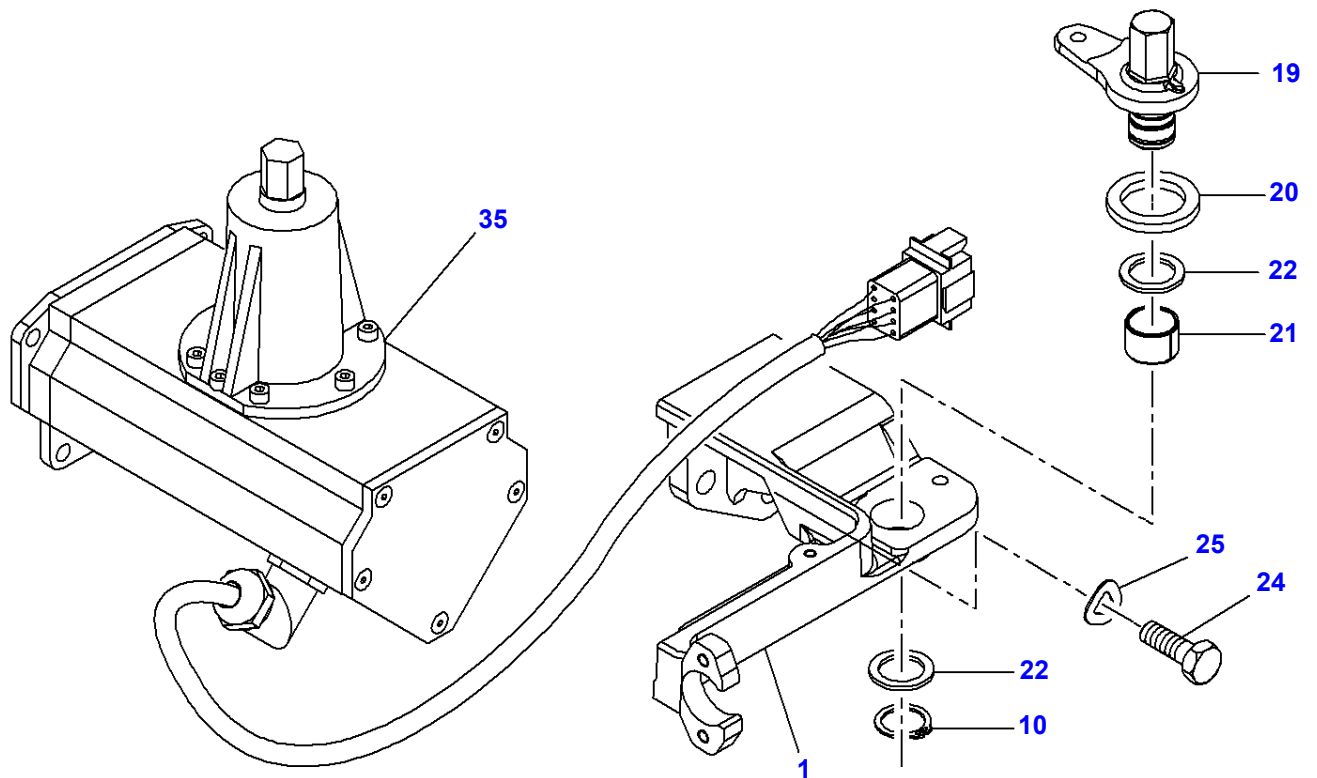
Massey Ferguson**MF 8470/8480 TRACTOR (TIER 3) - 3906071****3906071**

Transmission Control - Emergency Control - Range - From 903/0101 - Up To 903/0300 - From 903/1001 - Up To 903/1783

Page025-0085

Item	Part Number	Qty	Description	Comments
2	716.100.090.710	1	Console	
3	X487.531.541.000	3	Screw	M10 X 25
4	X521.404.447.000	3	Spring Plate	
5	X534.310.246.000	1	Snapping	
6	411.101.090.201	1	Shaft	
7	X607.395.200.000	2	Ball Bearing	
8	916.100.090.250	2	Ring	
9	916.101.090.221	1	Ring	
10	X530.002.746.000	4	Circlip	
11	178.100.360.050	1	Ring	
12	F150.403.090.340	1	Ring	
14	X490.617.400.000	4	Screw	M4 X 8
17	H903.100.090.310	1	Console	
19	716.100.090.270	1	Lever	
20	246.860.030.130	1	Gasket	
21	X605.009.000.000	1	Bearing Bush	
22	X534.537.246.000	2	Backup Ring	
24	X487.531.741.000	3	Screw	M10 X 30
25	X521.404.447.000	3	Spring Plate	
28	716.100.090.211	1	Ring	
29	X505.529.200.000	1	Dowel	
30	G716.970.160.030	1	Pressure Switch	

1-WG76-004-A



Massey Ferguson**MF 8470/8480 TRACTOR (TIER 3) - 3906071****3906071****Transmission Control - Emergency Control - Range - FROM 903/1784****Page025-0090**

Item	Part Number	Qty	Description	Comments
1	G916.101.090.220	1	Shift	
10	X530.002.746.000	4	Circlip	
19	716.100.090.270	1	Lever	
20	246.860.030.130	1	Gasket	
21	X605.009.000.000	1	Bearing Bush	
22	X534.537.246.000	2	Backup Ring	
24	X487.531.841.000	3	Screw	M10 X 35
25	X521.404.447.000	3	Spring Plate	
35		1	Control	025-0060

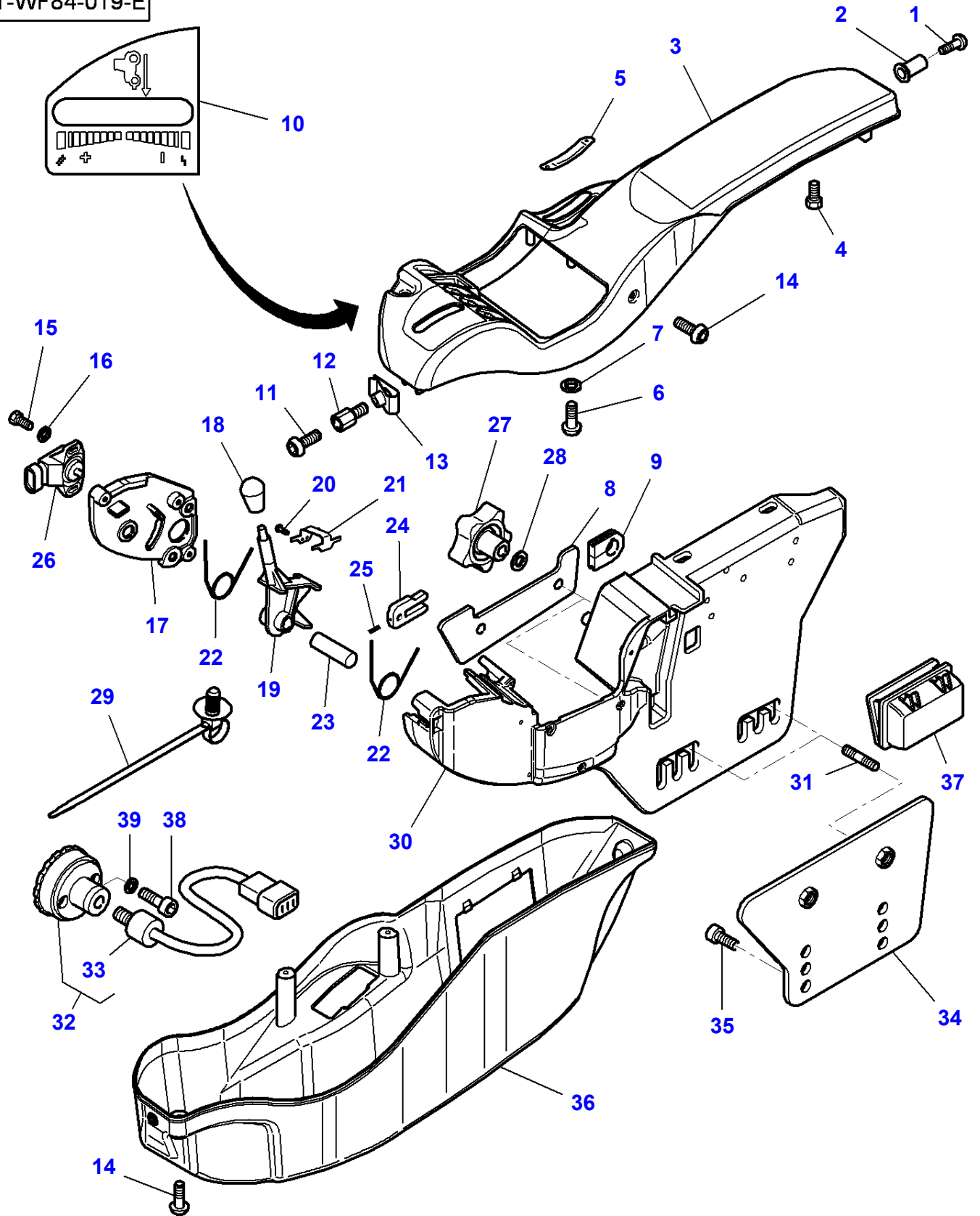
Control Armrest

Item	Part Number	Qty	Description	Comments
1	3010506X1	1	Screw	M5 X 16
2	3715143M1	1	Spring Nut	P192027
3	4279032M2	1	Envelope	
4	339123X1	2	Bolt	M8 X 20
5	3781512M1	1	Ashtray	
6	4271132M1	2	Screw	
7	3001856X1	2	Washer	
8	3784381M1	1	Muff	
9	4271408M2	1	Grommet	
10	4280225M1	1	Decal	
11	3011175X1	1	Screw	M5 X 8
12	3786164M2	1	Spacer	
13	3715143M1	1	Spring Nut	
14	4271132M1	X	Screw	3.5 x 14
15	3010351X1	2	Screw	M4 X 12
16	339102X1	2	Flat Washer	
17	4279927M1	1	Plate	
18	3787495M1	1	Knob	
19	4279874M3	1	Support	
20	3787143M1	2	Screw	
21	4273509M2	1	Plate	
22	3788452M2	2	Spring	
23	4280199M1	1	Clevis Pin	
24	4279929M1	1	Fork	
25	1442958X1	1	Split Pin	6 x 20
26	4274087M1	1	Potentiometer	
27	3786216M1	2	Button	
28	3778519M1	2	Washer	10-27 x 1.8
29	1440264X1	2	Washer Metric	P192027 10.5 x 4
30	4277372M1	1	Support	P115013
	4282203M2	1	Support	P115014
31	3008483X1	2	Stud M10 X 35
32	4278663M2	1	Potentiometer	[A]
33	3907530M1	1	Potentiometer	(32)
34	3010351X1	2	Screw	P192027 M4 X 12
35	339102X1	2	Flat Washer	P192027
36	4279786M94	1	Cladding	
37	3784237M1	2	Plug	
38	4291982M2	1	Switch, Indirect	
39	4291980M1	1	Switch, Indirect	SV1
40	4270970M3	1	Switch, Indirect	
41		X	Not Used	
42	4281015M91	1	Joystick	025-0110/1 3785028M94
43	4291978M1	1	Switch, Indirect	SV2
44	3010578X1	1	Screw	M5 X 10
45		X	Not Used	
46	4281343M1	1	Reinforcement	
47	3580776M1	1	Nut	P192028
48	4278314M1	1	Clamp	P192028
49	4284699M2	1	Plate	P306046
50	3009291X1	2	Screw	P306046

FOOTNOTE [A] WITH AUTOTRONIC 5

MF 8470/8480 TRACTOR (TIER 3) - 3906071
1-WF84-019-E

1-WF84-019-E



Massey Ferguson

MF 8470/8480 TRACTOR (TIER 3) - 3906071

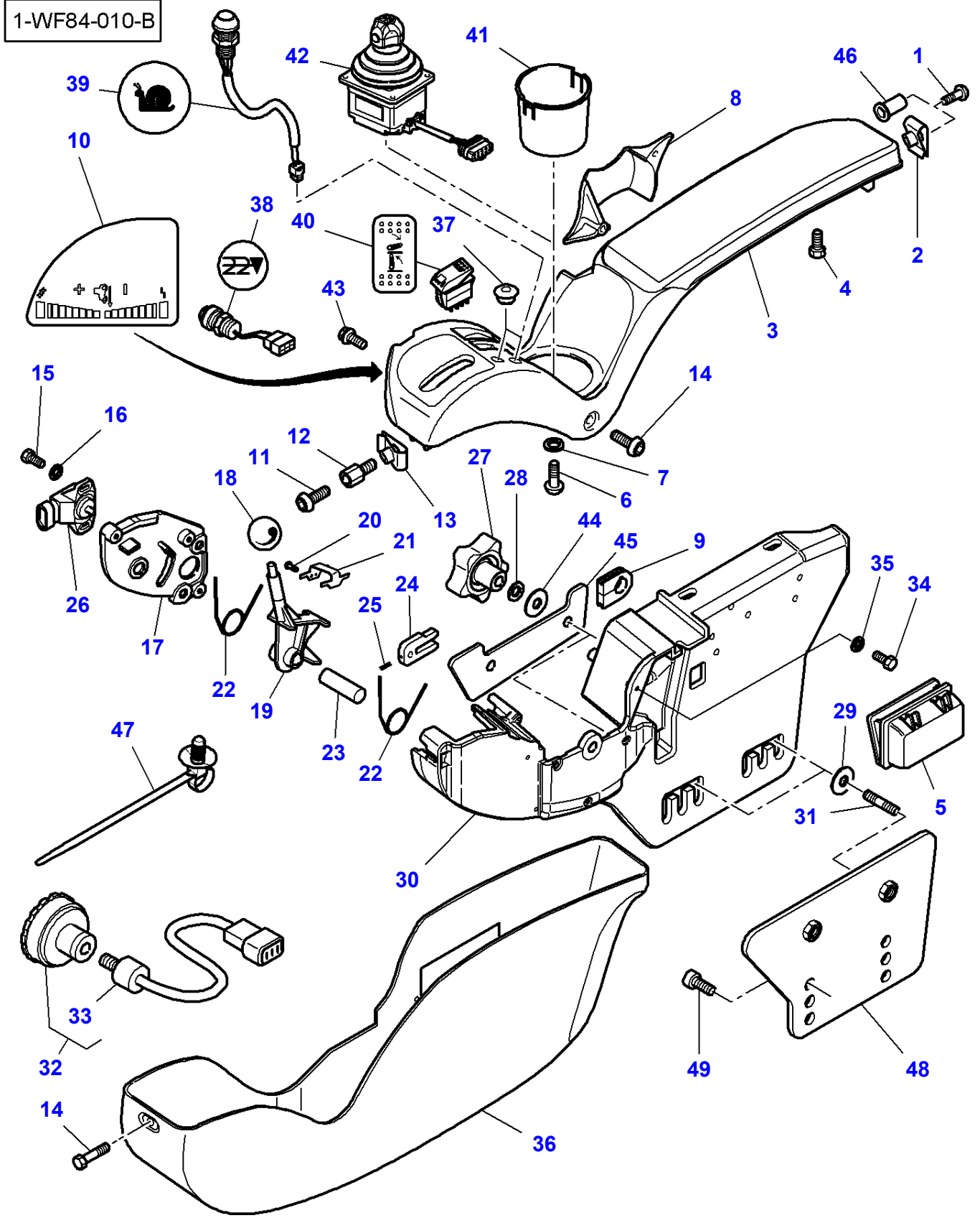
3906071

Page025-0100

Control Armrest - Fingertip

Item	Part Number	Qty	Description	Comments
1	3010506X1	1	Screw	M5 X 16
2	3580776M1	1	Nut	M5
3	4277370M2	1	Envelope	
4	339123X1	2	Bolt	M8 X 20
5	4280256M1	1	Decal	
6	4271132M1	2	Screw	
7	3001856X1	2	Washer	
8	4281343M1	1	Reinforcement	
9	4271408M2	1	Grommet	
10	4280254M1	1	Decal	
11	3011175X1	1	Screw	M5 X 8
12	3786164M2	1	Spacer	
13	3715143M1	1	Spring Nut	
14	4271132M1	X	Screw	3.5 x 14
15	3010351X1	2	Screw	M4 X 12
16	339102X1	2	Flat Washer	
17	4279927M1	1	Plate	
18	3787495M1	1	Knob	
19	4279874M3	1	Support	
20	3787143M1	2	Screw	
21	4273509M2	1	Plate	
22	3788452M2	2	Spring	
23	4280199M1	1	Clevis Pin	
24	4279929M1	1	Fork	
25	1442958X1	1	Split Pin	1.6 x 20
26	4274087M1	1	Potentiometer	
27	3786216M1	2	Button	
28	3778519M1	2	Washer	10-27 x 1.8
29	4278314M1	1	Clamp	
30	4282204M2	1	Support	
31	3008483X1	2	Stud M10 X 35
32	4278663M2	1	Potentiometer	
33	3907530M1	1	Potentiometer	(32)
34	4284699M2	1	Plate	P306046
35	3009291X1	2	Screw	P306046 M10 X 20
36	4279876M92	1	Muff	P341050
	4282256M91	1	Muff	P341051
37	3781512M1	1	Ashtray	
38	3010818X1	2	Hex Socket Screw	
39	339102X1	2	Flat Washer	

MF 8470/8480 TRACTOR (TIER 3) - 3906071
1-WF84-010-B



Massey Ferguson

MF 8470/8480 TRACTOR (TIER 3) - 3906071

3906071

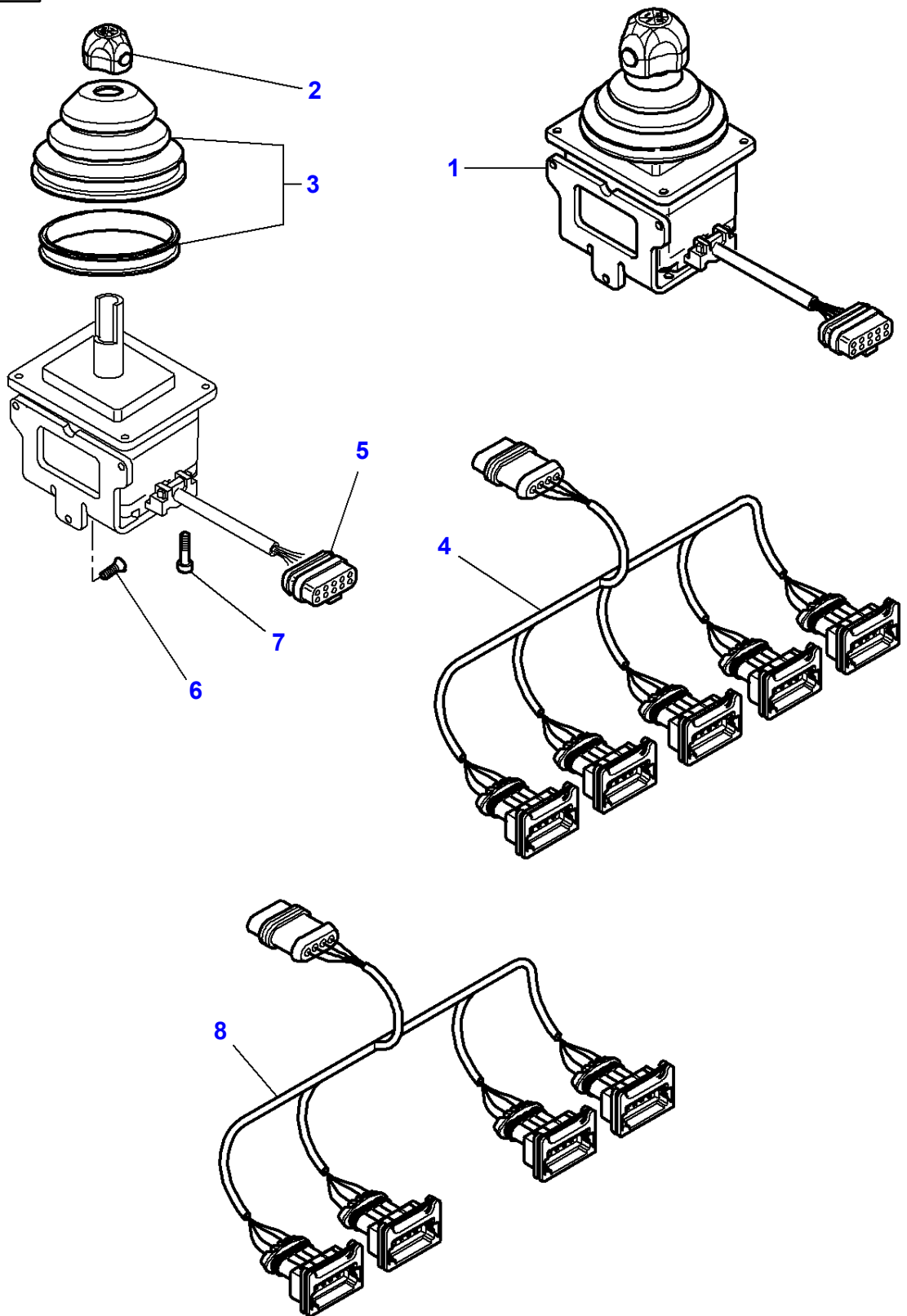
Control Armrest - For Dyna-Step Tractors - United States Only

Page025-0105

Item	Part Number	Qty	Description	Comments
1	3010506X1	1	Screw	M5 X 16
2	3715143M1	1	Spring Nut	P192027
3	4279032M2	1	Envelope	
4	339123X1	2	Bolt	M8 X 20
5	3781512M1	1	Ashtray	
6	4271132M1	2	Screw	
7	3001856X1	2	Washer	
8	3784381M1	1	Muff	
9	4271408M2	1	Grommet	
10	4280225M1	1	Decal	
11	3011175X1	1	Screw	M5 X 8
12	3786164M2	1	Spacer	
13	3715143M1	1	Spring Nut	
14	4271132M1	X	Screw	3.5 x 14
15	3010351X1	2	Screw	M4 X 12
16	339102X1	2	Flat Washer	
17	4279927M1	1	Plate	
18	4275656M1	1	Knob	
19	4279874M3	1	Support	
20	3787143M1	2	Screw	
21	4273509M2	1	Plate	
22	3788452M2	2	Spring	
23	4280199M1	1	Clevis Pin	
24	4279929M1	1	Fork	
25	1442958X1	1	Split Pin	6 x 20
26	4274087M1	1	Potentiometer	
27	3786216M1	2	Button	
28	3778519M1	2	Washer	10-27 x 1.8
29	1440264X1	2	Washer Metric	P192027 10.5 x 4
30	4277372M1	1	Support	P115013
	4282203M2	1	Support	P115014
31	3008483X1	2	Stud M10 X 35
32	4278663M2	1	Potentiometer	[A]
33	3907530M1	1	Potentiometer	(32)
34	3010351X1	2	Screw	P192027 M4 X 12
35	339102X1	2	Flat Washer	P192027
36	4279786M94	1	Cladding	
37	3784237M1	2	Plug	
38	4291982M2	1	Switch,Indirect	
39	4291985M1	1	Switch,Indirect	
40	4270970M3	1	Switch,Indirect	
41		X	Not Used	
42	4281015M91	1	Joystick	025-0110/1 3785028M94
43	3010578X1	1	Screw	M5 X 10
44		X	Not Used	
45	4281343M1	1	Reinforcement	
46	3580776M1	1	Nut	P192028
47	4278314M1	1	Clamp	P192028
48	4284699M2	1	Plate	P306046
49	3009291X1	2	Screw	P306046 M10 X 20

FOOTNOTE [A] WITH AUTOTRONIC 5

1-WP20-003-B

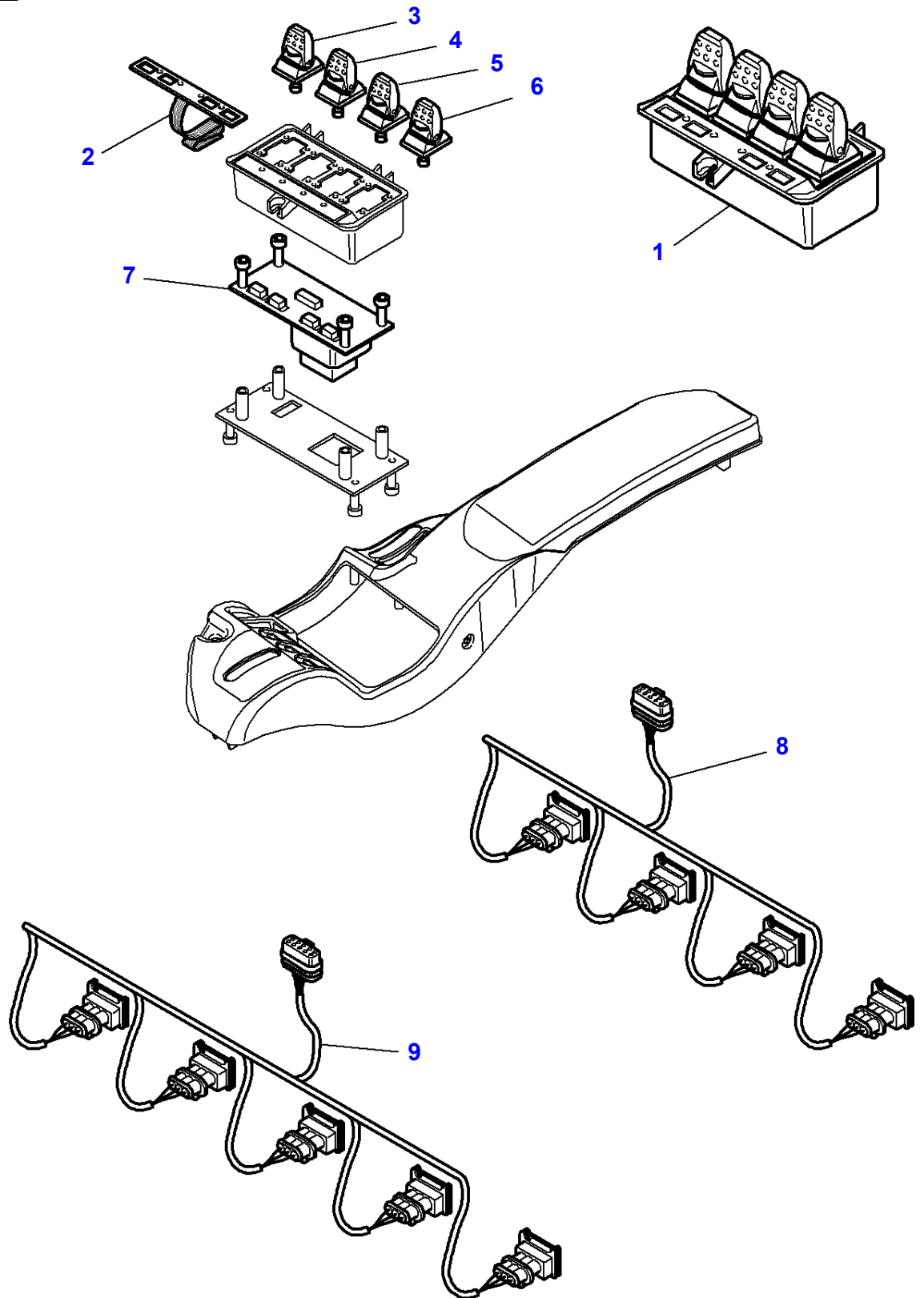


Massey Ferguson**MF 8470/8480 TRACTOR (TIER 3) - 3906071****3906071****Joystick For Distributor With electrodynamique Control****Page025-0110**

Item	Part Number	Qty	Description	Comments
1	4281015M91	1	Joystick	3785028M94
2	3903673M91	1	Shell	(1) R062049
	3907739M1	1	Shell	(1) R062050
3	3903672M91	1	Bellows	(1)
4	4277733M91	1	Harness	[B]
5	3902473M1	1	Connectors	(1)
6	3010506X1	3	Screw	M5 X 16
7	3010354X1	4	Screw	M4 X 25
8	4271167M2	1	Harness	[A]

FOOTNOTE [A] 4 DISTRIBUTORS WITH ELECTRIC CONTROL**FOOTNOTE [B]** 5 DISTRIBUTORS WITH ELECTRIC CONTROL

1-WP17-003-A



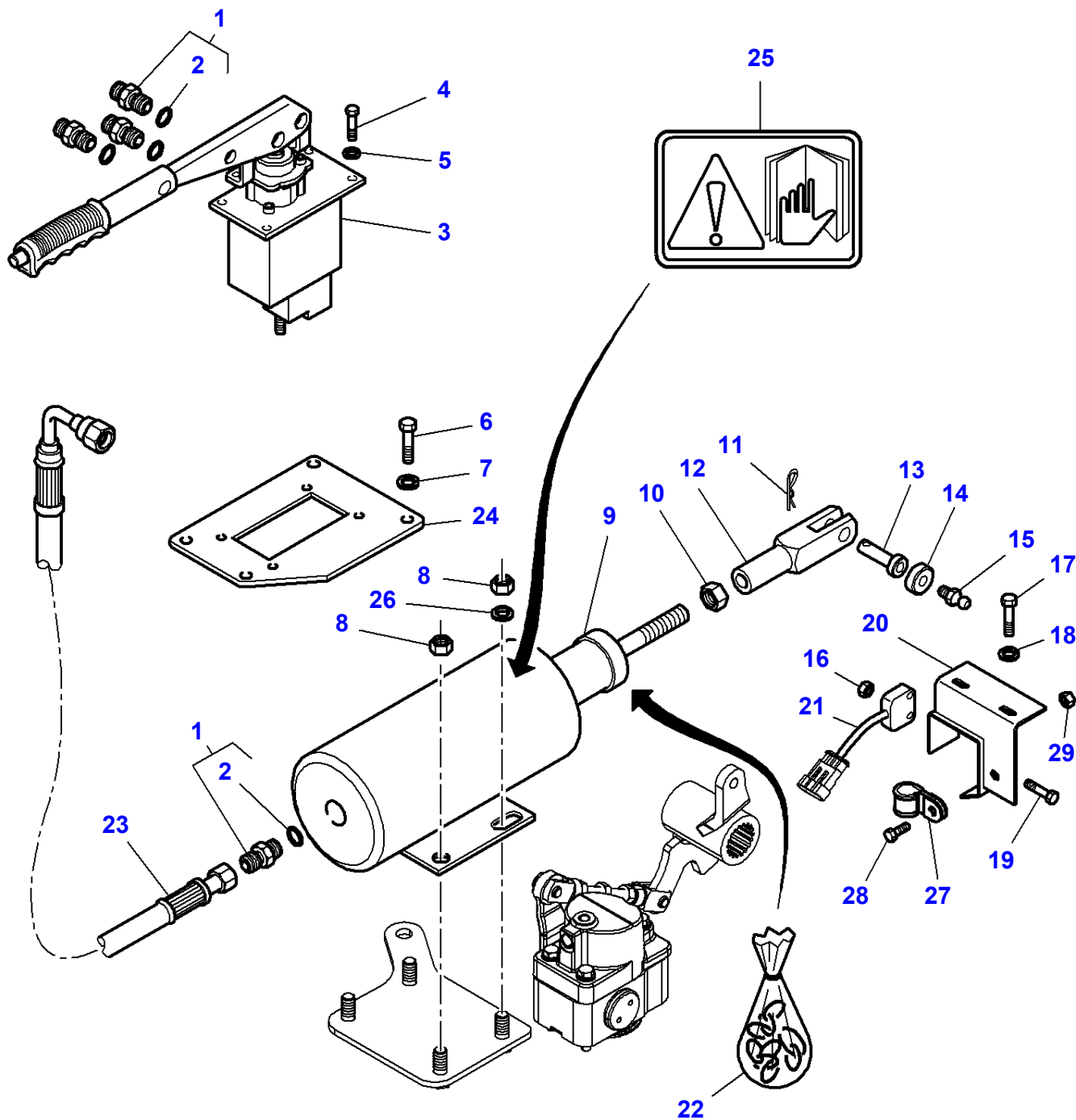
Item	Part Number	Qty	Description	Comments
1	4277365M93	1	Module	
2		1	Printed Circuit	[D] (1)
3		1	Control Knob	[D] (1)
4		1	Control Knob	[D] (1)
5		1	Control Knob	[D] (1)
6		1	Control Knob	[D] (1)
7		1	Printed Circuit	[D] (1)
8	4271167M2	1	Harness	[A]
9	4277733M91	1	Harness	[B]

FOOTNOTE [A] 4 DISTRIBUTORS WITH ELECTRIC CONTROL

FOOTNOTE [B] 5 DISTRIBUTORS WITH ELECTRIC CONTROL

FOOTNOTE [D] NOT DEAILLE BY THE SUPPLIER TO ORDER THE UNIT

1-WG28-016-C

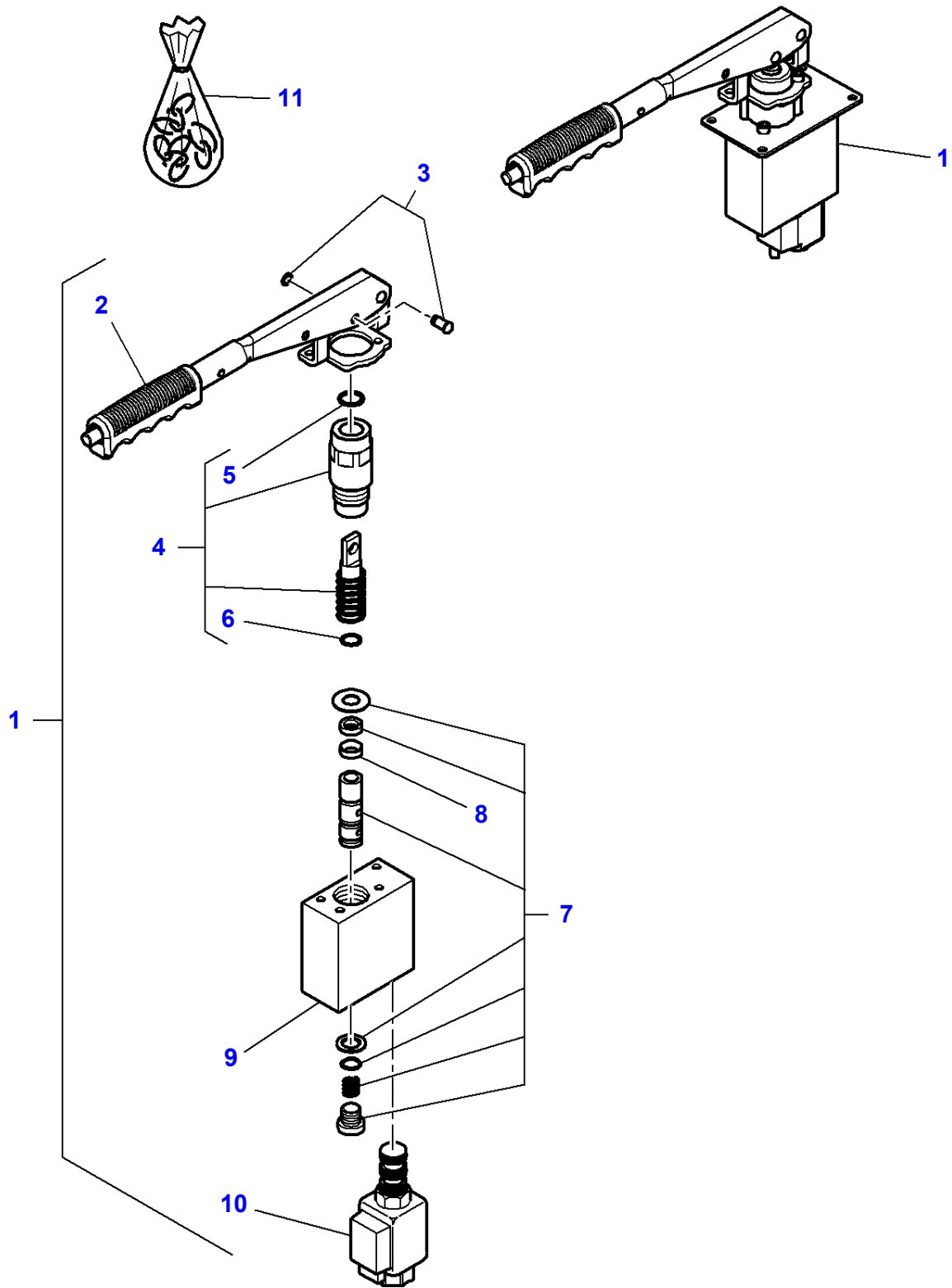


Handbrake

Item	Part Number	Qty	Description	Comments
1	3011038X91	4	Union	
2	338762X1	1	Seal	(1)
3	4274587M91	1	Lever	R160018 030-0010/1
	4274587M92	1	Lever	R160019 030-0010/1
4	339560X1	4	Bolt	M6 X 16
5	3019571X1	4	Washer	
6	339761X1	4	Bolt	M8 X 25
7	390972X1	4	Flat Washer	
8	3009695X1	4	Nut	
9	3788718M1	1	Ram	[A]
10	1440231X1	1	Nut	
11	1442993X1	1	Split Pin	
12	4274903M2	1	Clevis	
13	916.100.030.010	1	Pin	
14	X830.120.050.000	1	Magnet	
15	3019880X1	1	Screw Metric	M4 X 12
16	1443615X1	2	Nut	
17	3011539X1	2	Screw	M6 X 3-13
18	390971X1	2	Flat Washer	
19	1442172X1	2	Hex. Sock. Screw	M4 X 16
20	4289856M1	1	Support	4280936M2
21	H312.900.150.010	1	Solenoid Switch	
22	3907421M91	1	Kit,Joint/Gasket	
23	4276153M1	1	Hydr. Hose	550MM
24	4276681M1	1	Support	
25	4278652M1	1	Decal	
26	385363X1	2	Washer	
27	3581424M1	1	Clip	
28	339761X1	1	Bolt	M8 X 25
29	339169X1	1	Nut	M8

FOOTNOTE [A] THE APPROPRIATE SAFETY DECALS MUST BE ORDERED AND FITTED TO THIS PART

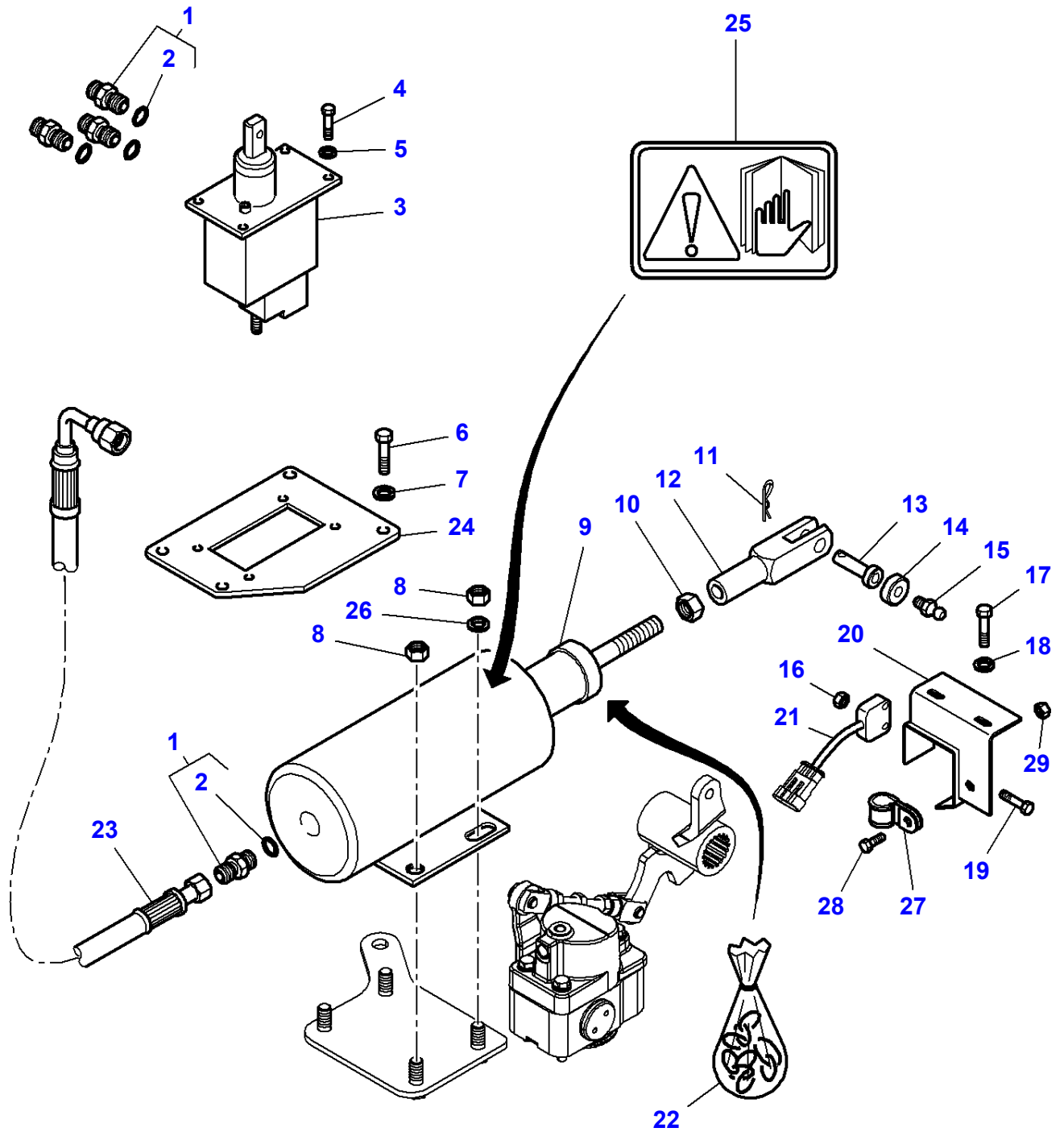
1-WG28-022-A



Massey Ferguson**MF 8470/8480 TRACTOR (TIER 3) - 3906071****3906071****Handbrake****Page030-0010**

Item	Part Number	Qty	Description	Comments
1	4274587M91	1	Lever	R160018
	4274587M92	1	Lever	R160019
2	3907841M91	1	Lever	(1)
3	3907824M91	1	Parts Pack	(1)
4	3907906M1	1	Valve	(1)
5		1	Gasket	(4)
				REF. 11
6		1	Gasket	(4)
				REF. 11
7	3907837M91	1	Parts Pack	(1)
8		1	Gasket	(7)
				REF. 11
9		1	Body	(1)
				REF. 1
10	3907840M91	1	Electrovalve	(1)
				R160018
	3907838M91	1	Electrovalve	(1)
				R160019
11	3907822M91	1	Kit, Joint	

1-WG28-017-C

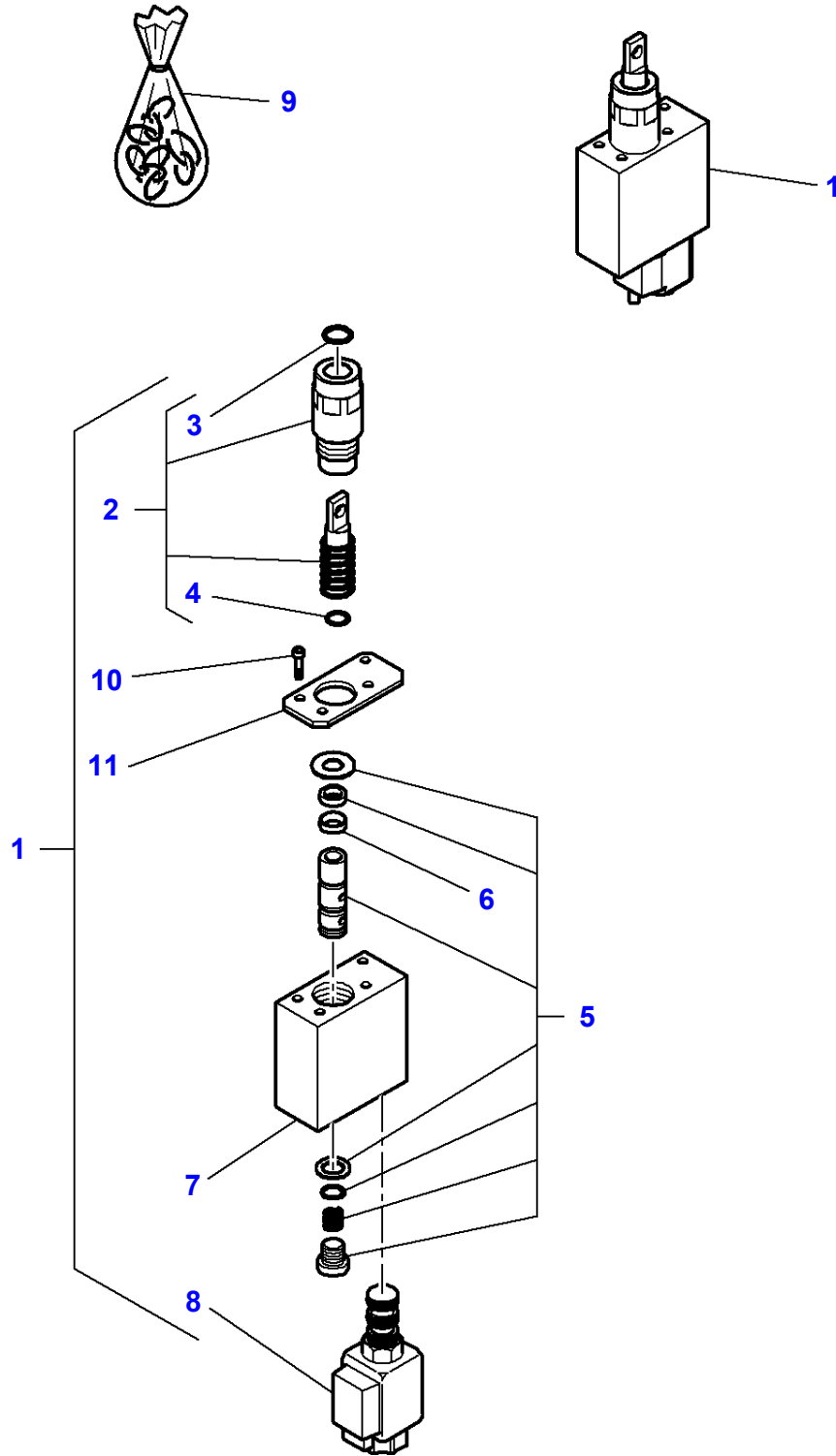


Handbrake - Without Brake Beam

Item	Part Number	Qty	Description	Comments
1	3011038X91	4	Union	
2	338762X1	1	Seal	(1)
3	4276982M91	1	Block	R201039 030-0020/1
	4276982M94	1	Block	R201040 030-0020/1
4	339560X1	4	Bolt	M6 X 16
5	3019571X1	4	Washer	
6	339761X1	4	Bolt	M8 X 25
7	390972X1	4	Flat Washer	
8	3009695X1	4	Nut	
9	3788718M1	1	Ram	[A]
10	1440231X1	1	Nut	
11	1442993X1	1	Split Pin	
12	4274903M2	1	Clevis	
13	916.100.030.010	1	Pin	
14	X830.120.050.000	1	Magnet	
15	3019880X1	1	Screw Metric	M4 X 12
16	1443615X1	2	Nut	
17	3011539X1	2	Screw	M6 X 3-13
18	390971X1	2	Flat Washer	
19	1442172X1	2	Hex. Sock. Screw	M4 X 16
20	4289856M1	1	Support	4280936M2
21	H312.900.150.010	1	Solenoid Switch	
22	3907421M91	1	Kit,Joint/Gasket	
23	4276153M1	1	Hydr. Hose	550MM
24	4276681M1	1	Support	
25	4278652M1	1	Decal	
26	385363X1	2	Washer	
27	3581424M1	1	Clip	
28	339761X1	1	Bolt	M8 X 25
29	339169X1	1	Nut	M8

FOOTNOTE [A] THE APPROPRIATE SAFETY DECALS MUST BE ORDERED AND FITTED TO THIS PART

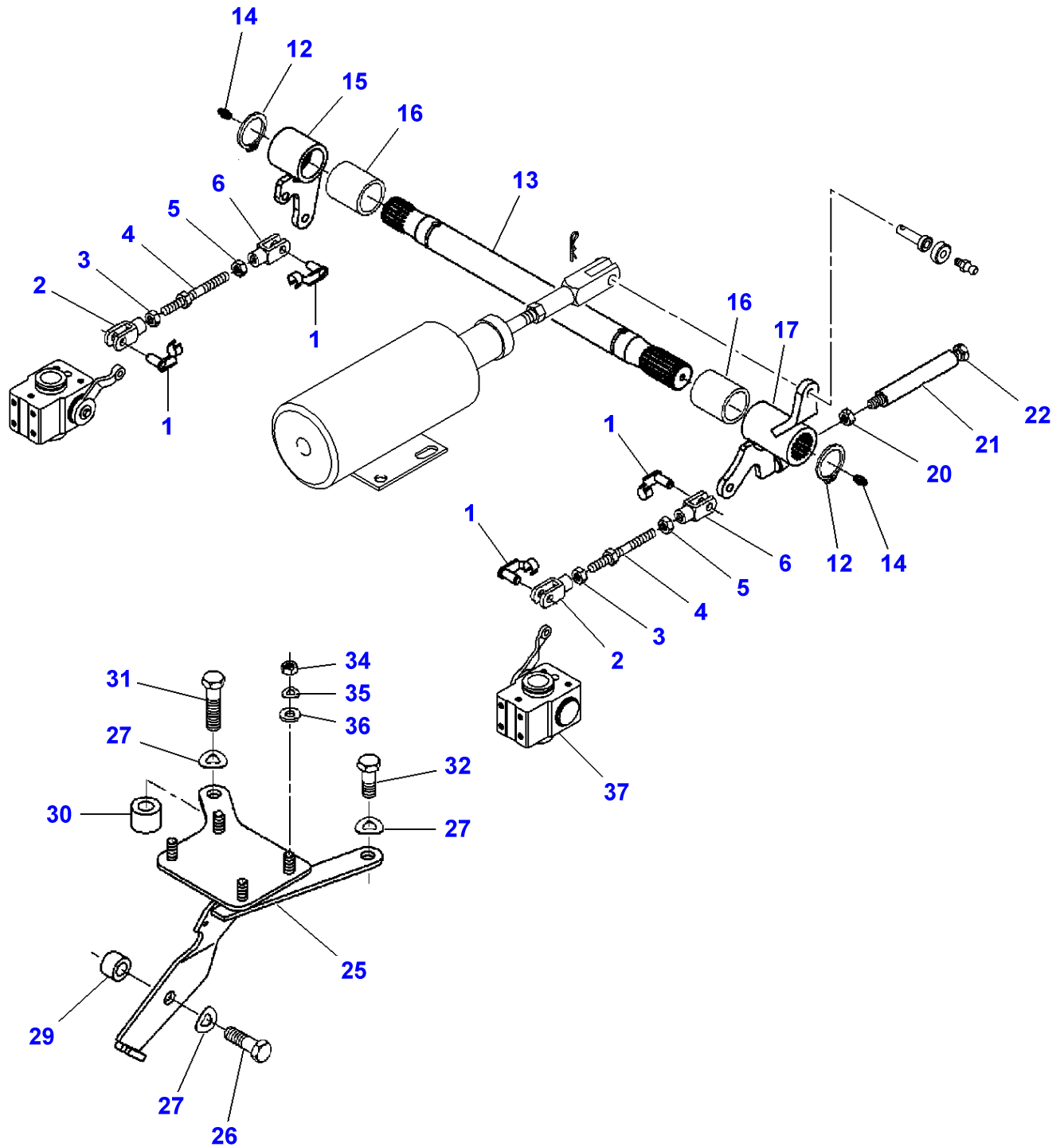
1-WG28-023-B



Handbrake

Item	Part Number	Qty	Description	Comments
1	4276982M91	1	Block	R201039
	4276982M94	1	Block	R201040
2	3907952M91	1	Block	(1)
3		1	Gasket	(2)
				REF. 9
4		1	Gasket	(2)
				REF. 9
5	3907837M91	1	Parts Pack	(1)
6		1	Gasket	(5)
				REF. 9
7		1	Body	(1)
				REF. 1
8	3907840M91	1	Electrovalve	(1)
				R201039
	3907838M91	1	Electrovalve	(1)
				R201040
9	3907822M91	1	Kit, Joint	
10	1440350X1	4	Screw Metric	(1)
				M6 X 20
11	3907953M1	1	Plate	(1)

1-WG28-011-A

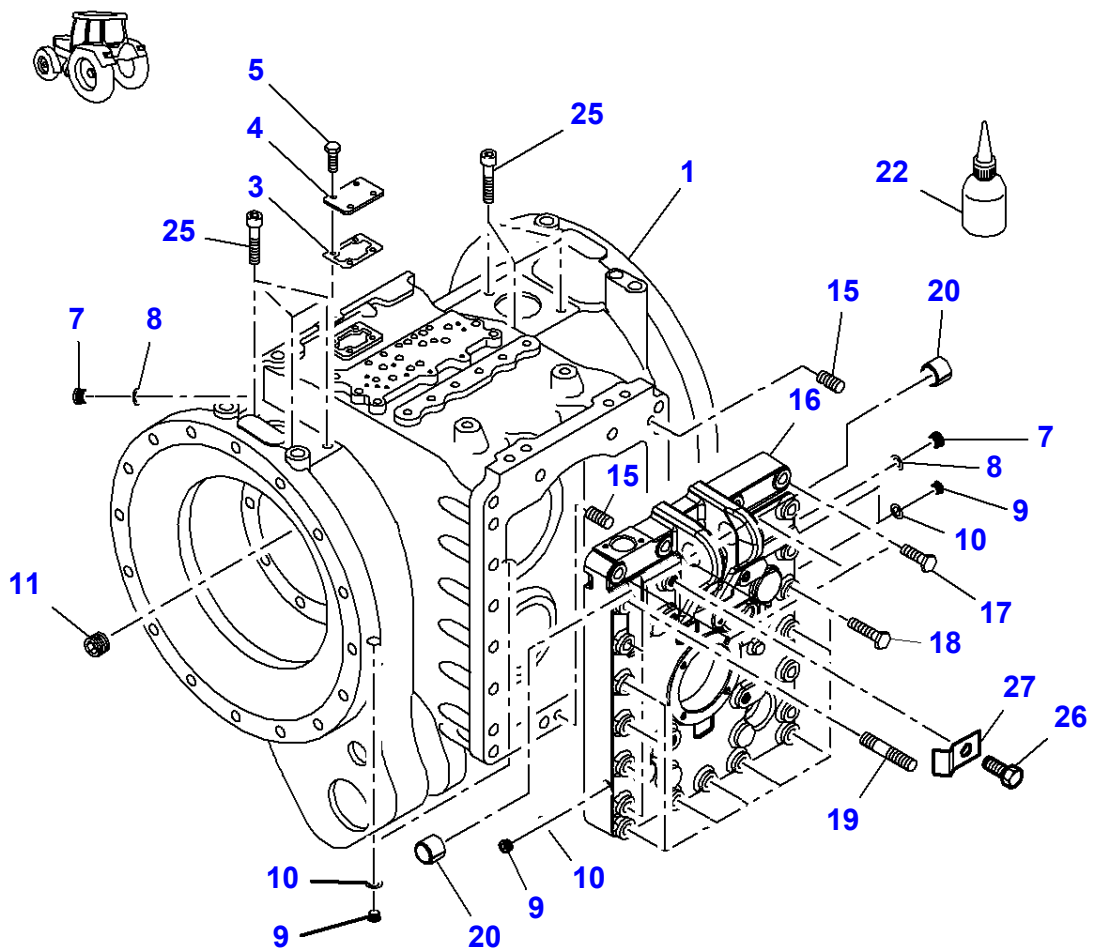


Handbrake - Tie Rod

Item	Part Number	Qty	Description	Comments
1	X407.202.001.000	4	Pin	
2	X410.124.605.000	2	Fork Head	
3	X428.202.839.000	2	Nut	
4	H926.150.030.020	2	Threaded Part	
5	X428.202.739.000	2	Nut	M10
6	X410.125.801.000	2	Fork Head	
12	X530.004.246.000	2	Circlip	34 X 1,5
13	822.100.030.040	1	Shaft	[A]
14	X662.516.200.000	2	Grease Nipple	
15	H822.100.030.030	1	Lever	
16	155.302.010.110	2	Bush	
17	H822.100.030.020	1	Lever	
20	X434.103.240.000	1	Nut	M12
21	X591.202.101.000	1	Hose	0,10 M
22	X487.537.500.000	1	Screw	M12 X 150
25	H926.150.030.060	1	Bearing Plate	
26	X487.545.441.000	1	Screw	M16 X 50
27	X521.406.647.000	3	Spring Plate	
29	138.715.140.010	1	Distance Piece	
30		X	Not Used	
31	X487.545.441.000	1	Screw	M16 X 50
32	X487.545.241.000	1	Screw	M6 X 40
34	X428.203.239.000	4	Nut	M12
35	X521.405.047.000	4	Spring Plate	
36	X453.608.408.000	2	Disc	
37		1	Wheel Cylinder	070-0080/36

FOOTNOTE [A] ORDER + X662 516 200 000 (X2)

1-WE70-005-C



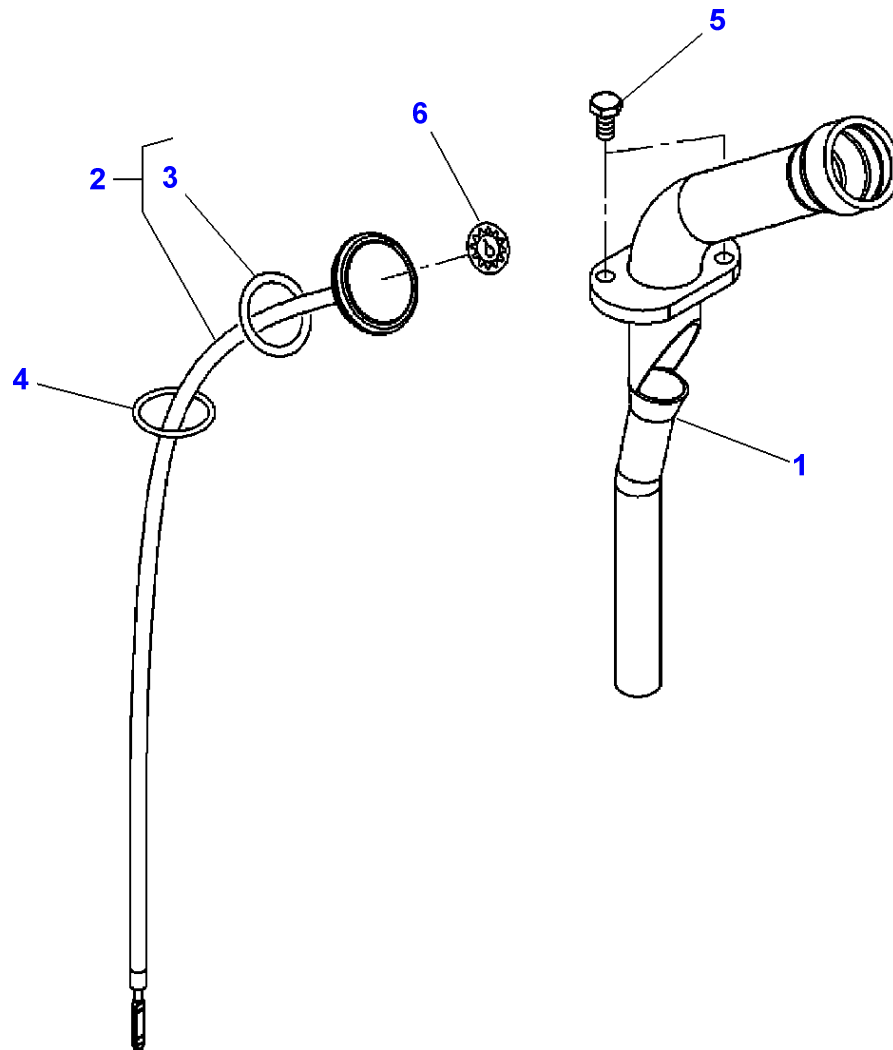
Wheel shaft housing

Item	Part Number	Qty	Description	Comments
1	926.150.050.014	1	Axle Housing	
3	822.100.050.140	1	Gasket	
4	822.100.050.130	1	Cover	
5	X487.526.841.000	4	Screw	M8 X 16
7	X483.800.401.000	2	Screw	M12 X 1,5
8	X540.003.678.000	2	Ring	
9	X483.800.000.000	5	Screw	M10 X 1
10	X540.003.078.000	5	Ring	
11	X483.500.800.000	2	Screw	M14 X 1,5
15	X505.578.900.000	2	Dowel	M6 X 32
16	926.150.050.020	1	Cover	[A]
17	X487.551.400.000	4	Screw	M18 X 90
18	X486.551.706.000	9	Screw	M18 X 110
19	X482.953.200.000	8	Stud	M18 X 130
20	X609.715.700.000	2	Bush	
22	X903.050.074.000	X	Loctite	
25	X485.013.605.000	6	Hex. Sock. Screw	
26	3010014X1	1	Hex. Sock. Screw	[B] M18 X 30
27	4286042M1	1	Strap	[B]

FOOTNOTE [A] ORDER + X505 578 900 (X2)

FOOTNOTE [B] WITH INDEPENDANT P.T.O.

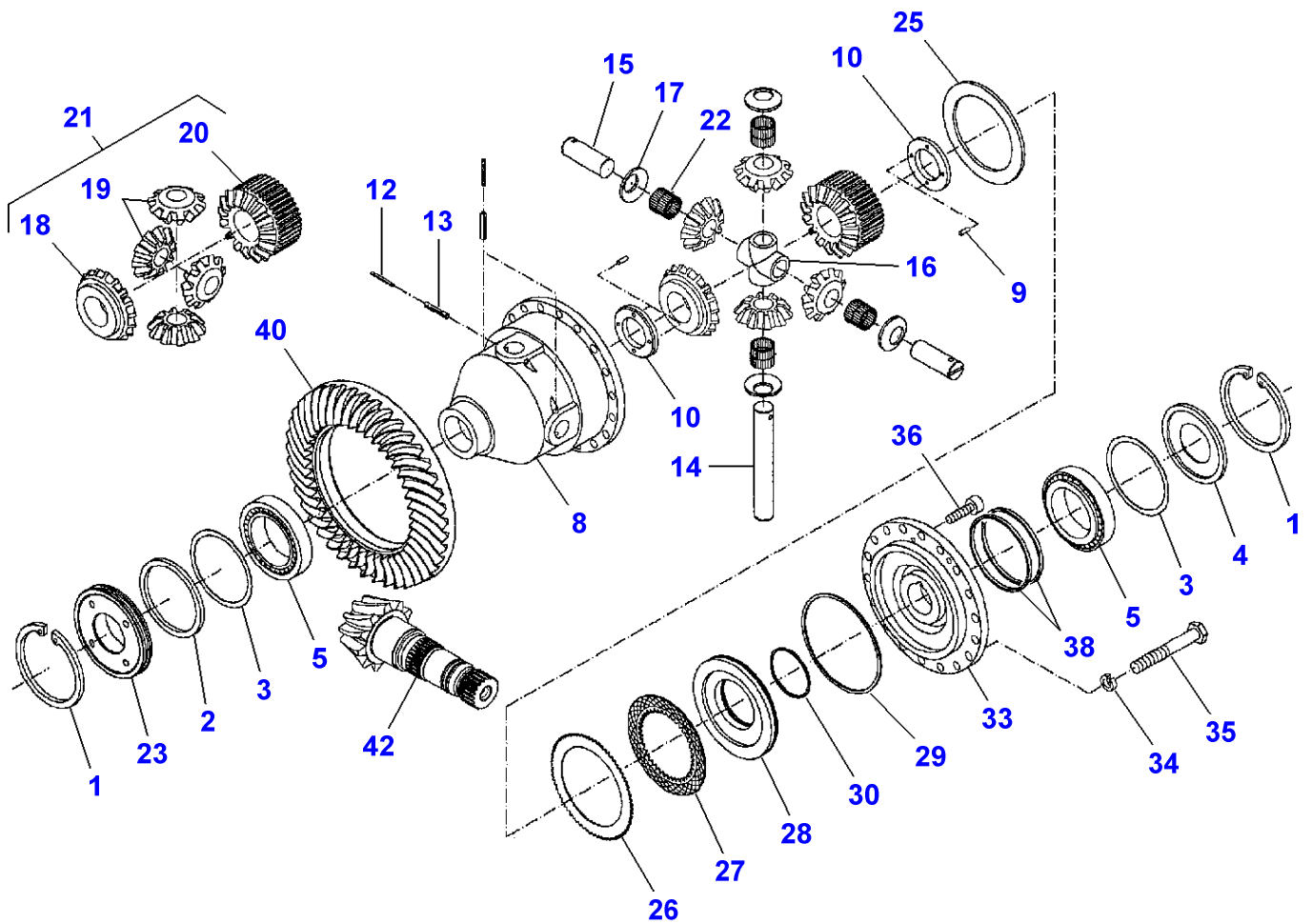
1-WE71-002-A



Massey Ferguson**MF 8470/8480 TRACTOR (TIER 3) - 3906071****3906071****Oil Level Indicator****Page030-0035**

Item	Part Number	Qty	Description	Comments
1	H926.150.480.010	1	Filler	
2	H916.100.480.020	1	Oil Dipstick	
3	F822.100.480.010	1	Joint.	(2)
4	X548.895.001.000	1	O Ring	34 X 3
5	X487.527.741.000	2	Screw	M8 X 20
6	205.100.480.010	1	Decal	

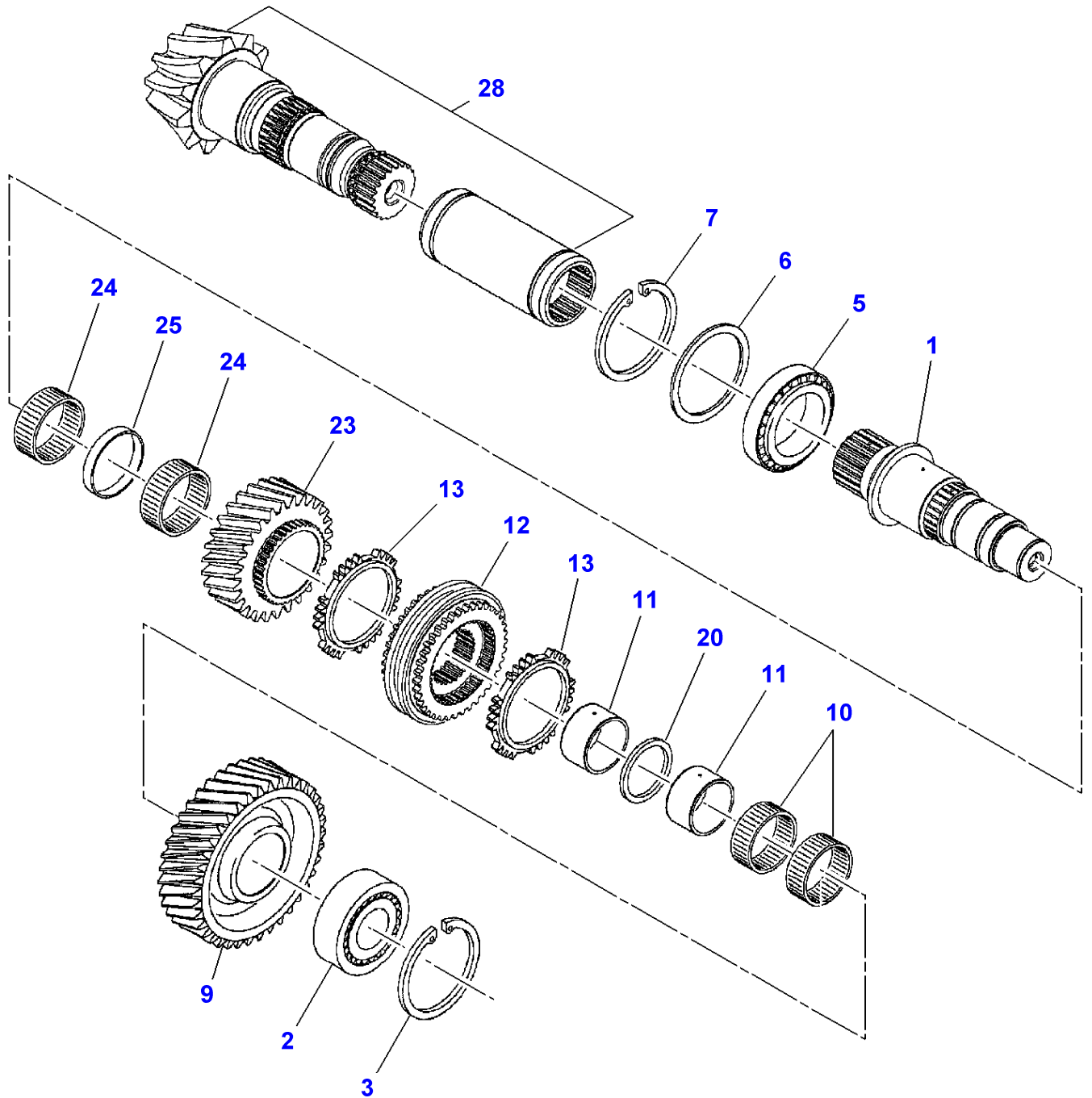
1-WG60-002-A



Differential

Item	Part Number	Qty	Description	Comments
1	X530.109.946.000	2	Circlip	
2			Not Used	
3	X534.683.000.000	X	Shim	0,15 MM
	X534.683.100.000	X	Shim	0,20 MM
	X534.683.300.000	X	Shim	0,30 MM
	X534.683.700.000	X	Shim	0,50 MM
4	822.100.010.060	1	Disc	
5	G822.100.150.020	2	Cup And Cone	
8	926.150.010.030	1	Diff Housing	
9	X506.239.300.000	4	Dowel	6 X 20
10	822.100.010.210	2	Ring	
12	X500.622.300.000	3	Roll Pin	5 X 50
13	X500.629.146.000	3	Roll Pin	8 X 50
14	926.150.010.050	1	Clevis Pin	
15	926.150.010.060	2	Clevis Pin	
16	926.150.010.070	1	Support	
17	926.150.010.080	4	Thrust Washer	
18		1	Planet	(21) REF. 21
19		4	Diff Pinion	(21) REF. 21
20		1	Planet	(21) REF. 21
21	G926.150.010.010	1	Kit, Bevel Gear	
22	X622.048.500.000	4	Roller Cage	
23	926.150.010.040	1	Spacer	
25	822.100.010.140	1	Ring	
26	822.100.010.130	10	External Disc	
27	822.100.010.120	9	Internal Disc	
28	822.100.010.160	1	Piston	
29	822.100.010.200	1	Support Cover	
30	822.100.010.190	1	Support Cover	
33	822.100.010.040	1	Flange	
34	345.300.100.110	18	Disc	
35	X486.536.200.000	18	Screw	M8 X 30
36	X485.007.605.000	2	Hex. Sock. Screw	M8 X 30
38	X560.718.800.000	2	Plain Compr.Ring	140 X 5,5
40		1	Annular Gear	030-0050/19
42		1	Pinion Shaft	030-0050/18

1-WG71-004-A

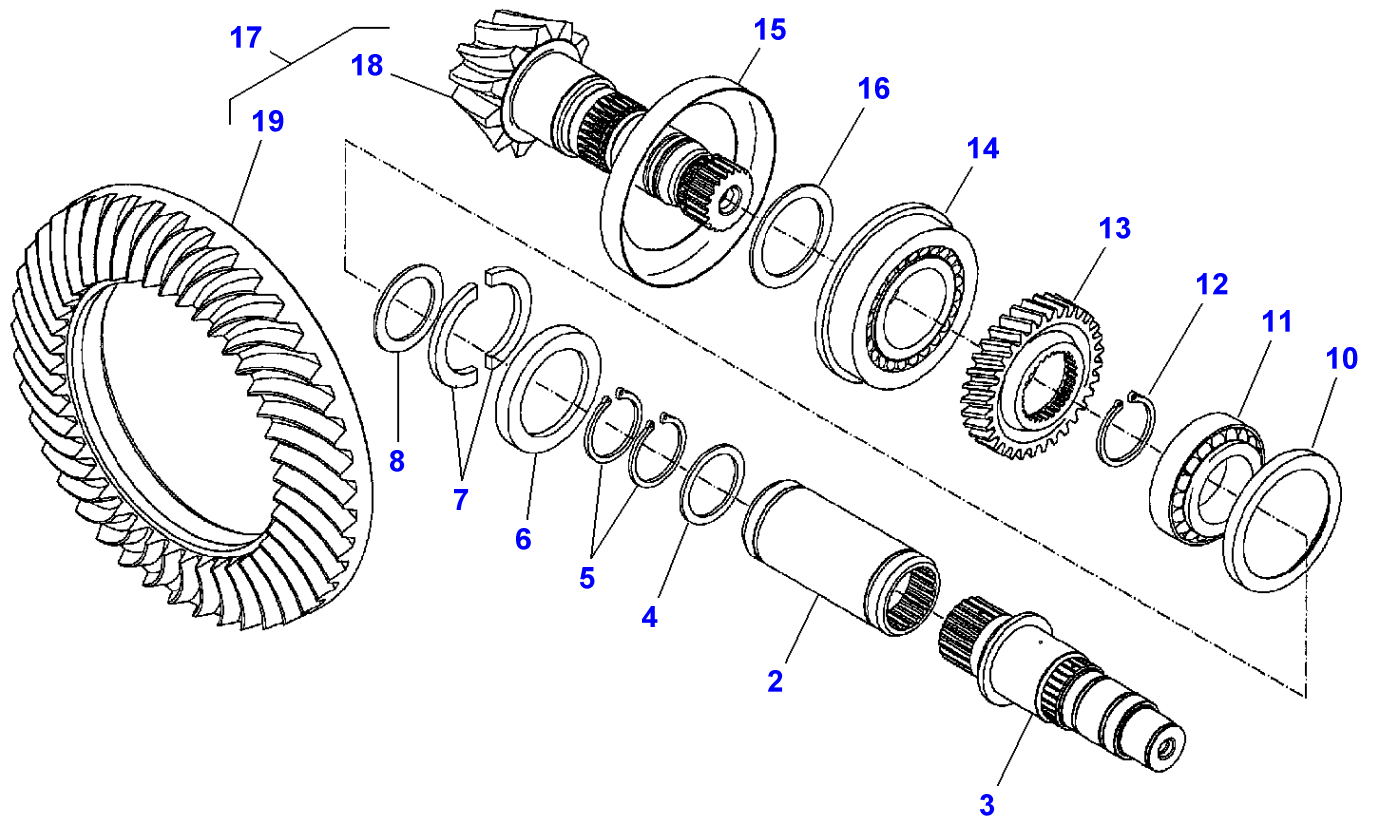


Bevel Drive

Item	Qty	Description	Comments
1	1	Shaft	[A]
2	1	Ball Bearing	[A]
3	1	Circlip	[A]
5	1	Ball Bearing	[A]
6	1	Kit, Washer	[A]
7	1	Circlip	[A]
9	1	Pinion	[A] 40
10	2	Needle Cage	[A] 55 X 60 X 30
11	2	Bush	[A]
12	1	Synchro Unit	[A]
13	2	Bush	[A]
20	1	Washer	[A]
23	1	Pinion	[A] 30
24	2	Needle Cage	[A] 60 X 65 X 20
25	1	Insert	[A]
28	1	Kit, Bevel Gear	030-0050/17

FOOTNOTE [A] NOT SUPPLIED SEPARATELY

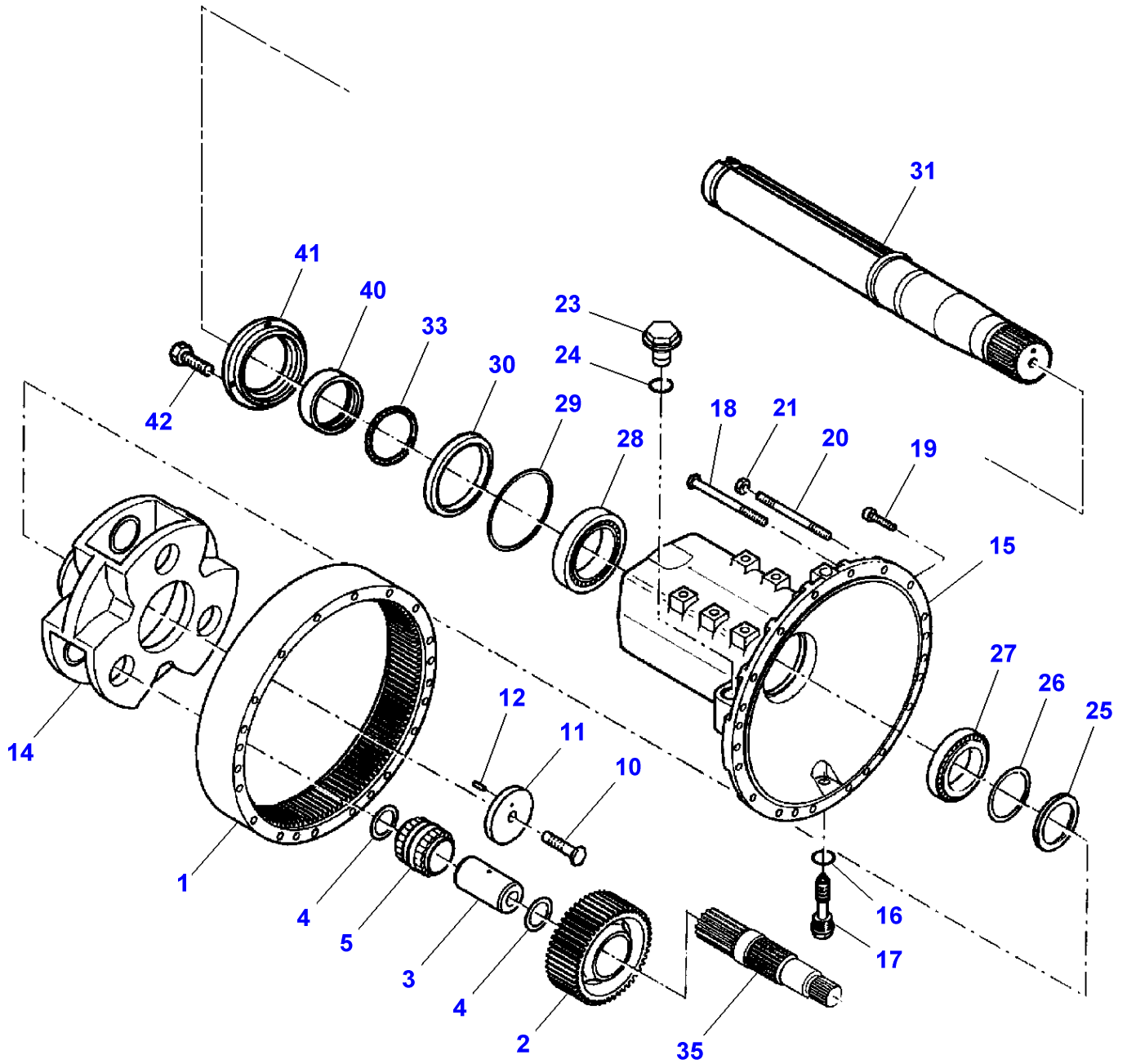
1-WG71-003-A



Massey Ferguson**MF 8470/8480 TRACTOR (TIER 3) - 3906071****3906071****Bevel Drive****Page030-0050**

Item	Part Number	Qty	Description	Comments
2	916.101.410.010	1	Thimble	
3		1	Shaft	030-0045/1
4	X534.538.900.000	1	Backup Ring	
5	X530.017.746.000	2	Circlip	55 X 3
6	916.100.410.030	1	Ring	
7	916.100.410.040	2	Ring	
8	G001.990.200.630	1	Kit, Washer	
10	916.100.410.060	1	Sheet Metal	
11	X619.072.600.007	1	Cup And Cone	
12	X530.017.846.000	1	Circlip	58 X 3
13		1	Pinion	060-0080/3
14	X619.057.201.003	1	Cup And Cone	68 X 140 X 20
15	926.102.410.030	1	Sheet Metal	
16	G001.990.200.640	1	Kit, Washer	
17		1	Kit, Bevel Gear	REF. 18 , 19 12 X 43
18	926.102.410.040	1	Pinion Shaft	(17) 903/3249 12
	931.100.410.010	1	Pinion Shaft	(17) 903/3250 12
19	926.102.410.020	1	Crownwheel	(17) 43

1-WG18-005-A



Massey Ferguson

MF 8470/8480 TRACTOR (TIER 3) - 3906071

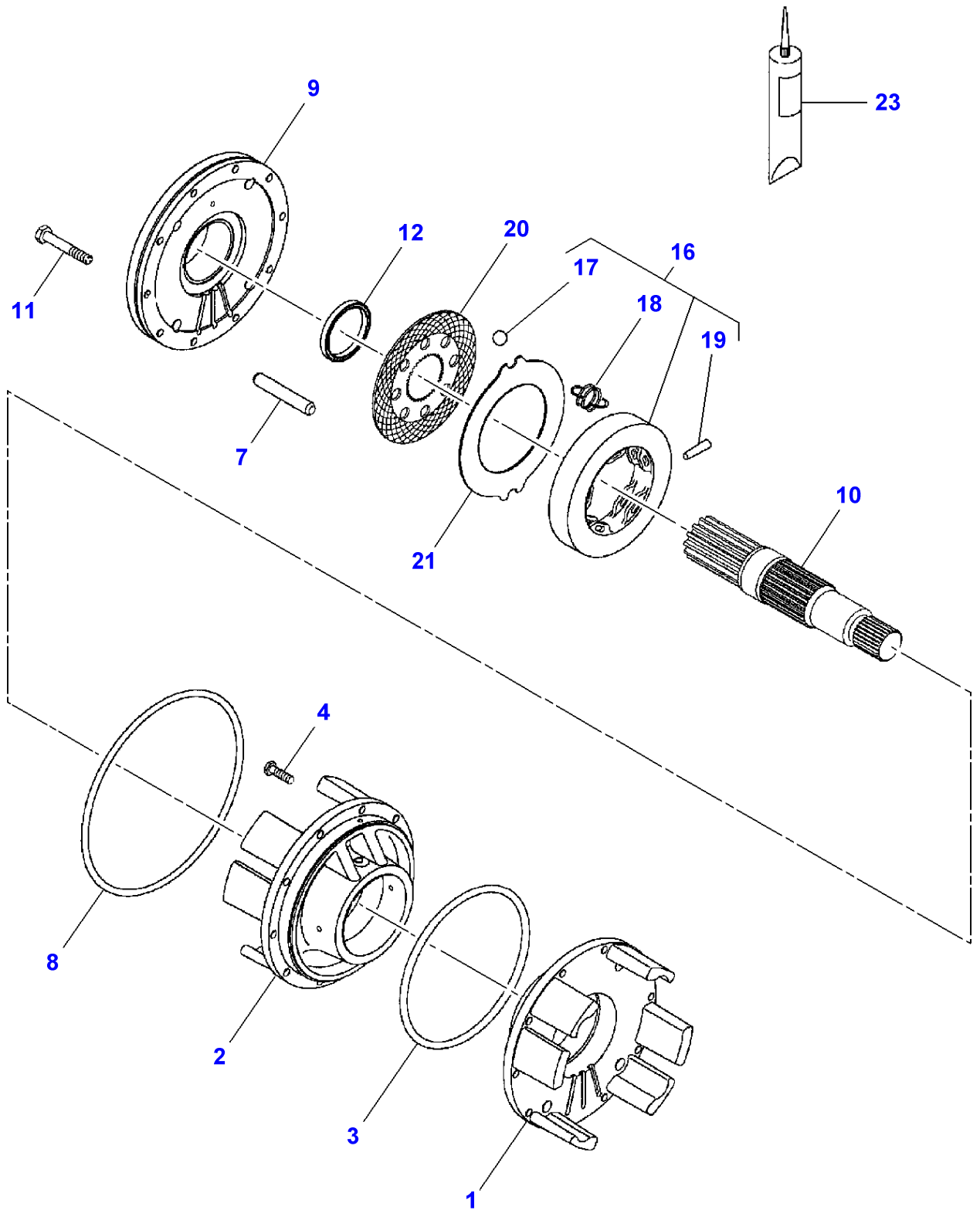
3906071

Page 030-0055

Rear Axle Housings - Inner Final Drive Gear				
Item	Part Number	Qty	Description	Comments
1	926.150.150.032	2	Pressure Pipe	
2	926.150.150.040	6	Spur Gear	[B]
3	926.150.150.061	6	Clevis Pin	
4	X530.106.546.000	12	Circlip	62 X 2
5	G926.150.150.050	6	Roller Cage	
10	822.100.150.120	2	Screw	
11	822.100.150.080	2	Plate	
12	X500.628.246.000	2	Roll Pin	8 X 22
14	926.150.150.021	2	Planet Carrier	
15	926.160.150.200	2	Axle Housing	
16	X540.007.478.000	2	Ring	
17	H822.100.150.020	2	Magnet	
18	X486.537.601.000	40	Screw	M12 X 160
19	X493.619.205.000	4	Hex. Sock. Screw	M12 X 50
20	X489.138.400.000	8	Stud	M12 X 165
21	X428.203.205.000	8	Nut	
23	X484.404.001.000	4	Plug	M30
24	X540.009.478.000	4	Ring	
25	926.101.150.240	4	Half Ring	
26	X534.781.500.000	X	Shim	0,50 MM
	X534.781.600.000	X	Shim	0,60 MM
	X534.781.700.000	X	Shim	0,70 MM
27	G926.101.150.040	2	Cup And Cone	
28	G926.160.150.200	2	Cup And Cone	
29	X549.030.900.000	2	O Ring	190,17 X 2,62
30	H822.100.150.040	2	Oil Seal	
31	926.101.150.070	2	Shaft	29"
	926.101.150.060	2	Shaft	40"
33	X548.999.066.000	2	O Ring	118 X 4
35	H926.150.150.200	2	Shaft	
40	926.101.150.260	2	Spacer	
41	926.160.150.220	2	Cover	
42	X487.527.741.000	8	Screw	M8 X 20

FOOTNOTE [B] ORDER + 926 150 150 061 + G926 150 150 050

1-WG14-003-A



Massey Ferguson**MF 8470/8480 TRACTOR (TIER 3) - 3906071****3906071****Disc Brakes****Page 030-0060**

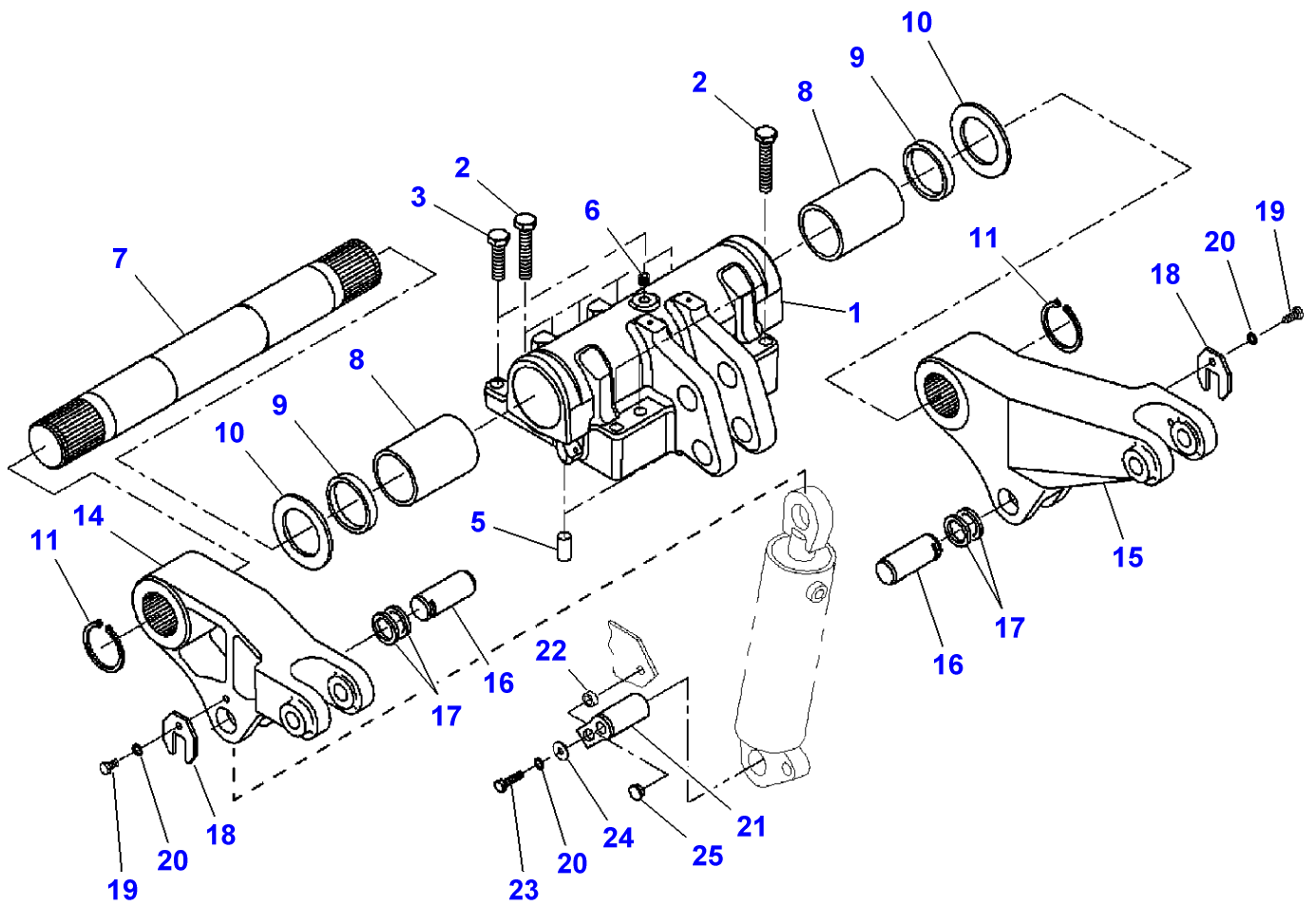
Item	Part Number	Qty	Description	Comments
1	926.150.010.020	1	Bearing Flange	
2	926.150.010.010	1	Bearing Flange	
3	X549.041.100.000	1	O Ring	267 X 3
4	X487.535.806.000	4	Screw	M12 X 40
7	926.150.150.080	8	Pin	
8	X549.044.100.000	2	O Ring	310 X 3
9	926.150.150.070	2	Brake Plate	
10		2	Shaft	030-0055/35
11	X486.537.601.000	20	Screw	M12 X 160
12	X550.150.200.000	2	Oil Seal	
16	F822.100.150.010	2	Disc	
17	F822.100.150.020	5	Ball	(16)
18	F822.100.150.030	5	Tension Spring	(16)
19	X505.558.539.000	2	Dowel	(16)
20	F822.100.150.040	12	Brake Disc	
21	716.150.150.500	12	External Disc	
23	X903.050.074.000	X	Loctite	

Massey Ferguson**MF 8470/8480 TRACTOR (TIER 3) - 3906071****3906071****Cardan Brake****Page030-0065**

Item	Part Number	Qty	Description	Comments
1	X505.544.539.000	1	Dowel	6 X 16
3	916.100.320.061	1	Cover	
4		1	Shaft	060-0075/5
5	X487.531.941.000	10	Screw	M10 X 40
7	G916.100.320.030	1	Disc	
8	F822.100.150.020	4	Ball	(7)
9	F822.100.150.030	4	Tension Spring	(7)
10	X505.558.539.000	2	Dowel	(7)
11	G001.990.200.330	1	Parts Pack	
12		1	Plate	(11) REF. 11
14	916.100.320.190	4	Pin	
15	G916.100.070.030	1	Cylinder	[A]
16	F916.100.070.010	1	Kit, Joint	(16)
17	F524.101.070.170	1	Seal	(16)
22	916.100.070.010	1	Gasket	
23	X485.008.606.000	4	Hex. Sock. Screw	M8 X 80

FOOTNOTE [A] ORDER + 916 100 070 010

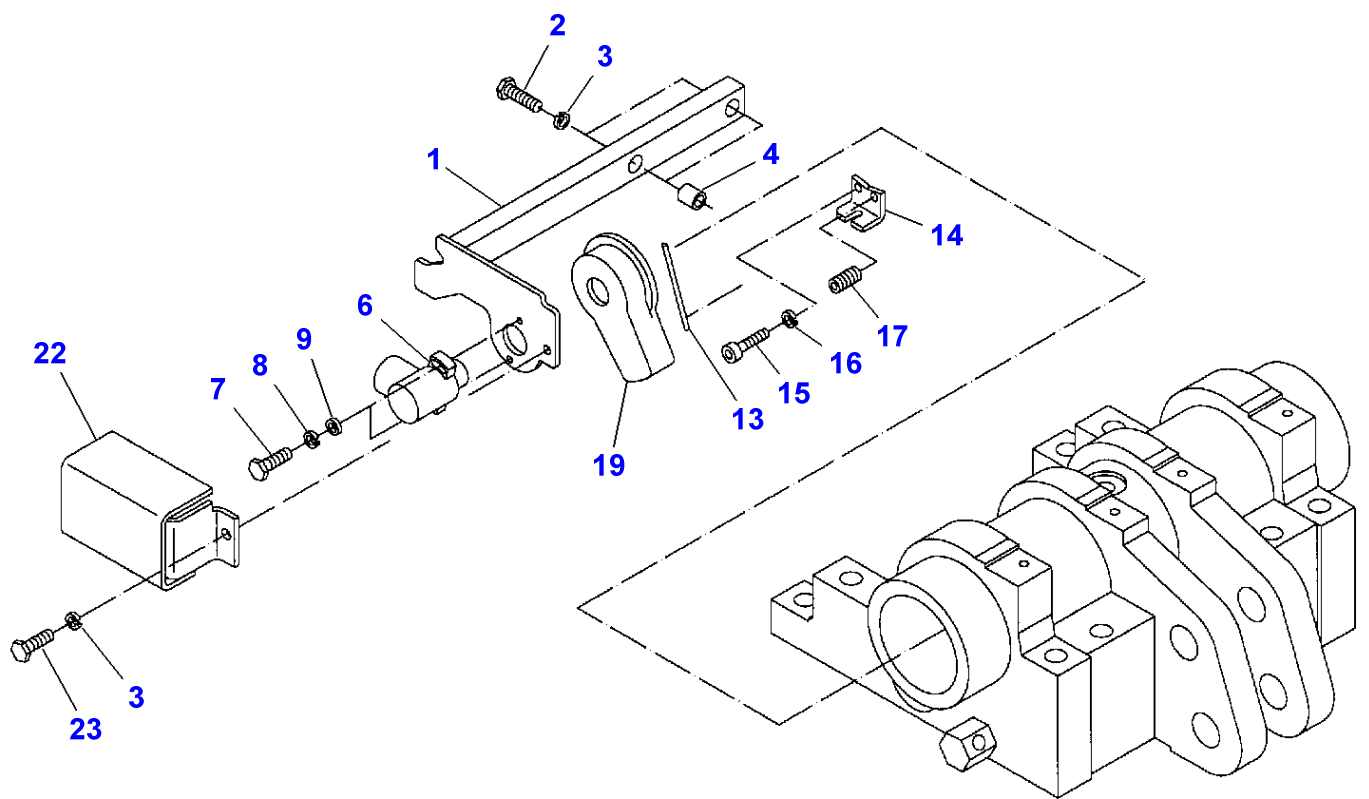
1-WP74-003-A



Lift Arms

Item	Part Number	Qty	Description	Comments
1	G930.860.030.010	1	Support	
2	X486.551.800.000	10	Screw	M18 X 120
3	X486.551.000.000	2	Screw	M18 X 70
5	X505.585.617.000	2	Dowel	6 X 36
6	X483.501.600.000	1	Screw	M18
7	816.860.030.110	1	Shaft	903/02757
	931.860.030.031	1	Shaft	903-02758
8	816.860.030.040	2	Bush	
9	X550.150.400.000	2	Oil Seal	80 X 100 X 10
10	816.860.030.050	2	Disc	
11	X530.007.246.000	2	Circlip	903/02757
	X530.010.001.000	2	Lock Washer	903/02758
14	903.860.030.010	1	Arm	
15	903.860.030.020	1	Arm	
16	716.860.030.080	2	Pin	
17	816.860.030.070	4	Ring	903/01470
18	716.920.010.100	2	Locking Plate	
19	X487.531.301.000	2	Screw	M10 X 20
20	X520.804.401.000	4	Lock Washer	
21	H816.860.030.042	2	Pin	
22	816.870.030.060	2	Bush	
23	X487.531.541.000	2	Screw	M10 X 25
24	X454.407.508.000	2	Disc	
25	X499.501.100.000	2	Plug	

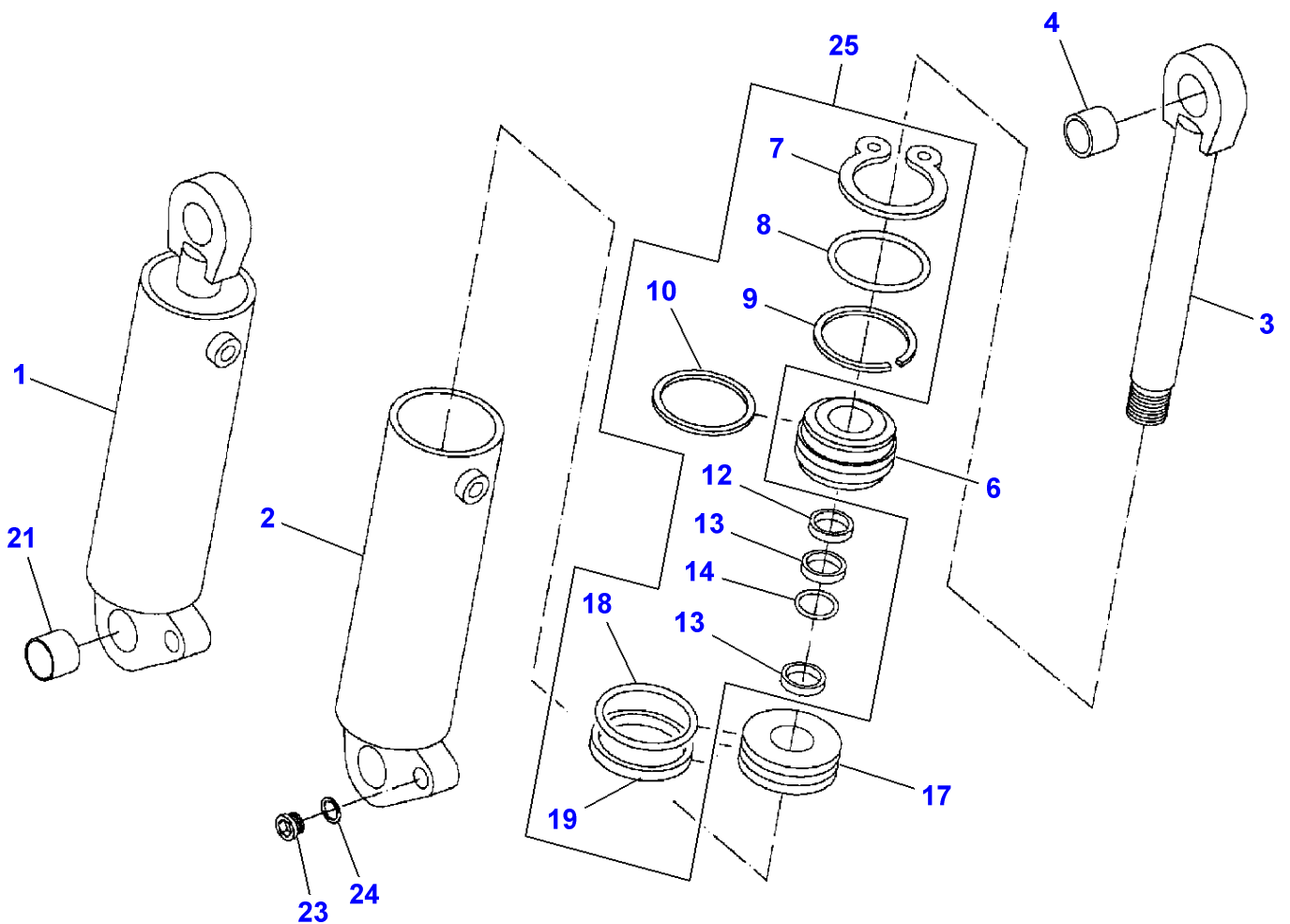
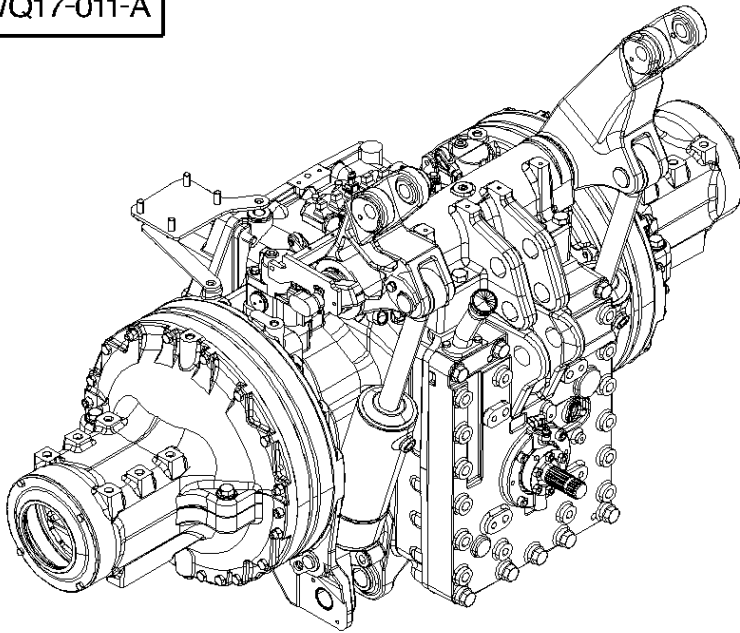
1-WQ20-002-A



Massey Ferguson**MF 8470/8480 TRACTOR (TIER 3) - 3906071****3906071****Page030-0075****Angle Sensor**

Item	Part Number	Qty	Description	Comments
1	H816.860.100.022	1	Holder	
2	X487.528.141.000	2	Screw	M8 X 30
3	X520.803.901.000	3	Lock Washer	
4	816.860.100.120	2	Bush	
6	G716.861.100.020	1	Sensor	
7	X485.002.501.000	2	Hex. Sock. Screw	M5 X 12
8	X520.802.601.000	2	Lock Washer	
9	X450.003.908.000	2	Disc	
13	816.860.100.080	1	Spring Wire	
14	816.860.100.032	1	Angle.	
15	X485.009.405.000	1	Hex. Sock. Screw	M8 X 16
16	X523.703.900.000	1	Lock Washer	
17	X500.628.246.000	1	Roll Pin	8 X 22
19	816.860.100.020	1	Cover	
22	524.860.100.100	1	Protection.	
23	X487.527.441.000	1	Screw	M8 X 12

1-WQ17-011-A

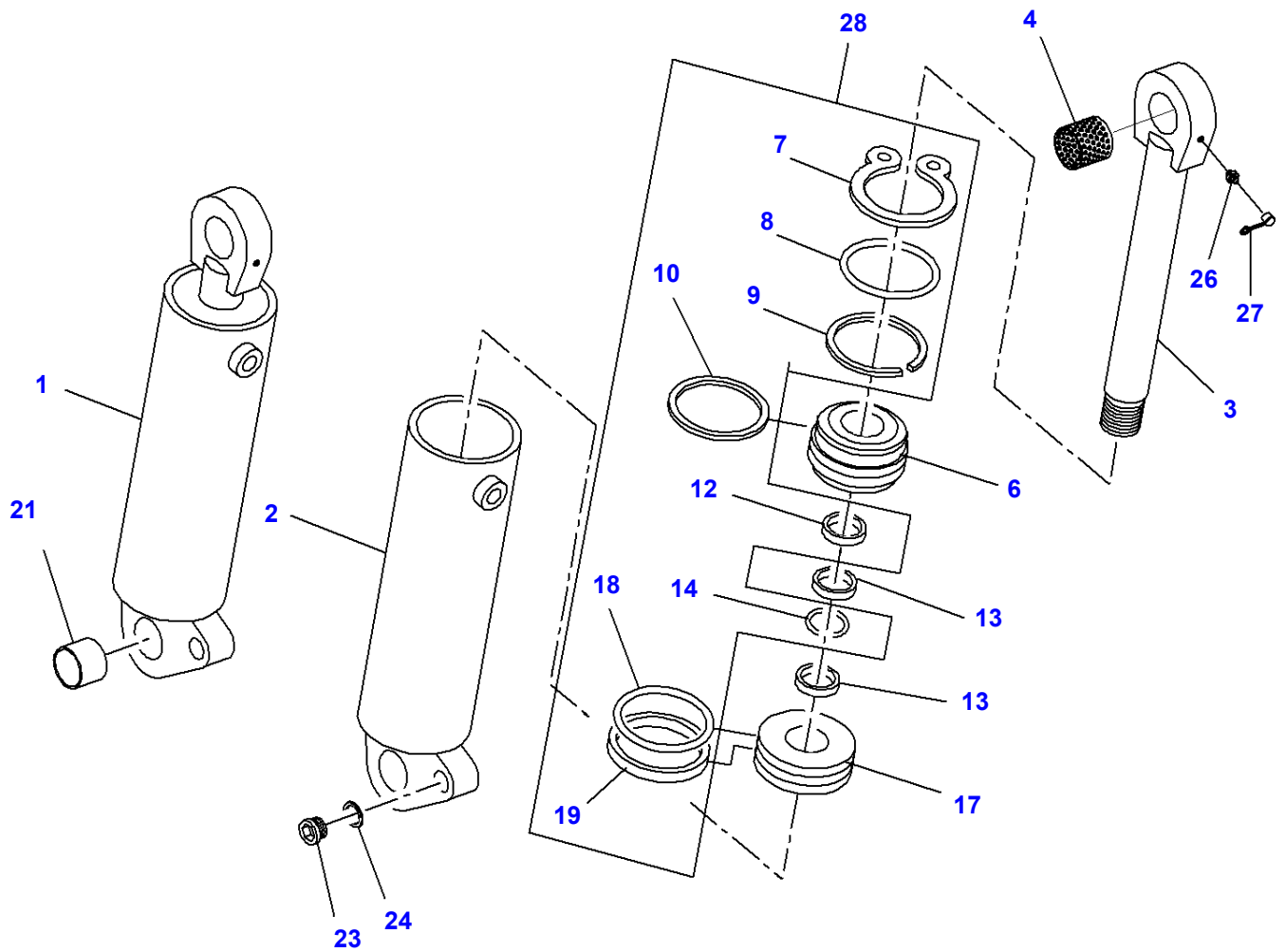
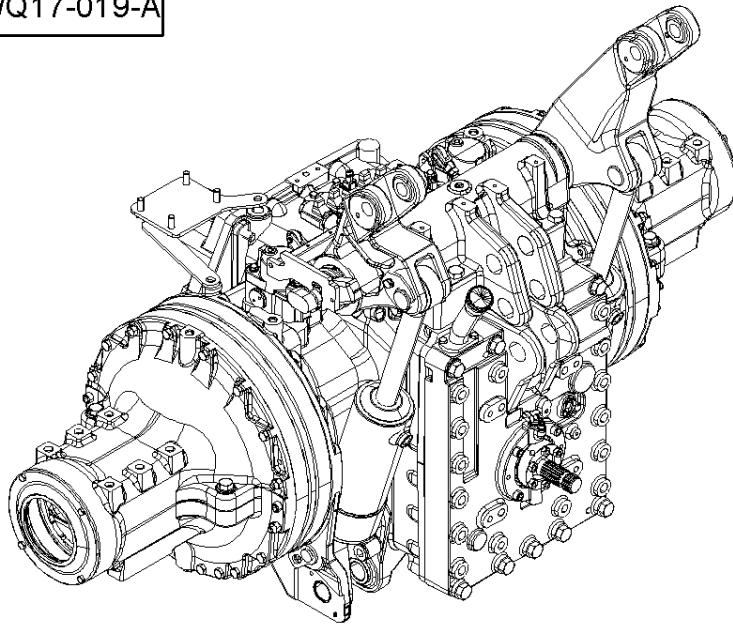


Massey Ferguson**MF 8470/8480 TRACTOR (TIER 3) - 3906071****3906071****Lift Cylinders - From 903/00101 - Up To 903/00300 - From 903/01001 - Up To 903/01470****Page040-0005**

Item	Part Number	Qty	Description	Comments
1	G924.860.030.011	2	Hydraulic, Cylin	[A] 40/100;247/452
2		1	Body	(1) REF. 1
3	F924.860.030.030	1	Rod	(1)
4	X605.028.000.000	1	Bearing Bush	(1)
6	F924.860.030.010	1	Guide Bush	(1)
7	X530.008.300.000	1	Circlip	(1) 95 X 3
8	X548.972.066.000	1	O Ring	(1) 88 X 3
9	F924.860.030.020	1	Snapping	(1)
10	X547.583.600.000	1	Sump Gasket	(1) 93,8 X 6,9
12	X540.410.601.000	1	Stripper	(1)
13	X560.240.001.000	2	Ring	(1)
14	X548.317.400.000	1	V-Seal	(1) 40 X 48 X 7
17	F924.860.030.050	1	Piston	(1)
18	X560.242.800.000	1	Ring	(1)
19	X547.587.200.000	1	Sump Gasket	(1)
21	X605.018.000.000	1	Bearing Bush	(1)
23	X483.801.600.000	1	Screw	(1) M18
24	X540.005.478.000	1	Ring	(1)
25	G001.990.011.310	1	Kit, Seal	[B]

FOOTNOTE [A] INCLUDE ITEMS 2 TO 24**FOOTNOTE [B]** INCLUDE ITEMS 7 TO 10-12 TO 14-18-19

1-WQ17-019-A



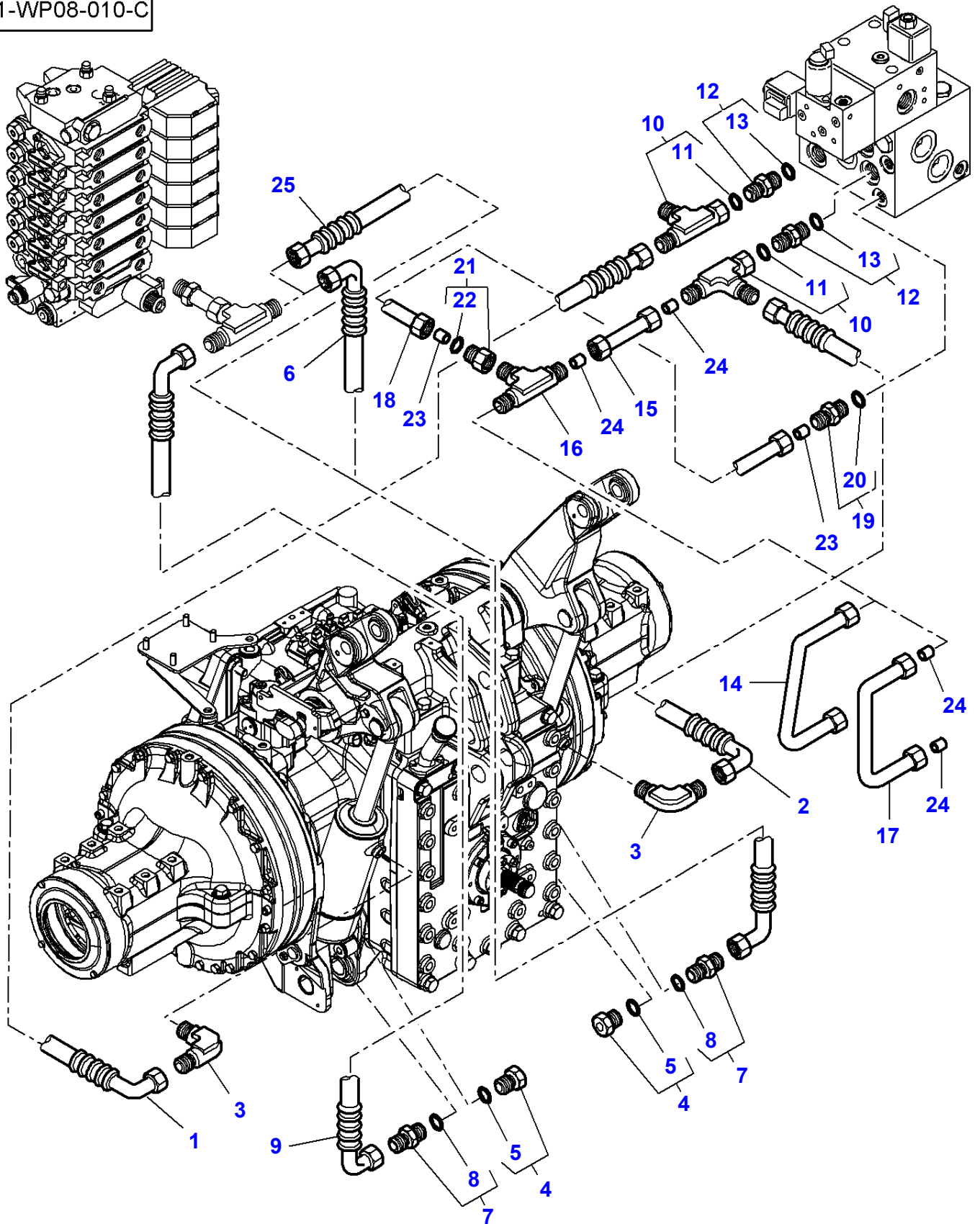
Massey Ferguson**MF 8470/8480 TRACTOR (TIER 3) - 3906071****3906071****Lift Cylinders - From 903/01471****Page040-0010**

Item	Part Number	Qty	Description	Comments
1	G930.860.030.020	2	D.A.Hydr.Cylind.	[A] 40/100;247/452
2		1	Body	(1) REF. 1
3	F411.860.030.050	1	Rod	(1)
4	X609.535.400.000	1	Bush	(1)
6	F924.860.030.010	1	Guide Bush	(1)
7	X530.008.300.000	1	Circlip	(1) 95 X 3
8	X548.972.066.000	1	O Ring	(1) 88 X 3
9	F924.860.030.020	1	Snapping	(1)
10	X547.583.600.000	1	Sump Gasket	(1) 93,8 X 6,9
12	X540.410.601.000	1	Stripper	(1)
13	X560.240.001.000	2	Ring	(1)
14	X548.317.400.000	1	V-Seal	(1) 40 X 48 X 7
17	F924.860.030.050	1	Piston	(1)
18	X560.242.800.000	1	Ring	(1)
19	X547.587.200.000	1	Sump Gasket	(1)
21	X605.018.000.000	1	Bearing Bush	(1)
23	X483.801.600.000	1	Screw	(1) M18
24	X540.005.478.000	1	Ring	(1)
26	X662.516.200.000	1	Grease Nipple	(1)
27	X562.504.000.000	1	Cap	(1)
28	G001.990.011.310	1	Kit, Seal	[B]

FOOTNOTE [A] INCLUDE ITEMS 2 TO 27**FOOTNOTE [B]** INCLUDE ITEMS 7 TO 10-12 TO 14-18-19

MF 8470/8480 TRACTOR (TIER 3) - 3906071
1-WP08-010-C

1-WP08-010-C



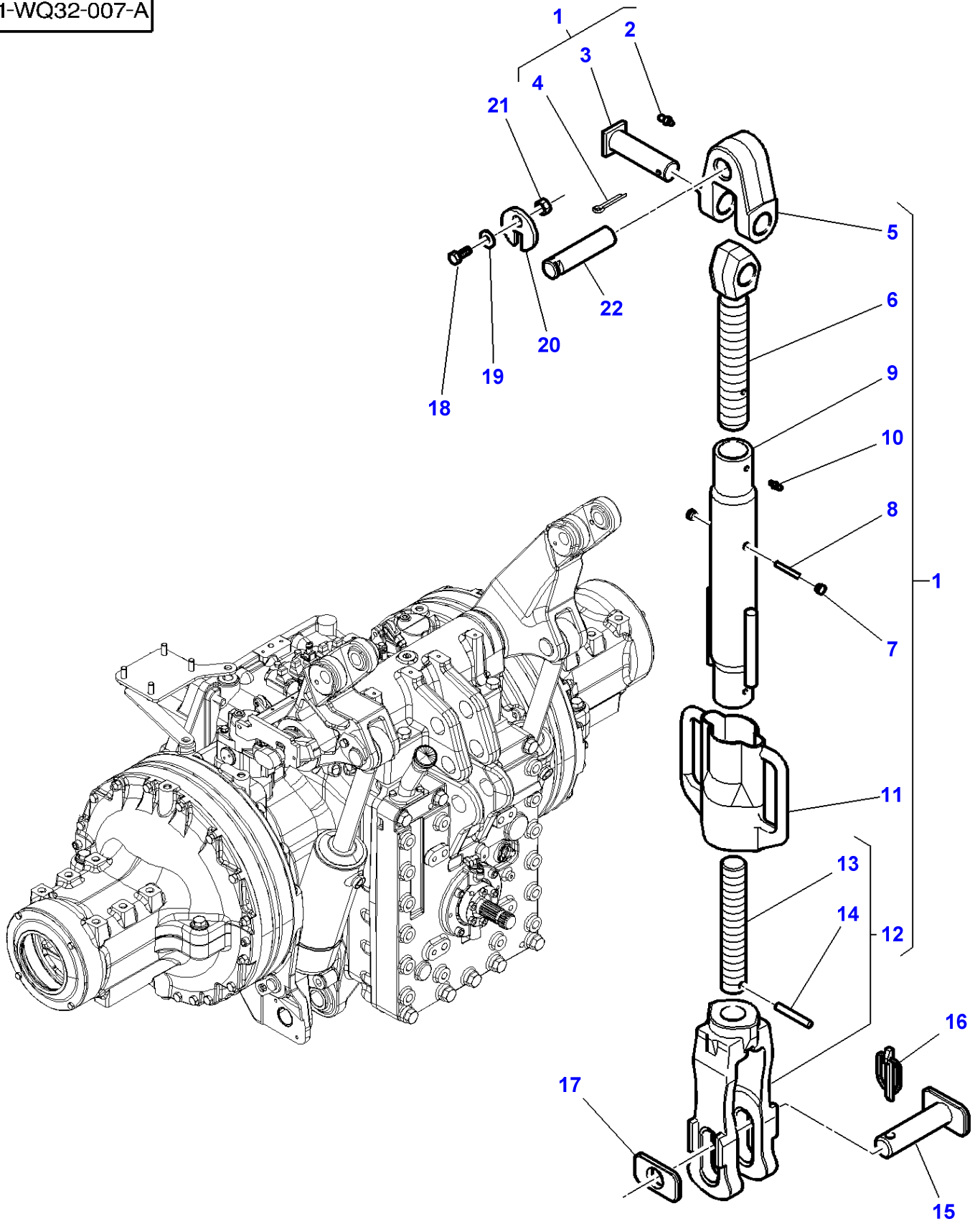
Lift Cylinders Feeding

Item	Part Number	Qty	Description	Comments
1	4276134M1	1	Hydr. Hose	1100MM
2	4276135M1	1	Hydr. Hose	1050MM
3	4276131M1	2	Union	
4		2	Plug	040-0005
5		1	Gasket	(4)
6	4276136M1	1	Hydr. Hose	1400MM R321048
7	338717X91	2	Union	M18
8	338764X1	1	Seal	(7)
9	4276137M3	1	Hydr. Hose	1000MM
10	3011089X91	2	Union	
11	3011147X1	1	O Ring	(10)
12	3011040X91	2	Union	M22X1.5
13	3011036X1	1	Seal	(12)
14	4276170M1	1	Tube	R247010
15	4286041M2	1	Tube	[A]
16	338738X1	1	Union	[A]
17	4280535M3	1	Tube	R247011
18	4285462M3	1	Tube	R247011
19	338795X91	1	Union	R247011
20	338762X1	1	Seal	(19) R247011
21	3011070X91	1	Union	R247011
22	3011147X1	1	O Ring	(21) R247011
23	3011805X1	2	Bush	R247011
24	3011807X1	2	Bush	R153046 R247010
	3011807X1	4	Bush	R247011
25	4276136M2	1	Hydr. Hose	[B] 1200 MM R321049

FOOTNOTE [A] WITH FRONT AXLE SUSPENDED

FOOTNOTE [B] VALID ALSO FOR TRACTOR R313045

1-WQ32-007-A



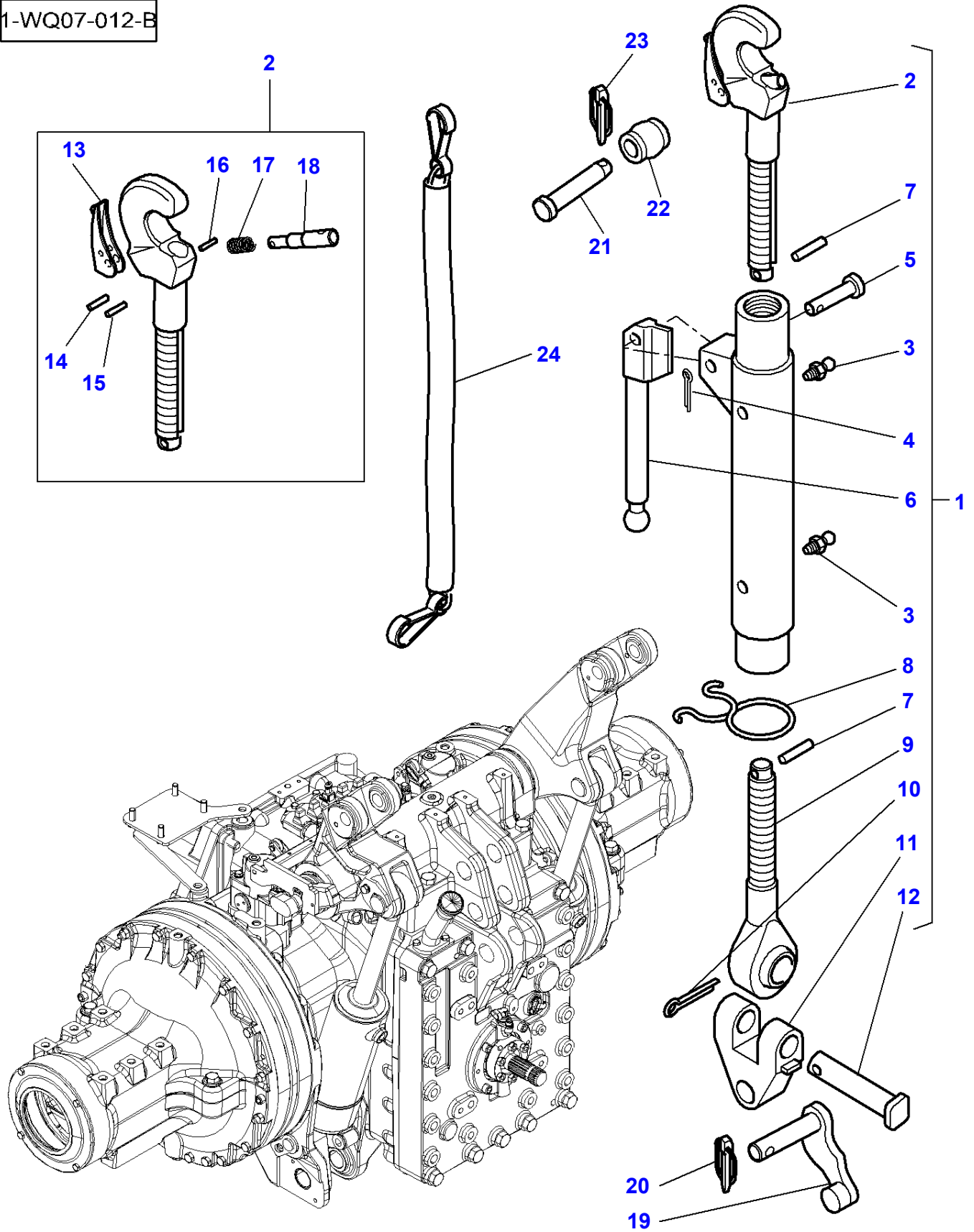
Levelling box

Item	Part Number	Qty	Description	Comments
1	4271564M91	2	Draglink	820/920 MM S100039
	4271564M91	2	Draglink	820/920 MM R332023
	4286628M91	2	Draglink	[B] 720/920 MM S100040
	4286628M91	2	Draglink	[B] 720/920 MM R330024
2	339608X1	1	Grease Nipple	(1) M10
3	3715690M1	1	Clevis Pin	(1)
4	354092X1	1	Split Pin	(1)
5	4271819M1	1	Clevis	(1)
6	3788407M1	1	Draglink	[A] (1)
	4285856M1	1	Draglink	[B] (1)
7	3789540M1	2	Plug	(1)
8	339135X1	1	Roll Pin	(1)
9		1	Tube	(1) REF No 1
10	3715689M1	2	Grease Fitting	(1) M6
11	4270811M1	1	Grip	[A] (1)
	4286640M1	1	Grip	[B] (1)
12	3788403M91	1	Clevis	[A] (1)
	4286639M91	1	Clevis	[B] (1)
13	3788405M1	1	Clevis Pin	[A] (12) M36 X 179 MM
	4286638M1	1	Clevis Pin	[B] (12) M36 X 210 MM
14	339307X1	1	Pin	(12) 6 X 50
15	3788414M1	2	Clevis Pin	
16	3792034M1	2	Pin	
17	3788415M1	2	Plate	
18	339451X1	2	Hex. Sock. Screw	M10 X 30
19	390597X1	2	Flat Washer	10-30 X 2,5
20	926870030020	2	Locking Plate	
21	926870030030	2	Bush	
22	926870030010	2	Pin	

FOOTNOTE [A] FOR LEVELLING BOX 820/920 MM

FOOTNOTE [B] FOR LEVELLING BOX 720/920 MM

1-WQ07-012-B



Massey Ferguson

MF 8470/8480 TRACTOR (TIER 3) - 3906071

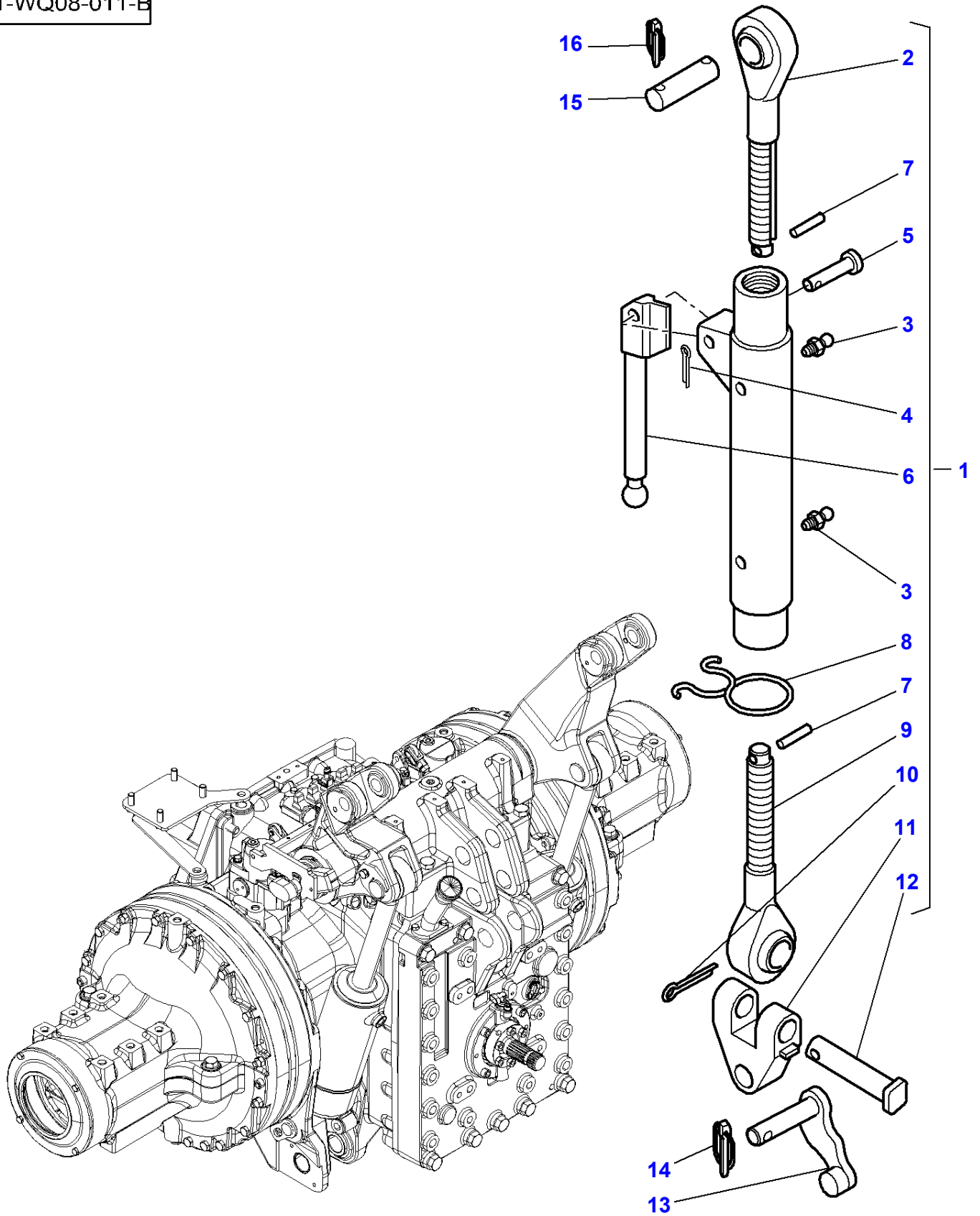
3906071

Page 040-0025

Top Link With Hook End

Item	Part Number	Qty	Description	Comments
1	4271217M91	1	Top Link	CAT 3 754/974MM
2	4271219M91	1	Hook	(1) CAT 3
3	339608X1	2	Grease Nipple	(1)
4	1442967X1	1	Split Pin	(1)
5	4271225M1	1	Pin	(1)
6	4271224M1	1	Grip	(1)
7	339192X1	2	Roll Pin	(1)
8	4271557M1	1	Spring	(1)
9	4271221M1	1	Draglink	(1)
10	354092X1	1	Split Pin	(1)
11	4271222M1	1	Clevis	(1)
12	4271223M1	1	Plate	(1)
13	3796211M91	1	Lever	(2)
14	339080X1	1	Roll Pin	(2) 6 X 24MM
15	390538X1	1	Roll Pin	(2) 5 X 24MM
16	339806X1	1	Roll Pin	(2)
17	3788537M1	1	Spring	(2)
18	3715849M2	1	Clevis Pin	(2)
19	H926.870.050.021	1	Pin	
20	3387161M2	1	Pin	12 X 45MM
21	3582043M2	1	Pin	CAT 2/3
	367073X1	1	Clevis Pin	CAT 3
22	3042433M1	1	Toggle	CAT 2/3
	4303393M1	1	Toggle	CAT 3
23	3387161M2	1	Pin	
24	3619219M1	1	Chain	3700 MM
	3903995M1	1	Chain	1500 MM

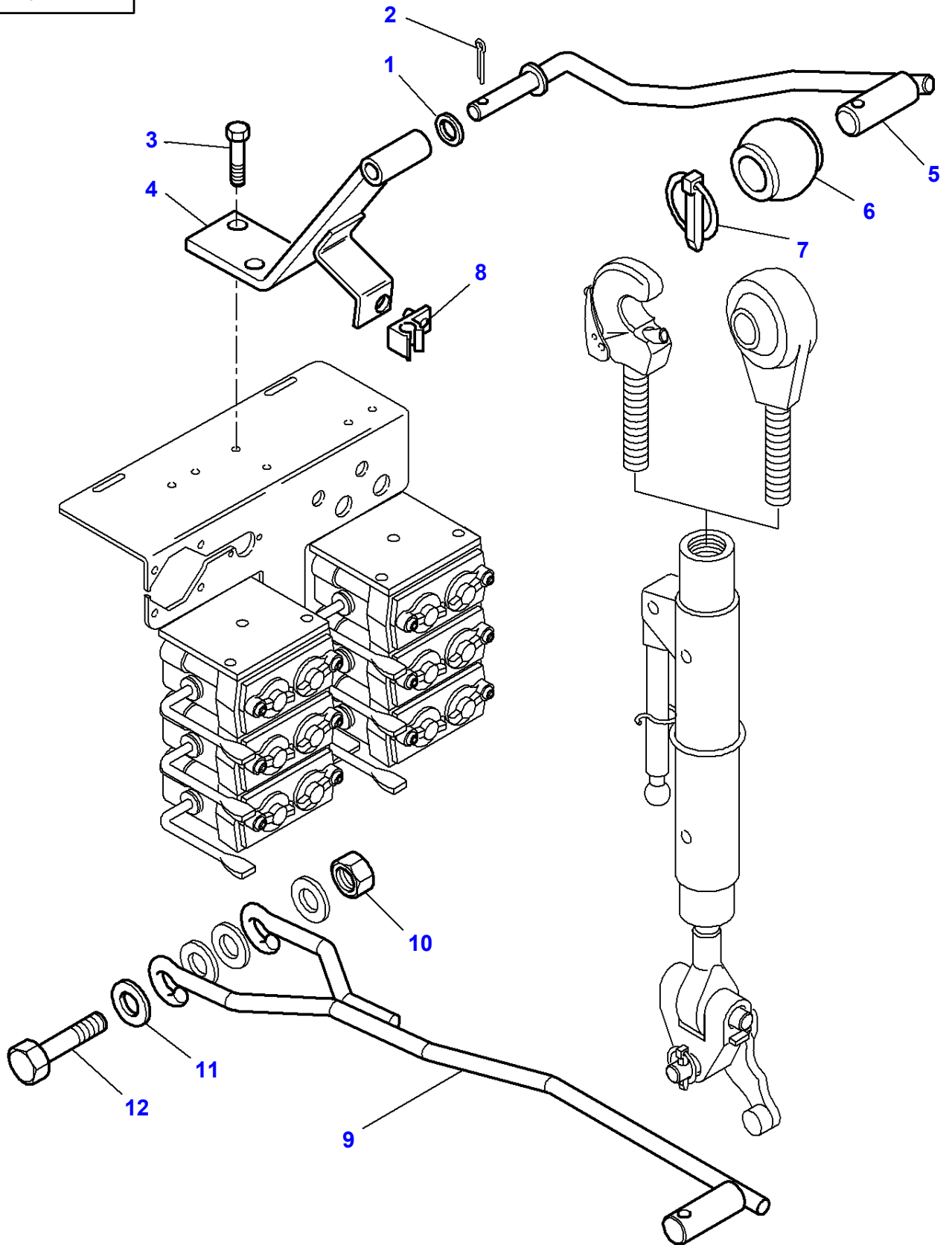
1-WQ08-011-B



Massey Ferguson**MF 8470/8480 TRACTOR (TIER 3) - 3906071****3906071****Page040-0030****Top Link With Ball End**

Item	Part Number	Qty	Description	Comments
1	4275811M91	1	Top Link	CAT 3 754/974MM
2	4275809M91	1	Draglink	(1) CAT 3
3	339608X1	2	Grease Nipple	(1)
4	1442967X1	1	Split Pin	(1)
5	4271225M1	1	Pin	(1)
6	4271224M1	1	Grip	(1)
7	339192X1	2	Roll Pin	(1)
8	4271557M1	1	Spring	(1)
9	4275810M1	1	Draglink	(1)
10	354092X1	1	Split Pin	(1)
11	4271222M1	1	Clevis	(1)
12	4271223M1	1	Plate	(1)
13	H926.870.050.021	1	Pin	
14	3387161M2	1	Pin	12 X 45MM
15	184.870.050.020	1	Bush	
16	3387161M2	1	Pin	

1-WQ34-011-B

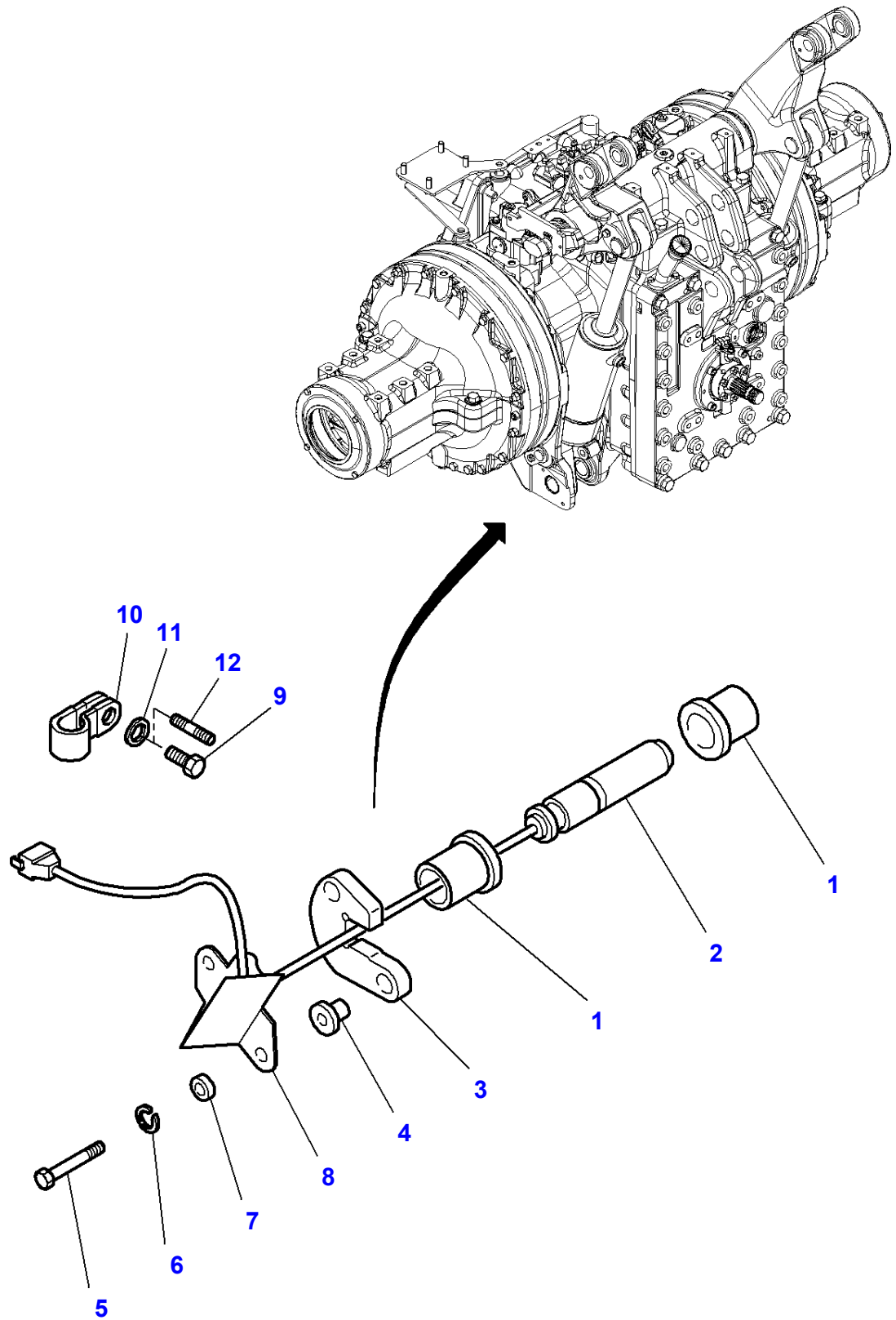


Massey Ferguson**MF 8470/8480 TRACTOR (TIER 3) - 3906071****3906071****Page040-0035****Top Link Lock**

Item	Part Number	Qty	Description	Comments
1	339615X1	1	Flat Washer	S135045
2	354080X1	1	Split Pin	S135045
3	339761X1	2	Bolt	M8 X 25
4	3789956M1	1	Support	
5		1	Support	[B] S135045
6	3042433M1	1	Toggle	
7	3011024X1	1	Pin	
8	3798993M1	1	Clip	
9	4304320M1	1	Retainer	S135046
10	1440330X1	1	Locknut	S135046
11	391212X1	4	Washer	S135046
12	3015344X1	1	Hex. Sock. Screw	S135046 M12 X 115

FOOTNOTE [B] ORDER + ITEM 9-10-11-12

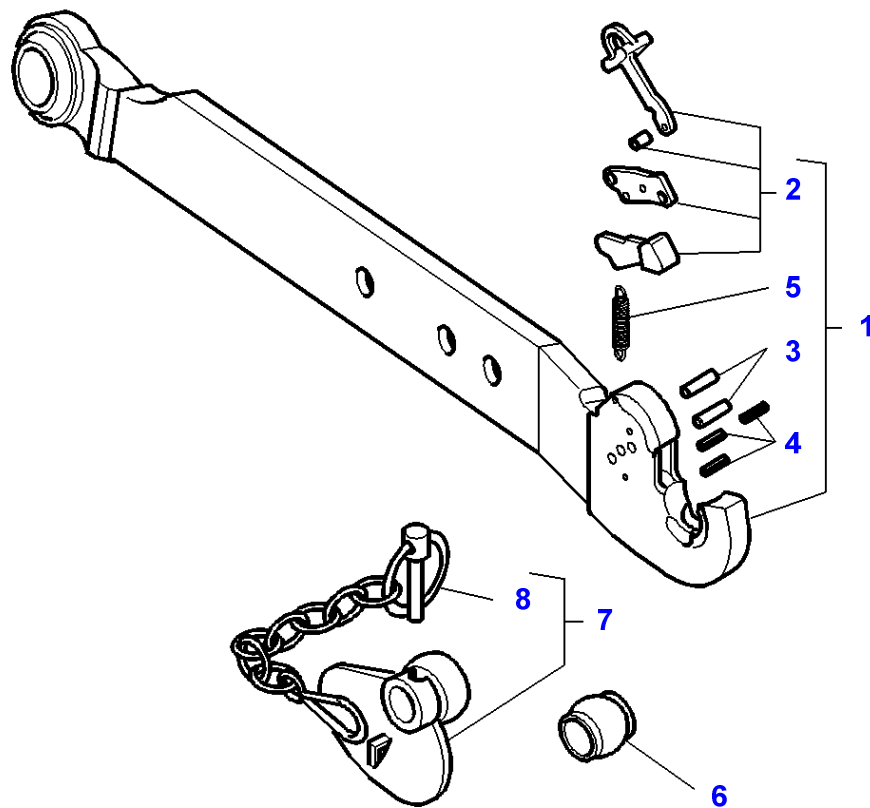
1-WQ11-007-D



Massey Ferguson**MF 8470/8480 TRACTOR (TIER 3) - 3906071****3906071****Sensing Pin****Page040-0040**

Item	Part Number	Qty	Description	Comments
1	903860070010	4	Bush	
2	3716981M2	2	Inductive Sensor	
3	816860070011	2	Locking Plate	
4	199860070010	4	Bush	
5	339019X1	4	Bolt	M10 X 50
6	339376X1	4	Spring Washer	
7	281880010070	4	Ring	
8	816860070030	1	Protection.	
	816860070040	1	Protection.	
9	391074X1	2	Bolt	M6 X 12 P061070
	339560X1	2	Bolt	M6 X 16 P061071 26-APR-2007
10	3389841M1	2	Clip	
11	390971X1	2	Flat Washer	
12	3011669X1	2	Stud	M6 X 16 27-APR-2007

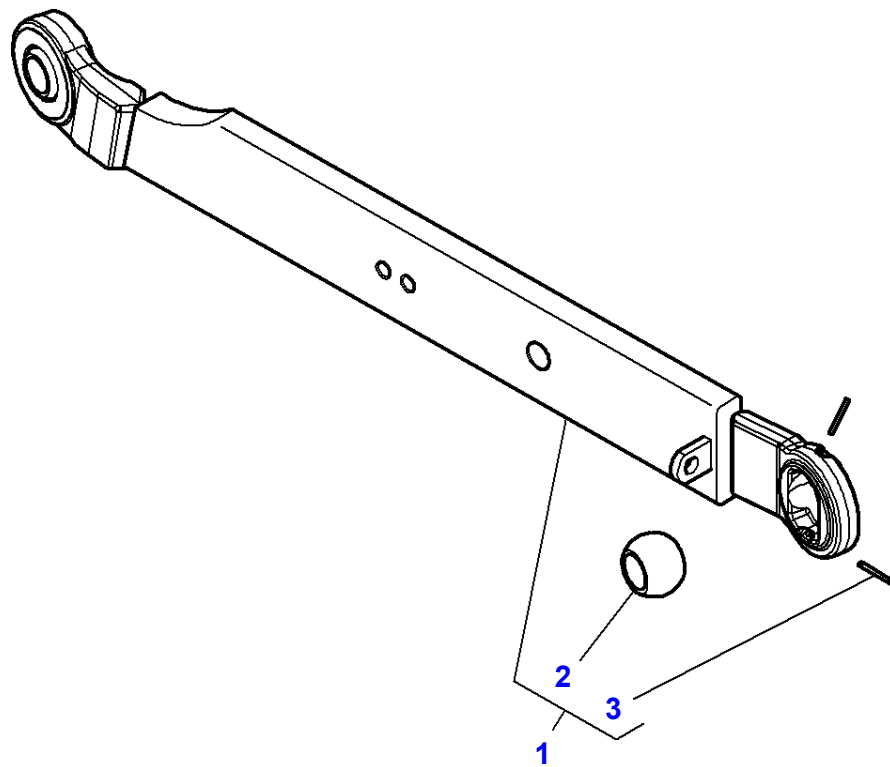
1-WQ09-007-A



Massey Ferguson**MF 8470/8480 TRACTOR (TIER 3) - 3906071****3906071****Lower Bar With Hook****Page040-0045**

Item	Part Number	Qty	Description	Comments
1	3789398M91	1	Bar	CAT 3 R153045
	3789399M91	1	Bar	CAT 3 R153045
	4273702M91	1	Bar	CAT 3 R153046
	4273703M91	1	Bar	CAT 3 R153046
2	3903954M91	1	Kit, Lever	(1)
3	3903948M91	1	Kit, Roll Pins	(1)
4	3903947M91	1	Kit, Roll Pins	(1)
5	3788565M1	1	Spring	(1)
6	3042430M1	2	Toggle	CAT 2/3
	4303395M1	2	Toggle	CAT 3
7	3042427M1	2	Toggle	CAT 2/3
	3042428M1	2	Toggle	CAT 3
8	F281.870.062.052	1	Lynch Pin 11mm	(7)

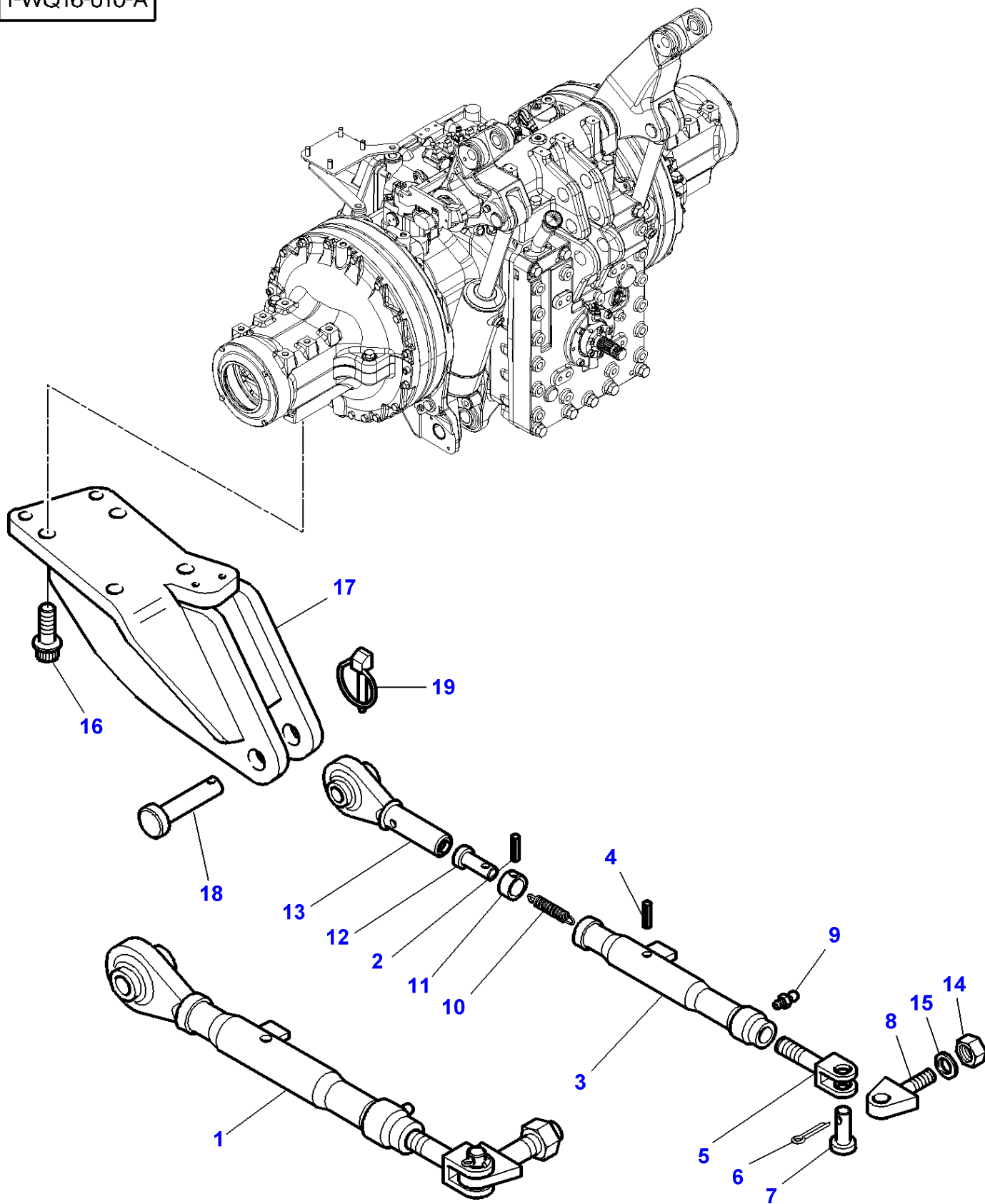
1-WQ06-005-B



Massey Ferguson**MF 8470/8480 TRACTOR (TIER 3) - 3906071****3906071****Lower Bar With Toggle****Page040-0050**

Item	Part Number	Qty	Description	Comments
1	4275847M92	1	Bar	CAT 3
	4275848M92	1	Bar	CAT 3
2	3792609M1	1	Toggle	(1) S025016
3	391290X1	2	Roll Pin	(1) S025016

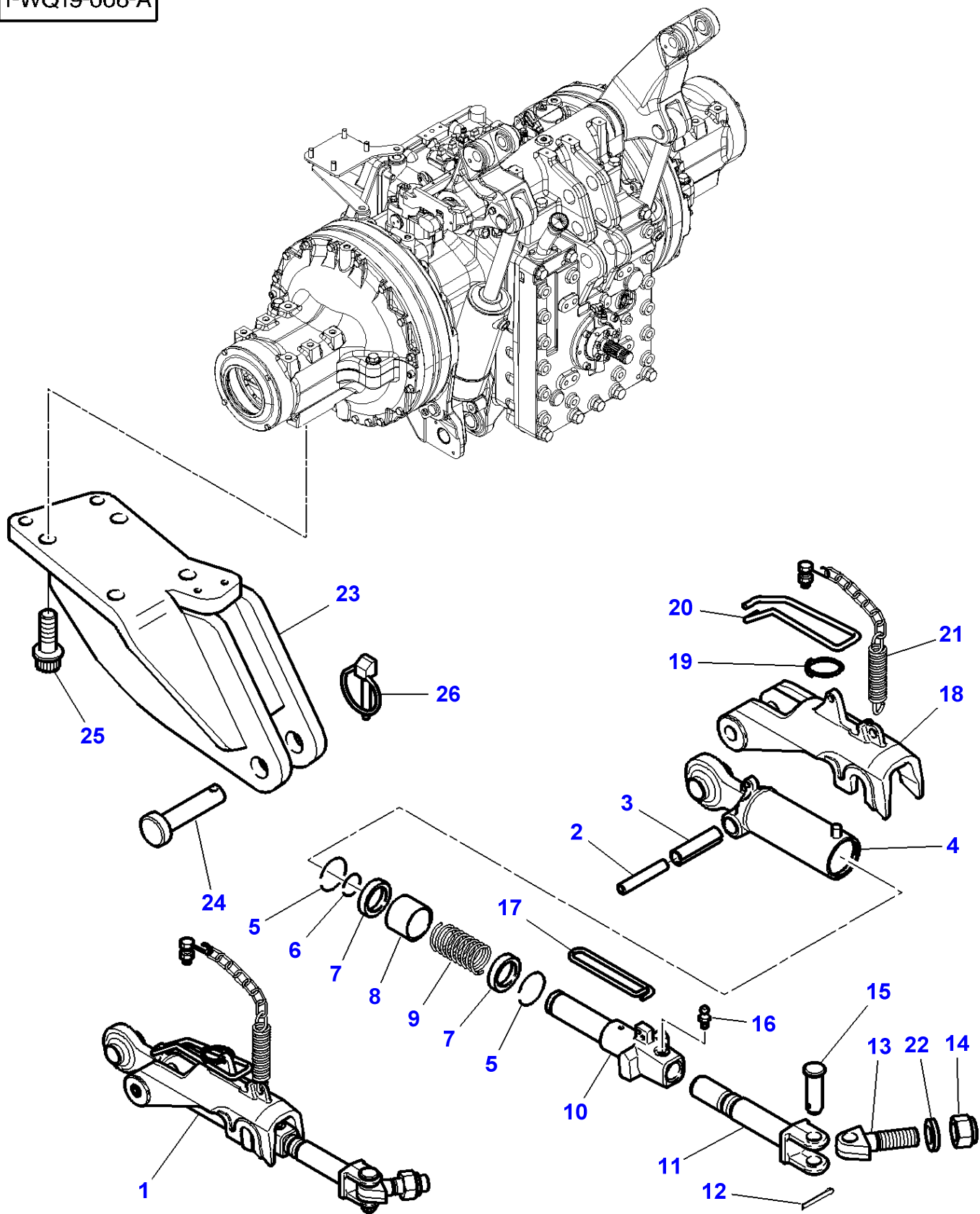
1-WQ16-010-A



Massey Ferguson**MF 8470/8480 TRACTOR (TIER 3) - 3906071****3906071****Page040-0055****Tube Stabilizers**

Item	Part Number	Qty	Description	Comments
1	4271572M91	2	Stabiliser	407/502
2	391290X1	1	Roll Pin	(1) 5 X 30
3	3794472M91	1	Tube	(1)
4	3819644M1	1	Spirol Pin	(1) 8 X 50
5	3790004M1	1	Clevis	(1)
6	391371X1	1	Split Pin	(1) 5 X 40
7	3019228X1	1	Clevis Pin	(1)
8	4271109M1	1	Journal	(1)
9	339608X1	1	Grease Nipple	(1)
10	3615711M1	1	Spring	(1)
11	3615709M1	1	Sleeve	(1)
12	3615710M1	1	Clevis Pin	(1)
13	3794411M91	1	Toggle	(1)
14	3010067X1	1	Locknut	(1)
15	4271602M1	1	Washer	(1)
16	3011608X1	8	Screw	M20 X 75
17	3789400M1	1	Support	
	3789401M1	1	Support	
18	3582043M2	2	Pin	
19	3792034M1	2	Pin	

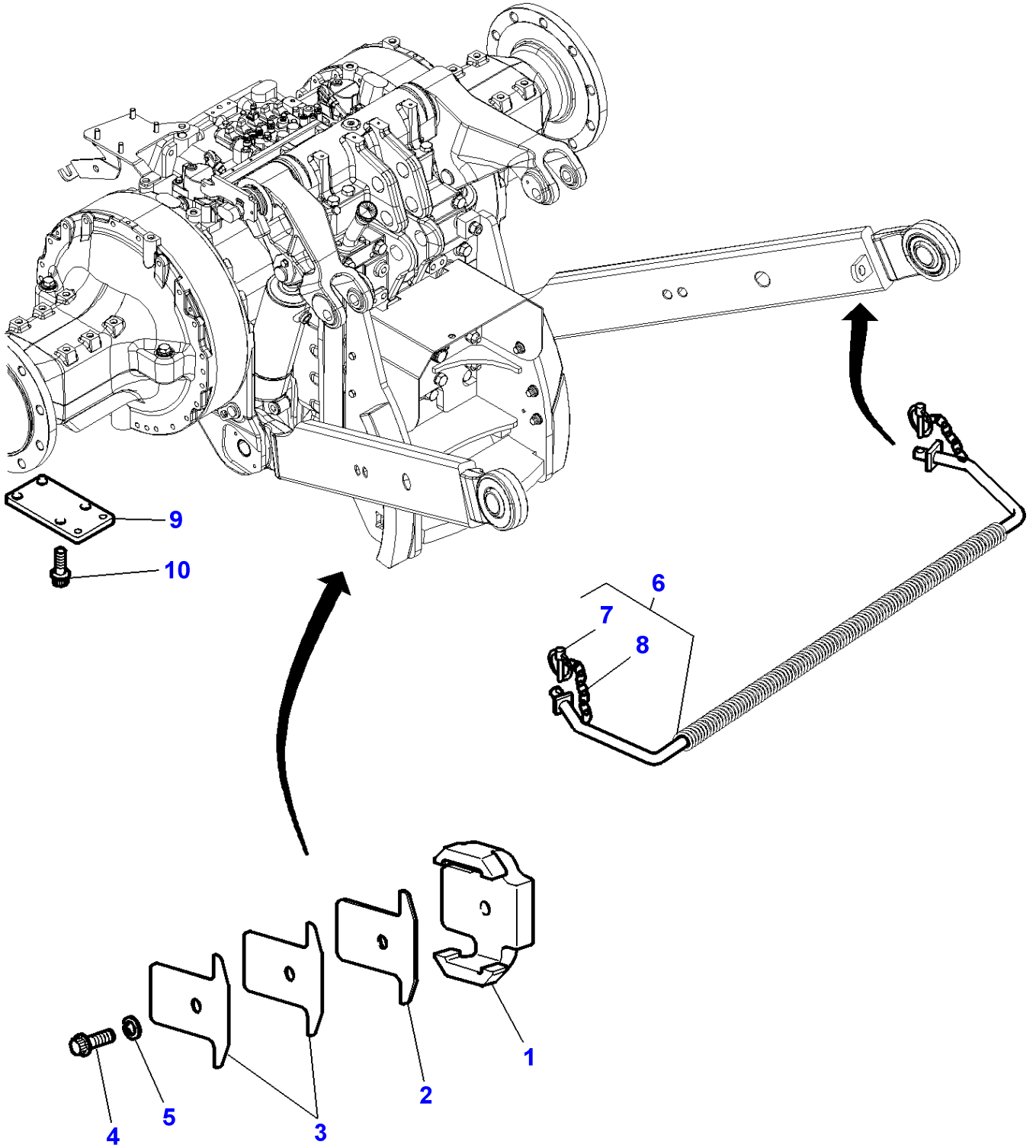
1-WQ19-006-A



Automatic Stabilizers

Item	Part Number	Qty	Description	Comments
1	4271707M93	2	Stabiliser	
2	4271699M1	1	Pin	(1)
3	4271698M1	1	Pin	(1)
4	4271696M1	1	Toggle	(1)
5	4271690M1	2	Bush	(1)
6	4271694M1	1	Bush	(1)
7	4271691M1	2	Spacer	(1)
8	4271693M1	1	Spacer	(1)
9	4271692M1	1	Spring	(1)
10	4271688M1	1	Tube	(1)
11	4271708M2	1	Clevis	(1)
12	391371X1	1	Split Pin	(1)
13	4271109M1	1	Journal	(1)
14	3010067X1	1	Locknut	(1)
15	3019228X1	1	Clevis Pin	(1)
16	339608X1	1	Grease Nipple	(1)
17	4271689M1	1	Spring	(1)
18	4271697M1	1	Latch	(1)
19	4271700M1	1	Ring	(1)
20	4271695M1	1	Grip	(1)
21	4271703M91	1	Chain	(1)
22	4271602M1	1	Washer	(1)
23	3789400M1	1	Support	
	3789401M1	1	Support	
24	3582043M2	2	Pin	
25	3011608X1	8	Screw	M20 X 75
26	3792034M1	2	Pin	

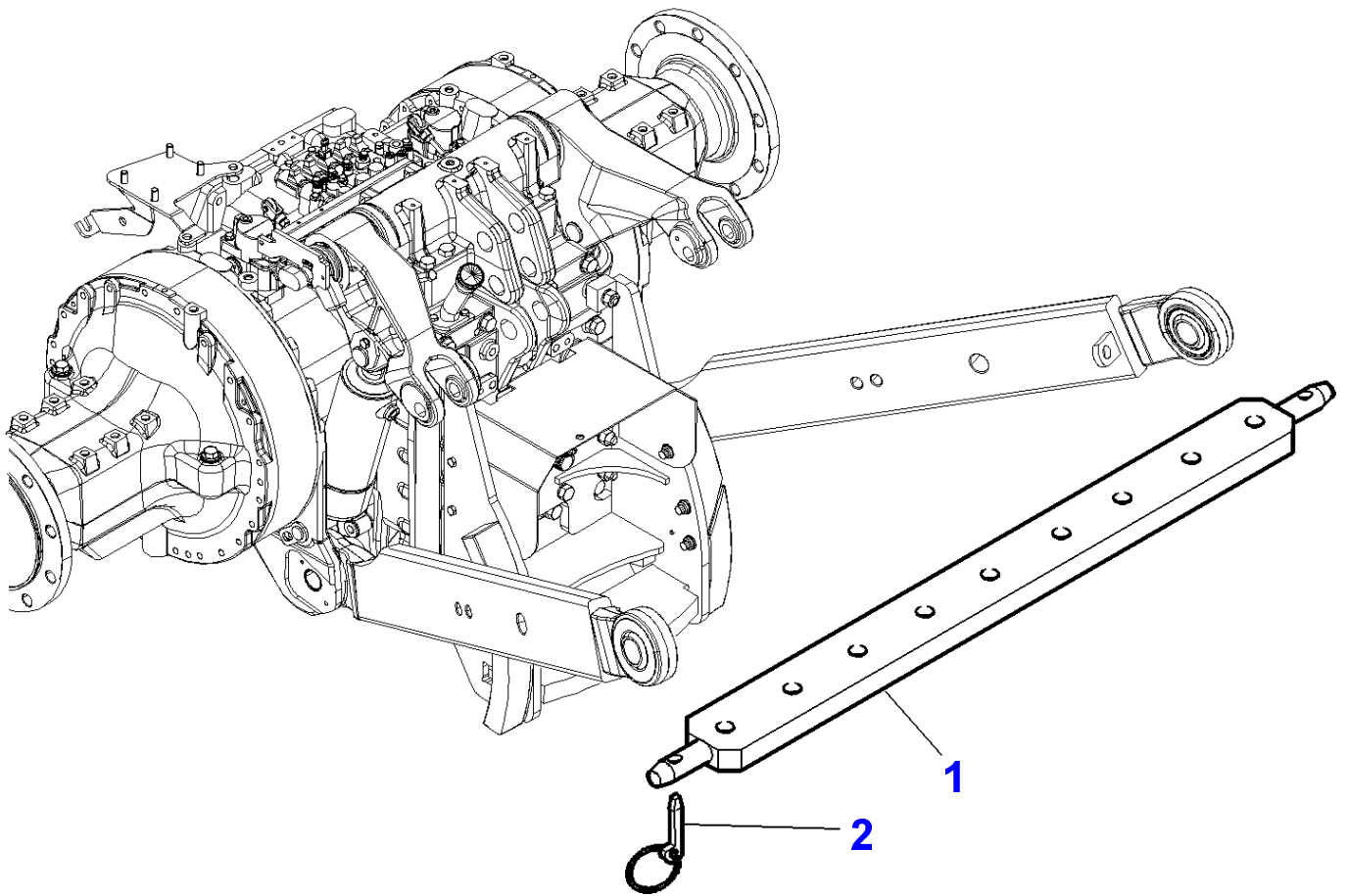
1-WQ15-004-B



Massey Ferguson**MF 8470/8480 TRACTOR (TIER 3) - 3906071****3906071****Shoe Stabilizers****Page040-0065**

Item	Part Number	Qty	Description	Comments
1	922870040051	2	Stop	
2	926871040070	2	Base Plate	6MM
3	926871040080	4	Base Plate	2MM
4	3009805X1	2	Screw Metric	M16 X 60
5	339377X1	2	Spring Washer	
6	3792237M1	1	Spring	
7	3105774M1	2	Pin	(6)
8	3105772M1	2	Ring	(6)
9	4279957M1	2	Support	
10	3011608X1	8	Screw	M20 X 75

1-WQ14-002-A



Massey Ferguson

MF 8470/8480 TRACTOR (TIER 3) - 3906071

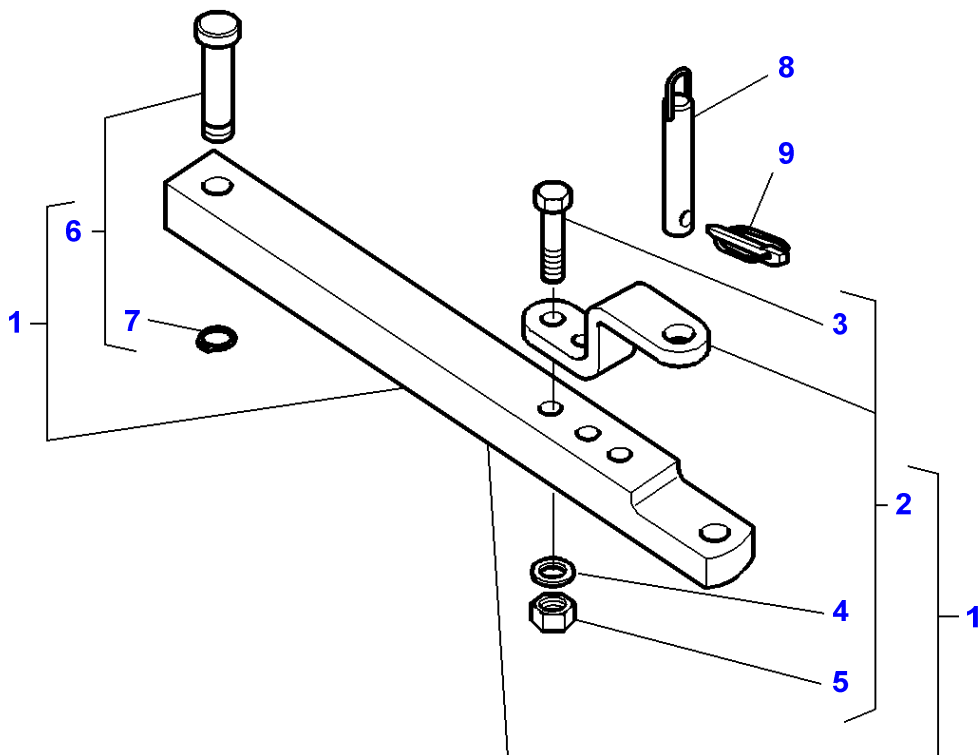
3906071

Drawbar

Page040-0070

Item	Part Number	Qty	Description
1	3387153M1	1	Bar
2	3581687M1	2	Pin

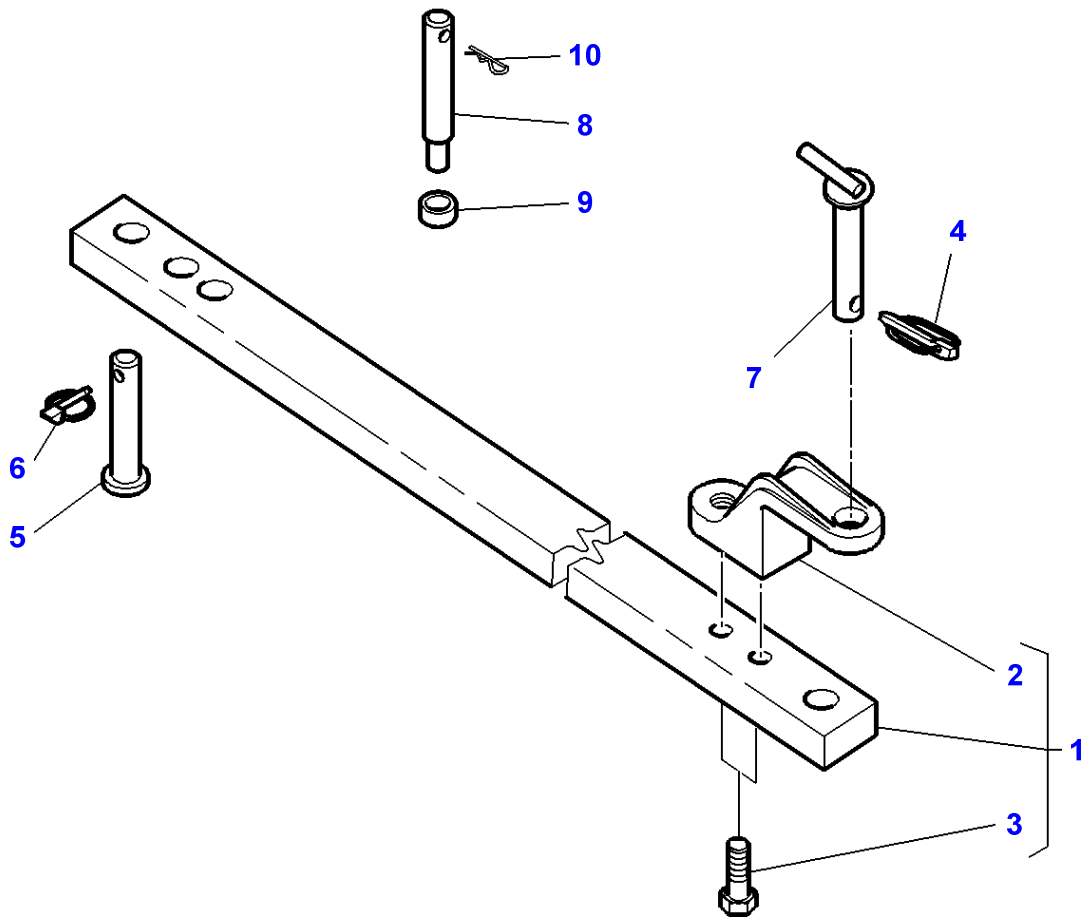
1-WQ12-022-A



Massey Ferguson**MF 8470/8480 TRACTOR (TIER 3) - 3906071****3906071****Swinging Drawbar - With DROMONE Automatic Hook****Page040-0075**

Item	Part Number	Qty	Description	Comments
1	3792662M92	1	Bar	ISO
2	3907058M91	1	Clevis	(1)
3	339616X1	2	Hex. Sock. Screw	(2) M16 X 120 MM
4	1441664X1	2	Flat Washer	(2)
5	339034X1	2	Nut	(2)
6	3907049M91	1	Clevis Pin	(1)
7	1440447X1	1	Circlip	(6)
8	3790349M92	1	Pin Hitch	30 X 191 MM
9	3382826M1	1	Pin	10 X 45 MM

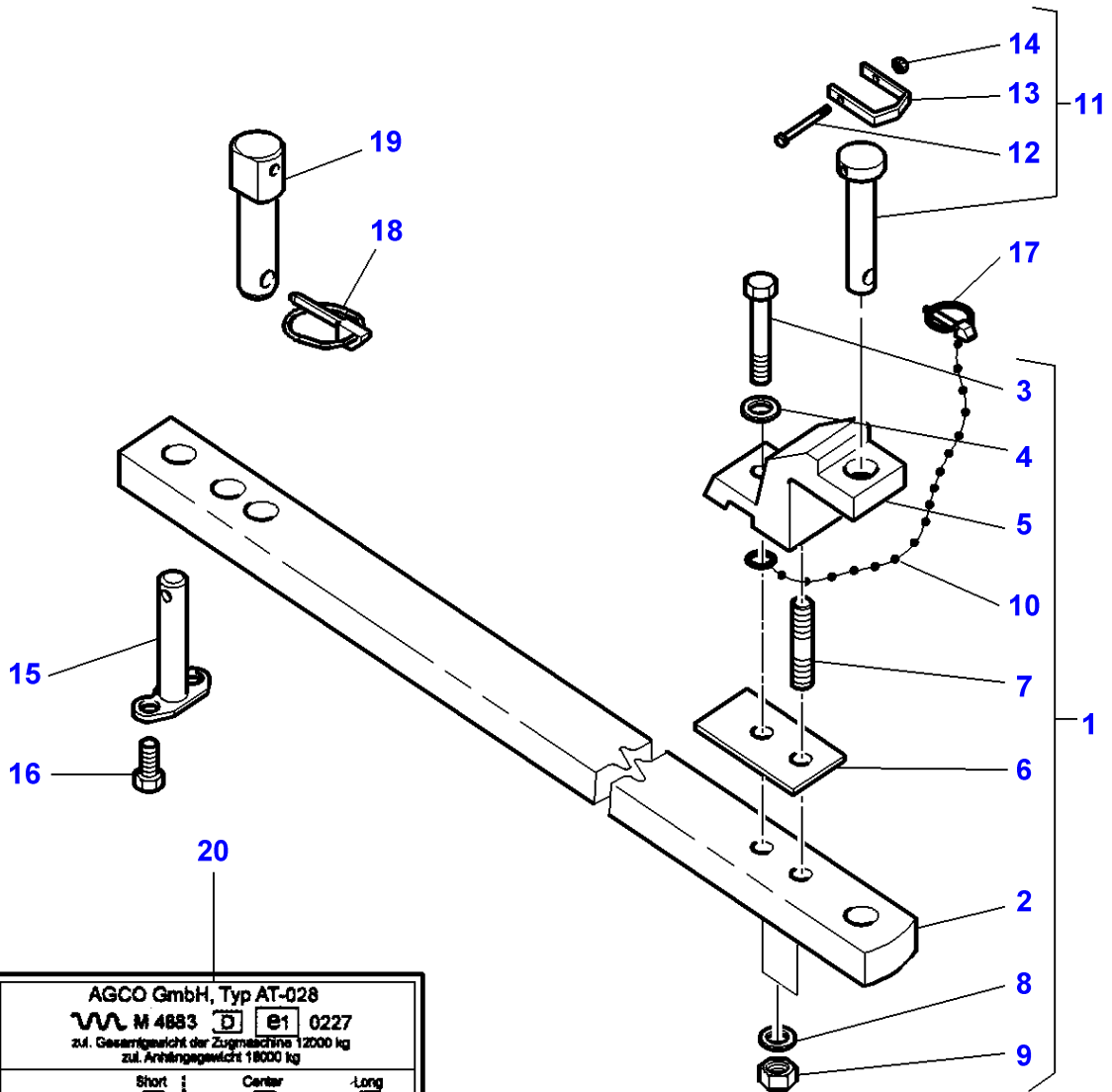
1-WQ12-026-A



Massey Ferguson**MF 8470/8480 TRACTOR (TIER 3) - 3906071****3906071****Page040-0080****Swinging Drawbar**

Item	Part Number	Qty	Description	Comments
1	4270650M91	1	Bar	50X80X720MM
2	3793414M1	1	Clevis	(1)
3	3011383X1	2	Hex. Sock. Screw	(1) M20 X 80
4	3792034M1	1	Pin	
5	3011338X1	1	Clevis Pin	30MM
6	3382826M1	1	Pin	
7	4272346M2	1	Pin Hitch	30X179MM
8	4270649M1	2	Clevis Pin	
9	4270652M1	2	Spacer	
10	3010334X1	2	Hair Pin	

1-WQ12-028-A

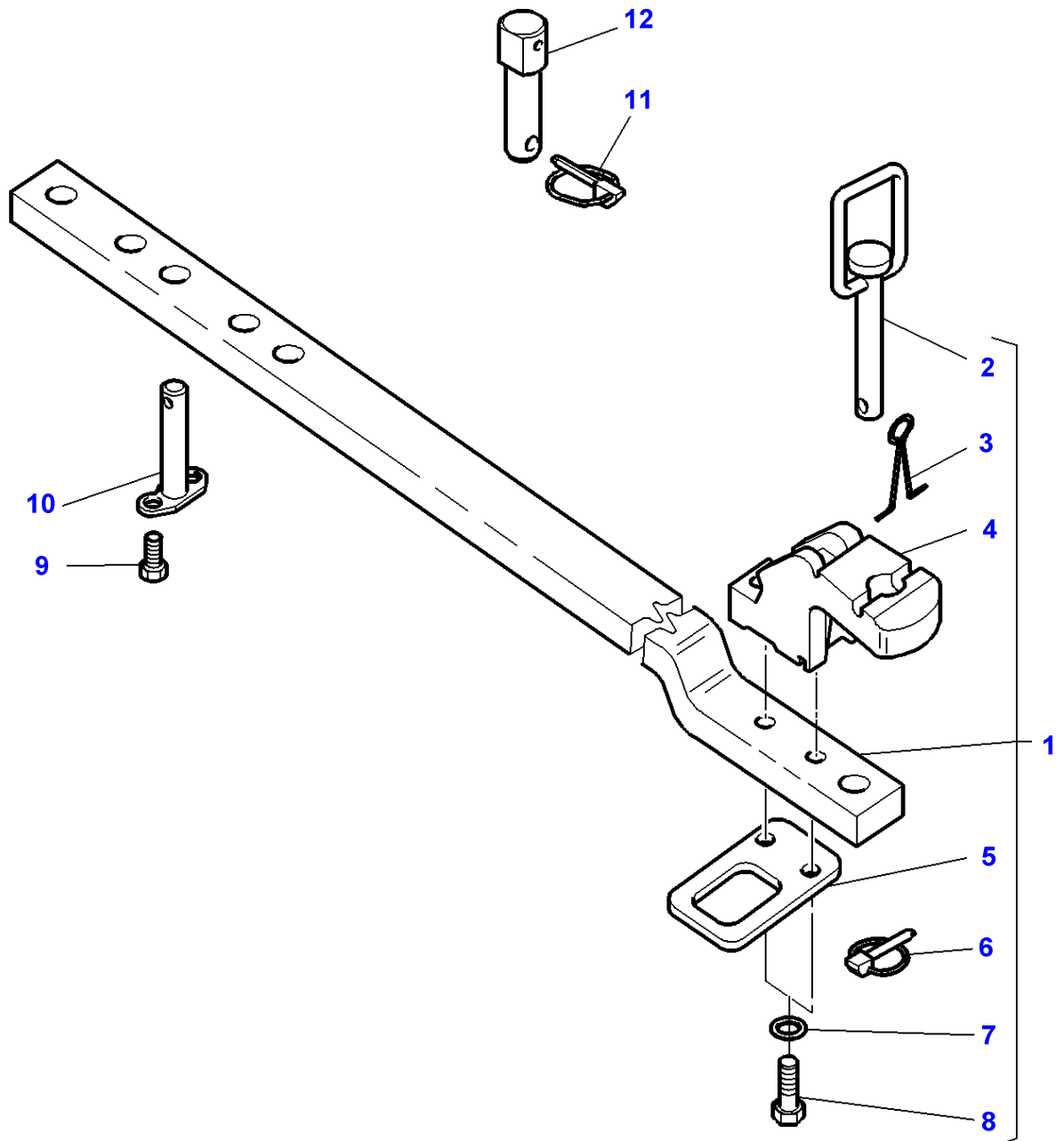


AGCO GmbH, Typ AT-028 M 4883 E1 0227 z.M. Gesamtgewicht der Zugmaschine 12000 kg zul. Anhängergewicht 18000 kg		
Straße Street Rue 2000 kg	Short 1500 kg	Center 1000 kg
Dyn.-Test >40 km/h BVZD TA 31	Acker Field Champ 500 kg	Long 1000 kg
PTO Short up to 350 mm Center up to 500 mm		
Verwendbar nur an Zugmaschinen nach §43 Abs. 4 StVZO Nur in Verbindung mit Zugösen: DIN 9678, ISO 8822-1		

Massey Ferguson**MF 8470/8480 TRACTOR (TIER 3) - 3906071****3906071****Swinging Drawbar - ISO STANDARD****Page040-0085**

Item	Part Number	Qty	Description	Comments
1	G716.501.120.062	1	Tie Rod	
2	716.501.120.630	1	Tie Rod	(1)
3	3581985M1	1	Bolt	(1) M16X90
4	339377X1	1	Spring Washer	(1)
5		1	Yoke	(1) REF NO 1
6	716.501.120.620	1	Chock	(1)
7	920.501.120.100	1	Stud	(1)
8	1440319X1	1	Spring Washer	(1)
9	3009746X1	1	Nut	(1) M20
10	H716.921.050.030	1	String	(1)
11	G916.501.120.050	1	Clevis Pin	30MM
12	339132X1	1	Bolt	(11) M8X75
13	920.500.120.520	1	Stirrup	(11)
14	394367X1	1	Locknut	(11)
15	H816.500.120.020	1	Plug.	
16	3009492X1	2	Cap Screw	M10X25
17	3382826M1	1	Pin	
18	3792034M1	2	Pin	
19	716.501.120.030	2	Pin	90 MM
20	916.501.120.060	1	Decal	

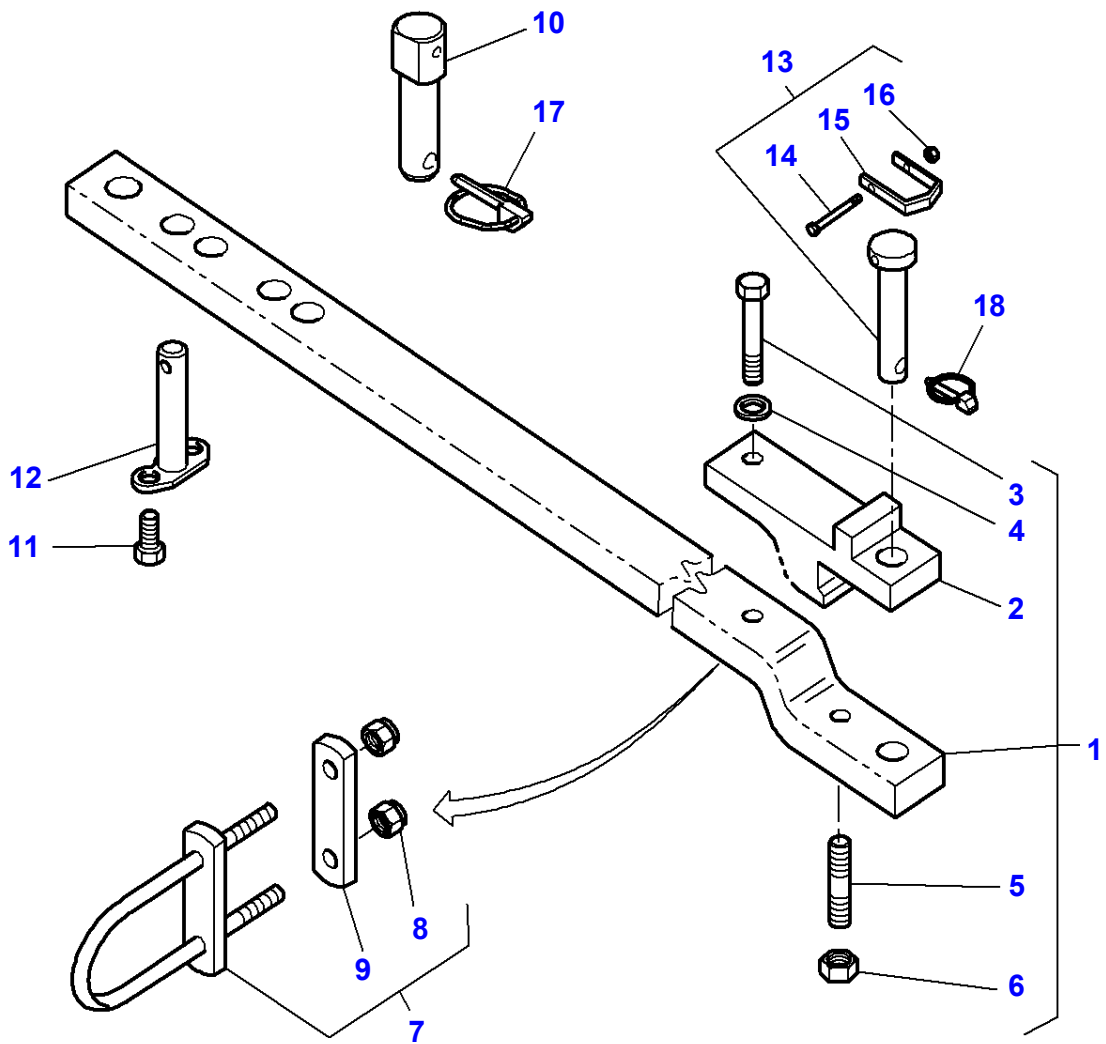
1-WQ12-030-A



Massey Ferguson**MF 8470/8480 TRACTOR (TIER 3) - 3906071****3906071****Swinging Drawbar - SAE STANDARD****Page040-0090**

Item	Part Number	Qty	Description	Comments
1	4277061M91	1	Drawbar	R151071
	4285308M91	1	Drawbar	R151072
2	3795142M1	1	Pin Hitch	(1)
3	3795143M1	1	Spring	(1)
4	3795141M1	1	Clevis	(1)
5	3795530M1	1	Shackle	(1)
6	3581687M1	1	Pin	(1)
7	385365X1	2	Washer	(1)
8	3010945X1	2	Hex. Sock. Screw	(1)
				M20 X 105
				R151071
	3015215X1	2	Hex. Sock. Screw	(1)
				M20 X 125
				R151072
9	3009492X1	2	Cap Screw	M10 X 25
10	H816.500.120.020	1	Plug.	
11	3792034M1	2	Pin	
12	716.501.120.030	2	Pin	R151071
	916.501.120.050	2	Pin	R151072

1-WQ12-036-A

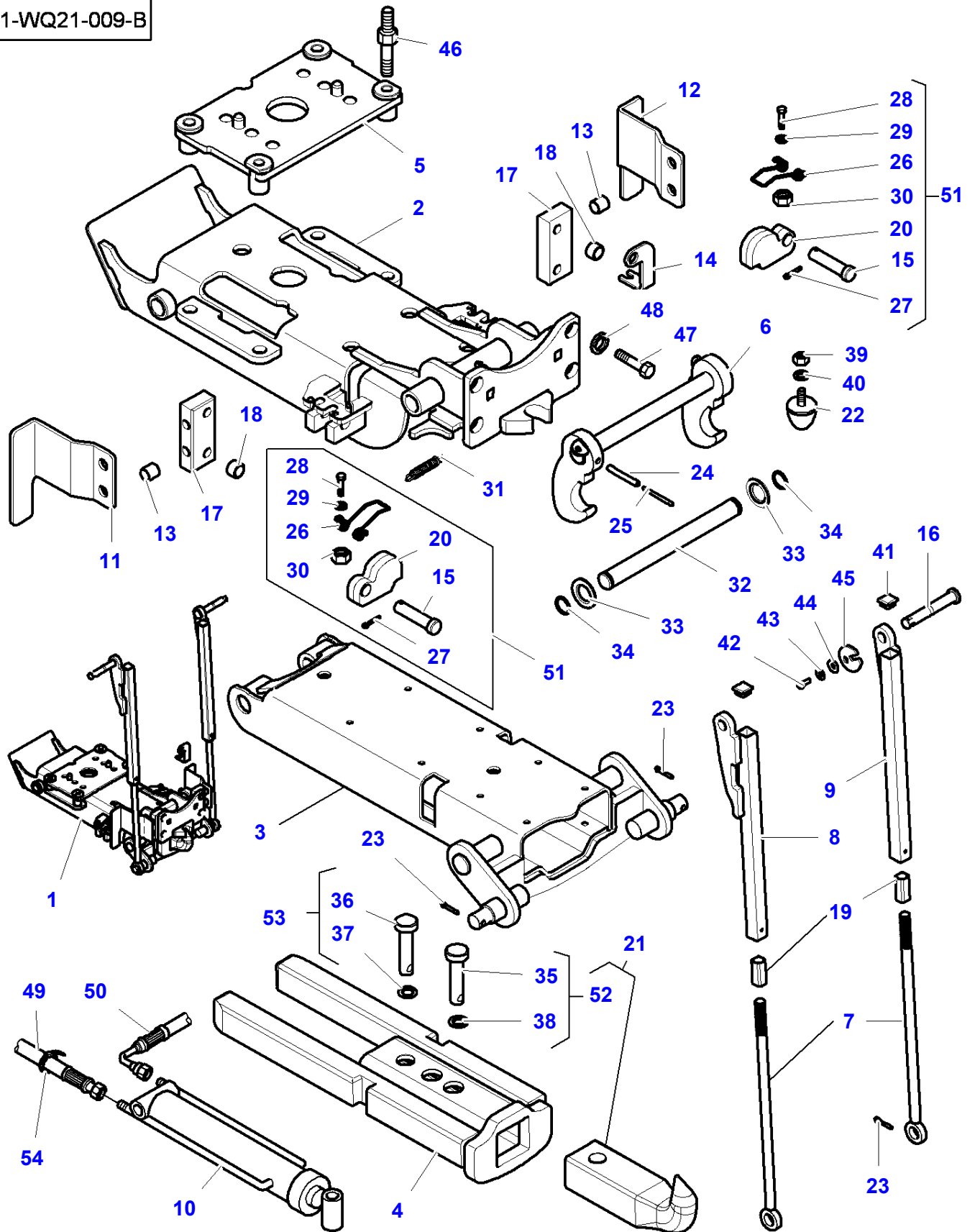


Massey Ferguson**MF 8470/8480 TRACTOR (TIER 3) - 3906071****3906071****Swinging Drawbar - SAE STANDARD****Page040-0095**

Item	Part Number	Qty	Description	Comments
1	G920.501.121.100	1	Tie Rod	
2	920.501.121.610	1	Coupler Head	(1)
3	1442668X1	1	Hex. Sock. Screw	(1) M20 X 80
4	1440319X1	1	Spring Washer	(1)
5	920.501.121.620	1	Stud	(1)
6	3009746X1	1	Nut	(1)
7	G920.501.121.020	1	Stirrup	(1)
8	1442739X1	2	Locknut	(7) M16
9	920.501.121.040	1	Strap	(7)
10	916.501.120.050	2	Pin	22 X 71
11	3009492X1	2	Cap Screw	M10 X 25
12	H916.501.120.110	1	Plug.	
13	G920.501.121.110	1	Pin	
14	339123X1	1	Bolt	(13) M8 X 75
15	920.500.120.520	1	Stirrup	(13)
16	394367X1	1	Locknut	(13)
17	3792034M1	2	Pin	10.5 MM
18	3581687M1	1	Pin	12 X 55

MF 8470/8480 TRACTOR (TIER 3) - 3906071
1-WQ21-009-B

1-WQ21-009-B

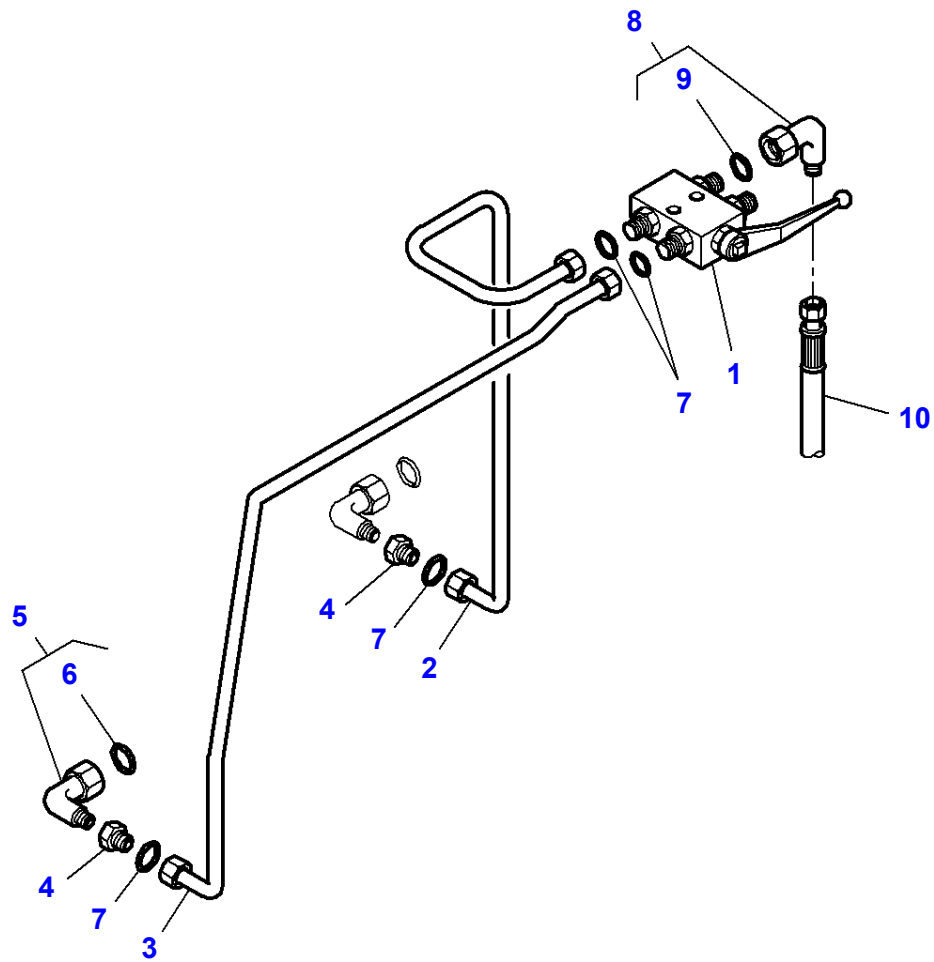


Automatic Hitch - With Remote Control

Item	Part Number	Qty	Description	Comments
1	4277063M93	1	Hook	
2		1	Frame	REF.No1
3	4277076M91	1	Housing	
4	4277079M91	1	Pedestal	
5	4277872M92	1	Support	
6	4277072M92	1	Hook	
7	4277085M91	2	Stem	
8	4277083M91	1	Slider Bearing	
9	4277089M91	1	Slider Bearing	
10	4273101M1	1	Ram	
11	4279943M1	1	Stop	
12	4279319M1	1	Stop	
13	4279937M1	4	Spacer	
14	4279938M2	1	Thruster	
15	3788498M1	2	Pin	(51)
16	4277087M1	2	Clevis Pin	
17	4279941M1	2	Bracket	
18	3907098M91	4	Kit, Spacer	
19	3792081M1	2	Nut	
20	3795809M1	2	Latch	(51)
21	3907048M91	1	Hook	
22	3907051M91	1	Buffer	
23	390721X1	2	Split Pin	8 X 40
24	1442857X1	1	Roll Pin	10 X 80
25	1444437X1	1	Pin	6 X 80
26	3788499M1	2	Spring	(51)
27	391018X1	2	Roll Pin	(51) 5 X 36
28	339337X1	4	Bolt	(51) M8 X 30
29	390972X1	8	Flat Washer	(51) 8-17 X 1,7
30	394367X1	4	Locknut	(51) M8
31	3795807M1	1	Spring	
32	3907093M91	1	Clevis Pin	
33	3794000M1	2	Thrust Washer	3788518M1
34	3795752M1	2	Ring	
35	3792650M1	1	Clevis Pin	(52)
36	3907047M91	1	Clevis Pin	(53)
37	352438X1	1	Circlip	(53)
38	1440477X1	1	Circlip	(52)
39	1440329X1	1	Locknut	M10
40	390734X1	1	Flat Washer	10-21 X 2
41	3789881M1	2	Plug	
42	3009493X1	2	Bolt	M10 X 30
43	926870030030	2	Bush	
44	390597X1	2	Flat Washer	10-30 X 2,5
45	926870030020	2	Locking Plate	
46	3011551X1	10	Screw	M20 X 50
47	3010894X1	4	Hex. Sock. Screw	M20 X 50
48	385365X1	4	Washer	20-37 X 5
49	4271961M1	1	Hydr. Hose	1450 MM
50	4279674M1	1	Hydr. Hose	1550 MM
51	3907044M91	2	Latch	
52	3907049M91	1	Clevis Pin	(21)
53	3907047M91	1	Clevis Pin	
54	4279273M1	2	Cable Tie	[A]

FOOTNOTE [A] RED

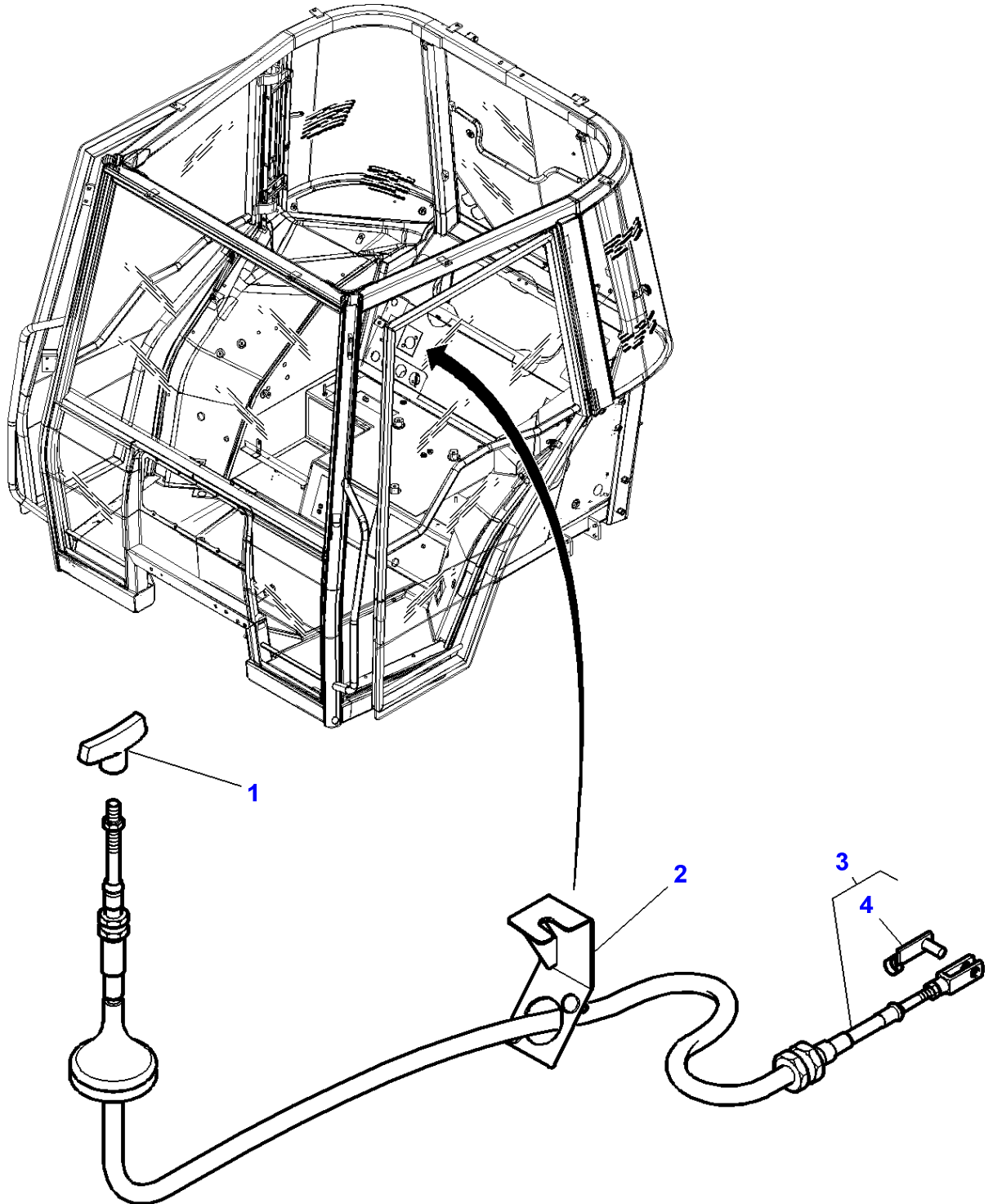
1-WQ22-007-C



Massey Ferguson**MF 8470/8480 TRACTOR (TIER 3) - 3906071****3906071****Autohitch - Dromone - Hydraulic Control****Page040-0105**

Item	Part Number	Qty	Description	Comments
1	3792875M92	1	Vane	
2	4278480M3	1	Tube	
3	4278479M3	1	Tube	
4	3011071X91	2	Union	
5	3011085X91	2	Union	
6	3011147X1	1	O Ring	(5)
7	3011806X1	4	Bush	
8	3011084X91	1	Union	
9	3011146X1	1	O Ring	(8)
10		1	Tube	040-0100/49

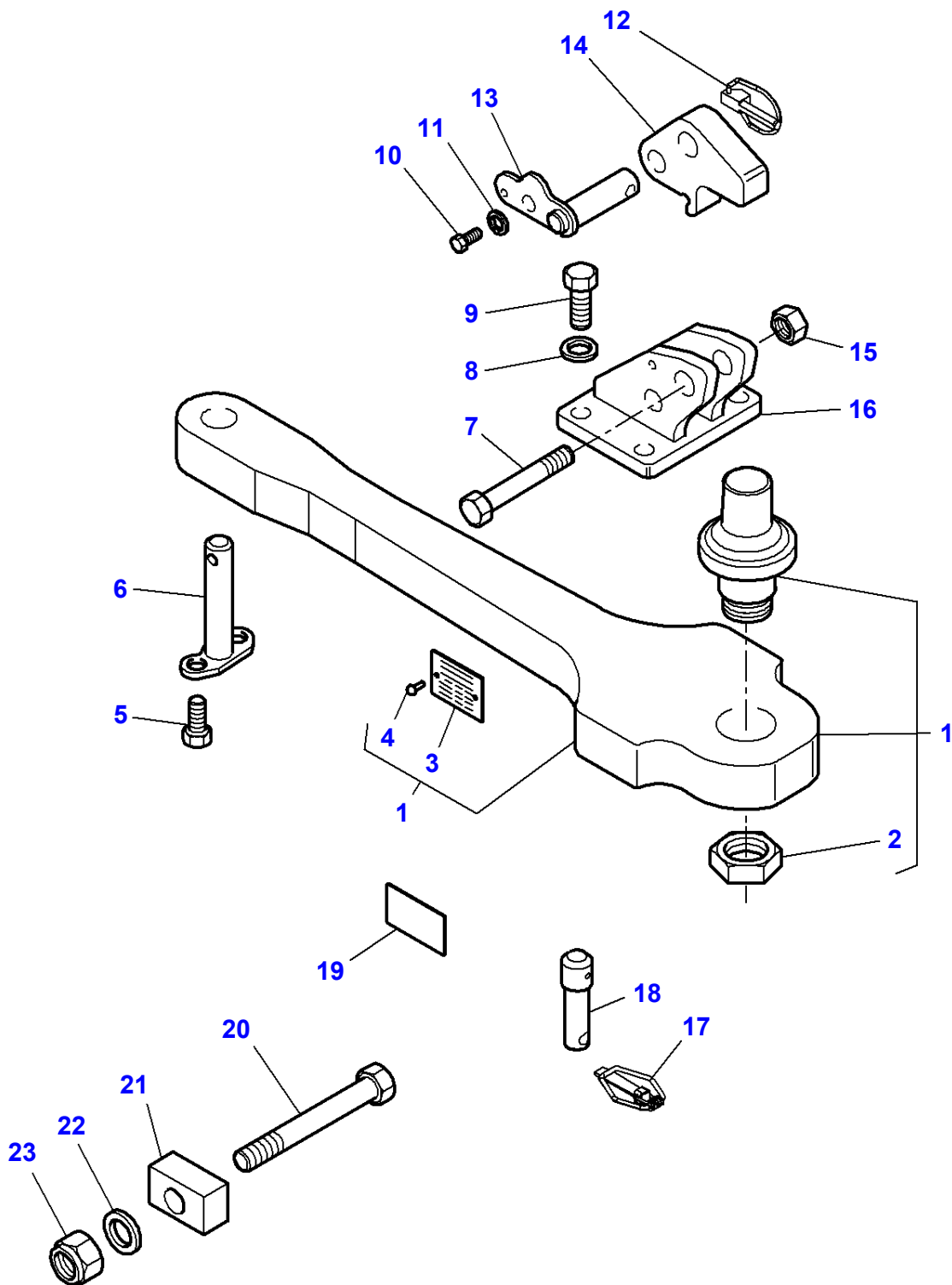
1-WQ21-005-B



Massey Ferguson**MF 8470/8480 TRACTOR (TIER 3) - 3906071****3906071****Automatic Hitch - With Remote Control****Page040-0110**

Item	Part Number	Qty	Description	Comments
1	4271479M1	1	Grip	
2	4270512M1	1	Support	
3	4271478M2	1	Cable	1800 MM
4	3600191M1	1	Clevis Pin	(3)

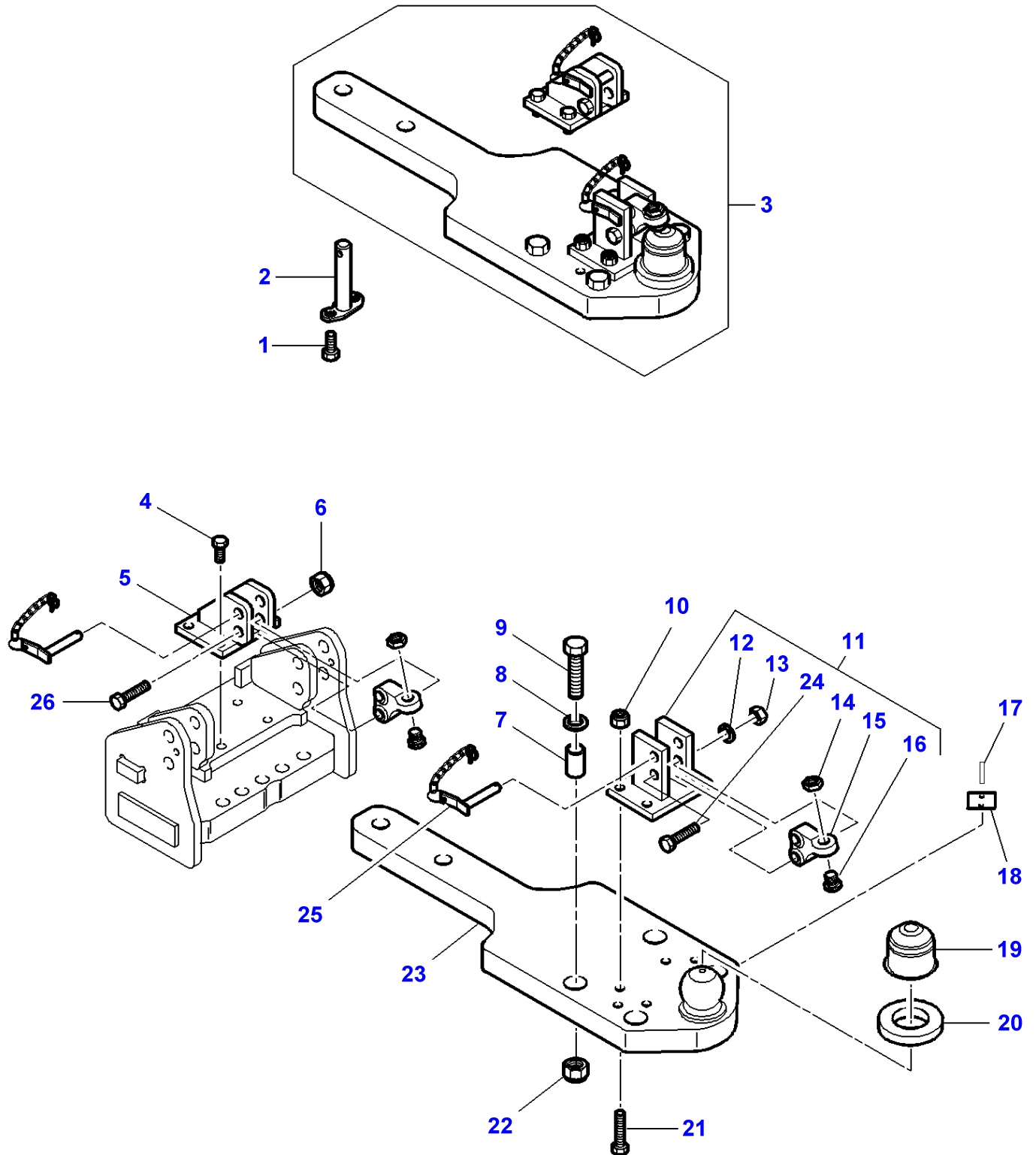
1-WQ25-001-B



Swinging Drawbar - Piton Attachment

Item	Part Number	Qty	Description	Comments
1	H716.501.900.101	1	Piton	
2	199.870.030.160	1	Nut	(1)
3	716.501.900.140	1	Identity Plate	(1)
4	X419.432.887.000	2	Nail, Notched	(1)
5	3009492X1	2	Cap Screw	M10 X 25
6	H916.501.120.110	1	Plug.	
7	391332X1	1	Hex. Sock. Screw	M20 X 100
8	339377X1	4	Spring Washer	
9	3008676X1	4	Hex. Sock. Screw	M16 X 35
10	3009285X1	1	Screw	M8 X 16
11	281.100.350.040	1	Bush	
12	3382826M1	1	Pin	
13	H916.501.120.061	1	Pin	
14	916.501.120.220	1	Latch	
15	3009747X1	1	Nut	
16	H916.501.120.070	1	Support	
17	3792034M1	2	Pin	
18	916.501.120.050	2	Pin	
19	916.501.120.070	2	Decal	
20	390190X1	1	Hex. Sock. Screw	M16 X 140
21	4290268M1	1	Spacer	
22	3019565X1	1	Flat Washer	16-44 X 3
23	1442739X1	1	Locknut	M16

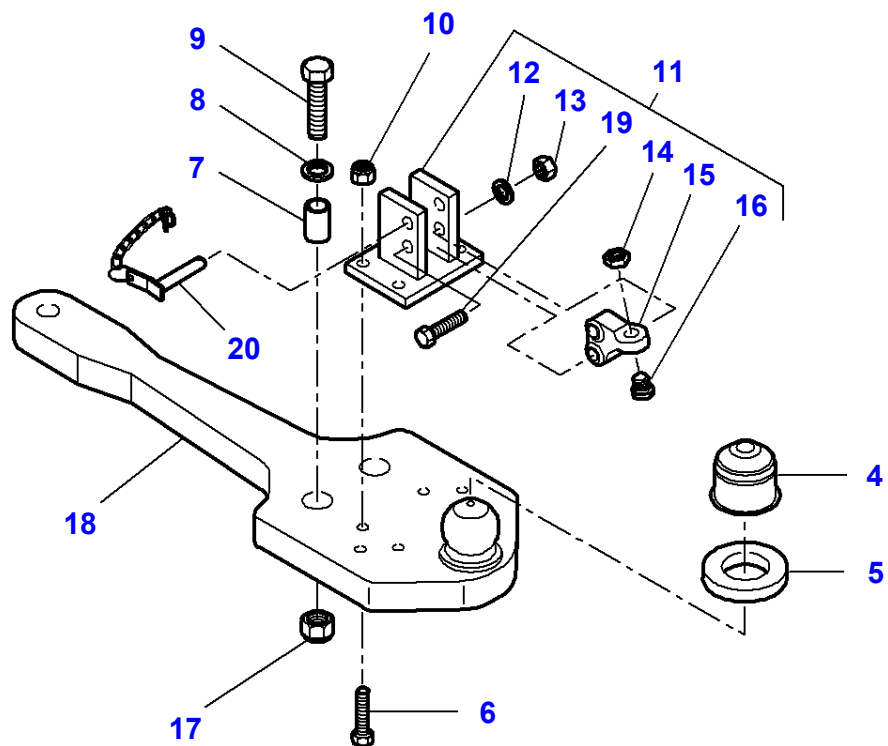
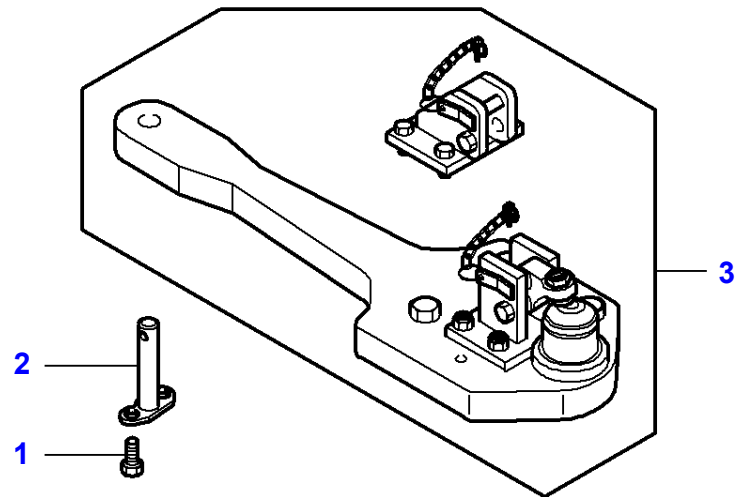
1-WQ26-001-A



Swinging Drawbar - Ball And Scket Hitch

Item	Part Number	Qty	Description	Comments
1	3009492X1	2	Cap Screw	M10 X 25
2	H916.501.120.110	1	Plug.	
3	G916.501.120.200	1	Support	
4	X487.545.141.000	4	Screw	(3)
5	F916.501.120.020	1	Console	(3)
6	X434.105.040.000	2	Nut	(3)
7	F718.501.900.020	2	Bush Assy	(3)
8	F117.501.901.040	2	Disc	(3)
9	F718.501.900.030	2	Screw	(3)
10	X430.004.000.000	4	Nut	(3)
11	F117.501.901.020	1	Control Lock	(3)
12	X520.807.801.000	1	Lock Washer	(11)
13	F916.501.120.080	1	Nut	(11)
14	F916.501.120.060	1	Nut	(11)
15	F916.501.120.050	1	Trigger	(11)
16	F916.501.120.070	1	Adjusting Screw	(11)
17	X419.432.987.000	2	Nail, Notched	(3)
18	F916.501.120.040	1	Identity Plate	(3)
19	F117.501.901.050	1	Cap	(3)
20	F117.501.901.060	1	Seal	(3)
21	X486.546.505.000	4	Screw	(3)
22	X430.005.803.000	2	Nut	(3)
23	F916.501.120.010	1	Frame	(3)
24	X486.556.000.000	1	Screw	(3)
25	F916.501.120.090	1	Pin	(3)
				F916501120030
26	X486.555.905.000	1	Screw	(3)

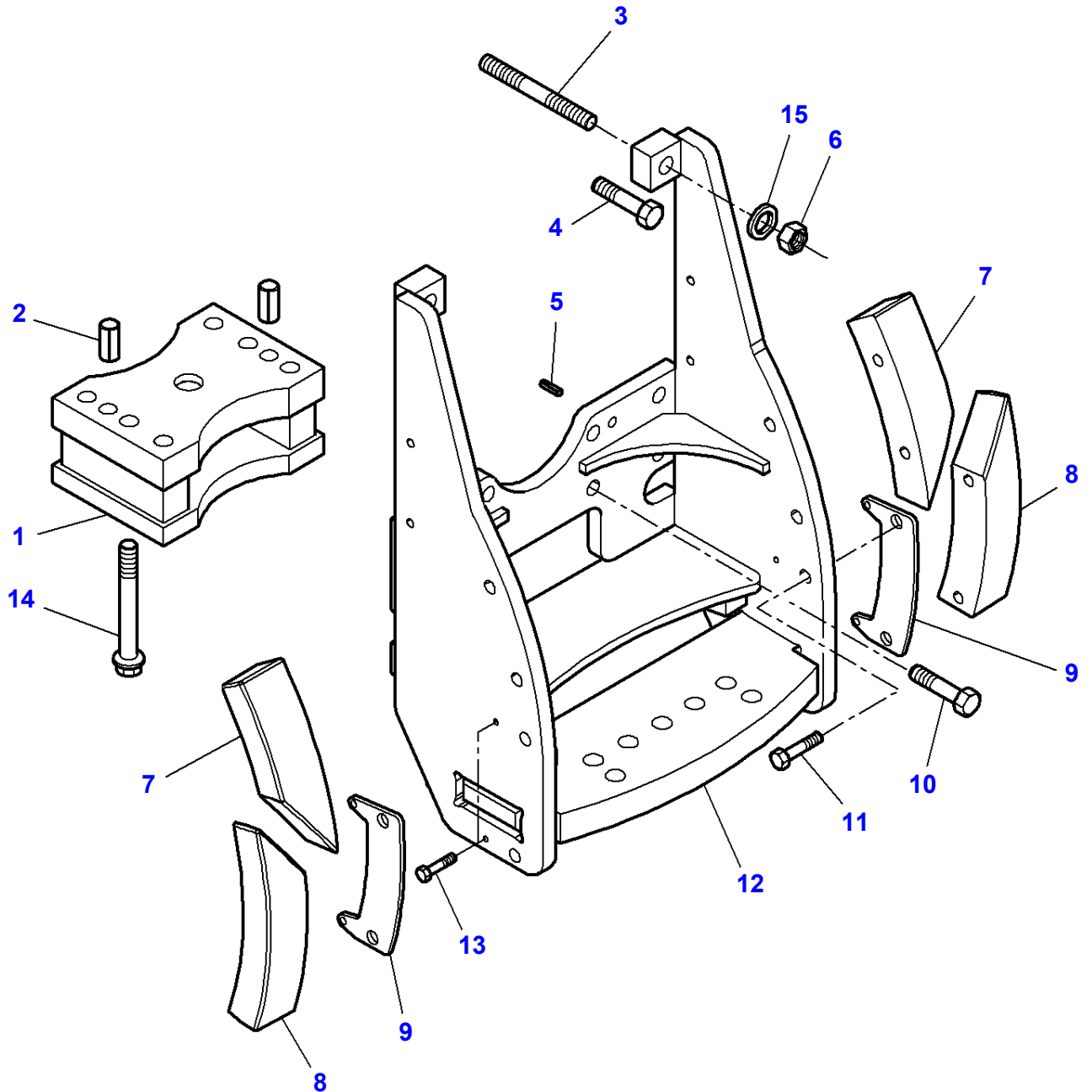
1-WQ26-002-A



Swinging Drawbar - Ball And Socket Hitch

Item	Part Number	Qty	Description	Comments
1	3009492X1	2	Cap Screw	M10 X 25
2	H916.501.120.110	1	Plug	
3	G718.501.900.010	1	Support	
4	F117.501.901.050	1	Cap	(3)
5	F117.501.901.060	1	Seal	(3)
6	X486.546.505.000	4	Screw	(3)
7	F718.501.900.020	2	Bush Assy	(3)
8	F117.501.901.040	2	Disc	(3)
9	F718.501.900.030	2	Screw	(3)
10	X430.004.000.000	4	Nut	(3)
11	F117.501.901.020	1	Control Lock	(3)
12	X520.807.801.000	1	Lock Washer	(11)
13	F916.501.120.080	1	Nut	(11)
14	F916.501.120.060	1	Nut	(11)
15	F916.501.120.050	1	Trigger	(11)
16	F916.501.120.070	1	Adjusting Screw	(11)
17	X430.005.803.000	2	Nut	(3)
18		1	Frame	(3)
				REF No 3
19	X486.556.000.000	1	Screw	(3)
20	F916.501.120.090	1	Pin	(3)
				F916501120030

1-WQ36-030-B



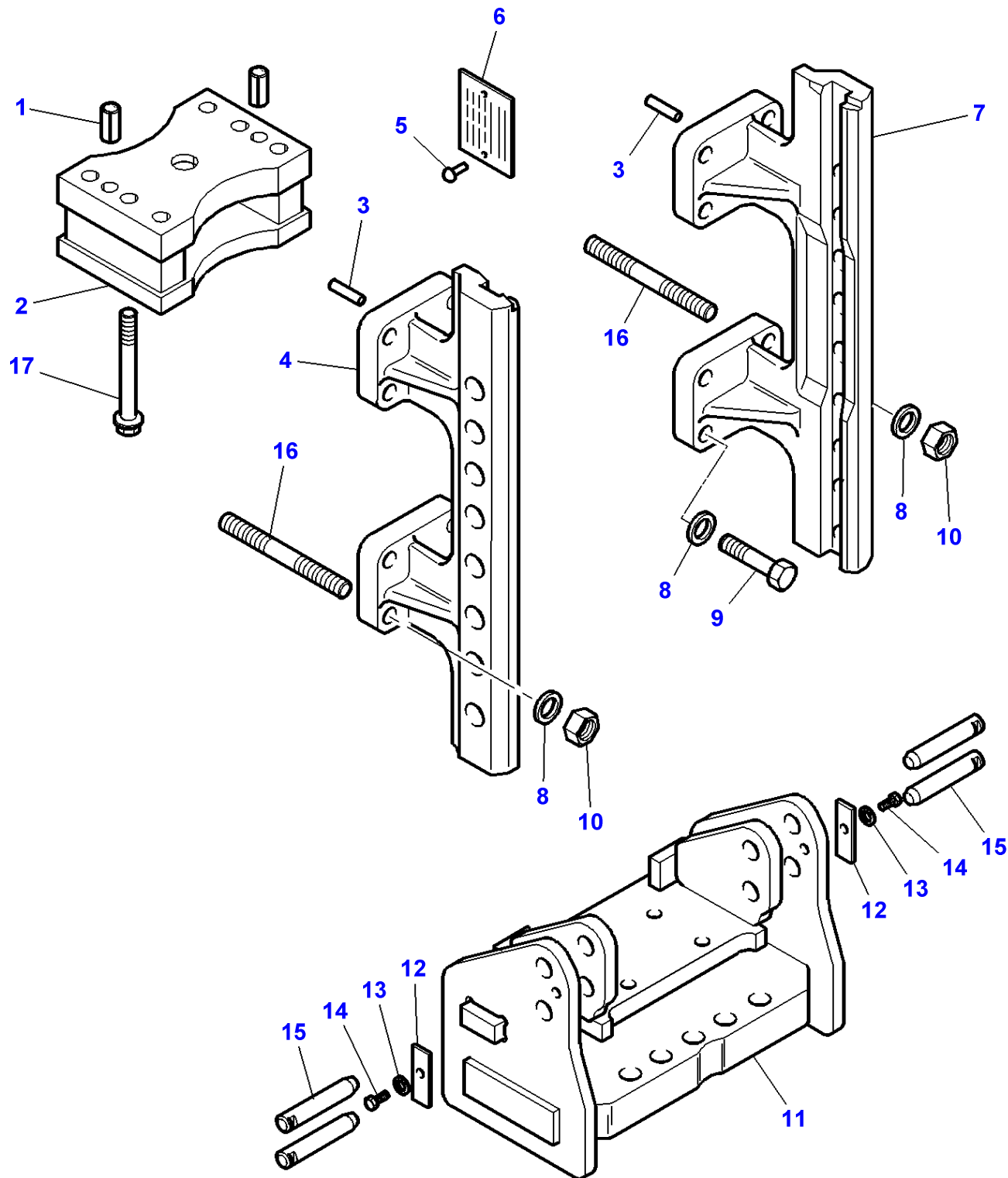
Swinging Drawbar Support

Item	Part Number	Qty	Description	Comments
1	H920.500.120.100	1	Fulcrum	R151071
	H920.501.121.130	1	Fulcrum	R151072
2	X505.585.617.000	2	Dowel	
3	3011546X1	6	Stud	M18 X 135
4	3011545X1	2	Hex. Sock. Screw	M18 X 110
5	X505.559.459.000	2	Dowel	R151071
6	3011390X1	6	Nut	
7	922.870.040.021	1	Skid	
	922.870.040.011	1	Skid	
8	922.870.040.041	1	Skid	
	922.870.040.031	1	Skid	
9	926.871.040.060	2	Plate	S088065
10	3011538X1	4	Hex. Sock. Screw	M18 X 50
11	3384131M1	4	Bolt	M16 X 55
	3010885X1	4	Hex. Sock. Screw	M16 X 45
12	H920.501.120.110	1	Frame	R151071
	H920.501.121.140	1	Frame	R151072
13	339337X1	4	Bolt	M8 X 30
14	3011194X1	6	Screw	M20 X 150
				R151071
	3010435X1	6	Hex. Sock. Screw	M20 X 165
				R151072
				S088065
	3011970X1	6	Screw	M20 X 160
				S088066
15	3010793X1	6	Washer	S045019

Massey Ferguson**MF 8470/8480 TRACTOR (TIER 3) - 3906071****3906071****Swinging Drawbar Support****Page040-0135**

Item	Part Number	Qty	Description	Comments
1	3011546X1	8	Stud	M18 X 135
2	X505.559.459.000	4	Dowel	
3	816.500.060.041	1	Slide Rail	
4	385365X1	6	Washer	
5	X505.585.617.000	2	Dowel	
6	4271570M92	1	Support	
7	3797361M1	2	Clevis Pin	
8	3797125M1	1	Hook	
9	3382824M1	2	Pin	
10	816.500.060.051	1	Slide Rail	
11	3010505X1	8	Washer	
12	3580796M1	4	Hex. Sock. Screw	M22 X 100
13	339648X1	16	Spring Washer	
14	3011390X1	8	Nut	
15	3011517X1	8	Hex. Sock. Screw	M18 X 55
16	4271601M1	2	Thruster	
17	3581642M1	4	Nut	
18	3010563X1	6	Screw	M20 X 90
19	816.500.060.090	1	Identity Plate	
20	X419.432.887.000	2	Nail, Notched	

1-WQ36-027-A

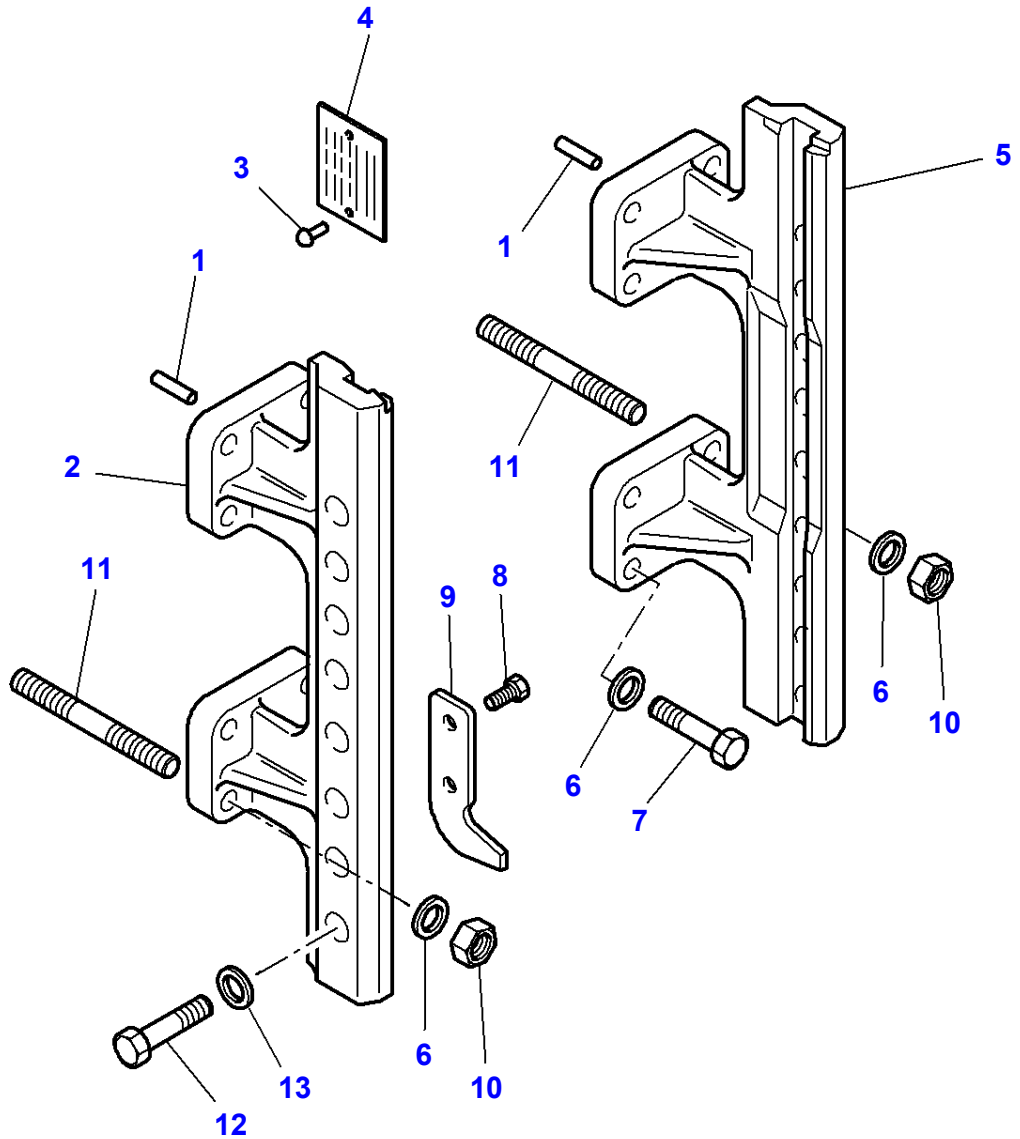


Massey Ferguson**MF 8470/8480 TRACTOR (TIER 3) - 3906071****3906071****Swinging Drawbar Support - WITH LONG HAY LADDER****Page040-0140**

Item	Part Number	Qty	Description	Comments
1	X505.585.617.000	2	Dowel	
2	H920.500.120.100	1	Fulcrum	
3	X505.559.459.000	4	Dowel	
4	816.500.060.012	1	Slide Rail	
5	X419.432.887.000	2	Nail, Notched	
6	816.500.060.090	1	Identity Plate	
7	816.500.060.022	1	Slide Rail	
8		X	Washer	[A]
9	3011517X1	8	Hex. Sock. Screw	M18 X 55
10	3011390X1	8	Nut	
11	H916.501.120.102	1	Frame	
12	716.501.120.200	2	Locking Plate	
13	339374X1	2	Spring Washer	
14	339123X1	2	Bolt	M8 X 20
15	916.501.120.030	2	Pin	
16	3011546X1	8	Stud	M18 X 135
17	3011194X1	6	Screw	M20 X 150

FOOTNOTE [A] NOT USED

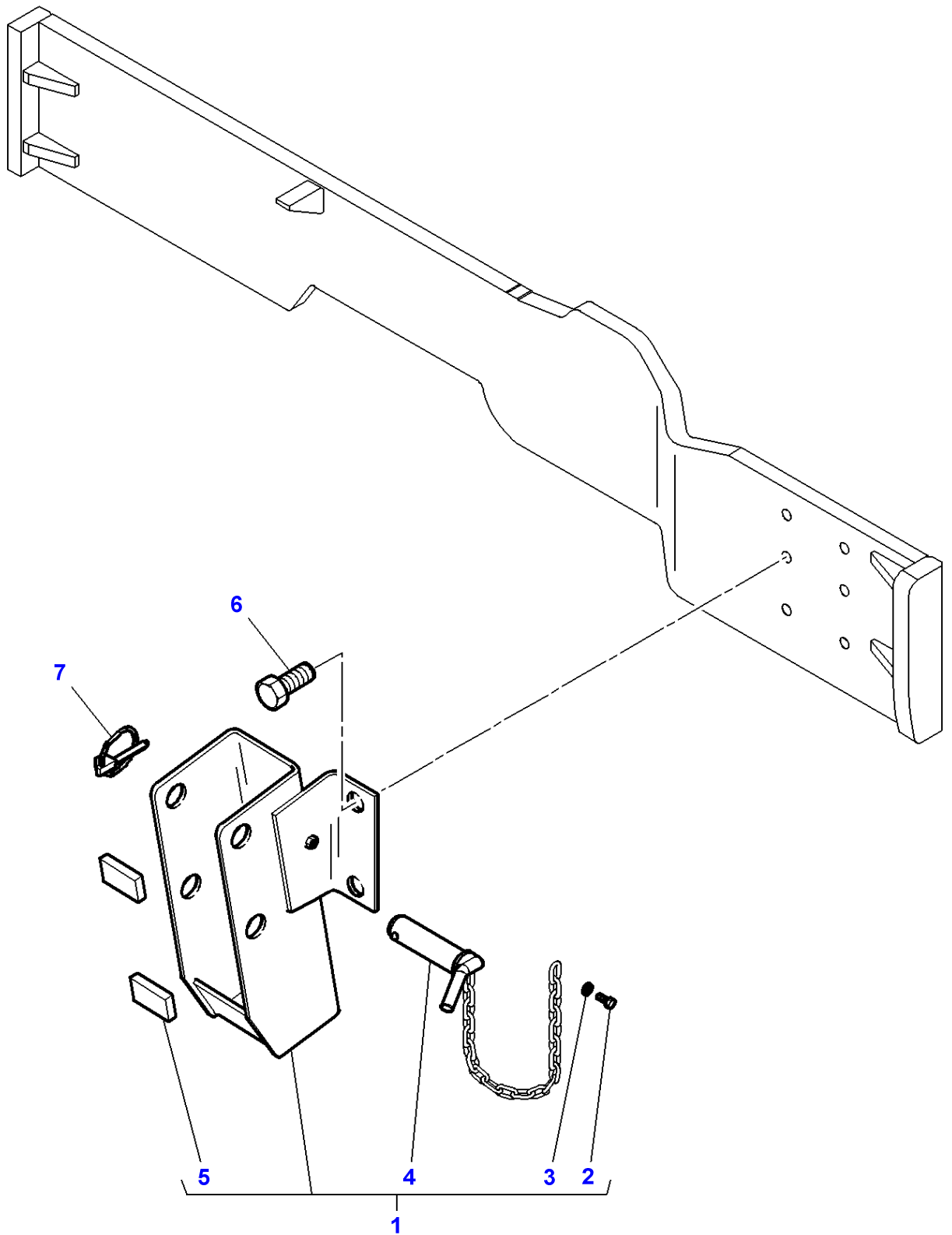
1-WQ30-001-B



Massey Ferguson**MF 8470/8480 TRACTOR (TIER 3) - 3906071****3906071****Long Hay Ladder****Page040-0145**

Item	Part Number	Qty	Description	Comments
1	X505.559.459.000	2	Dowel	
2	816.500.060.012	1	Slide Rail	
3	X419.432.887.000	2	Nail, Notched	
4	816.500.060.090	1	Identity Plate	
5	816.500.060.022	1	Slide Rail	
6			Not Used	
7	3011517X1	8	Hex. Sock. Screw	M18 X 55
8	3009491X1	2	Bolt	M10 X 20
9	816.500.060.070	1	Stop	
10	3011390X1	8	Nut	
11	3011546X1	8	Stud	M18 X 135
12	3010757X1	4	Hex. Sock. Screw	M22 X 70
13	392913X1	4	Washer	23-39 X 3

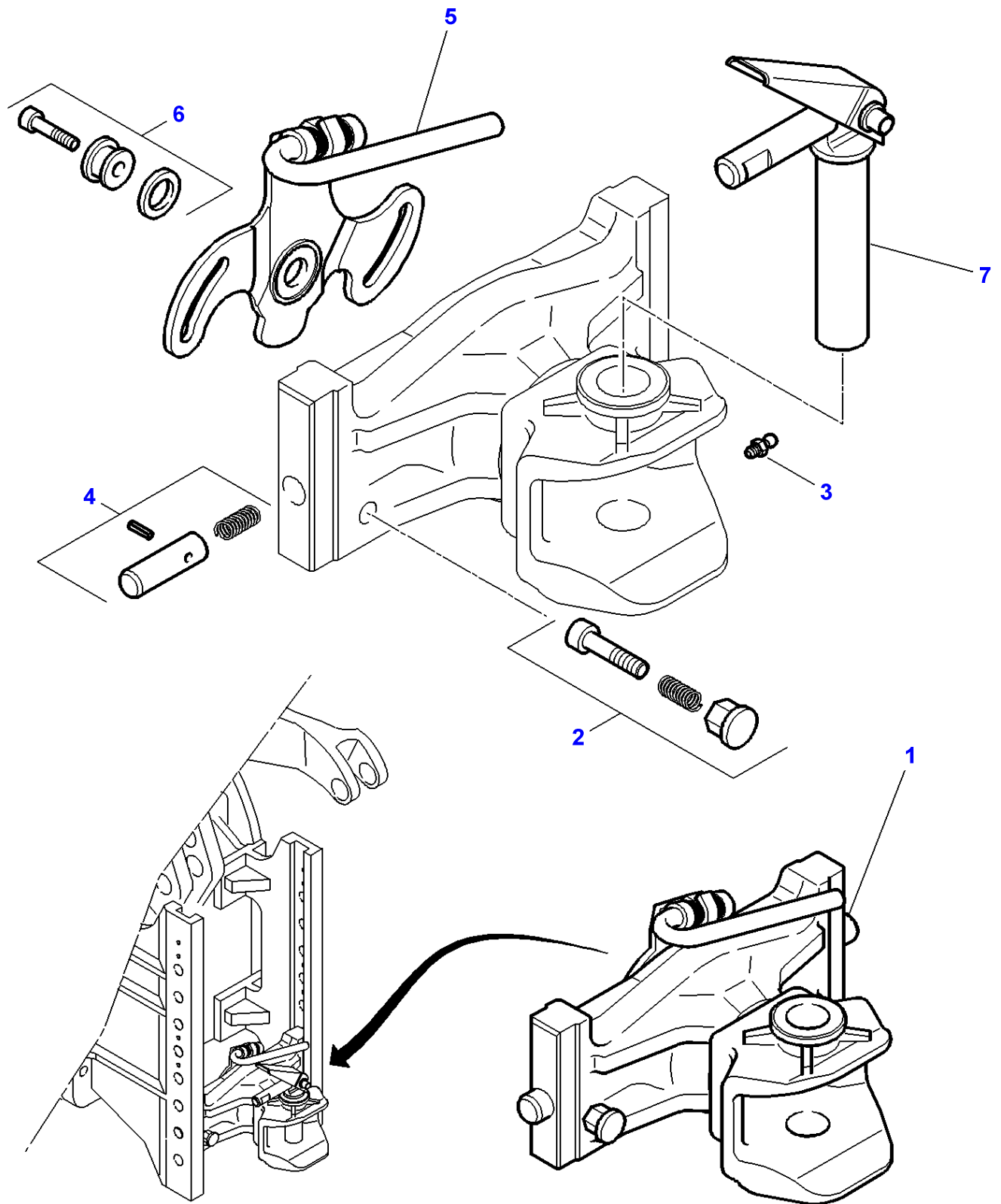
1-WQ13-009-A



Massey Ferguson**MF 8470/8480 TRACTOR (TIER 3) - 3906071****3906071****Swinging Drawbar Tidying - With DROMONE Automatic Hook****Page040-0150**

Item	Part Number	Qty	Description	Comments
1	4273764M91	1	Stuffing Box	
2	339560X1	1	Bolt	(1) M6 X 16
3	390971X1	1	Flat Washer	(1)
4	3788588M91	1	Clevis Pin	(1)
5	3782881M1	2	Gasket	(1)
6	1441704X1	2	Hex. Sock. Screw	M20 X 40
7	3382824M1	1	Pin	

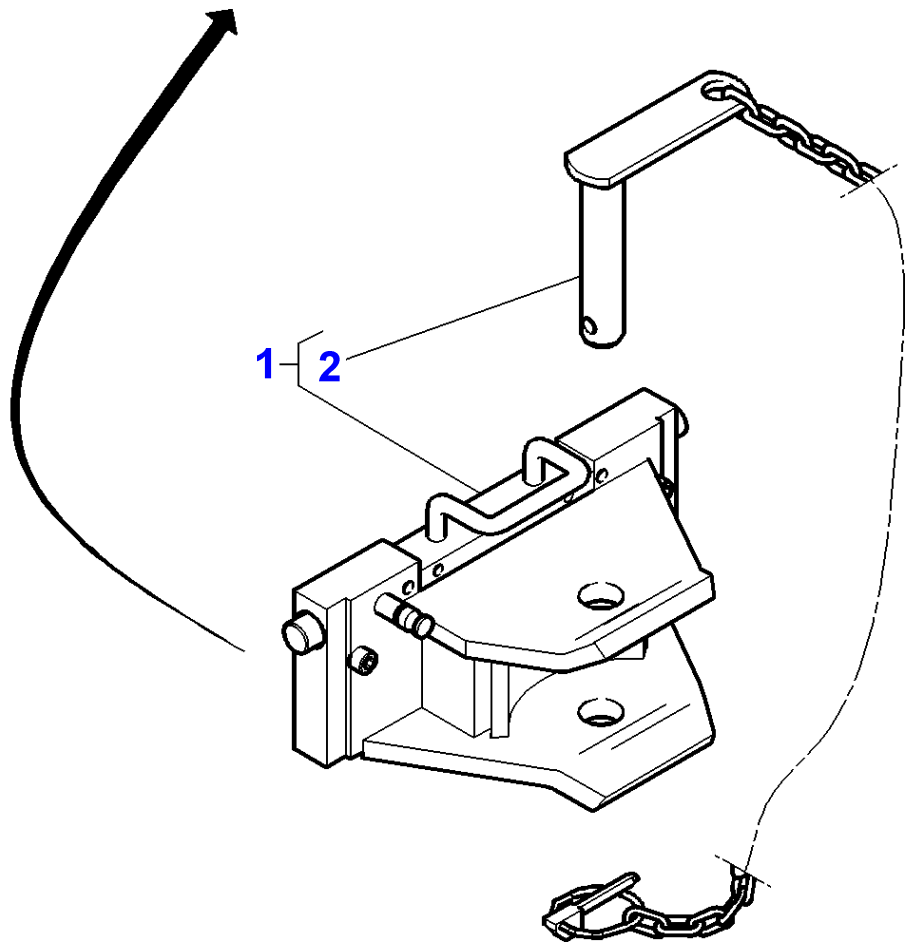
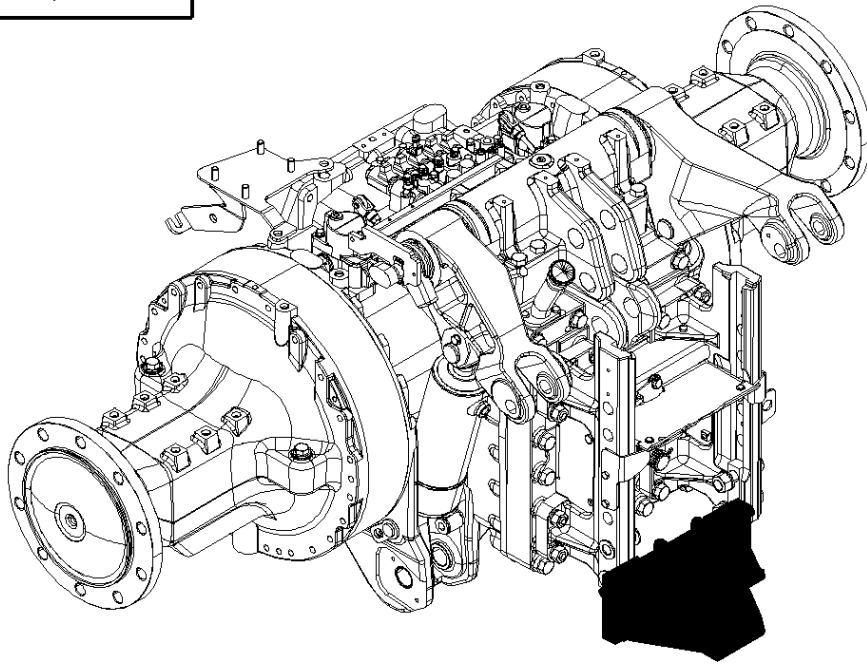
1-WQ18-021-B



Massey Ferguson**MF 8470/8480 TRACTOR (TIER 3) - 3906071****3906071****Hitch****Page040-0155**

Item	Part Number	Qty	Description	Comments
1	G816.500.071.012	1	Hitch	
2	F816.500.070.120	1	Securing Piece	(1)
3	X662.516.102.000	1	Grease Nipple	(1)
4	F816.500.070.140	1	Pin	(1)
5	F816.500.070.130	1	Disc	(1)
6	F816.500.070.150	1	Kit, Attaching.	(1)
7	4271199M1	1	Clevis Pin	

1-WQ18-022-A

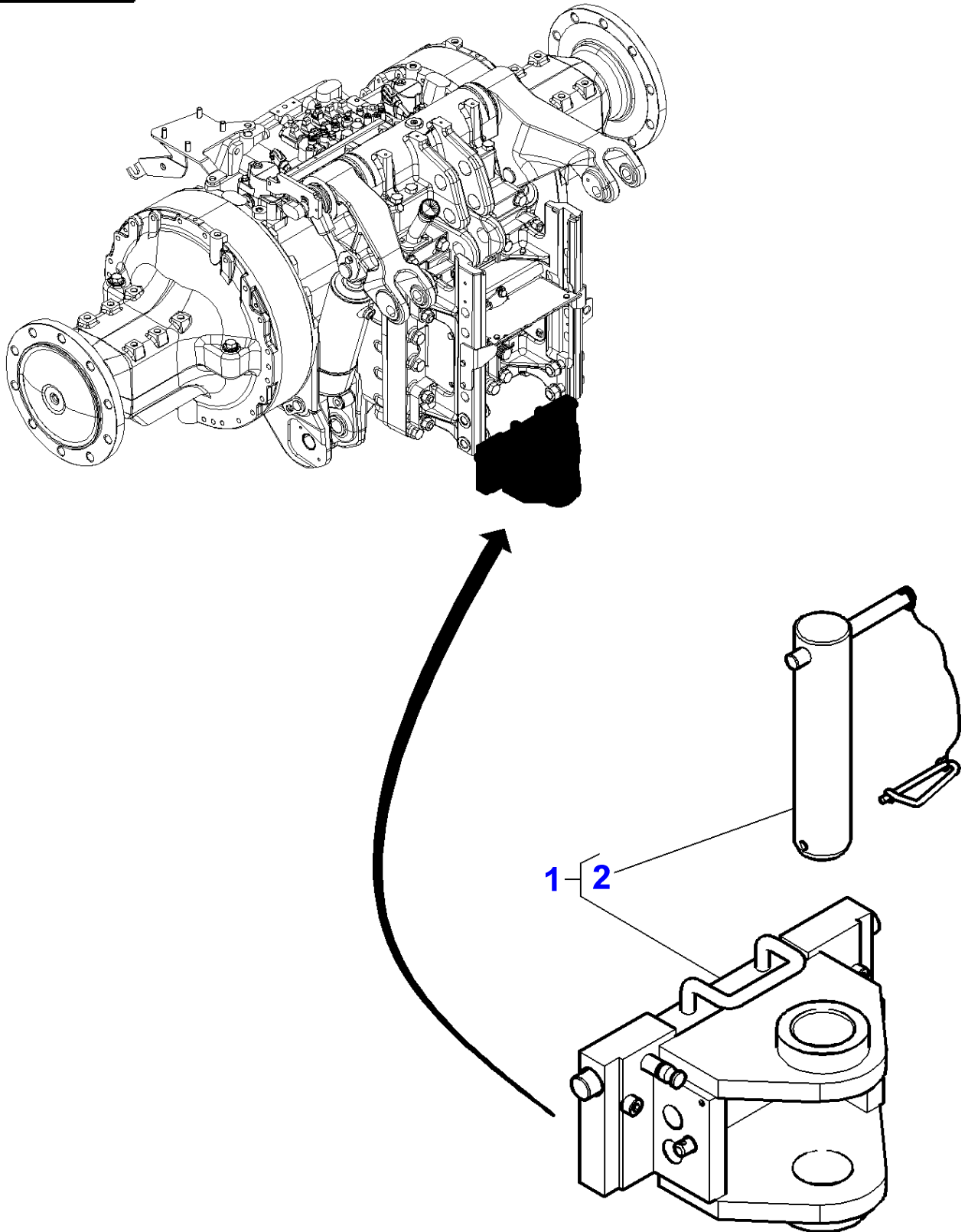


Massey Ferguson**MF 8470/8480 TRACTOR (TIER 3) - 3906071****3906071****Hitch****Page040-0160**

Item	Part Number	Qty	Description	Comments
1	4276935M91	1	Clevis	[A] 6T
2	4276937M1	1	Pin Hitch	(1)

FOOTNOTE [A] DETAILS TO BE ADVISED

1-WQ18-023-A



Massey Ferguson

MF 8470/8480 TRACTOR (TIER 3) - 3906071

3906071

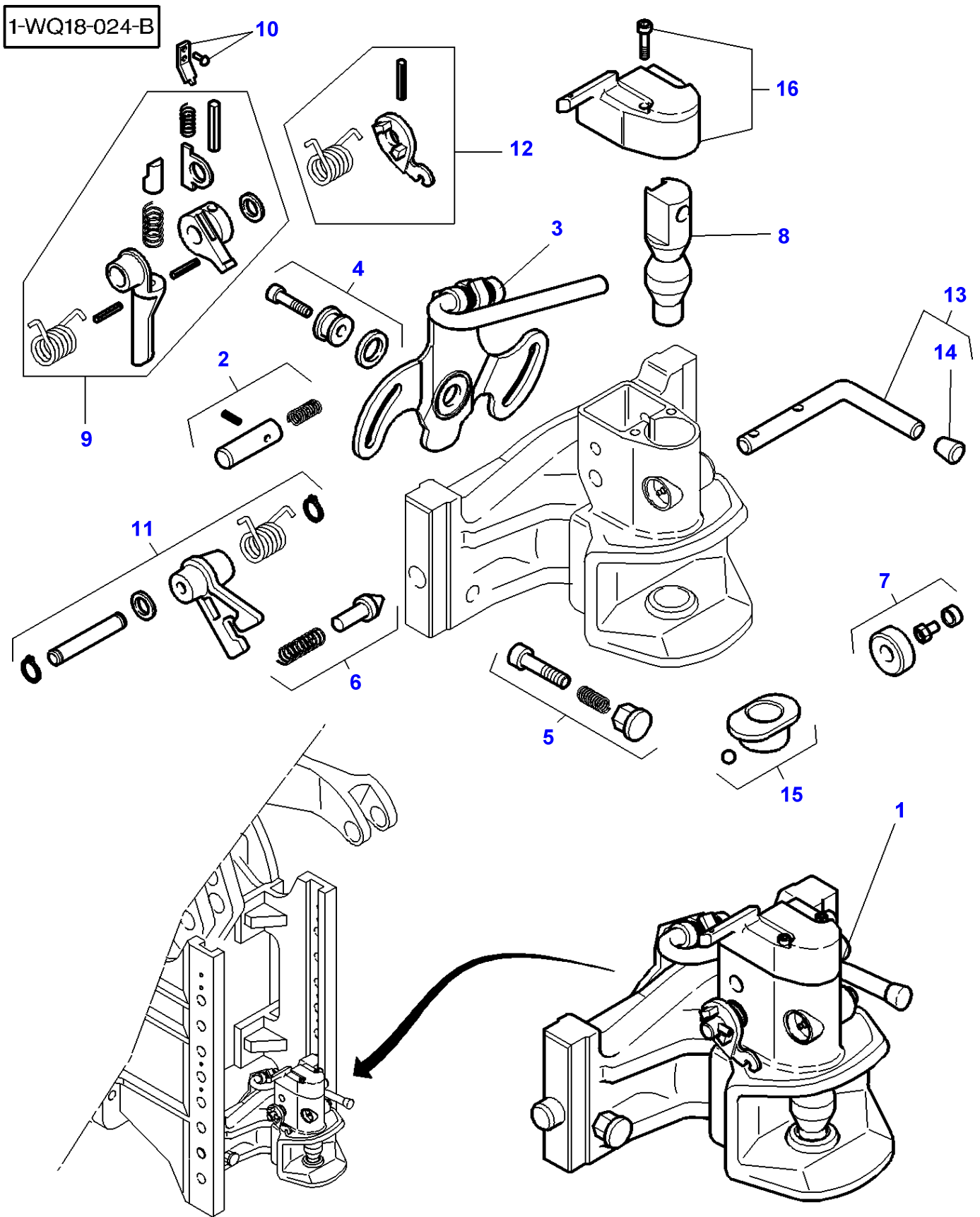
Hitch

Page040-0165

Item	Part Number	Qty	Description	Comments
1	4276938M91	1	Clevis	[A] 20T
2	4276940M1	1	Pin Hitch	(1)

FOOTNOTE [A] DETAILS TO BE ADVISED

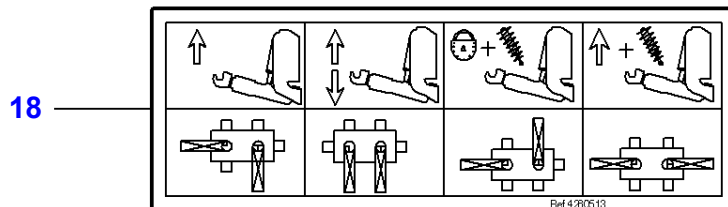
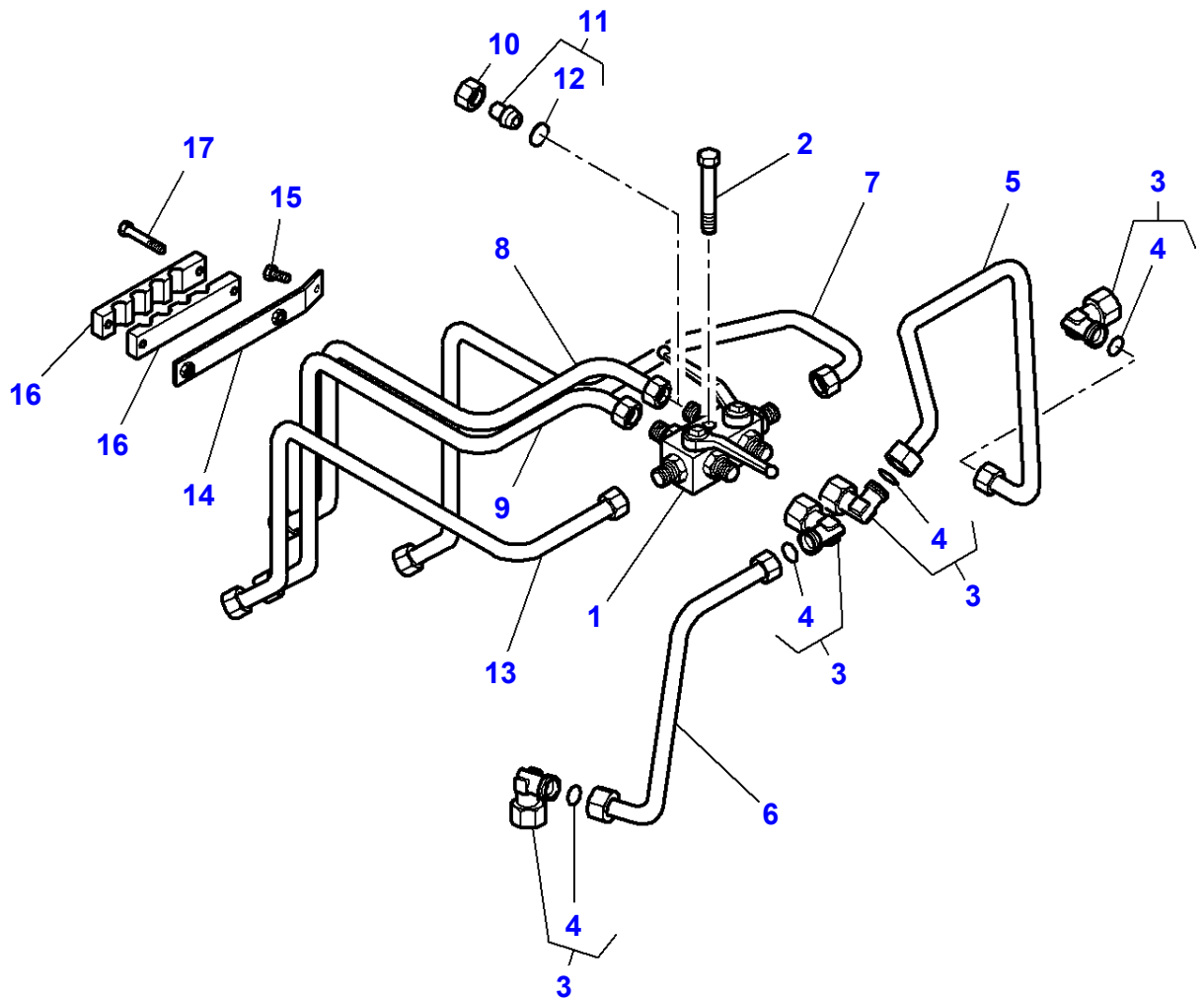
MF 8470/8480 TRACTOR (TIER 3) - 3906071
1-WQ18-024-B



Hitch

Item	Part Number	Qty	Description	Comments
1	G816.500.072.040	1	Hitch	
2	F816.500.070.140	1	Pin	(1)
3	F816.500.070.130	1	Disc	(1)
4	F816.500.070.150	1	Kit, Attaching.	(1)
5	F816.500.070.120	1	Securing Piece	(1)
6	F816.500.070.180	1	Peg	(1)
7	F816.500.070.020	1	Cover	(1)
8	F816.500.070.160	1	Pin Hitch	(1)
9	F816.500.070.030	1	Lever	(1)
10	F816.500.070.100	1	Spring Carrier	(1)
11	F816.500.070.170	1	Lever	(1)
12	F816.500.070.040	1	Lever	(1)
13	F816.500.070.070	1	Hand Lever	(1)
14	F284.501.061.110	1	Handle	(13)
15	F816.500.070.190	1	Bush	(1)
16	F816.500.070.060	1	Cover	(1)

1-WQ39-018-C

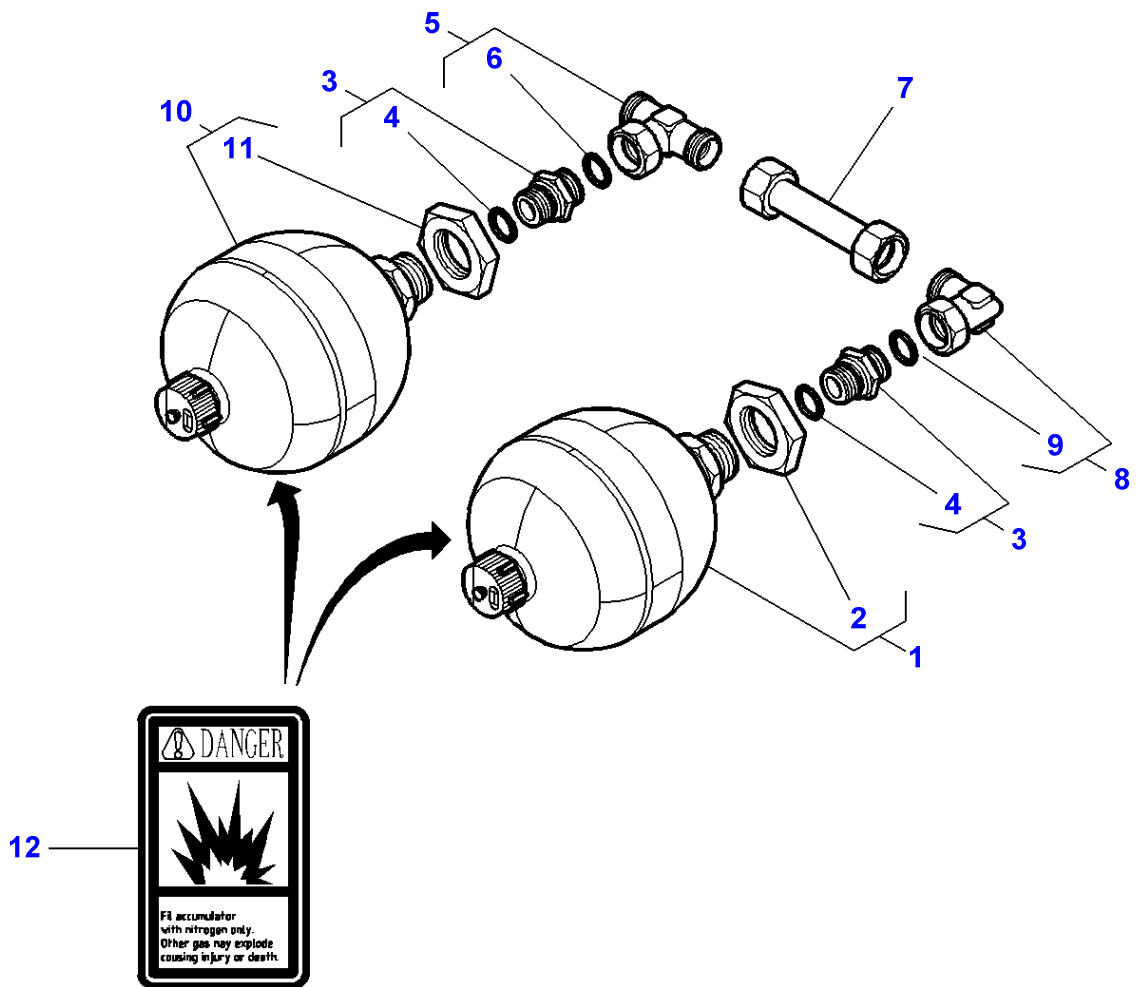


Massey Ferguson**MF 8470/8480 TRACTOR (TIER 3) - 3906071****3906071****Page040-0175****Front Linkage - Hydraulic**

Item	Part Number	Qty	Description	Comments
1	4275566M1	1	Vane	
2	1441967X1	2	Screw Metric	M6 X 45
3	3011085X91	4	Union	M22
4	3011147X1	1	O Ring	(3)
5	4278478M2	1	Tube	
6	4276168M2	1	Tube	
7	4277427M2	1	Tube	
8	4278477M2	1	Tube	[A]
9	4278476M2	1	Tube	
10	3011119X1	1	Nut	[B]
11	3011136X91	1	Tap	[B]
12	3011147X1	1	O Ring	[B] (11)
13	4277426M2	1	Tube	
14	4278481M1	1	Support	
15	339228X1	1	Hex. Sock. Screw	M8 X 12
16	4275693M2	2	Bridle	
17	339229X1	2	Bolt	M6 X 40
18	4280513M1	1	Decal	

FOOTNOTE [A] WITH ACCUMULATOR**FOOTNOTE [B] WITHOUT ACCUMULATOR**

1-WQ39-019-A



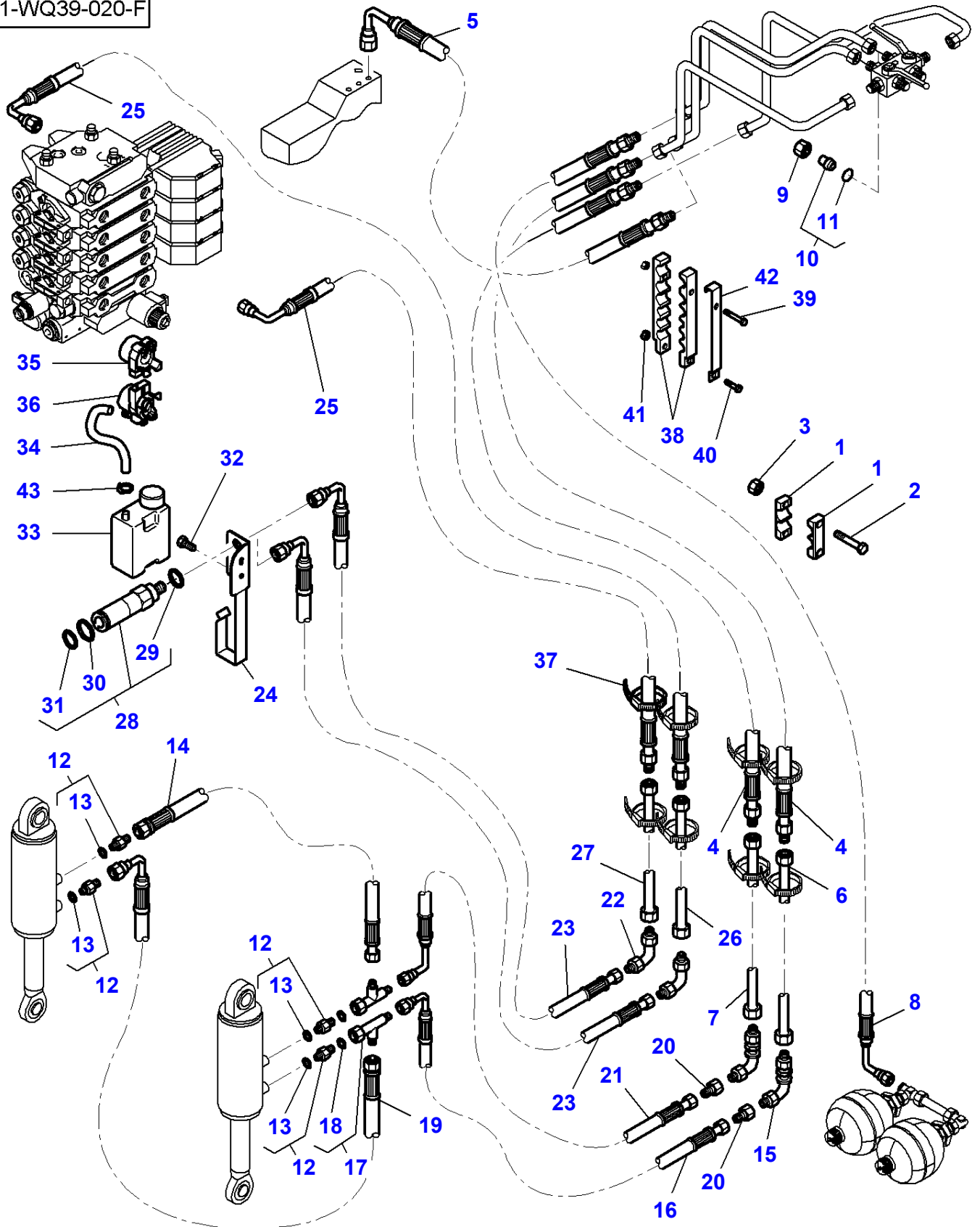
Massey Ferguson**MF 8470/8480 TRACTOR (TIER 3) - 3906071****3906071****Front Linkage - Hydraulic - Accumulator****Page040-0180**

Item	Part Number	Qty	Description	Comments
1	4276645M1	1	Accumulator	[A] 44 Bars
2	3907430M1	1	Nut	(1)
3	3011548X91	2	Union	
4	3011154X1	1	Gasket	(3)
5	3011093X91	1	Union	M22
6	3011147X1	1	O Ring	(5)
7	4277428M3	1	Tube	
8	3011085X91	1	Union	
9	3011147X1	1	O Ring	(8)
10	4278484M1	1	Accumulator	[A] 17 Bars
11	3907430M1	1	Nut	(10)
12	3777021M3	1	Decal	

FOOTNOTE [A] THE APPROPRIATE SAFETY DECALS MUST BE ORDERED AND FITTED TO THIS PART

MF 8470/8480 TRACTOR (TIER 3) - 3906071
1-WQ39-020-F

1-WQ39-020-F



Massey Ferguson

MF 8470/8480 TRACTOR (TIER 3) - 3906071

3906071

Front Linkage - Hydraulic - With Front Linkage 35000N

Page 040-0185

Item	Part Number	Qty	Description	Comments
1	3786069M1	2	Bridle	R321048
2	339229X1	2	Bolt	M6 X 40 R321048
3	1441500X1	2	Top Locknut	M6 R321048
4	4276161M2	2	Hydr. Hose	1450 MM
5	4278482M2	1	Hydr. Hose	1430 MM
6	4276747M4	1	Tube	
7	4276746M4	1	Tube	
8	4278475M3	1	Hydr. Hose	[A] 1090 MM
9	3011119X1	1	Nut	[B]
10	3011136X91	1	Tap	[B]
11	3011147X1	1	O Ring	[B] (10)
12	3011223X91	4	Union	
13	338923X1	1	Gasket	(23)
14	4278098M1	1	Hydr. Hose	640 MM
15	3011065X1	2	Union	
16	4278100M1	1	Hydr. Hose	480 MM
17	3011289X91	2	T-Piece	
18	3011146X1	1	O Ring	(17)
19	4278099M1	1	Hydr. Hose	400 MM
20	3011071X91	2	Union	
21	4278101M1	1	Hydr. Hose	520 MM
22	3011065X1	2	Union	[C]
23	4278096M1	2	Hydr. Hose	[C] 580 MM
24	4278318M2	1	Strap	[C]
25	4276160M2	2	Hydr. Hose	[C] 1700 MM R321048
	4276160M2	1	Hydr. Hose	[C,I] 1700 MM R321049
	4286540M1	1	Hydr. Hose	[C,I] 1650 MM R321049
26	4276749M4	1	Tube	[C]
27	4276748M4	1	Tube	[C]
28	3785907M2	2	Female Coupler	[C]
29	3903520M1	1	Gasket	[C] (28)
30	3903512M2	1	Snapping	[C] (28)
31	368374X1	1	O Ring	[C] (28)
32	339761X1	2	Bolt	[C] M8 X 25
33	4284633M1	1	Can	[C]
34	4279254M1	1	Hydr. Hose	[C] 100 MM
35	4278347M1	1	Breather	[C]
36	4278348M1	1	Breather	[C]
37	4279271M1	2	Cable Tie	[E]
	4279273M1	2	Cable Tie	[F]
	4279275M1	2	Cable Tie	[G]
	4279276M1	2	Cable Tie	[H]
38	4286708M1	2	Bridle	[I] R321049
39	391244X1	1	Hex. Sock. Screw	[I] M6 X 45 R321049
40	339262X1	1	Bolt	[I] M6 X 30 R321049
41	339030X1	2	Nut	[I] M6 R321049
42	4291285M1	1	Reinforcement	JUN-2007
43	3712465M1	1	Hose Clip	

Massey Ferguson

MF 8470/8480 TRACTOR (TIER 3) - 3906071

3906071

Front Linkage - Hydraulic - With Front Linkage 35000N

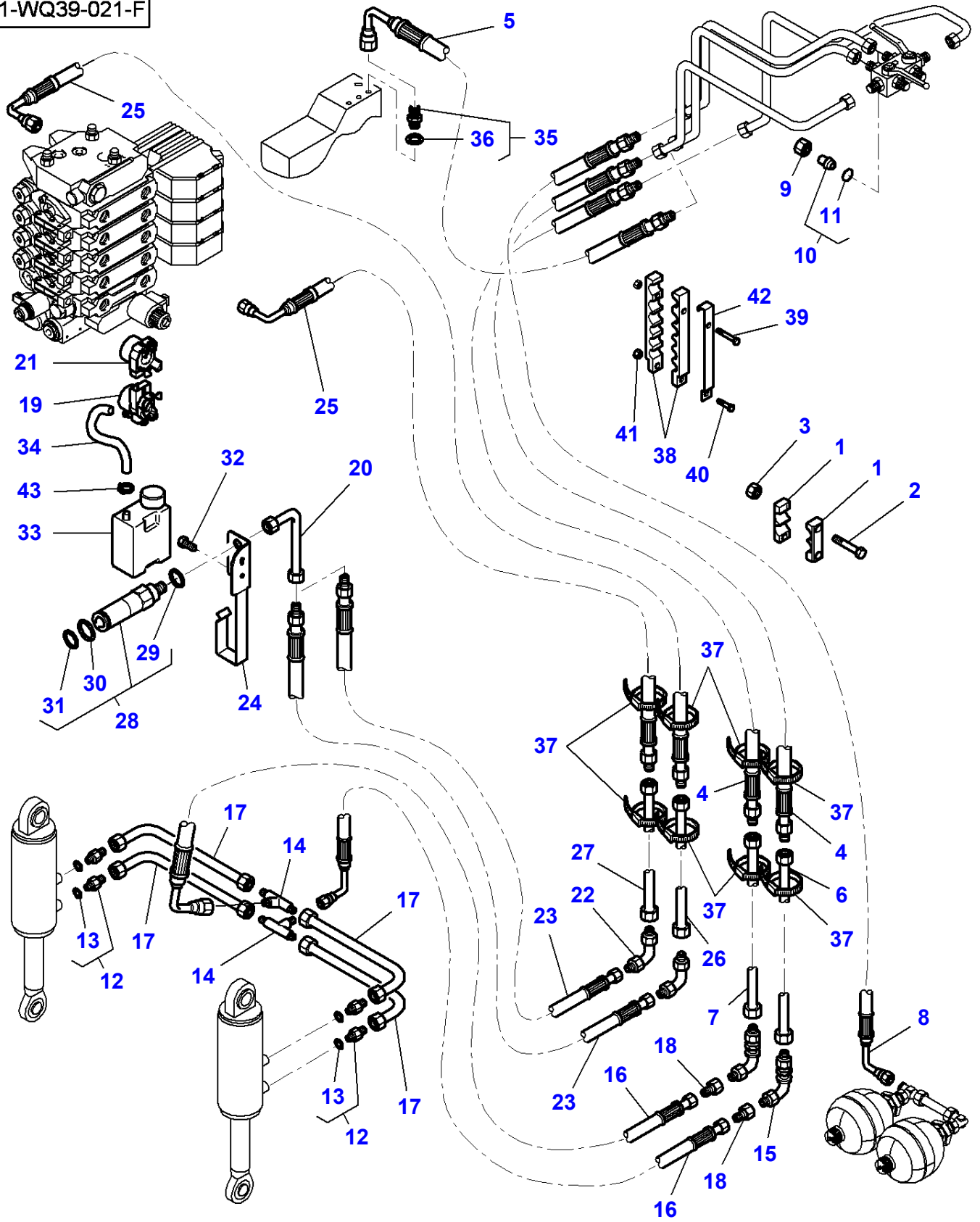
Page040-0185

Item Part Number Qty Description Comments

- FOOTNOTE [A] WITH ACCUMULATOR
- FOOTNOTE [B] WITHOUT ACCUMULATOR
- FOOTNOTE [C] WITH HYDRAULIC COUPLING
- FOOTNOTE [E] YELLOW
- FOOTNOTE [F] RED
- FOOTNOTE [G] BLUE
- FOOTNOTE [H] GREEN
- FOOTNOTE [I] VALID ALSO FOR TRACTOR R313045

MF 8470/8480 TRACTOR (TIER 3) - 3906071
1-WQ39-021-F

1-WQ39-021-F



Massey Ferguson

MF 8470/8480 TRACTOR (TIER 3) - 3906071

3906071

Front Linkage - Hydraulic - With Front Linkage 50000N

Page 040-0190

Item	Part Number	Qty	Description	Comments
1	3786069M1	2	Bridle	R321048
2	339229X1	2	Bolt	M6 X 40 R321048
3	1441500X1	2	Top Locknut	M6 R321048
4	4276161M2	2	Hydr. Hose	1450 MM
5	4278482M2	1	Hydr. Hose	1430 MM
6	4276747M4	1	Tube	
7	4276746M4	1	Tube	
8	4278475M3	1	Hydr. Hose	[A] 1090 MM
9	3011119X1	1	Nut	[B]
10	3011136X91	1	Tap	[B]
11	3011147X1	1	O Ring	[B] (10)
12	3011223X91	4	Union	
13	338923X1	1	Gasket	(12)
14	338737X1	2	Union	
15	3011065X1	2	Union	
16	4278100M1	2	Hydr. Hose	480 MM
17	4279253M2	4	Tube	
18	3011071X91	2	Union	
19	4278348M1	1	Breather	[C]
20	4279248M2	2	Tube	[C]
21	4278347M1	1	Breather	[C]
22	3011065X1	2	Union	[C]
23	4279250M1	2	Hydr. Hose	[C] 580 MM
24	4278318M2	1	Strap	[C]
25	4276160M2	2	Hydr. Hose	[C] 1700 MM R321048
	4276160M2	1	Hydr. Hose	[C,I] 1700 MM R321049
	4286540M1	1	Hydr. Hose	[C,I] 1650 MM R321049
26	4276749M4	1	Tube	[C]
27	4276748M4	1	Tube	[C]
28	3785907M2	2	Female Coupler	[C]
29	3903520M1	1	Gasket	[C] (28)
30	3903512M2	1	Snapping	[C] (28)
31	368374X1	1	O Ring	[C] (28)
32	339761X1	2	Bolt	[C] M8 X 25
33	4284633M1	1	Can	[C]
34	4279254M1	1	Hydr. Hose	[C] 100 MM
35	338717X91	1	Union	
36	338764X1	1	Seal	(35)
37	4279275M1	2	Cable Tie	[E] 180 MM
	4279273M1	2	Cable Tie	[F]
	4279276M1	2	Cable Tie	[H] 180 MM
	4279271M1	2	Cable Tie	[G] 180 MM
38	4286708M1	2	Bridle	[I] R321049
39	391244X1	1	Hex. Sock. Screw	[I] M6 X 45 R321049
40	339262X1	1	Bolt	[I] M6 X 30 R321049
41	339030X1	2	Nut	[I] M6 R321049

Massey Ferguson

MF 8470/8480 TRACTOR (TIER 3) - 3906071

3906071

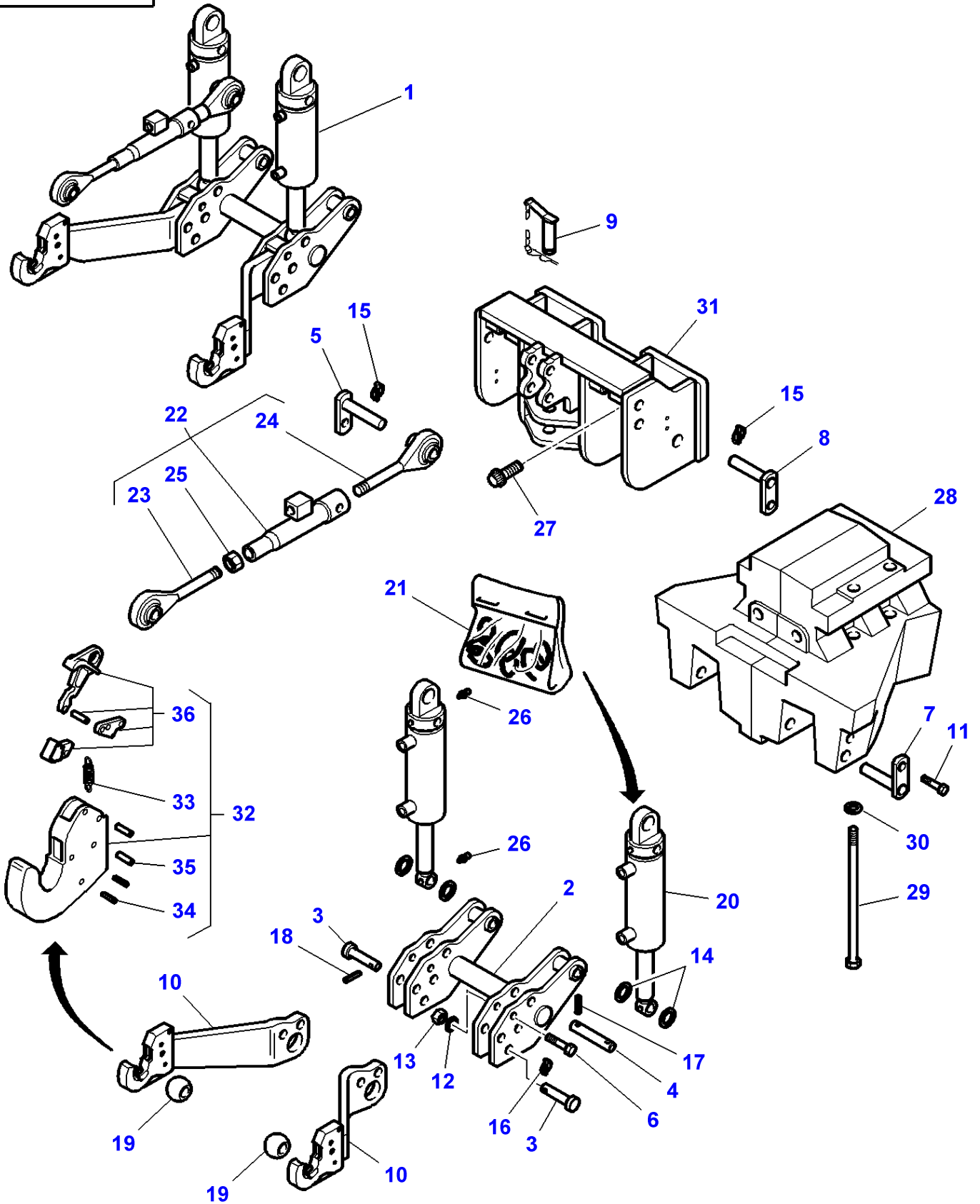
Front Linkage - Hydraulic - With Front Linkage 50000N

Page040-0190

Item	Part Number	Qty	Description	Comments
42	4291285M1	1	Reinforcement	JUN-2007
43	3712465M1	1	Hose Clip	

- FOOTNOTE [A]** WITH ACCUMULATOR
- FOOTNOTE [B]** WITHOUT ACCUMULATOR
- FOOTNOTE [C]** WITH HYDRAULIC COUPLING
- FOOTNOTE [E]** BLUE
- FOOTNOTE [F]** RED
- FOOTNOTE [G]** YELLOW
- FOOTNOTE [H]** GREEN
- FOOTNOTE [I]** VALID ALSO FOR TRACTOR R313045

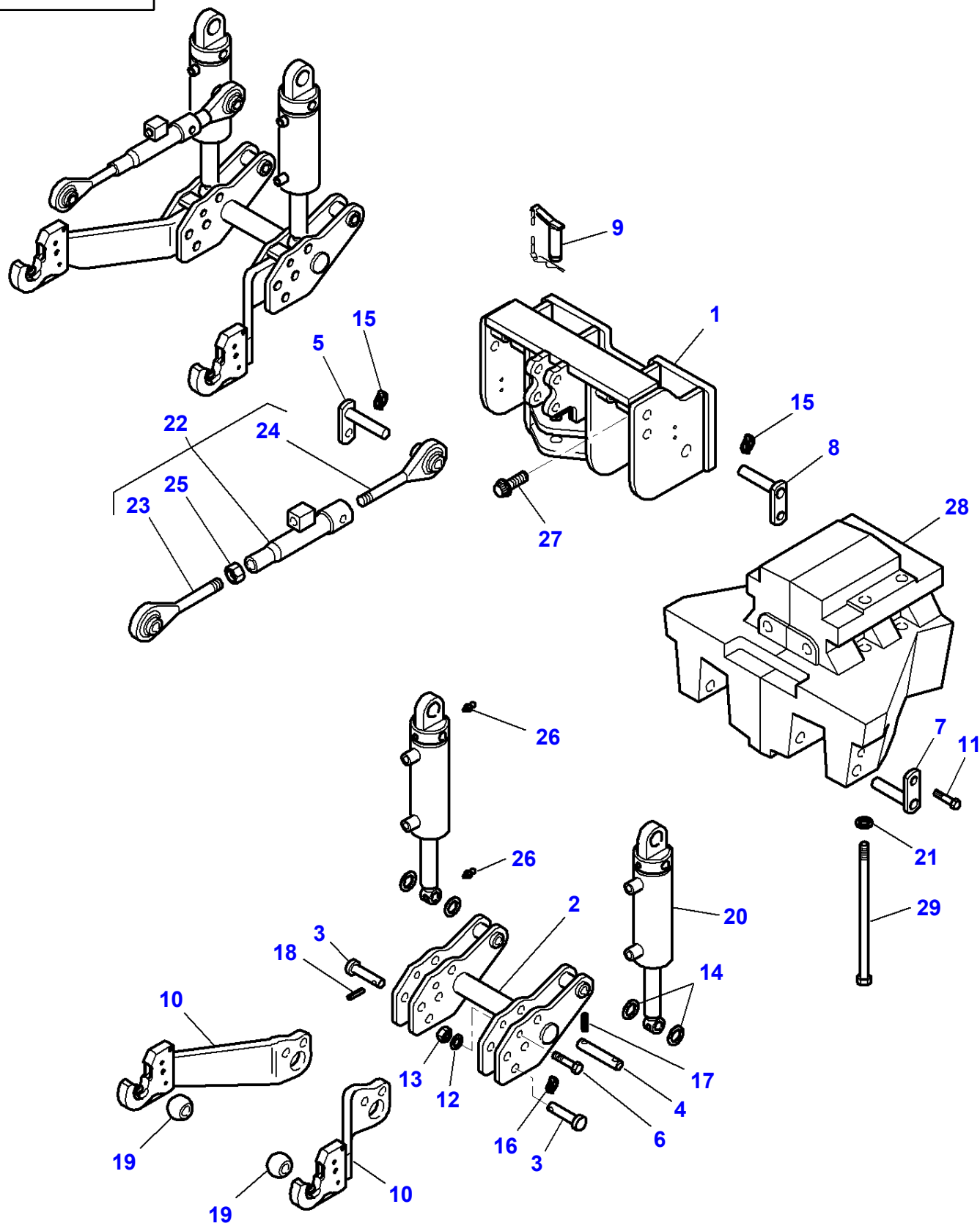
1-WQ37-023-A



Front Linkage 35000N - Up To ...

Item	Part Number	Qty	Description	Comments
1	4276569M91	1	Hitch	
2	4276572M1	1	Support	(1)
3	3788596M1	4	Clevis Pin	(1)
4	3788597M1	2	Clevis Pin	(1)
5	3782680M1	1	Clevis Pin	(1)
6	3788599M1	2	Clevis Pin	(1)
7	4271645M1	2	Clevis Pin	(1)
8	4271646M1	2	Clevis Pin	(1)
9	3712122M1	1	Clevis Pin	(1)
10	3788600M1	1	Arm	(1)
	3788601M1	1	Arm	(1)
11	3382952M1	2	Hex. Sock. Screw	(1) M16 X 50
12	1443512X1	2	Washer	(1)
13	3788603M1	2	Locknut	(1) M24
14	3788604M1	4	Washer	(1) 36-50 X 4
15	3782684M1	3	Clip	(1) 8 MM
16	3788605M1	2	Clip	(1) 10,5 MM
17	3788607M1	2	Pin	(1) 8 X 50
18	3788608M1	2	Pin	(1) 12 X 50
19	3782685M1	2	Toggle	(1) CAT 3
	3782686M1	2	Toggle	(1) CAT 2-3
20	4276570M1	1	Ram	(1) 3504846069RO
	4278050M1	1	Ram	(1) 3504846068RO
21	3903317M91	1	Kit, Joint	(20)
22	3788609M1	1	Bar	(1)
23	3900885M1	1	Toggle	(22)
24	3903895M1	1	Toggle	(22)
25	3900887M1	1	Nut	(22) M30
26	3900862M1	4	Grease Fitting	(1) M6
27	3010563X1	8	Screw	M20 X 90
28	4280872M1	1	Weight	530 KG
29	3019949X1	2	Hex. Sock. Screw	M20 X 240
	3010649X1	2	Hex. Sock. Screw	M20 X 470
30	385365X1	4	Washer	20-37 X 5
31	4276571M1	1	Support	
32		1	Hook	CAT 3/2 REF. 10
33	3788565M1	1	Spring	(32)
34	3903947M91	1	Kit, Roll Pins	(32)
35	3903948M91	1	Kit, Roll Pins	(32)
36	3903946M91	1	Kit, Lever	(32)

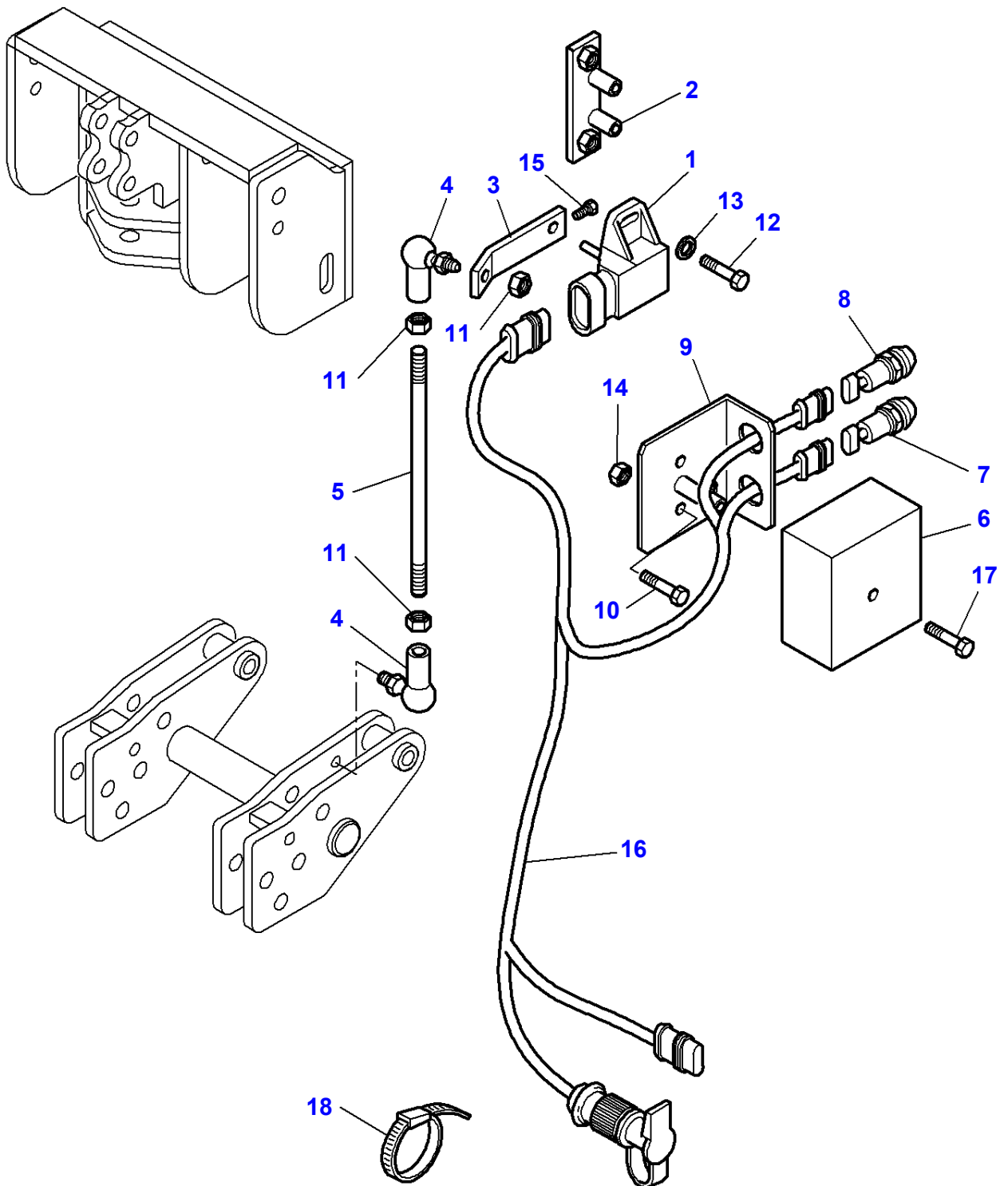
1-WQ37-043-A



Front Linkage 35000N - From ...

Item	Part Number	Qty	Description	Comments
1	4287476M2	1	Support	
2	4287586M2	1	Support	
3	4287541M1	4	Clevis Pin	
4	4287597M1	2	Clevis Pin	
5	4287512M1	1	Clevis Pin	
6	4287543M1	2	Clevis Pin	
7	4287567M1	2	Clevis Pin	
8	4287568M1	2	Clevis Pin	
9	4287510M1	1	Clevis Pin	
10	4287544M2	1	Arm	
	4287545M2	1	Arm	
11	3382952M1	2	Hex. Sock. Screw	M16 X 50
12	1443512X1	2	Washer	
13	3001189X1	2	Nut	M24
14	391385X1	4	Washer	36-56 X 2
15	3782684M1	3	Clip	8 MM
16	3788605M1	2	Clip	10,5 MM
17	3788607M1	2	Pin	8 X 50
18	3788608M1	2	Pin	12 X 50
19	3782685M1	2	Toggle	CAT 3
	3782686M1	2	Toggle	CAT 2-3
20	4287585M1	1	Ram	3504846069RO
	4287589M1	1	Ram	3504846068RO
21	385365X1	4	Washer	20-37 X 5
22	4287550M1	1	Bar	
23	3900885M1	1	Toggle	
24	3903895M1	1	Toggle	
25	3900887M1	1	Nut	M30
26	1441858X1	4	Grease Nipple	M6
27	3010563X1	8	Screw	M20 X 90
28	4280872M1	1	Weight	530 KG
29	3019949X1	2	Hex. Sock. Screw	M20 X 240
	3010649X1	2	Hex. Sock. Screw	M20 X 470

1-WQ37-034-A



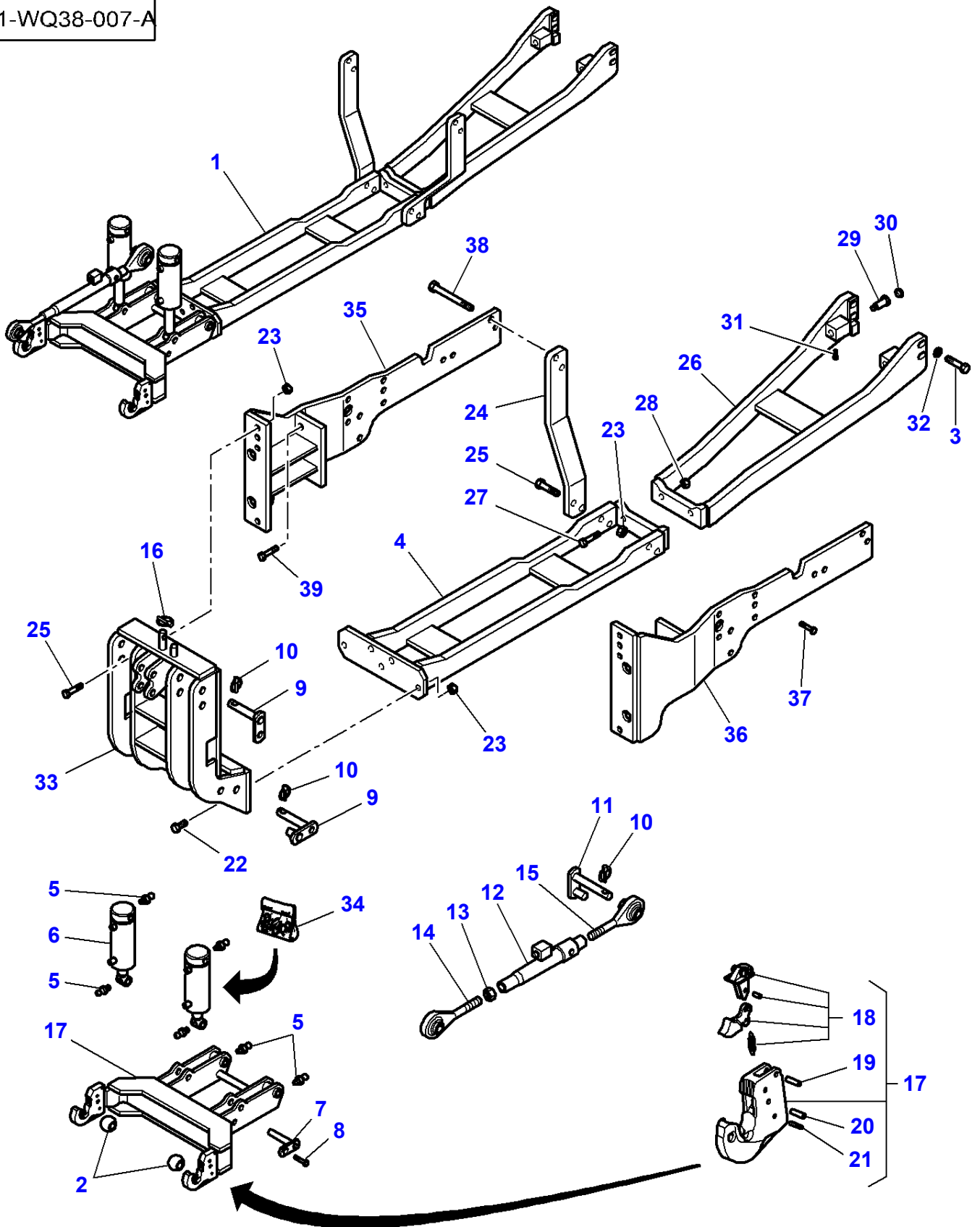
Massey Ferguson**MF 8470/8480 TRACTOR (TIER 3) - 3906071****3906071****Page 040-0205****Front Linkage 35000N**

Item	Part Number	Qty	Description	Comments
1	3784361M1	1	Transducer	
2	3786146M2	1	Support	
3	3786147M2	1	Rod Link	100 MM
4	3778648M1	2	Stub	M8
5	3786158M2	1	Stem	M8 385 MM
6	3786187M1	1	Cover	
7	3714137M1	1	Switch,Indirect	[A]
8	3714138M1	1	Switch,Indirect	[B]
9	3786188M1	1	Support	
10	339009X1	2	Setscrew	M8 X 35
11	392309X1	3	Nut Metric	M8
12	1442171X1	2	Hex. Sock. Screw	M4 X 10
13	339102X1	2	Flat Washer	4-9 X 1
14	339169X1	2	Nut	M8
15	3011203X1	1	Screw	M4 X 10
16	4280288M3	1	Harness	
17	391074X1	1	Bolt	M6 X 12
18	3619622M1	X	Cable Tie	

FOOTNOTE [A] UP**FOOTNOTE [B]** DOWN

MF 8470/8480 TRACTOR (TIER 3) - 3906071
1-WQ38-007-A

1-WQ38-007-A



Massey Ferguson

MF 8470/8480 TRACTOR (TIER 3) - 3906071

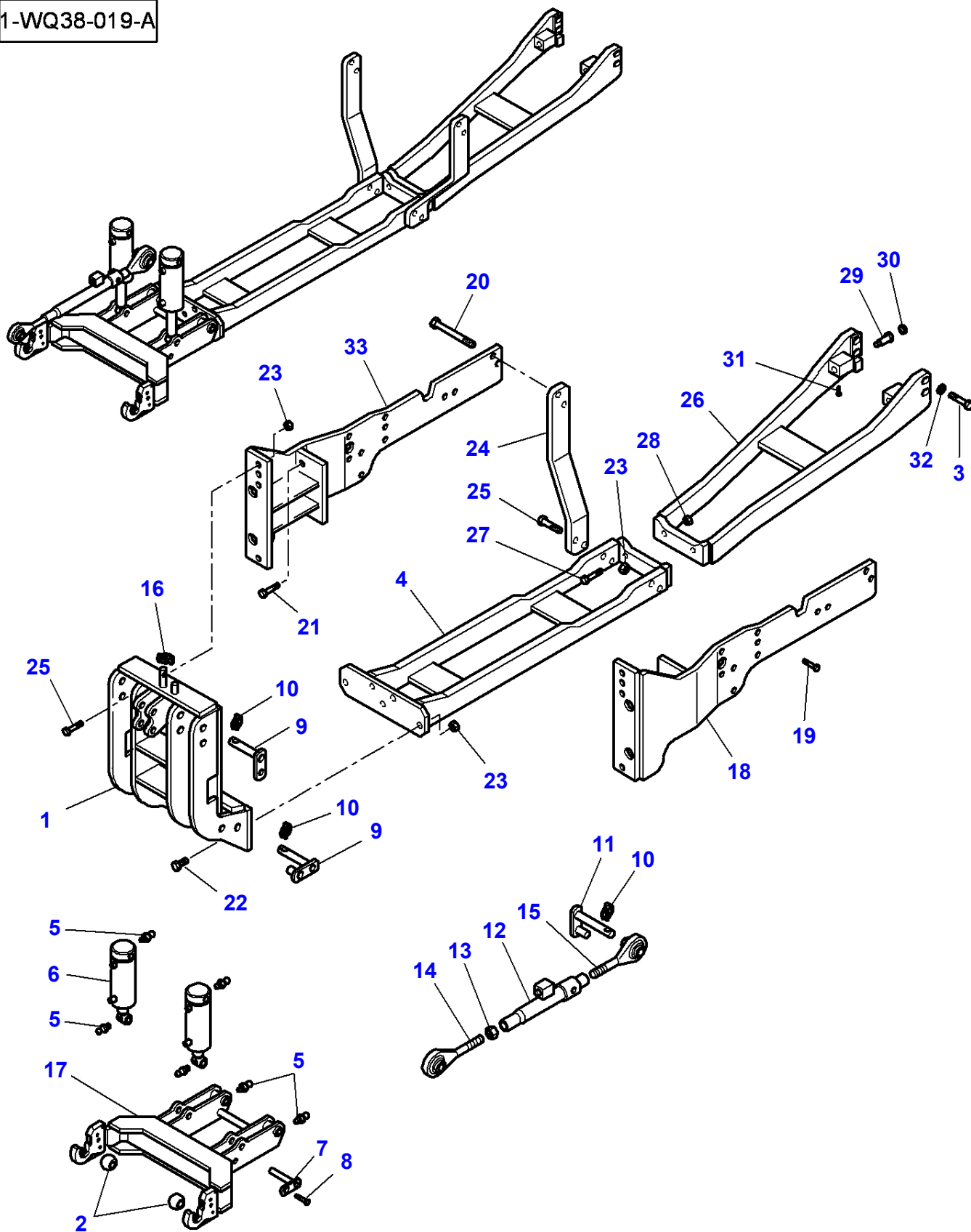
3906071

Front Linkage 5000N - Front Axle Fixed - Up To

Page040-0210

Item	Part Number	Qty	Description	Comments
1	4273685M92	1	Hitch	
2	3782685M1	2	Toggle	(1) CAT 3
	3782686M1	2	Toggle	(1) CAT 2-3
3	3010915X1	4	Hex. Sock. Screw	(1) M20 X 70
4	4276033M1	1	Transverse	(1)
5	3900862M1	6	Grease Fitting	(1) M6
6	4276810M1	2	Ram	(1)
7	3783023M1	2	Clevis Pin	(1)
8	339020X1	2	Hex. Sock. Screw	(1) M12 X 20
9	3783022M1	4	Clevis Pin	(1)
10	3782684M1	5	Clip	(1) 8 X 45
11	3783024M1	1	Support	(1)
12	3783027M1	1	Body	(1)
13	3010927X1	1	Nut	(1) M36
14	3783029M1	1	Toggle	(1)
15	3783030M1	1	Toggle	(1)
16	3782691M1	1	Clip	(1) 6 X 45
17	3783021M2	1	Arm	(1)
18	3903314M91	1	Kit, Repair	(17)
19	3006429X1	1	Pin	(17) 10 X 36
20	3008317X1	1	Pin	(17) 13 X 36
21	339783X1	1	Roll Pin	(17) 6 X 32
22	3001968X1	5	Hex. Sock. Screw	(1) M20 X 60
23	3009747X1	17	Nut	(1) M20
24	3783168M1	1	Stirrup	(1)
	3783169M1	1	Stirrup	(1)
25	391329X1	12	Hex. Sock. Screw	(1) M20 X 70
26	4273684M2	1	Transverse	(1)
27	3010164X1	2	Hex. Sock. Screw	(1) M18 X 80
28	392335X1	2	Nut	(1) M18
29	3619813M1	2	Screw	(1)
30	3619814M1	2	Washer	(1)
31	1440349X1	2	Screw	(1) M8 X 30
32	390039X1	4	Washer	(1)
33	4276811M4	1	Frame	
34	3903317M91	1	Kit, Joint	
35	3783633M7	1	Runner	
36	3783632M6	1	Runner	
37	3384129M1	8	Hex. Sock. Screw	M20 X 55
38	391914X1	4	Hex. Sock. Screw	M20 X 110
39	3384129M1	2	Hex. Sock. Screw	M20 X 55

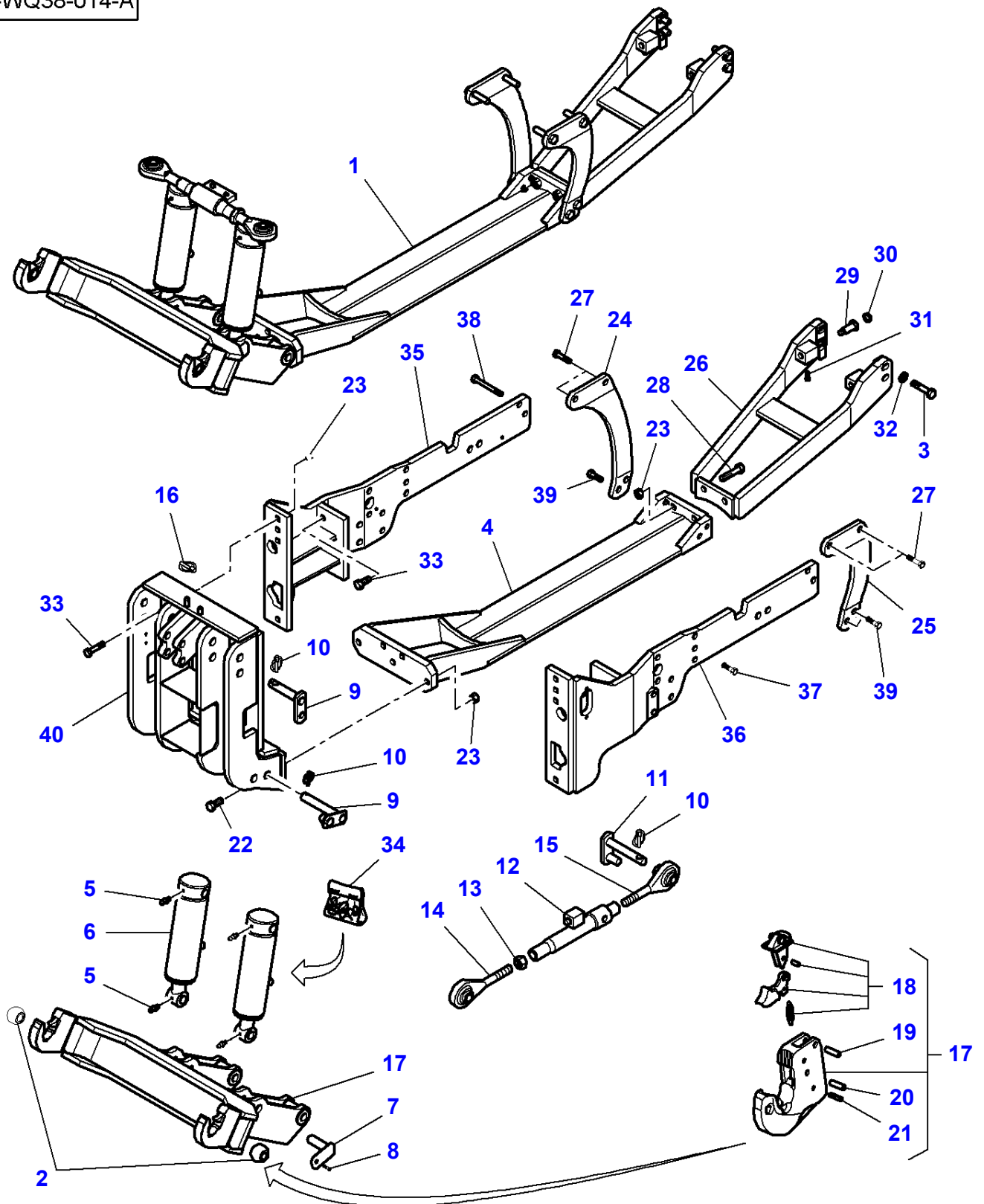
1-WQ38-019-A



Massey Ferguson**MF 8470/8480 TRACTOR (TIER 3) - 3906071****3906071****Front Linkage 5000N - Front Axle Fixed - From****Page040-0215**

Item	Part Number	Qty	Description	Comments
1	4287477M2	1	Frame	
2	4303395M1	2	Toggle	CAT 3
	3042430M1	2	Toggle	CAT 2-3
3	3010915X1	4	Hex. Sock. Screw	M20 X 70
4	4287584M1	1	Transverse	
5	1441858X1	6	Grease Nipple	M6
6	4287587M1	2	Ram	
7	4287519M1	2	Clevis Pin	
8	339020X1	2	Hex. Sock. Screw	M12 X 20
9	4287518M1	4	Clevis Pin	
10	3782684M1	5	Clip	8 X 45
11	4287520M1	1	Support	
12	4287521M1	1	Body	
13	3010927X1	1	Nut	M36
14		1	Toggle	
15		1	Toggle	
16	3782691M1	1	Clip	6 X 45
17	4287517M2	1	Arm	
18	4287461M1	1	Runner	
19	3384129M1	8	Hex. Sock. Screw	M20 X 55
	391329X1	4	Hex. Sock. Screw	M20 X 70
20	391914X1	4	Hex. Sock. Screw	M20 X 110
21	3384129M1	2	Hex. Sock. Screw	M20 X 55
22	3001968X1	5	Hex. Sock. Screw	M20 X 60
23	3009747X1	17	Nut	M20
24	4287524M1	1	Stirrup	
	4287525M1	1	Stirrup	
25	391329X1	12	Hex. Sock. Screw	M20 X 70
26	4287580M1	1	Transverse	
27	3010164X1	2	Hex. Sock. Screw	M18 X 80
28	392335X1	2	Nut	M18
29	3619813M1	2	Screw	
30	3619814M1	2	Washer	
31	1440349X1	2	Screw	M8 X 30
32	390039X1	4	Washer	
33	4287462M1	1	Runner	

1-WQ38-014-A



Massey Ferguson

MF 8470/8480 TRACTOR (TIER 3) - 3906071

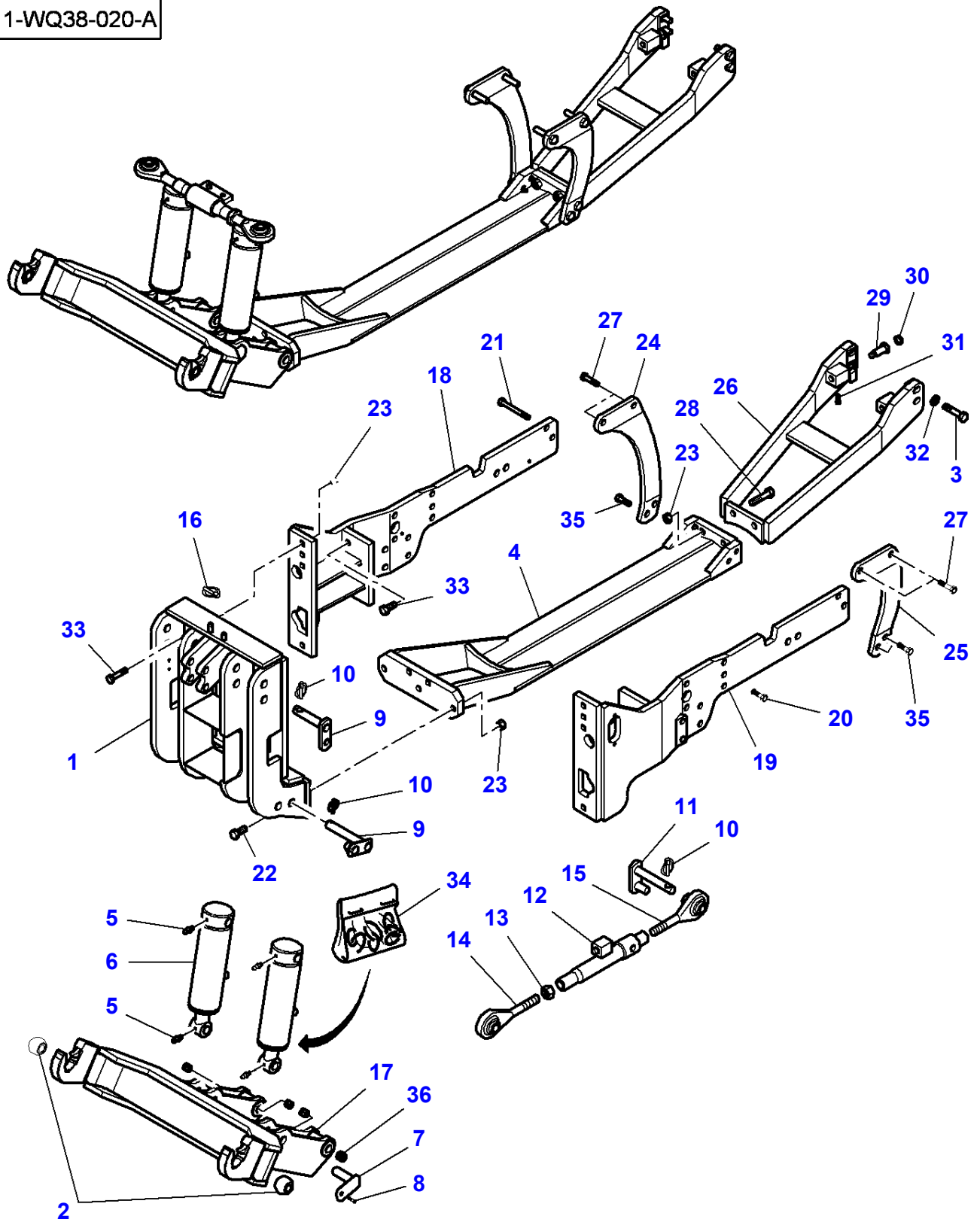
3906071

Front Linkage 50000N - With Suspended Front Axle - Up To S155024

Page 040-0220

Item	Part Number	Qty	Description	Comments
1	4281038M93	1	Hitch	
2	3042430M1	2	Toggle	(1) CAT 3
	4303395M1	2	Toggle	(1) CAT 2-3
3	3010915X1	4	Hex. Sock. Screw	(1) M20 X 70
4	4274252M2	1	Reinforcement	(1)
5	3900862M1	6	Grease Fitting	(1) M6
6	4276810M1	2	Ram	(1)
7	3783023M1	2	Clevis Pin	(1)
8	339020X1	2	Hex. Sock. Screw	(1) M12 X 20
9	3783022M1	4	Clevis Pin	(1)
10	3782684M1	5	Clip	(1) 8 X 45
11	3783024M1	1	Support	(1)
12	3783027M1	1	Body	(1)
13	3010927X1	1	Nut	(1) M36
14	3783029M1	1	Toggle	(1)
15	3783030M1	1	Toggle	(1)
16	3782691M1	1	Clip	(1) 6 X 45
17	3783021M2	1	Arm	(1)
18	3903314M91	1	Kit, Repair	(17)
19	3006429X1	1	Pin	(17) 10 X 36
20	3008317X1	1	Pin	(17) 13 X 36
21	339783X1	1	Roll Pin	(17) 6 X 32
22	3010915X1	4	Hex. Sock. Screw	(1) S043003 M20 X 70
	3010569X1	4	Hex. Sock. Screw	(1) S043004 M20 X 80
23	3009747X1	15	Nut	(1) M20
24	4280004M1	1	Reinforcement	(1)
25	4280005M1	1	Reinforcement	(1)
26	4280003M3	1	Reinforcement	(1)
27	3010045X1	4	Hex. Sock. Screw	(1) M20 X 90
28	3010915X1	2	Hex. Sock. Screw	(1) M20 X 70
29	3619813M1	2	Screw	(1)
30	3619814M1	2	Washer	(1)
31	1440349X1	2	Screw	(1) M8 X 30
32	390039X1	4	Washer	(1) S043003
	390975X1	13	Flat Washer	(1) S043004
33	391329X1	8	Hex. Sock. Screw	(1) M20 X 70
34	3903317M91	1	Kit, Joint	
35	3783633M7	1	Runner	
36	3783632M6	1	Runner	
37	3384129M1	8	Hex. Sock. Screw	M20 X 55
38	3010045X1	4	Hex. Sock. Screw	M20 X 90
39	1444105X1	4	Hex. Sock. Screw	M20 X 45
40	4276811M4	1	Frame	

1-WQ38-020-A



Massey Ferguson**MF 8470/8480 TRACTOR (TIER 3) - 3906071**

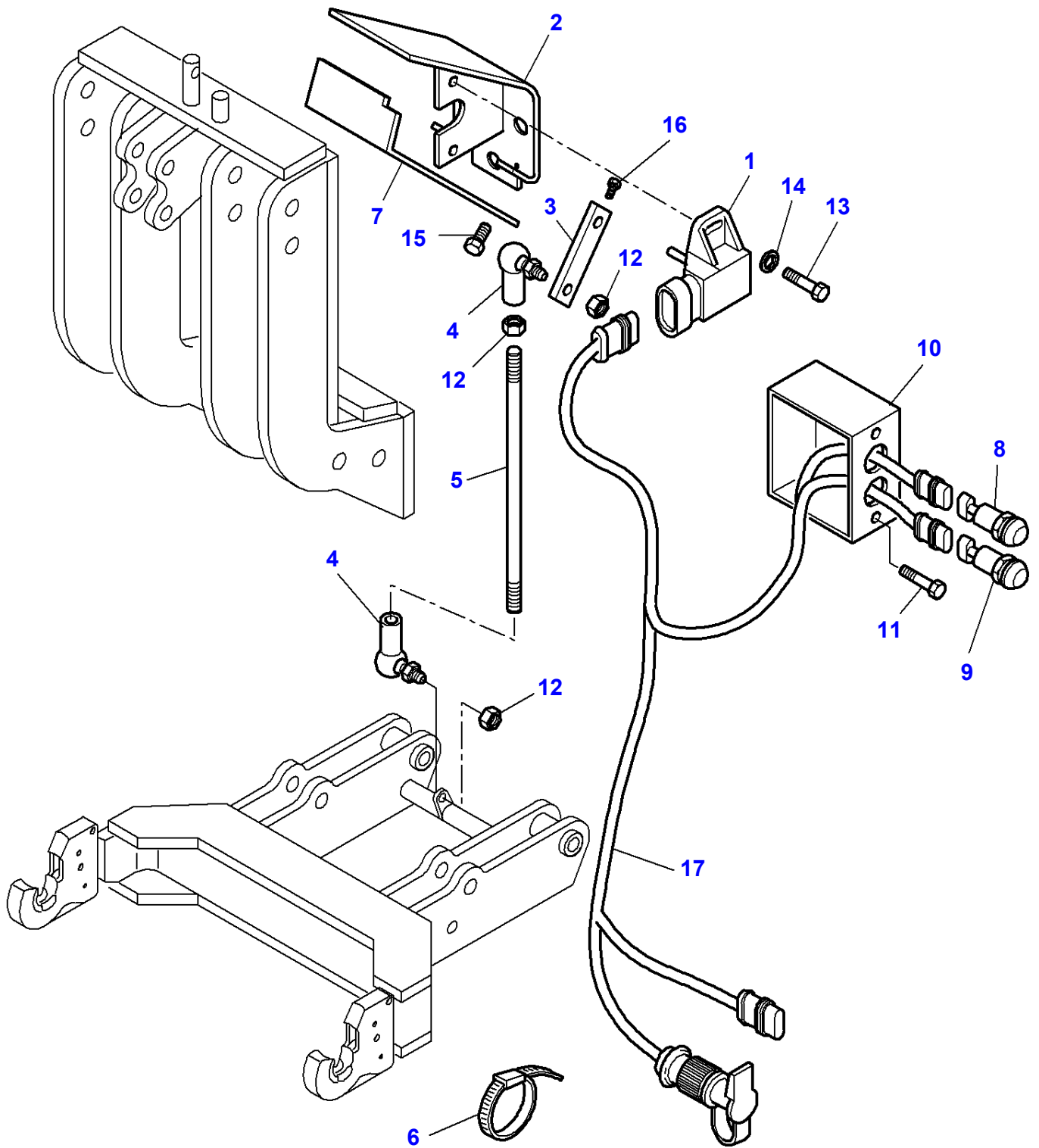
3906071

Front Linkage 5000N - With Front Axle Suspended - From S155025

Page040-0225

Item	Part Number	Qty	Description	Comments
1	4287477M2	1	Frame	
2	3042430M1	2	Toggle	CAT 3
	4303395M1	2	Toggle	CAT 2-3
3	3010915X1	4	Hex. Sock. Screw	M20 X 70
4	4274252M2	1	Reinforcement	
5	1441858X1	6	Grease Nipple	M6
6	4287587M1	2	Ram	
7	4287519M1	2	Clevis Pin	
8	339020X1	2	Hex. Sock. Screw	M12 X 20
9	4287518M1	4	Clevis Pin	
10	3782684M1	5	Clip	8 X 45
11	4287520M1	1	Support	
12	4287521M1	1	Body	
13	3010927X1	1	Nut	M36
14	3783029M1	1	Toggle	
15	3783030M1	1	Toggle	
16	3782691M1	1	Clip	6 X 45
17	4287517M2	1	Arm	
18	4287462M1	1	Runner	
19	4287461M1	1	Runner	
20	3384129M1	8	Hex. Sock. Screw	M20 X 55
21	3010045X1	4	Hex. Sock. Screw	M20 X 90
22	3010569X1	4	Hex. Sock. Screw	M20 X 80
23	3009747X1	15	Nut	M20
24	4280004M1	1	Reinforcement	
25	4280005M1	1	Reinforcement	
26	4280003M3	1	Reinforcement	
27	3010045X1	4	Hex. Sock. Screw	M20 X 90
28	3010915X1	2	Hex. Sock. Screw	M20 X 70
29	3619813M1	2	Screw	
30	3619814M1	2	Washer	
31	1440349X1	2	Screw	M8 X 30
32	390975X1	13	Flat Washer	
33	391329X1	8	Hex. Sock. Screw	M20 X 70
34	3903317M91	1	Kit, Joint	
35	1444105X1	4	Hex. Sock. Screw	M20 X 45
36	4292249M1	4	Bush	

1-WQ38-015-A



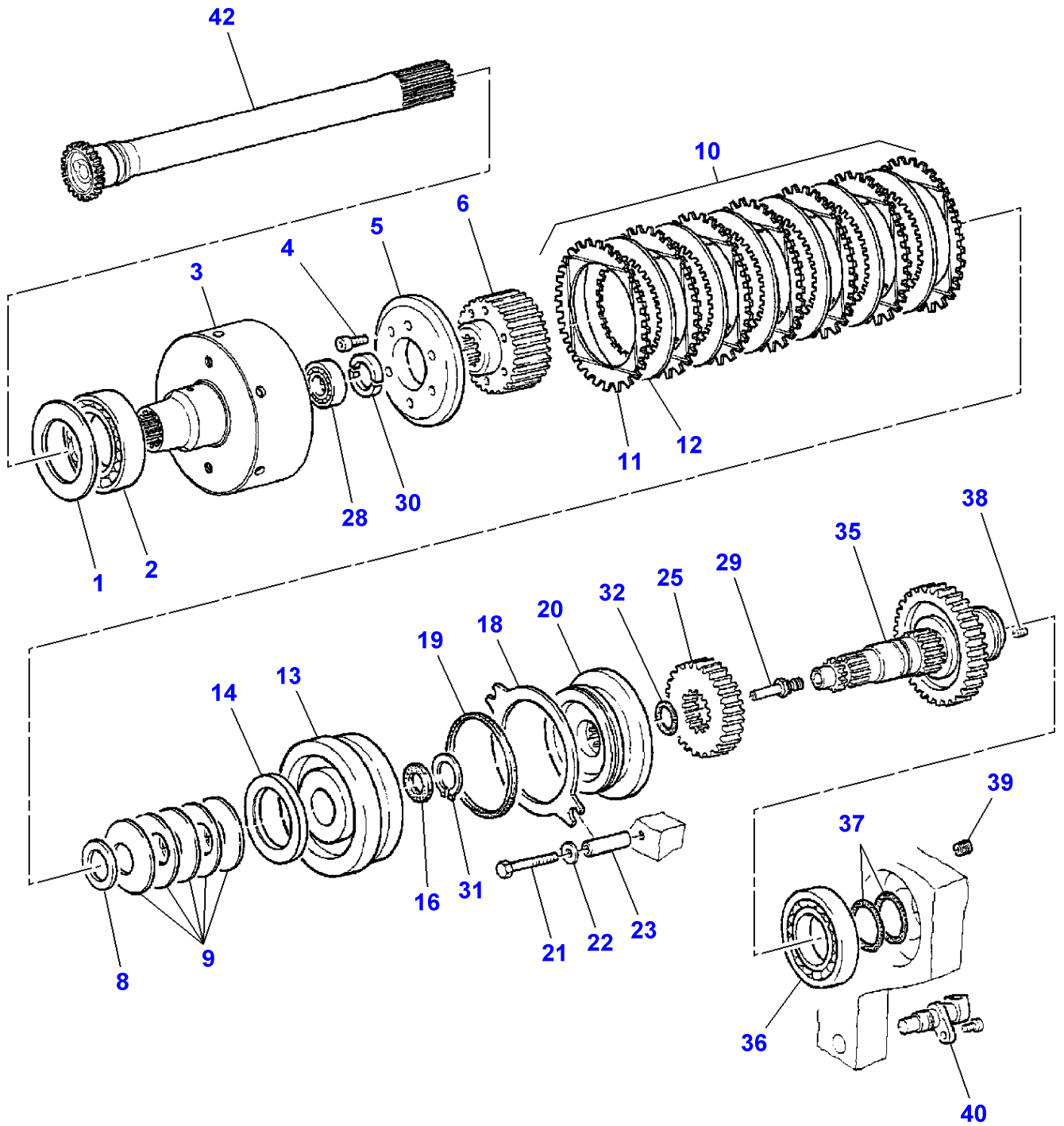
Front Linkage 50000N

Item	Part Number	Qty	Description	Comments
1	3784361M1	1	Transducer	
2	3786259M1	1	Support	
3	3786098M2	1	Rod Link	56 MM
4	3782780M1	2	Stub	M6
5	3786131M2	1	Stem	M6 24 MM
6	3619622M1	10	Cable Tie	
7	3786133M2	1	Cowl	
8	3714137M1	1	Switch,Indirect	[A]
9	3714138M1	1	Switch,Indirect	[B]
10	3786186M2	1	Support	
11	339009X1	2	Setscrew	M8 X 35
12	392309X1	3	Nut Metric	M8
13	1442171X1	2	Hex. Sock. Screw	M4 X 10
14	339102X1	2	Flat Washer	4-9 X 1
15	3009491X1	2	Bolt	M10 X 20
16	3011203X1	1	Screw	M4 X 10
17	4280288M3	1	Harness	

FOOTNOTE [A] UP

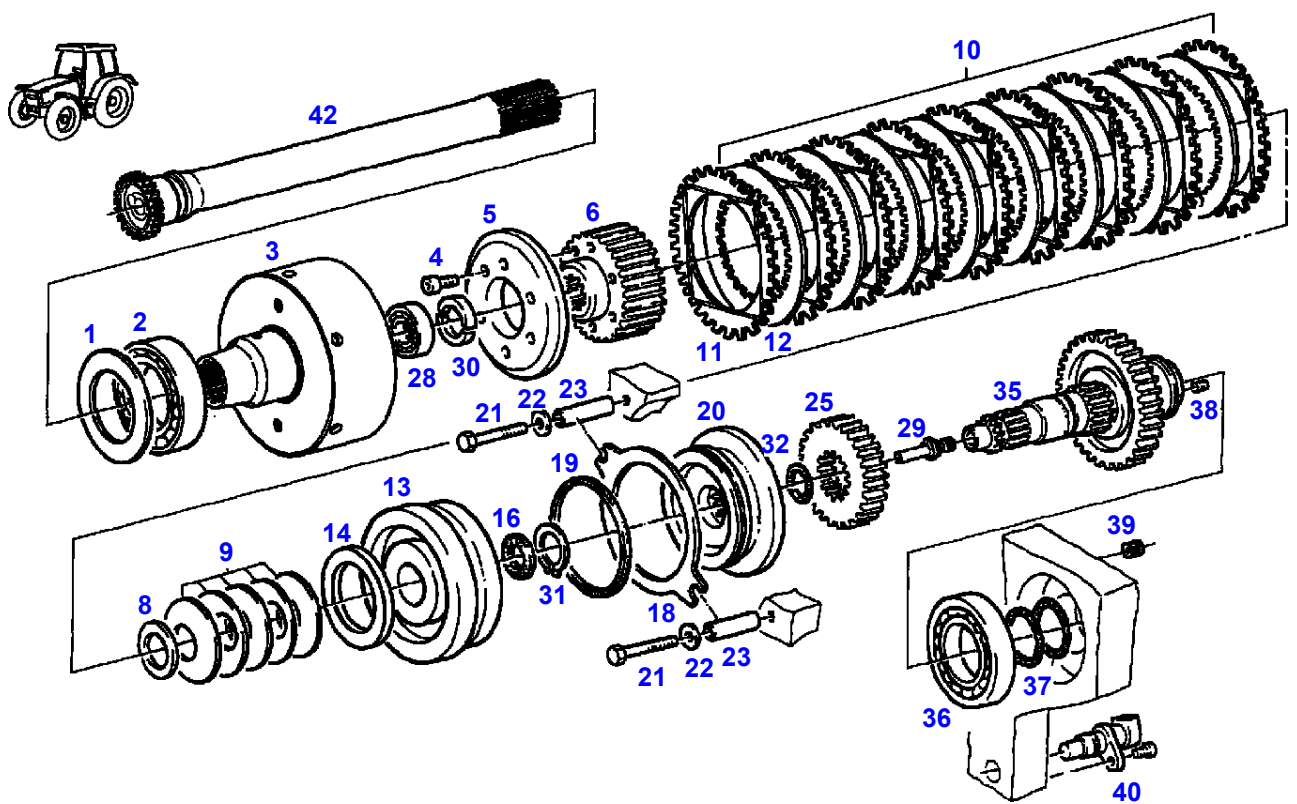
FOOTNOTE [B] DOWN

1-WG23-013-A



Item	Part Number	Qty	Description	Comments
1	X534.677.046.000	X	Shim	0,10 MM
	X534.677.146.000	X	Shim	0,30 MM
2	X605.506.311.000	1	Ball Bearing	
3	926.150.220.160	1	Clutch Housing	
4	X493.607.305.000	6	Hex. Sock. Screw	M8 X 20
5	822.100.220.170	1	Backup Ring	
6	822.100.220.040	1	Disc Carrier	
8	X534.767.700.000	X	Shim	0,50 MM
	X534.767.900.000	X	Shim	1,00 MM
9	822.100.220.510	5	Cup Spring	
10	G926.150.220.040	1	Kit, Disc	
11		7	External Disc	(10) REF. 10
12		6	Internal Disc	(10) REF. 10
13	822.100.220.840	1	Piston	
14	822.100.220.860	1	Ring	
16	822.100.220.530	1	Support Cover	
18	718.150.220.080	1	External Disc	
19	822.100.220.380	1	Support Cover	
20	822.100.220.850	1	Brake Disc	
21	X487.532.541.000	2	Screw	M10 X 70
22	X521.404.447.000	2	Spring Plate	
23	822.100.220.080	2	Bush	
25	822.100.220.340	1	Spur Gear	750-1000 TR/MM 25
	824.100.220.010	1	Spur Gear	540-1000 TR/MM 22
28	H822.100.220.070	1	Ball Bearing	
29	916.100.220.010	1	Nozzle	
30	199.100.080.110	2	Half Ring	
31	X530.005.446.000	1	Circlip	45 X 1,75
32	X548.909.366.000	1	O Ring	40,2 X 3
35	822.100.220.520	1	Shaft	
36	G822.100.220.030	1	Roller Bearing	
37	X560.505.900.000	2	Plain Compr.Ring	
38	X412.823.106.000	1	Screw	M10 X 12
39	822.100.220.120	1	Shroud	
40		1	Transmitter	090-0115/11
42	926.102.080.130	1	Shaft	

1-WG23-014-A



Massey Ferguson**MF 8470/8480 TRACTOR (TIER 3) - 3906071**

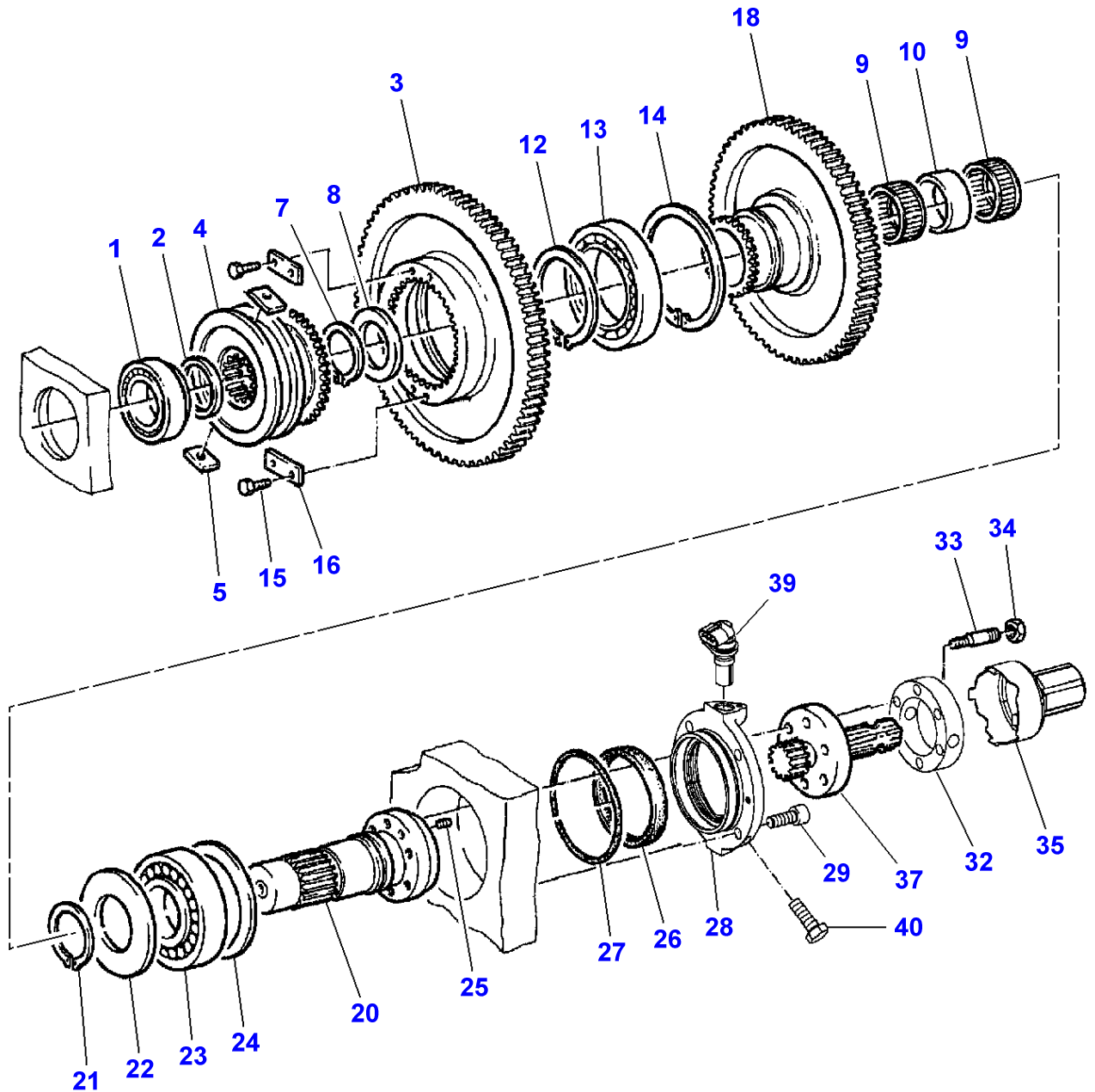
3906071

Independent Power Take Off Clutch - From 903/00201 - Up To 903/00300 - From 903/01001

Page050-0010

Item	Part Number	Qty	Description	Comments
1	X534.677.046.000	X	Shim	0,10 MM
	X534.677.146.000	X	Shim	0,30 MM
2	X605.506.311.000	1	Ball Bearing	
3	926.150.220.210	1	Clutch Housing	
4	X493.607.305.000	6	Hex. Sock. Screw	M8 X 20
5	822.100.220.170	1	Backup Ring	
6	926.150.220.230	1	Disc Carrier	
8	X534.767.700.000	X	Shim	0,50 MM
	X534.767.900.000	X	Shim	1,00 MM
9	822.100.220.510	5	Cup Spring	
10	G926.150.220.050	1	Kit, Disc	
11		9	External Disc	(10) REF. 10
12		8	Internal Disc	(10) REF. 10
13	926.150.220.080	1	Ring	926150220050
14	926.150.220.220	1	Ring	
16	822.100.220.530	1	Support Cover	
18	718.150.220.080	1	External Disc	
19	822.100.220.380	1	Support Cover	
20	822.100.220.850	1	Brake Disc	
21	X487.532.541.000	2	Screw	M10 X 70
22	X521.404.447.000	2	Spring Plate	
23	822.100.220.080	2	Bush	
25	822.100.220.340	1	Spur Gear	750-1000 TR/MM 25
	824.100.220.010	1	Spur Gear	540-1000 TR/MM 22
28	H822.100.220.070	1	Ball Bearing	
29	916.100.220.010	1	Nozzle	
30	199.100.080.110	2	Half Ring	
31	X530.005.446.000	1	Circlip	45 X 1,75
32	X548.909.366.000	1	O Ring	40,2 X 3
35	822.100.220.521	1	Shaft	
36	G822.100.220.030	1	Roller Bearing	
37	X560.505.900.000	2	Plain Compr.Ring	
38	X412.823.106.000	1	Screw	M10 X 12
39	822.100.220.120	1	Shroud	
40		1	Transmitter	090-0115/11
42	926.102.080.130	1	Shaft	

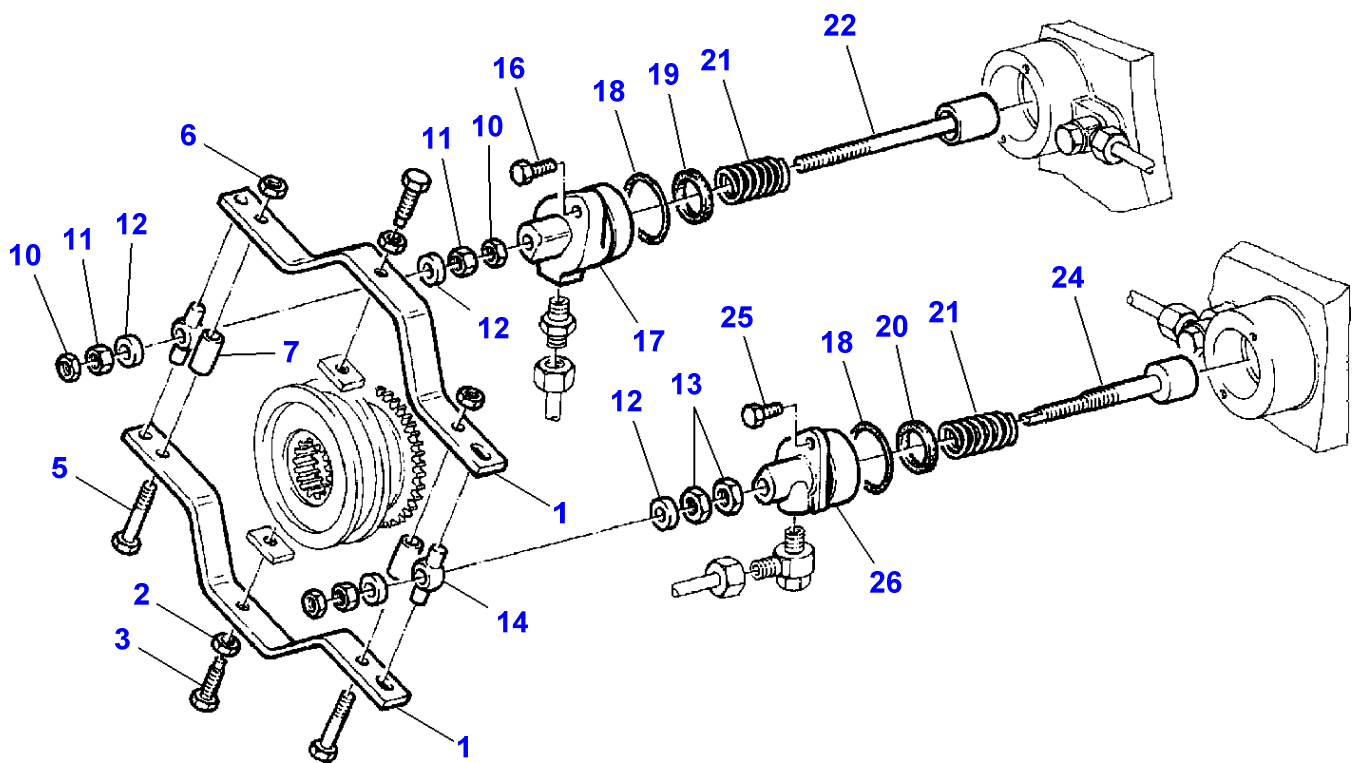
1-WG78-002-A



Item	Part Number	Qty	Description	Comments
1	X619.049.041.009	1	Cup And Cone	
2	X534.566.246.000	1	Backup Ring	50 X 62
3	822.100.220.310	1	Spur Gear	750-1000 TR/MM 74
	824.100.220.020	1	Spur Gear	540-1000 TR/MM 83
4	822.100.220.330	1	Coupler	
5	822.100.220.150	2	Slide	
7	X530.006.146.000	1	Circlip	55 X 2
8	822.100.220.210	1	Disc	
9	H312.100.222.020	2	Needle Cage	
10	822.100.220.220	1	Spacer	
12	X530.007.946.000	1	Circlip	85 X 3
13	X605.506.600.000	1	Ball Bearing	
14	X530.325.046.000	1	Circlip	130 X 4
15	X487.520.041.000	4	Screw	M6 X 16
16	822.100.220.200	2	Stop	
18	822.100.220.300	1	Spur Gear	65
20	H822.100.220.010	1	Shaft	
21	X530.009.100.000	1	Circlip	65 X 4
22	716.151.220.210	1	Thrust Washer	
23	X619.049.341.009	1	Cup And Cone	
24	X534.678.300.000	X	Shim	0,10 MM
	X534.678.400.000	X	Shim	0,15 MM
	X534.678.500.000	X	Shim	0,20 MM
	X534.678.600.000	X	Shim	0,30 MM
	X534.678.700.000	X	Shim	0,50 MM
25	X413.420.206.000	2	Grub Screw	M6 X 16
26	X550.162.800.000	1	Oil Seal	95 X 110 X 10
27	X548.994.700.000	1	O Ring	114 X 3
28	926.150.220.200	1	Cover	
29	X485.018.905.000	4	Hex. Sock. Screw	M12 X 35
32	926.150.220.080	1	Ring	926150220050
33	X489.132.106.000	6	Stud	M10 X 50
	X489.132.006.000	6	Stud	M10 X 45
34	X428.202.805.000	6	Nut	M10
35	926.150.220.060	1	Pto Guard	
37	926.150.220.040	1	Flanged Pin	21 1 3/83
	926.150.220.030	1	Flanged Pin	[A] 6 1 3/8"
	926.150.220.070	1	Flanged Pin	20 1 3/4"
	926.150.220.010	1	Flanged Pin	6 1 3/4"
39		1	Transmitter	090-0115/11
40	X487.545.241.000	1	Screw	M16 X 40

FOOTNOTE [A] OPTION ONLY

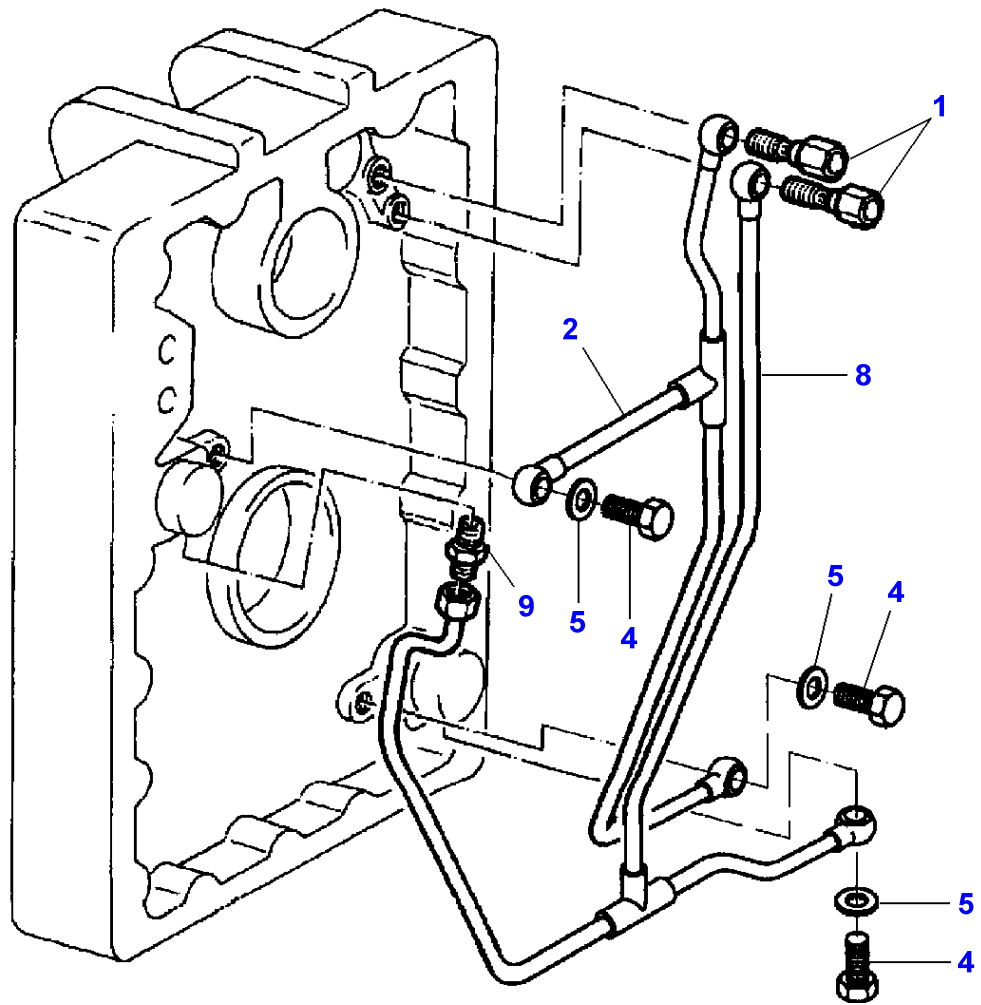
1-WG90-001-A



Massey Ferguson**MF 8470/8480 TRACTOR (TIER 3) - 3906071****3906071****Engine P . T . O - Cylinder****Page050-0020**

Item	Part Number	Qty	Description	Comments
1	822.100.220.250	2	Stirrup	
2	X428.203.203.000	2	Nut	M12
3	822.100.220.390	2	Stud	
5	X487.532.541.000	2	Screw	M10 X 70
6	X428.202.839.000	2	Nut	M10
7	822.100.220.260	2	Tube	
10	X428.803.240.000	3	Nut	M12
11	X428.203.203.000	3	Nut	M12
12	822.100.220.470	4	Disc	
13	X428.804.040.000	2	Nut	M16
14	822.100.220.240	2	Spacer	
16	X487.531.941.000	2	Screw	M10 X 40
17	822.100.220.100	1	Cylinder	
18	X548.926.801.000	2	O Ring	50 X 3
19	X548.766.700.000	1	Seal Section	
20	X548.767.000.000	1	Seal Section	
21	822.100.220.110	2	Comp.Spring	
22	H822.100.220.080	1	Piston	
24	822.100.220.610	1	Piston	
25	X487.531.505.000	2	Screw	M10 X 25
26	822.100.220.620	1	Cylinder	

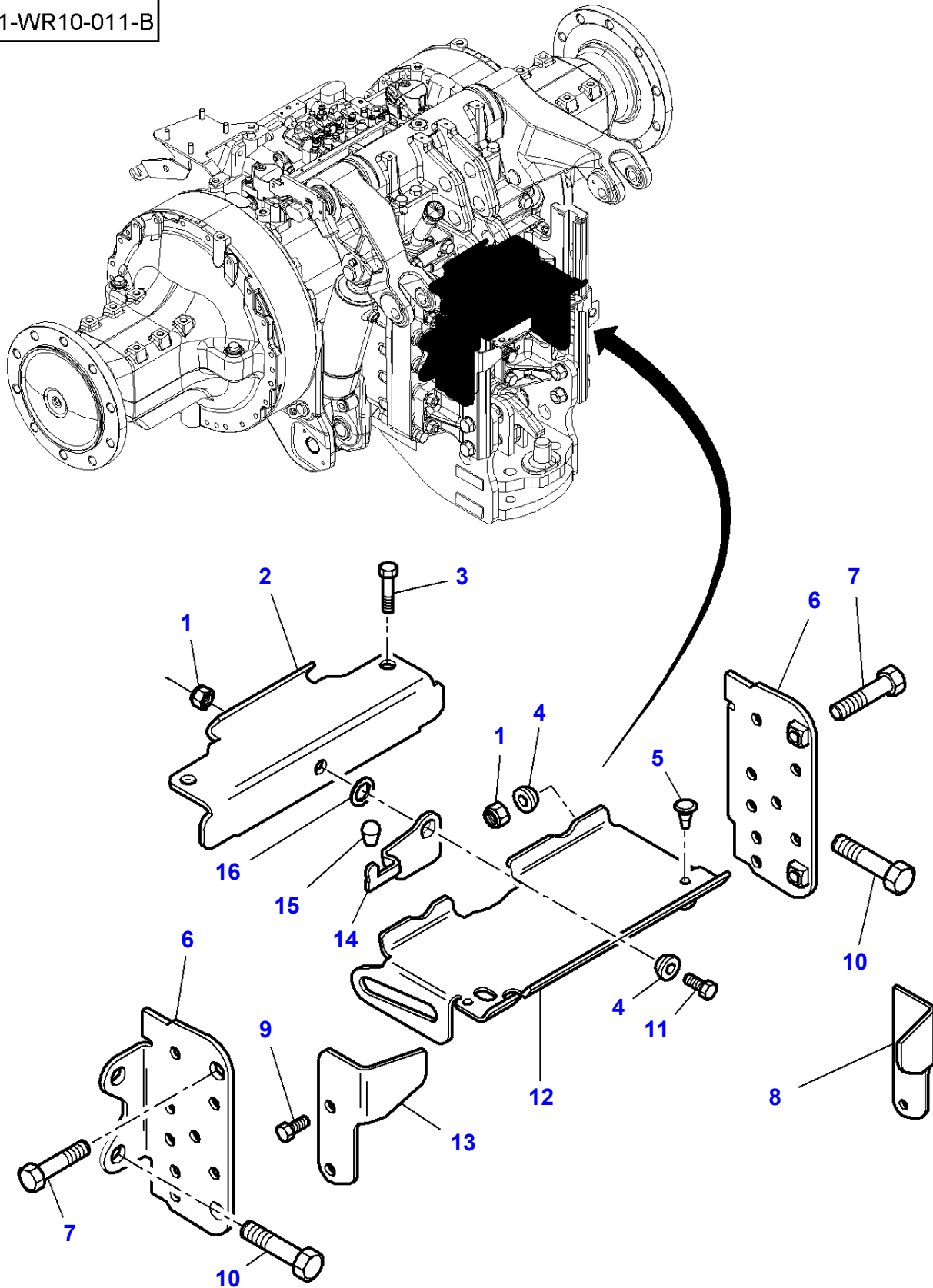
1-WG29-003-A



Massey Ferguson**MF 8470/8480 TRACTOR (TIER 3) - 3906071****3906071****Engine P . T . O - Pipes****Page050-0025**

Item	Part Number	Qty	Description
1	822.100.620.400	2	Center Piece
2	H822.100.620.310	1	Pipe
4	822.100.620.460	3	Union
5	X450.008.708.000	3	Washer
8	H822.100.620.300	1	Pipe
9	822.100.620.450	1	Thread. Part

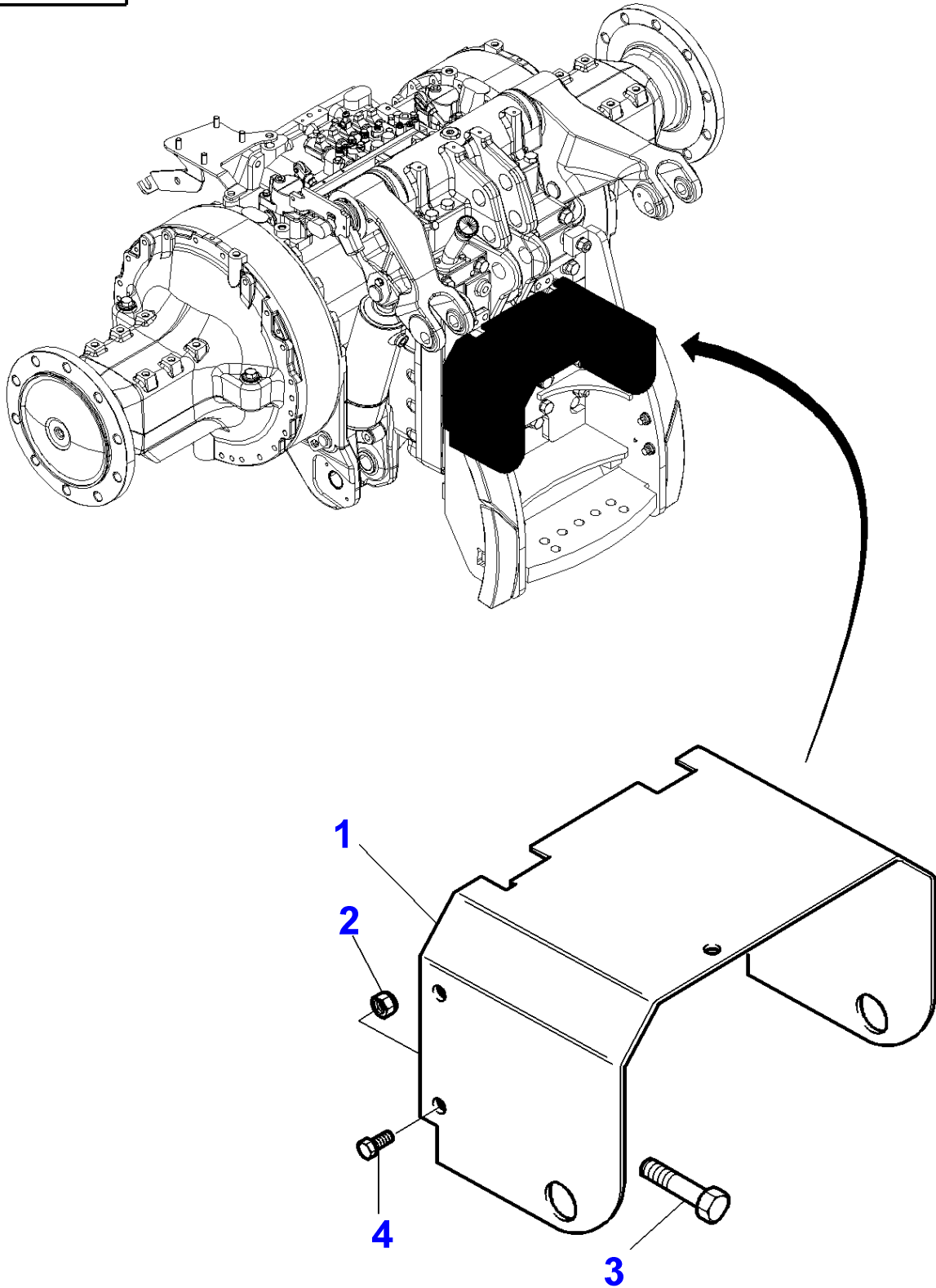
1-WR10-011-B



Massey Ferguson**MF 8470/8480 TRACTOR (TIER 3) - 3906071****3906071****Guard - Pto - WITH CLEVIS QUICK ADJUSTMENT****Page050-0030**

Item	Part Number	Qty	Description	Comments
1	1440329X1	3	Locknut	
2	H931.500.110.010	1	Holder	
3	339337X1	2	Bolt	M8 X 30
4	816.960.700.020	3	Bush	
5	205.900.163.040	2	Plug	
6	H931.500.110.030	2	Protection.	
7	3009494X1	2	Bolt	M10 X 35
8	4282170M1	1	Stop	
9	339123X1	4	Bolt	M8 X 20
10	3011545X1	4	Hex. Sock. Screw	M18 X 110
11	3009492X1	1	Cap Screw	M10 X 25
12	931.500.110.030	1	Flap	
13	916.501.110.050	1	Stand	
14	916.501.110.040	1	Lever	
15	X562.555.063.000	1	Cap	
16	311.200.020.050	1	Disc	

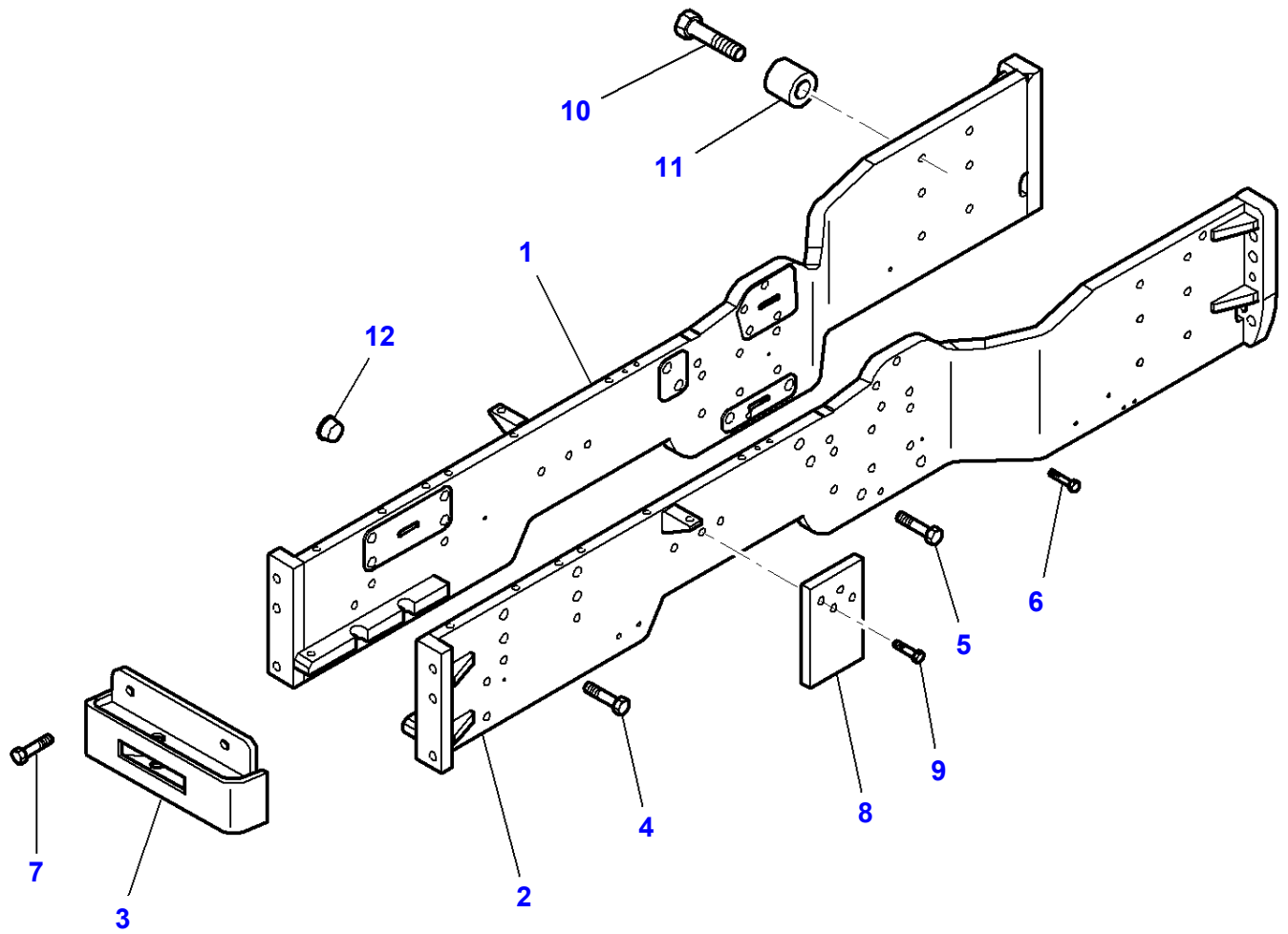
1-WR10-007-A



Massey Ferguson**MF 8470/8480 TRACTOR (TIER 3) - 3906071****3906071****Guard - Pto****Page050-0035**

Item	Part Number	Qty	Description	Comments
1	920501110010	1	Pto Guard	
2	339402X1	4	Nut	
3	3011545X1	4	Hex. Sock. Screw	M18 X 110
4	3009494X1	4	Bolt	M10 X 35

1-WX15-011-C



Weight Frame And Tow Pin

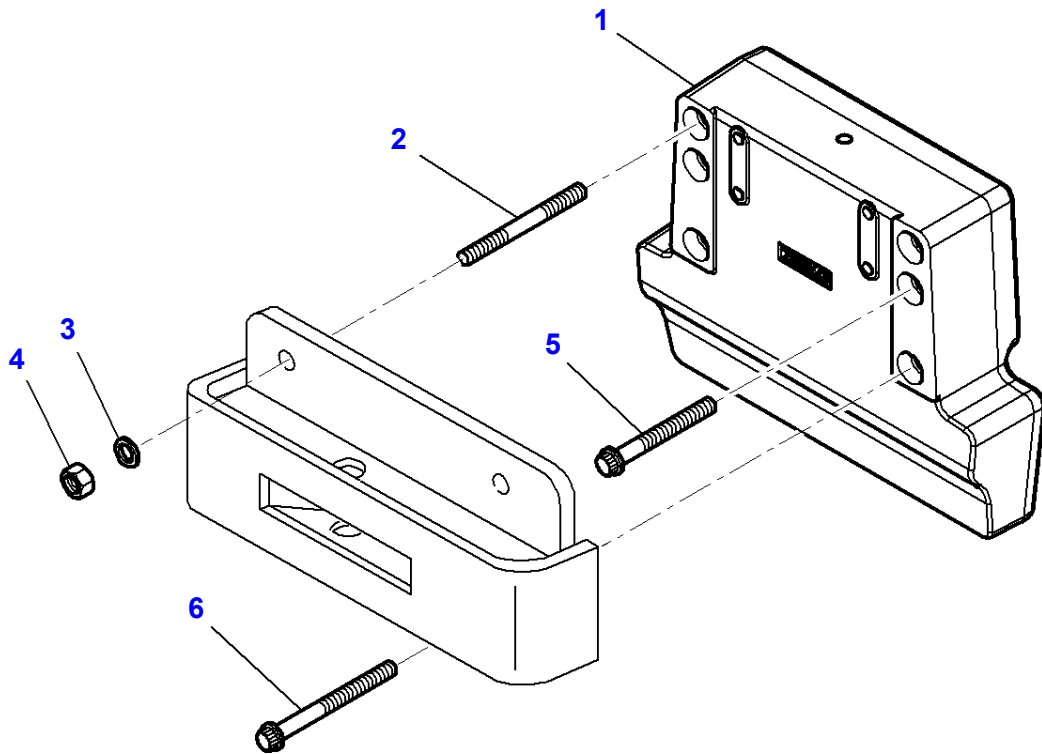
Item	Part Number	Qty	Description	Comments
1	4280009M92	1	Runner	
2	4280008M92	1	Runner	
3	3781211M93	1	Support	
4	3581527M1	12	Hex. Sock. Screw	[A] M20 X 75
	3581527M1	12	Hex. Sock. Screw	[B] M20 X 75
	3010966X1	6	Hex. Sock. Screw	[C] M20 X 75
	3010976X1	2	Screw	[C] M20 X 75
	391914X1	4	Hex. Sock. Screw	[C] M20 X 110
5	3011733X1	4	Screw	M20 X 70
6	3019852X1	8	Bolt	M12 X 55
7	3384129M1	4	Hex. Sock. Screw	M20 X 55
8	5015565M1	2	Plate	
9	3011849X1	4	Screw	M20 X 50
	3011733X1	4	Screw	[C] M20 X 70
10	3001968X1	1	Hex. Sock. Screw	M20 X 60
11	3011675X1	1	Spacer	21-28.5 X 30
12	3011767X1	X	Plug	18.8 MM

FOOTNOTE [A] WITHOUT FRONT LINKAGE

FOOTNOTE [B] WITH FRONT LINKAGE 35000N

FOOTNOTE [C] WITH FRONT LINKAGE 50000N

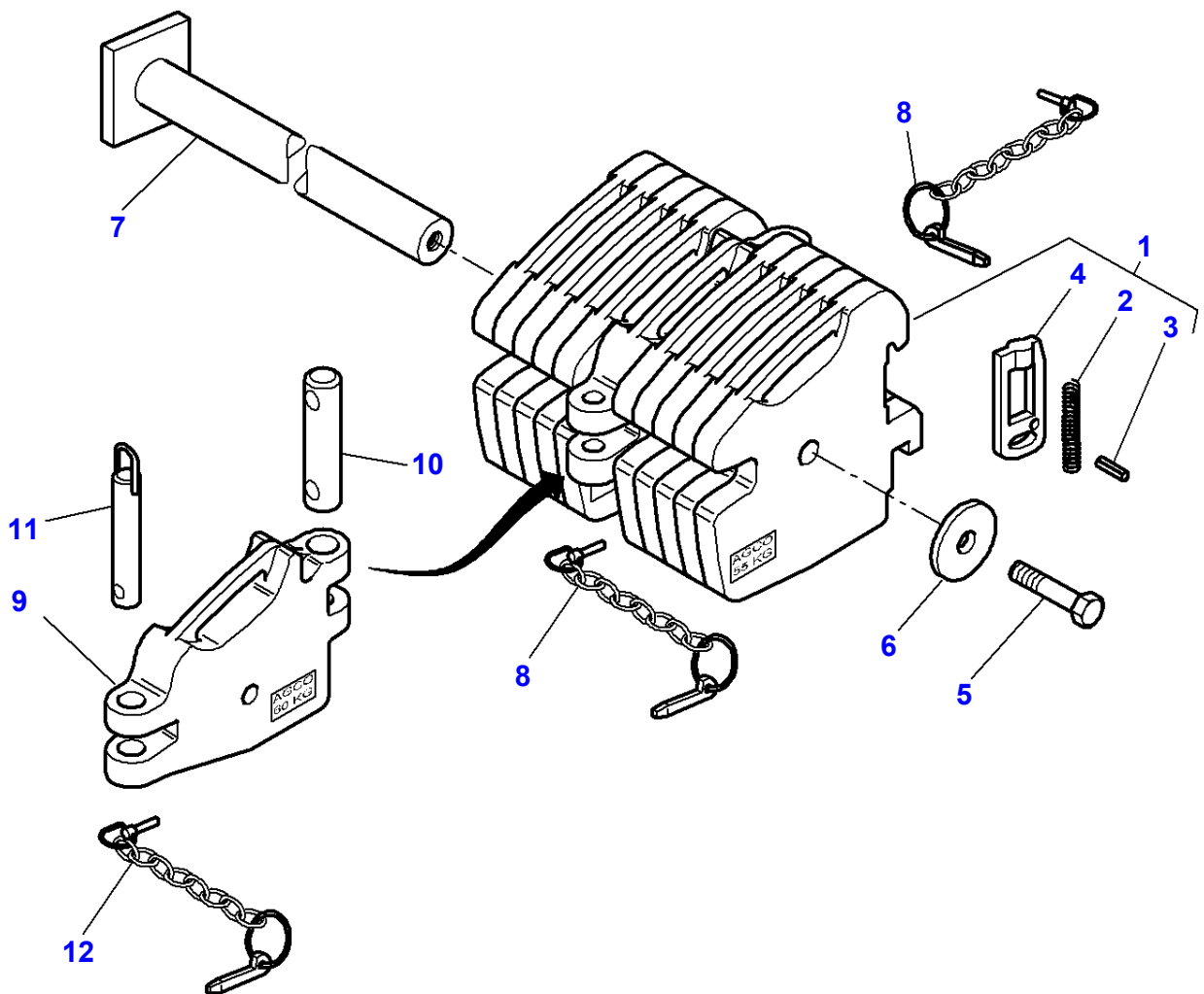
1-WX15-026-A



Massey Ferguson**MF 8470/8480 TRACTOR (TIER 3) - 3906071****3906071****Weight Frame And Tow Pin****Page060-0010**

Item	Part Number	Qty	Description	Comments
1	4287853M1	1	Weight	286 KG
2	3011374X1	2	Stud	M20 X 230
	3011374X1	4	Stud	
3	385365X1	2	Washer	20-37 X 5
	385365X1	2	Washer	
4	339035X1	2	Nut Metric	
5	3010851X1	2	Screw	M20 x 190
6	3010562X1	2	Screw	M20 X 230

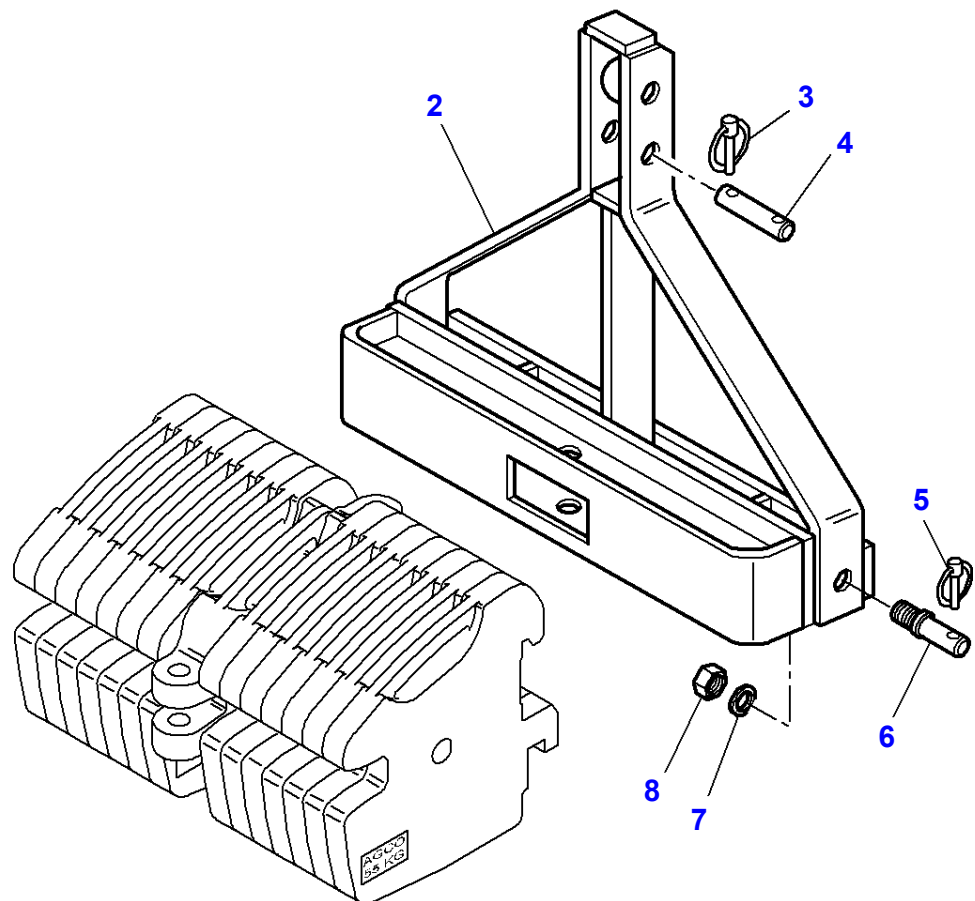
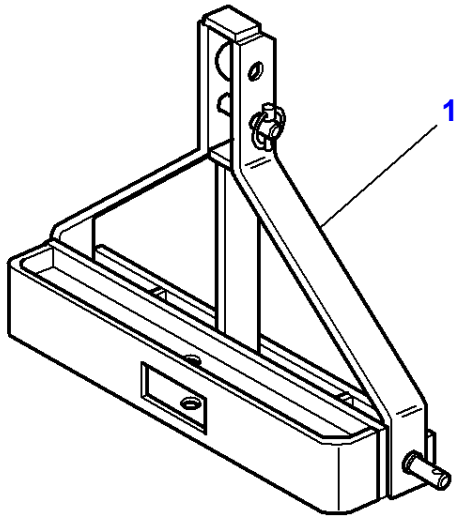
1-WX15-009-B



Massey Ferguson**MF 8470/8480 TRACTOR (TIER 3) - 3906071****3906071****Weight Frame And Tow Pin****Page060-0015**

Item	Part Number	Qty	Description	Comments
1	3784628M93	X	Front Weight	55KG 3784628M12
2	1680172M1	1	Spring	(1)
3	339080X1	1	Roll Pin	(1) 6 X 24
4	3581636M1	1	Hasp	(1)
5	3009132X1	1	Bolt	M16 X 50
	390190X1	1	Hex. Sock. Screw	M16 X 140
6	3385963M1	1	Washer	17,2-68 X 6 MM
7	3788795M1	1	Bridle	520 MM
8	3382812M91	2	Pin	
9	3784591M2	1	Weight	
10	3782456M1	1	Pin Hitch	30 245 MM
11	3790349M92	1	Pin Hitch	30 191 MM
12	3382812M91	1	Pin	

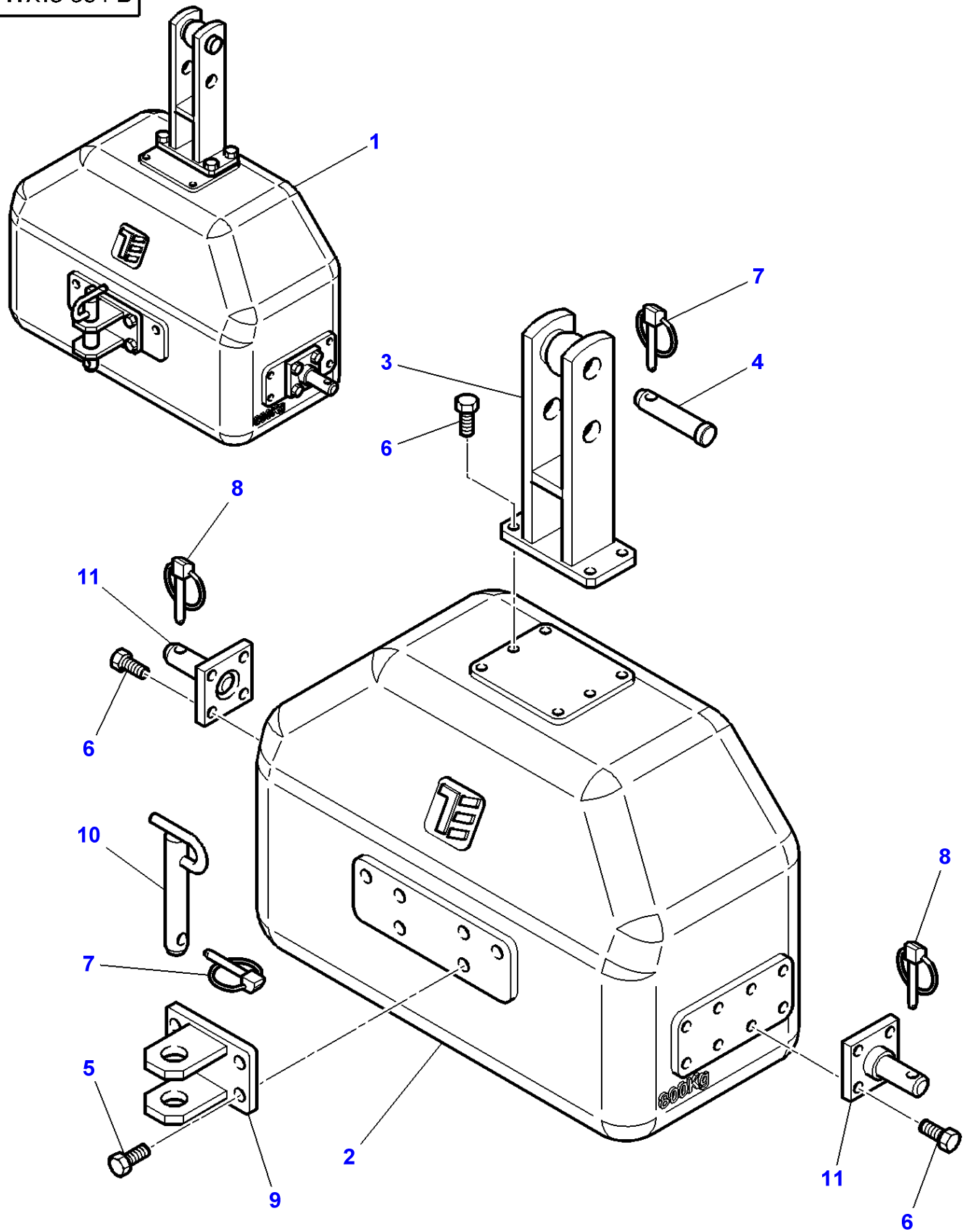
1-WX15-003-D



Massey Ferguson**MF 8470/8480 TRACTOR (TIER 3) - 3906071****3906071****Weight Frame And Tow Pin - With Front Lift****Page060-0020**

Item	Part Number	Qty	Description	Comments
1	3786462M91	1	Support	S115033 CAT 2
	4288293M91	1	Support	S115034 CAT 2 - CAT 3 S185076
	4288293M92	1	Support	CAT 2 - CAT 3 S185077
2		1	Support	(1) REF. 1
3	3782684M1	1	Clip	(1) S115033 CAT 2
	3581687M1	1	Pin	(1) S115034 CAT 2 - CAT 3
4	3903839M1	1	Clevis Pin	(1) S115033 CAT 2
	4292538M1	1	Clevis Pin	(1) S115034 CAT 2 - CAT 3
5	3903841M1	1	Clip	(1) S115033 CAT 2
	3581687M1	2	Pin	(1) S115034 CAT 2 - CAT 3 S185076
	4293838M1	2	Pin	(1) CAT 2 - CAT 3 S185077
6	3903840M1	1	Piton	(1) S115033 CAT 2
	4288290M1	1	Piton	(1) S115034 CAT 2 - CAT 3 S185076
	4288290M2	1	Piton	(1) CAT 2 - CAT 3 S185077
7	1443512X1	2	Washer	(1) S115034 CAT 2 - CAT 3
8	339068X1	2	Nut Metric	(1) S115034 CAT 2 - CAT 3

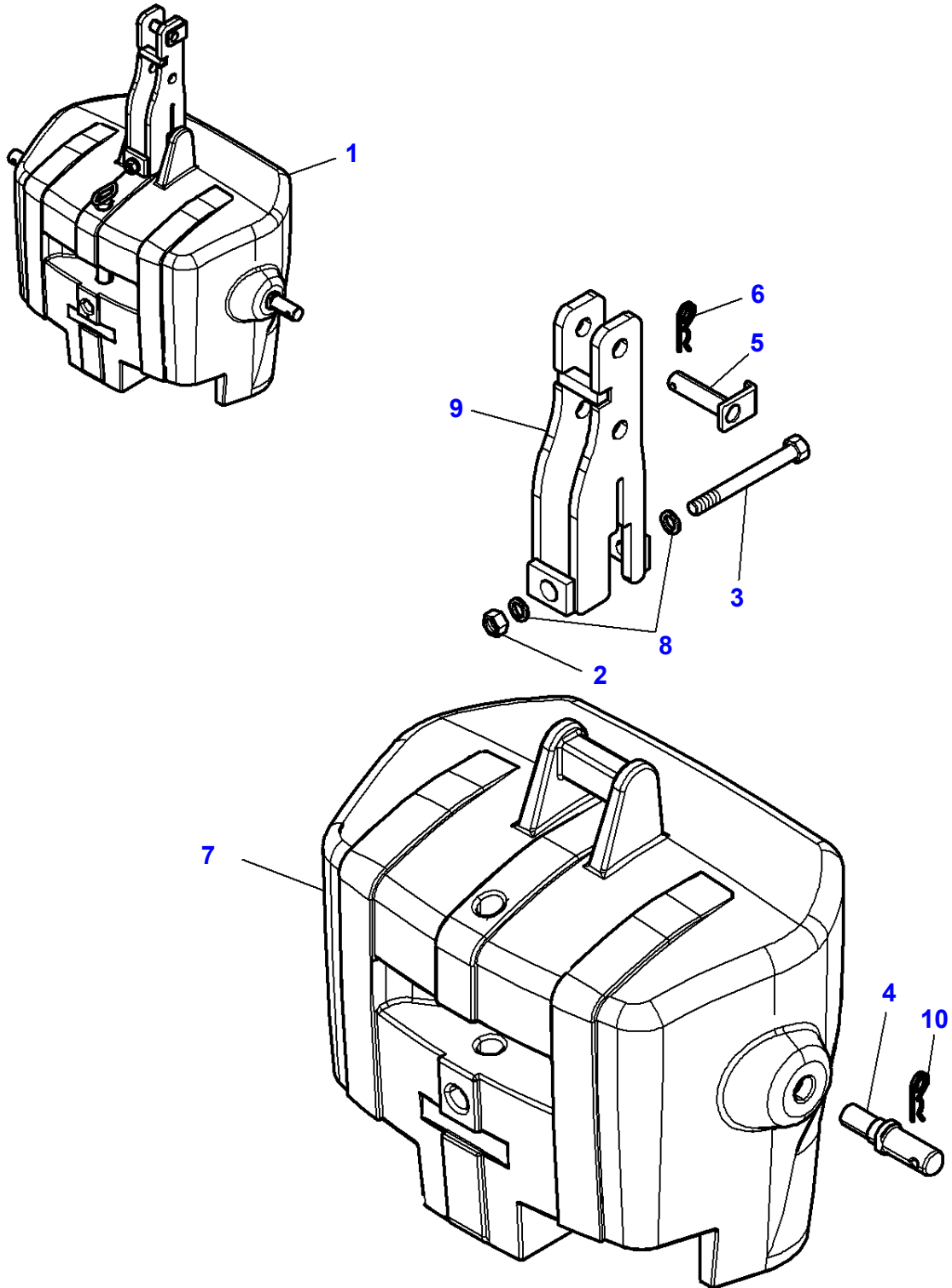
1-WX15-004-B



Massey Ferguson**MF 8470/8480 TRACTOR (TIER 3) - 3906071****3906071****Page060-0025****Weight Frame And Tow Pin**

Item	Part Number	Qty	Description	Comments
1	4271480M91	1	Weight	800KG
2		1	Weight	(1) REF. 1
3	3907226M1	1	Support	(1)
4	3903839M1	1	Clevis Pin	(1)
5	391269X1	4	Hex. Sock. Screw	(1) M16 X 30
6	3011611X1	12	Hex. Sock. Screw	(1) M16 X 45
7	3782684M1	2	Clip	(1) 8 MM
8	3903841M1	2	Clip	(1) 11 MM
9	3907227M1	1	Clevis	(1)
10	3900263M91	1	Pin	(1)
11	3907225M1	2	Piton	(1)

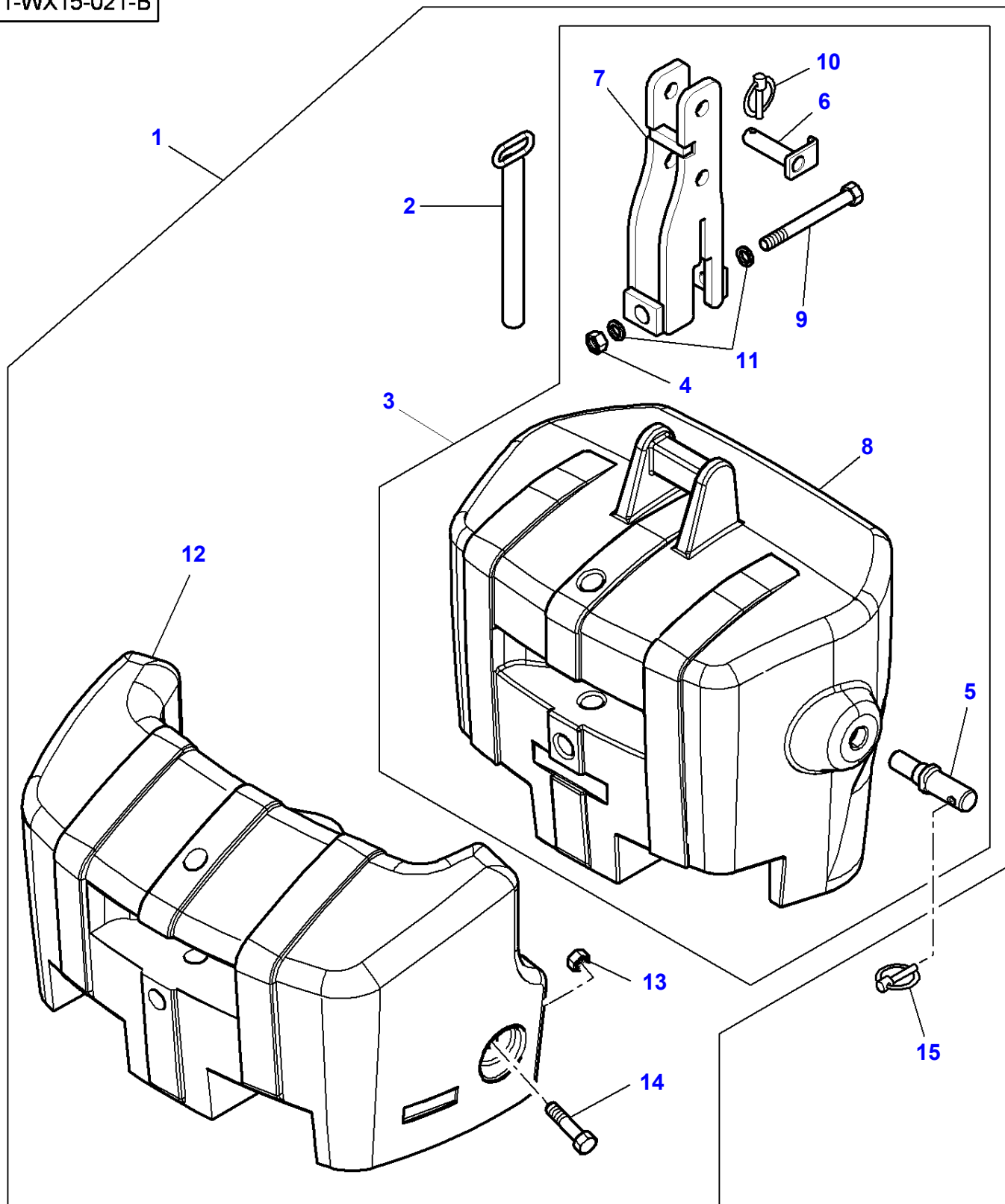
1-WX15-020-A



Massey Ferguson**MF 8470/8480 TRACTOR (TIER 3) - 3906071****3906071****Page060-0030****Weight Frame And Tow Pin**

Item	Part Number	Qty	Description	Comments
1	4286536M91	1	Weight	900KG
2	3009746X1	1	Nut	(1) M20
3	3011273X1	1	Hex. Sock. Screw	(1) M20 X 180
4	4290275M1	2	Clevis Pin	(1) 28 MM
5	4290274M1	1	Clevis Pin	(1) 25.4 X 91
6	4290279M1	1	Pin	(1) 8 MM
7		1	Weight	(1) Ref. 1 900KG
8	390975X1	2	Flat Washer	(1) 20 MM
9	4290273M1	1	Support	(1)
10	3792034M1	2	Pin	10,5

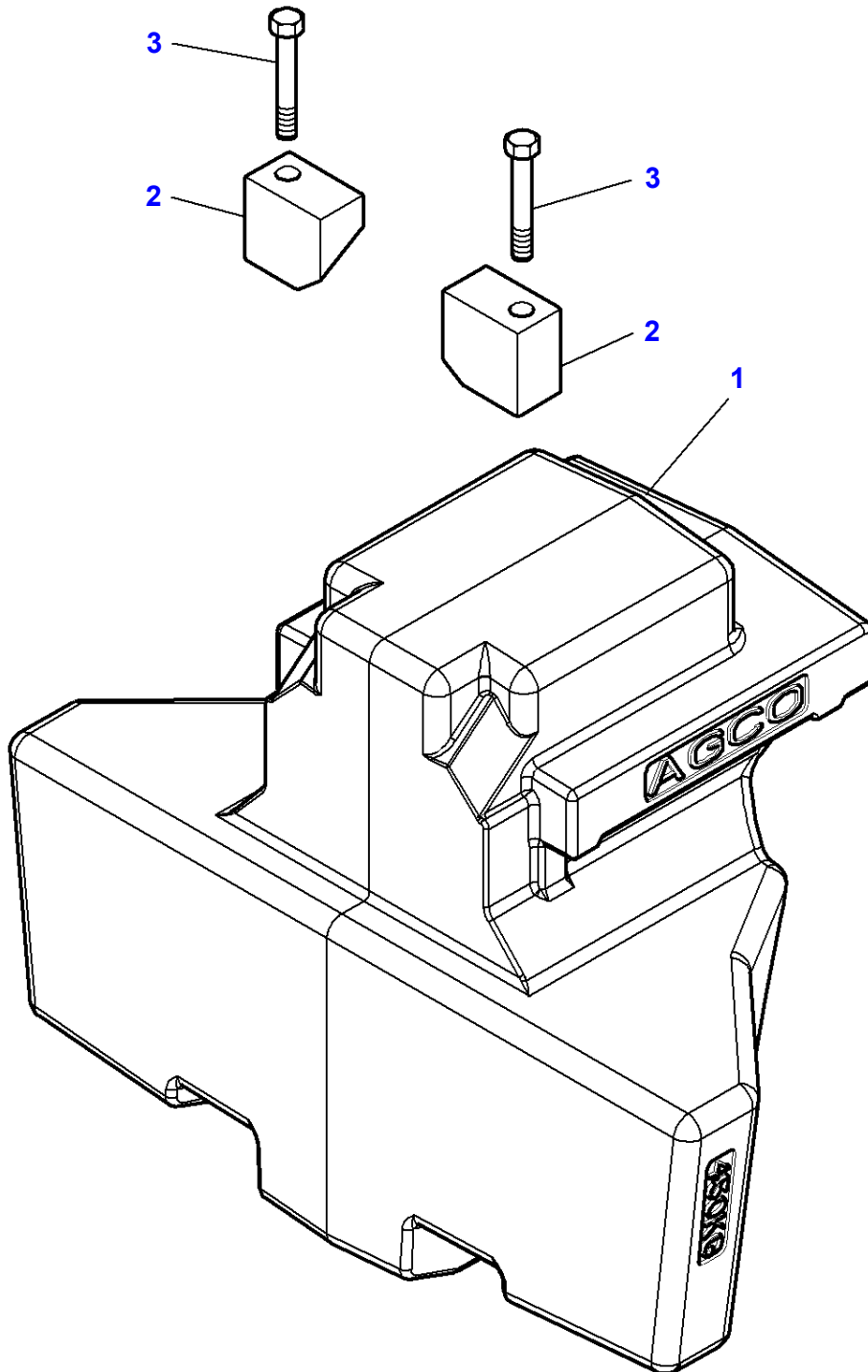
1-WX15-021-B



Massey Ferguson**MF 8470/8480 TRACTOR (TIER 3) - 3906071****3906071****Page060-0035****Weight Frame And Tow Pin**

Item	Part Number	Qty	Description	Comments
1	4285764M91	1	Weight	1500KG
2	4290276M1	1	Clevis Pin	(1) 32 MM
3	4286536M91	1	Weight	(1) 900KG
4	3009746X1	1	Nut	(3) M20
5	4290275M1	2	Clevis Pin	(3)
6	4290274M1	1	Clevis Pin	(3) 25.4 X 91
7	4290273M1	1	Support	(3)
8		1	Weight	(3) Ref. 3 900KG
9	3011273X1	1	Hex. Sock. Screw	(3) M20 X 180
10	4290279M1	1	Pin	(3) 8 MM
11	390975X1	2	Flat Washer	(3) 20 MM
12	3907699M1	1	Weight	(1) 600KG
13	3009746X1	2	Nut	(1) M20
14	3011383X1	2	Hex. Sock. Screw	(1) M20 X 80
15	3792034M1	2	Pin	10,5 MM

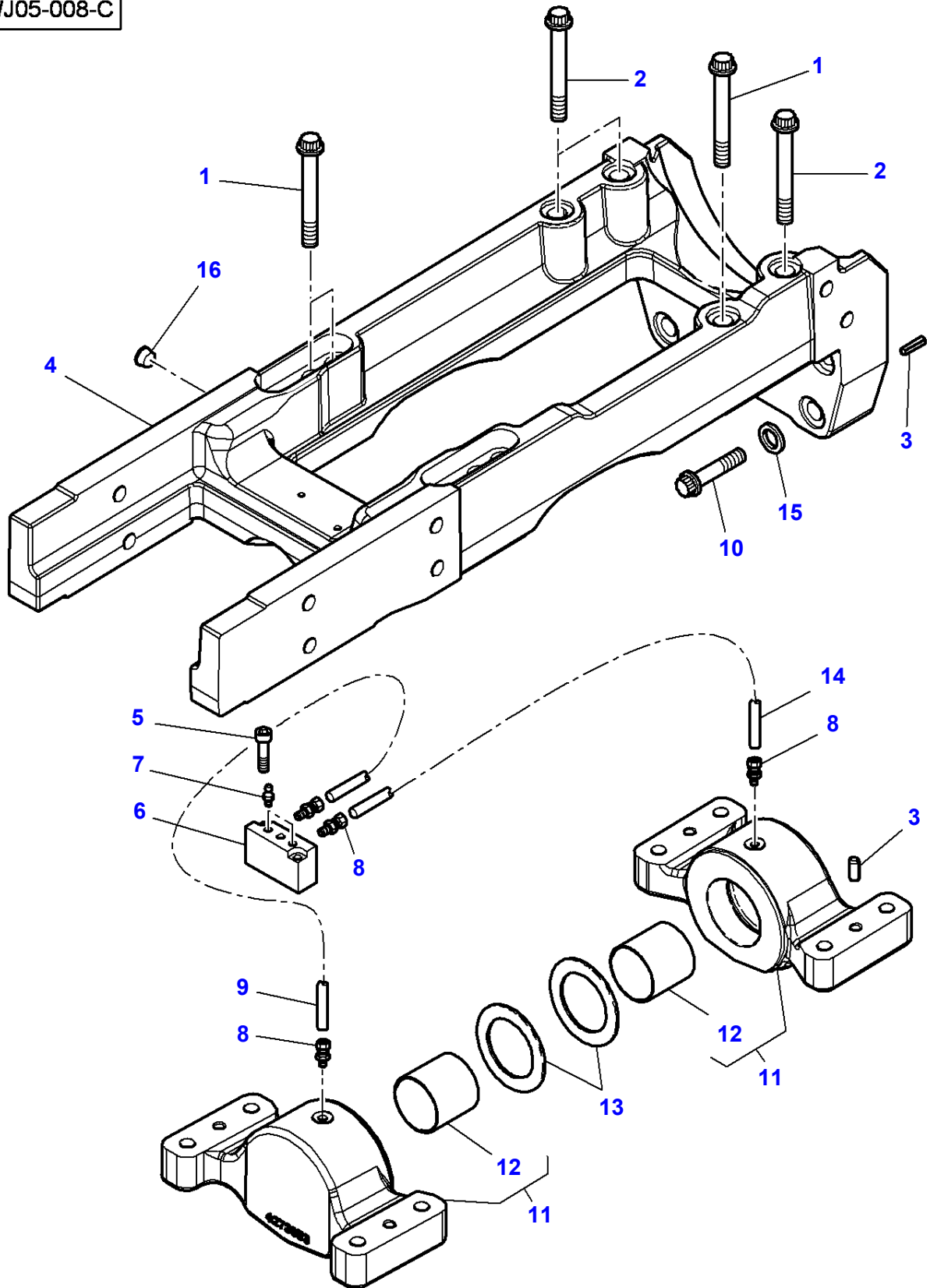
1-WJ07-011-A



Massey Ferguson**MF 8470/8480 TRACTOR (TIER 3) - 3906071****3906071****Belly Weight****Page060-0040**

Item	Part Number	Qty	Description	Comments
1	4280120M1	1	Weight	450 KGS
2	3779514M2	1	Bridle	
	3779515M2	1	Bridle	
3	3011422X1	2	Screw	M16 X 175

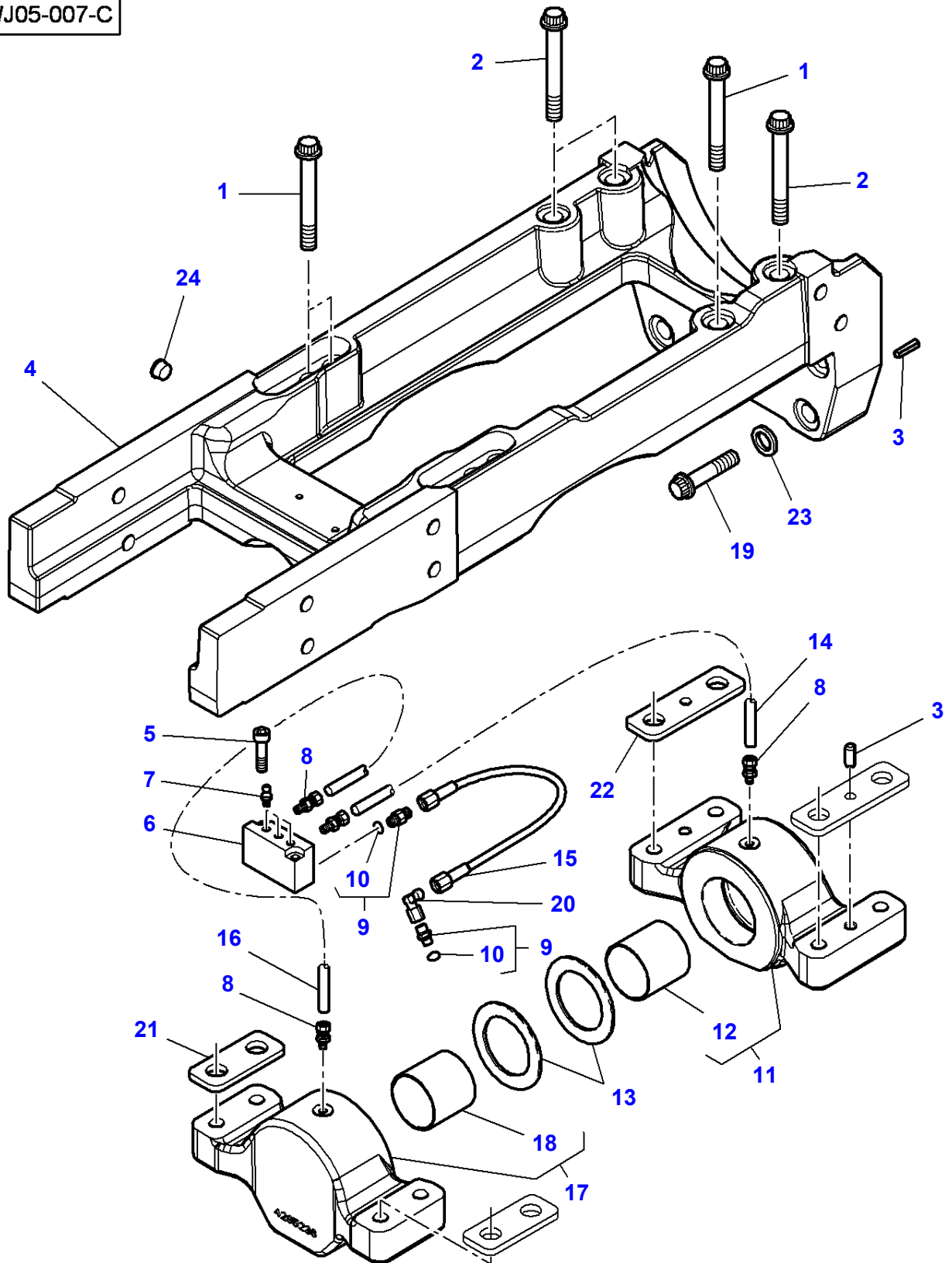
1-WJ05-008-C



Massey Ferguson**MF 8470/8480 TRACTOR (TIER 3) - 3906071****3906071****Front Axle 4 Wheel Drive - Bracket - Front Axle Fixed****Page060-0045**

Item	Part Number	Qty	Description	Comments
1	3011194X1	5	Screw	M20 X 150
2	3010850X1	3	Screw	M20 X 170
3	372081X1	4	Dowel	
4	4273650M1	1	Axle Holder	
5	3004715X1	2	Screw	M8 X 60
6	4280425M1	1	Support	
7	339608X1	2	Grease Nipple	
8	3002070X91	4	Union	
9	4280413M1	1	Tube	
10	3010557X1	4	Screw Metric	M20 X 100
11	4280122M12	2	Bearing Carrier	
12	3787722M2	1	Bush	(11)
13	4280123M2	2	Thrust Washer	
14	4280361M2	1	Tube	
15	385365X1	4	Washer	M20
16	3011767X1	X	Plug	18.8 MM

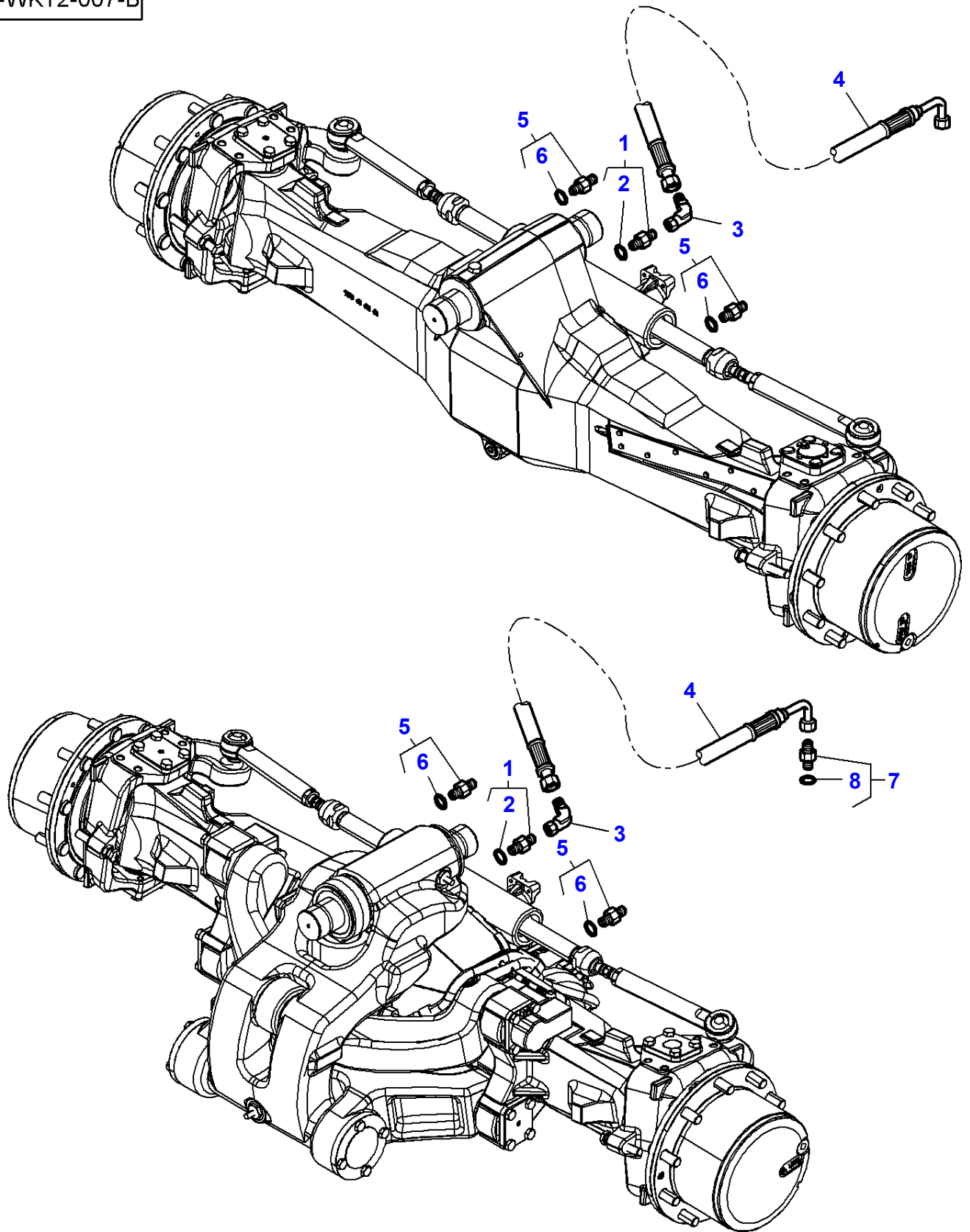
1-WJ05-007-C



Massey Ferguson**MF 8470/8480 TRACTOR (TIER 3) - 3906071****3906071****Front Axle 4 Wheel Drive - Bracket - With Suspended Front Axle****Page060-0050**

Item	Part Number	Qty	Description	Comments
1	3011194X1	5	Screw	M20 X 150
2	3010850X1	3	Screw	M20 X 170
3	372081X1	4	Dowel	1"
	372082X1	2	Dowel	1.25"
4	4273650M1	1	Axle Holder	
5	3004715X1	2	Screw	M8 X 60
6	4280425M1	1	Support	
7	339608X1	3	Grease Nipple	
8	3002070X91	4	Union	
9	338906X91	2	Union	M10X1 6L
10	338760X1	1	O Ring	(9)
11	4280122M12	1	Bearing Carrier	
12	3787722M2	1	Bush	(11)
13	4280123M2	2	Thrust Washer	
14	4280361M2	1	Tube	
15	4280363M2	1	Hydr. Hose	
16	4280362M2	1	Tube	
17	4285237M11	1	Axle Carrier	
18	3787722M2	1	Bush	(17)
19	3010557X1	4	Screw Metric	M20 X 100
20	3011771X91	1	Union	
21	4287653M1	2	Chock	8 MM
22	4287654M1	2	Chock	8 MM
23	385365X1	4	Washer	M20
24	3011767X1	X	Plug	18.8 MM

1-WK12-007-B

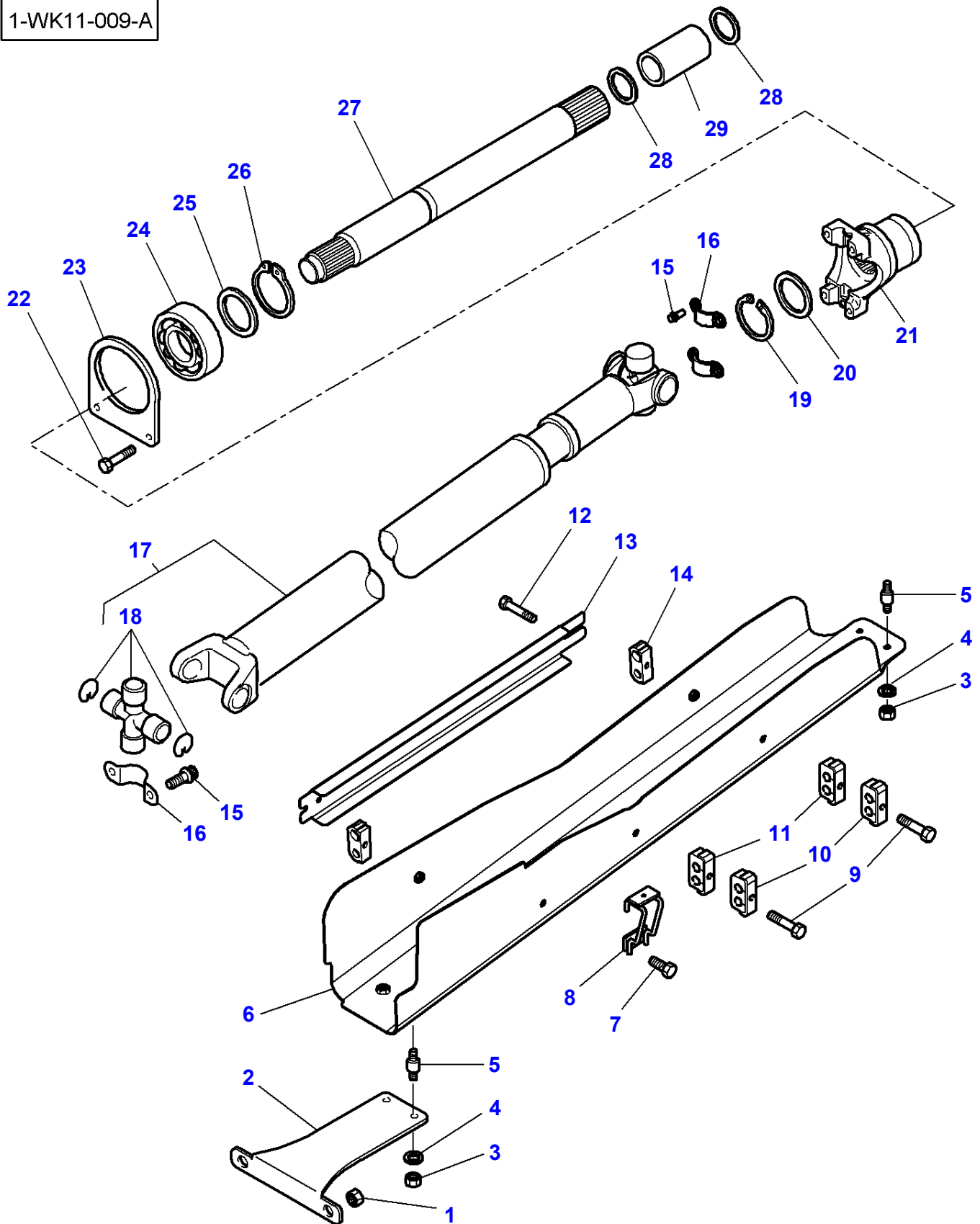


Massey Ferguson**MF 8470/8480 TRACTOR (TIER 3) - 3906071****3906071****Front Axle 4 Wheel Drive - Differential Lock Mechanism****Page060-0055**

Item	Part Number	Qty	Description	Comments
1	3011047X91	1	Union	M14X1.5 10L
2	F916.961.020.190	1	O Ring	(1)
3	4280507M1	1	Union	
4	4276146M2	1	Hydr. Hose	3700 MM
5	3011246X91	2	Union	M18X1.5
6	3015163X1	1	O Ring	(5)
7	3011619X91	1	Union	
8	338762X1	1	Seal	(7)

MF 8470/8480 TRACTOR (TIER 3) - 3906071
1-WK11-009-A

1-WK11-009-A

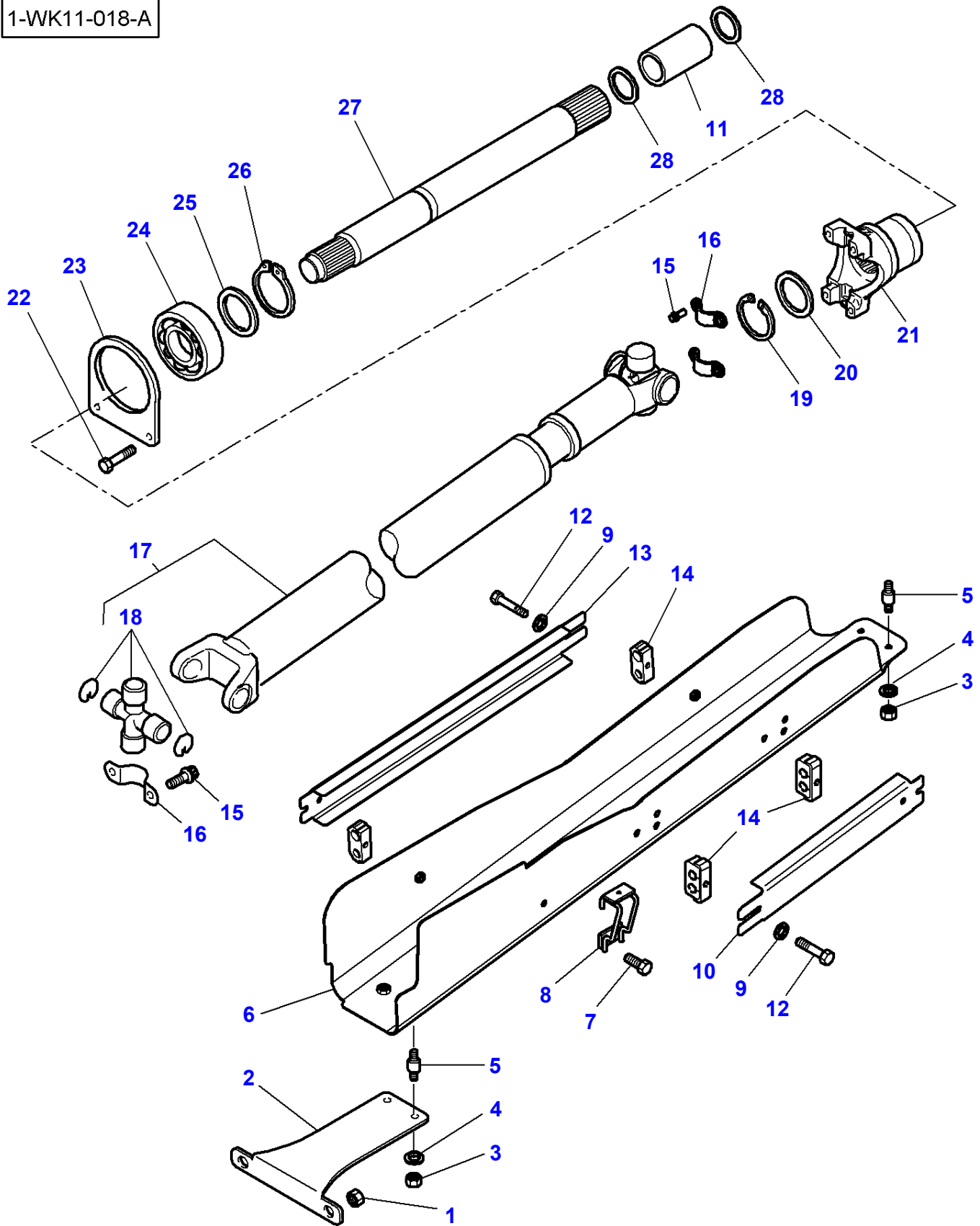


Massey Ferguson**MF 8470/8480 TRACTOR (TIER 3) - 3906071****3906071****Guard And Transmission Shaft****Page060-0060**

Item	Part Number	Qty	Description	Comments
1	3010349X1	2	Nut	M14
2	4280117M1	1	Support	
3	339169X1	4	Nut	M8
4	390972X1	4	Flat Washer	
5	658081M2	4	Damper	
6	4280118M1	1	Cowl	
7	3009192X1	1	Screw Metric	M8 X 16
8	4285302M1	1	Guide	
9	390246X1	2	Bolt	[A] M8 X 70
10	3781937M1	2	Bridle	[A] 16-18
11	3781908M1	2	Bridle	[A]
12	3009198X1	2	Carriage Bolt	M8 X 45
13	3789475M1	1	Cowl	
14	3789441M1	4	Bridle	13.5-18
15	4277509M1	8	Screw	
16	4277510M1	4	Bridle	
17	4280128M91	1	Universal Joint	
18	3907427M91	1	Spider	(17)
19	1441786X1	1	Circlip	
20	822.100.320.060	1	Ring	
21	4280129M1	1	Clevis	
22	392892X1	2	Hex. Sock. Screw	M10 X 35
23	3789032M1	1	Bridle	
24	339602X1	1	Bear. 6212 2rs	
25	X534.539.346.000	1	Backup Ring	
26	339605X1	1	Circlip	
27	903.100.320.011	1	Shaft	
28	3008359X1	2	O Ring	
29	916.101.320.100	1	Bush	

FOOTNOTE [A] WITH FRONT AXLE SUSPENDED

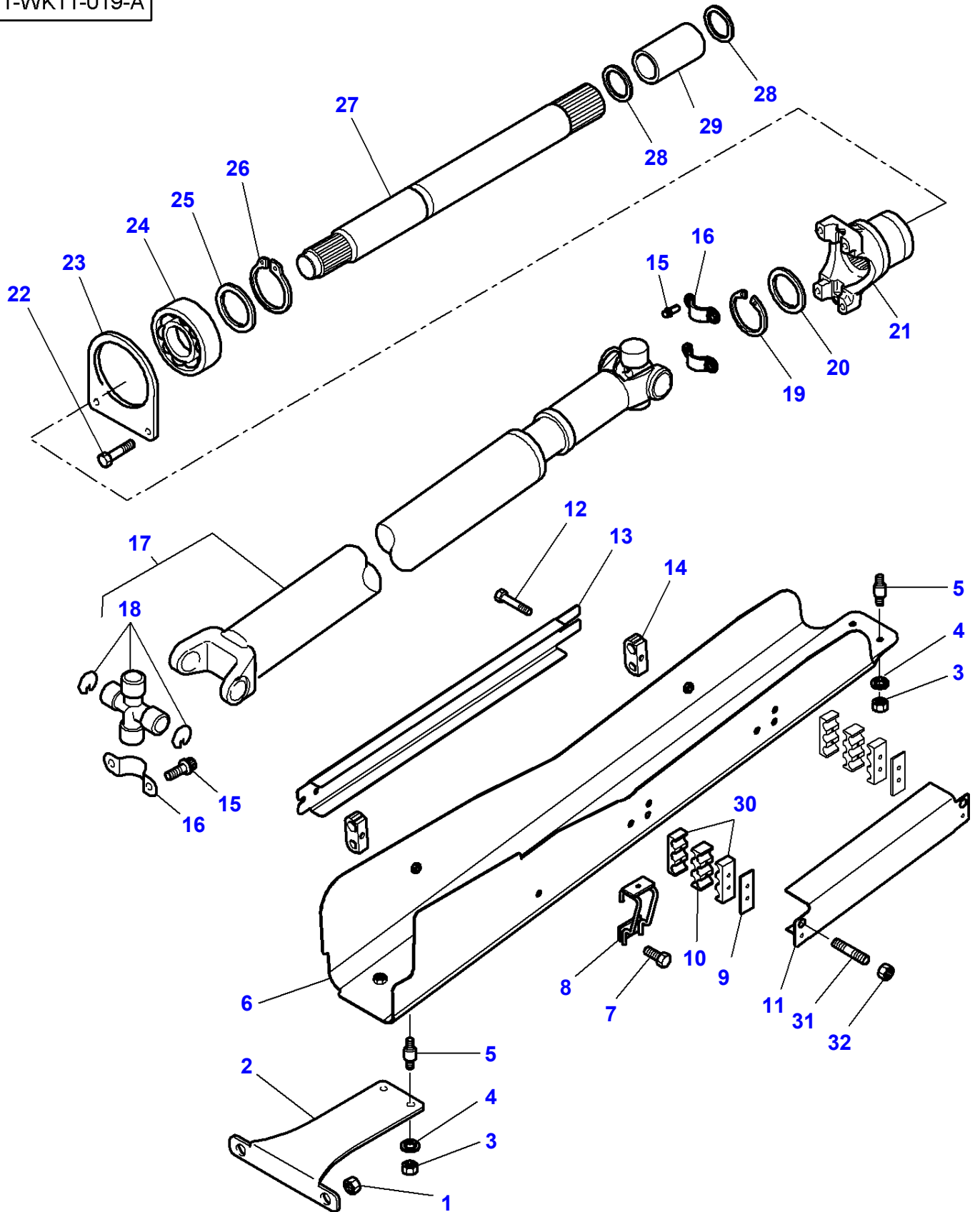
1-WK11-018-A



Massey Ferguson**MF 8470/8480 TRACTOR (TIER 3) - 3906071****3906071****Guard And Transmission Shaft - WITH FIXED FRONT AXLE FROM R292044****Page060-0065**

Item	Part Number	Qty	Description	Comments
1	3010349X1	2	Nut	M14
2	4280117M1	1	Support	R256025
	4288418M2	1	Support	R256026
3	339169X1	4	Nut	M8
4	390972X1	4	Flat Washer	
5	658081M2	4	Damper	
6	4280118M4	1	Cowl	
7	3009192X1	1	Screw Metric	M8 X 16
8	4285302M1	1	Guide	
9	385365X1	4	Washer	
10	4271023M3	1	Cowl	
11	916.101.320.100	1	Bush	
12	3009198X1	4	Carriage Bolt	M8 X 45
13	3789475M1	1	Cowl	
14	3789441M1	4	Bridle	13.5-18
15	4277509M1	8	Screw	
16	4277510M1	4	Bridle	
17	4280128M91	1	Universal Joint	
18	3907427M91	1	Spider	(17)
19	1441786X1	1	Circlip	
20	822.100.320.060	1	Ring	
21	4280129M1	1	Clevis	
22	392892X1	2	Hex. Sock. Screw	M10 X 35
23	3789032M1	1	Bridle	
24	339602X1	1	Bear. 6212 2rs	
25	X534.539.346.000	1	Backup Ring	
26	339605X1	1	Circlip	
27	903.100.320.011	1	Shaft	
28	3008359X1	2	O Ring	

1-WK11-019-A



Massey Ferguson**MF 8470/8480 TRACTOR (TIER 3) - 3906071**

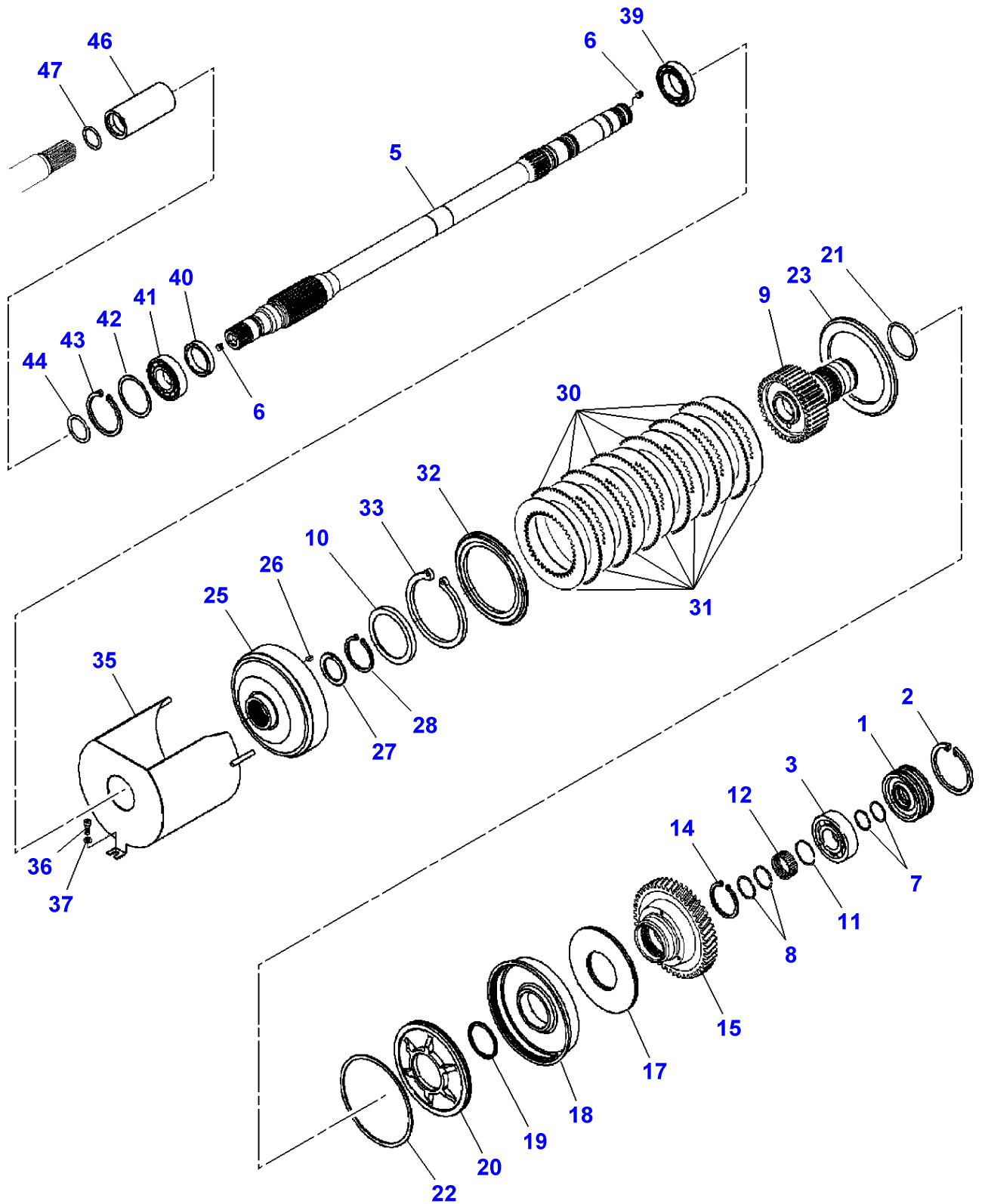
3906071

Guard And Transmission Shaft - With Suspended Front Axle From R292044

Page060-0070

Item	Part Number	Qty	Description	Comments
1	3010349X1	2	Nut	M14
2	4288418M2	1	Support	
3	339169X1	4	Nut	M8
4	390972X1	4	Flat Washer	
5	658081M2	4	Damper	
6	4280118M4	1	Cowl	
7	3009192X1	1	Screw Metric	M8 X 16
8	4285302M1	1	Guide	
9	4276220M1	2	Plate	
10	4272808M1	2	Bridle	
11	4275683M2	1	Cowl	
12	3009198X1	2	Carriage Bolt	M8 X 45
13	3789475M1	1	Cowl	
14	3789441M1	4	Bridle	13.5-18
15	4277509M1	8	Screw	
16	4277510M1	4	Bridle	
17	4280128M91	1	Universal Joint	
18	3907427M91	1	Spider	(17)
19	1441786X1	1	Circlip	
20	822.100.320.060	1	Ring	
21	4280129M1	1	Clevis	
22	392892X1	2	Hex. Sock. Screw	M10 X 35
23	3789032M1	1	Bridle	
24	339602X1	1	Bear. 6212 2rs	
25	X534.539.346.000	1	Backup Ring	
26	339605X1	1	Circlip	
27	903.100.320.011	1	Shaft	
28	3008359X1	2	O Ring	
29	916.101.320.100	1	Bush	
30	4276219M1	4	Bridle	
31	3011629X1	4	Stud	
32	339030X1	4	Nut	

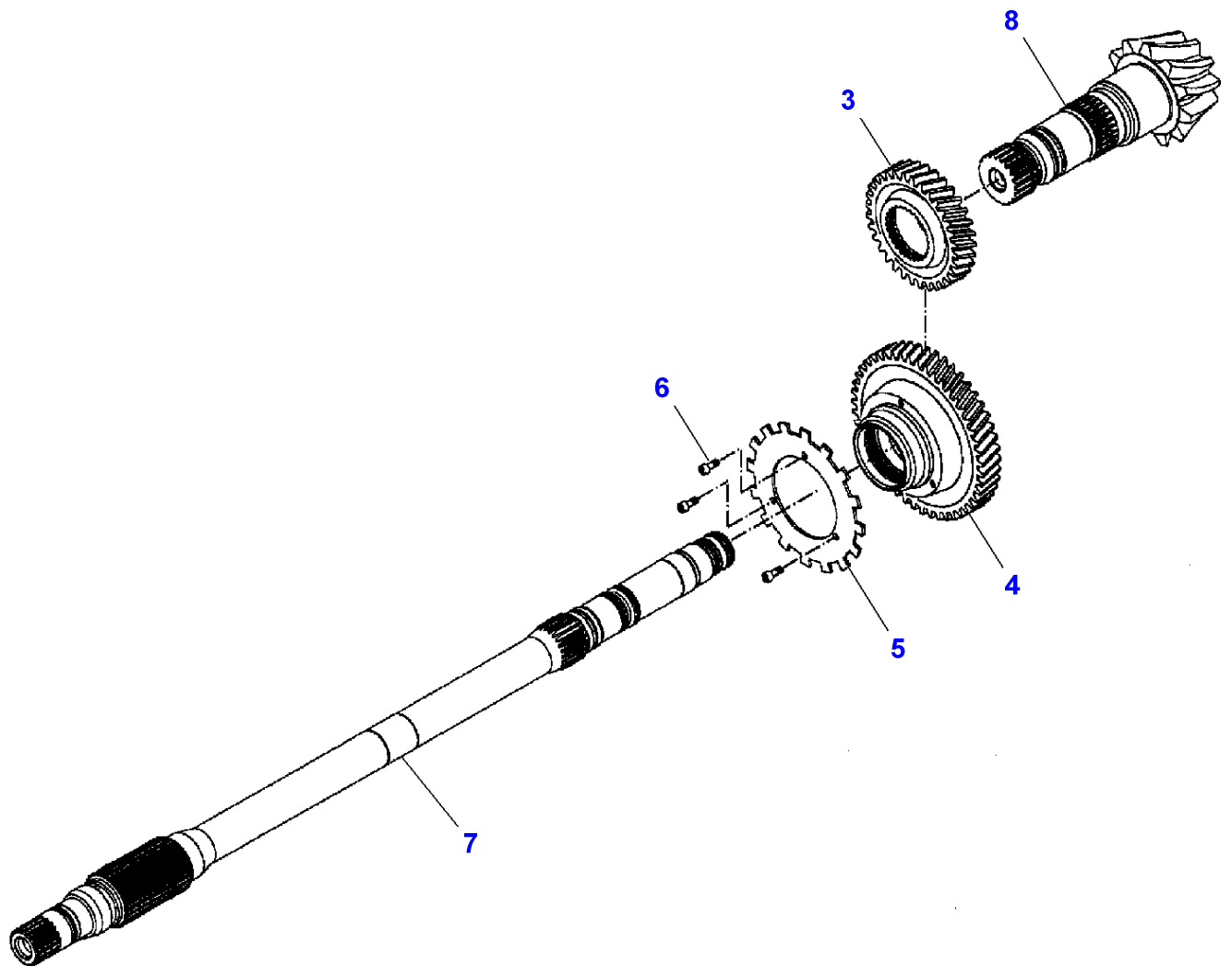
1-WK15-011-A



Front Axle 4 Wheel Drive - Clutch

Item	Part Number	Qty	Description	Comments
1	916.100.320.080	1	Cover	
2	X530.108.346.000	1	Circlip	
3	X620.414.500.001	1	Roller Bearing	
5	916.100.320.070	1	Shaft	
6	X412.823.006.000	2	Grub Screw	M10 X 10
7	X560.703.600.000	2	Plain Compr.Ring	
8	X560.703.700.000	2	Plain Compr.Ring	
9	916.101.320.151	1	Disc Carrier	
10	916.100.410.060	1	Sheet Metal	
11	X533.813.400.000	1	Snapping	47 X 1,5
12	X638.525.149.000	1	Needle Cage	42 X 47 X 17
14	X530.216.846.000	1	Circlip	63 X 3
15		1	Pinion	060-0080/4
17	G916.100.320.010	1	Kit, Spring	
18	916.100.320.161	1	Piston	
19	916.100.320.170	1	Support Cover	
20	916.101.320.120	1	Disc	
21	X548.949.815.000	1	O Ring	67 X 2,5
22	916.100.320.110	1	Oil Seal	
23	916.100.320.131	1	Plate	
25	916.100.320.010	1	Clutch Housing	
26	X500.615.046.000	1	Roll Pin	4 X 10
27	916.100.320.040	1	Disc	
28	X531.206.800.000	1	Circlip	65 X 2,5
30	822.100.010.130	6	External Disc	
31	822.100.010.120	7	Internal Disc	
32	916.100.320.140	1	Plate	
33	X530.209.700.000	1	Circlip	130 X 4
35	H916.100.320.010	1	Protection.	
36	X487.526.841.000	1	Screw	M8 X 16
37	X450.006.308.000	1	Washer	
39	X606.705.900.000	1	Ball Bearing	
40	X550.108.900.000	1	Shaft Seal	50 X 65 X 8
41	H312.100.200.100	1	Bear. 6208 2rs	
42	015.149.020.035	1	Shim	1,00 MM
	015.149.020.030	X	Shim	0,10 MM
	015.149.020.036	X	Shim	0,15 MM
	015.149.020.031	X	Shim	0,20 MM
	015.149.020.032	X	Shim	0,40 MM
43	X530.107.446.000	1	Circlip	80 X 2,5
44	X548.901.801.000	1	O Ring	36,2 X 3
46	916.101.320.100	1	Bush	
47	X548.901.801.000	1	O Ring	36,2 X 3

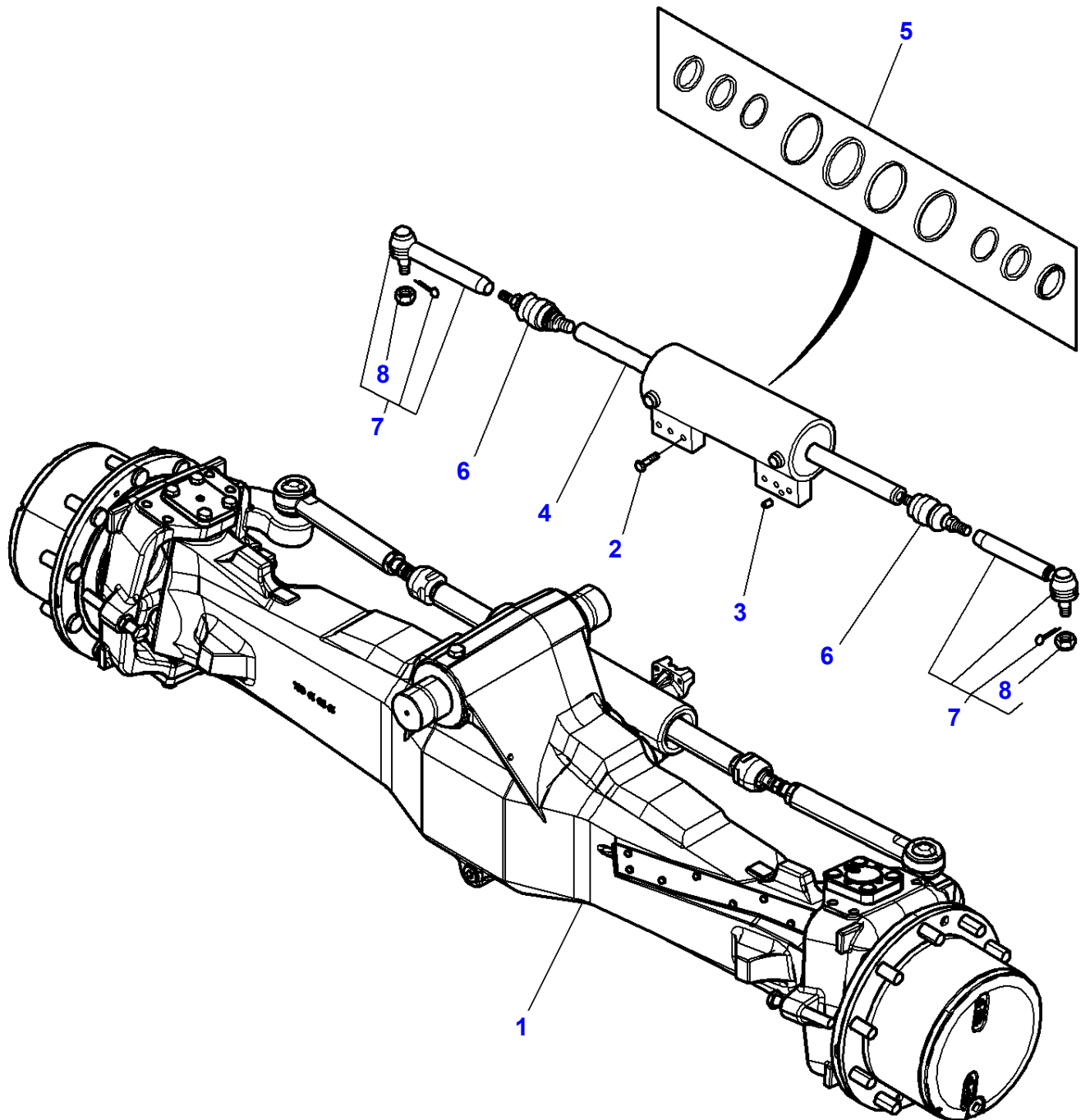
1-WK15-012-A



Massey Ferguson**MF 8470/8480 TRACTOR (TIER 3) - 3906071****3906071****Front Axle 4 Wheel Drive - Clutch****Page060-0080**

Item	Part Number	Qty	Description	Comments
3	903.101.380.011	1	Spur Gear	32
4	903.101.380.021	1	Spur Gear	
5	916.100.380.100	1	Gear	
6	X485.004.700.000	3	Hex. Sock. Screw	M16 X 10
7		1	Shaft	060-0075/5
8		1	Pinion Shaft	030-0050/18

1-WK01-006-B

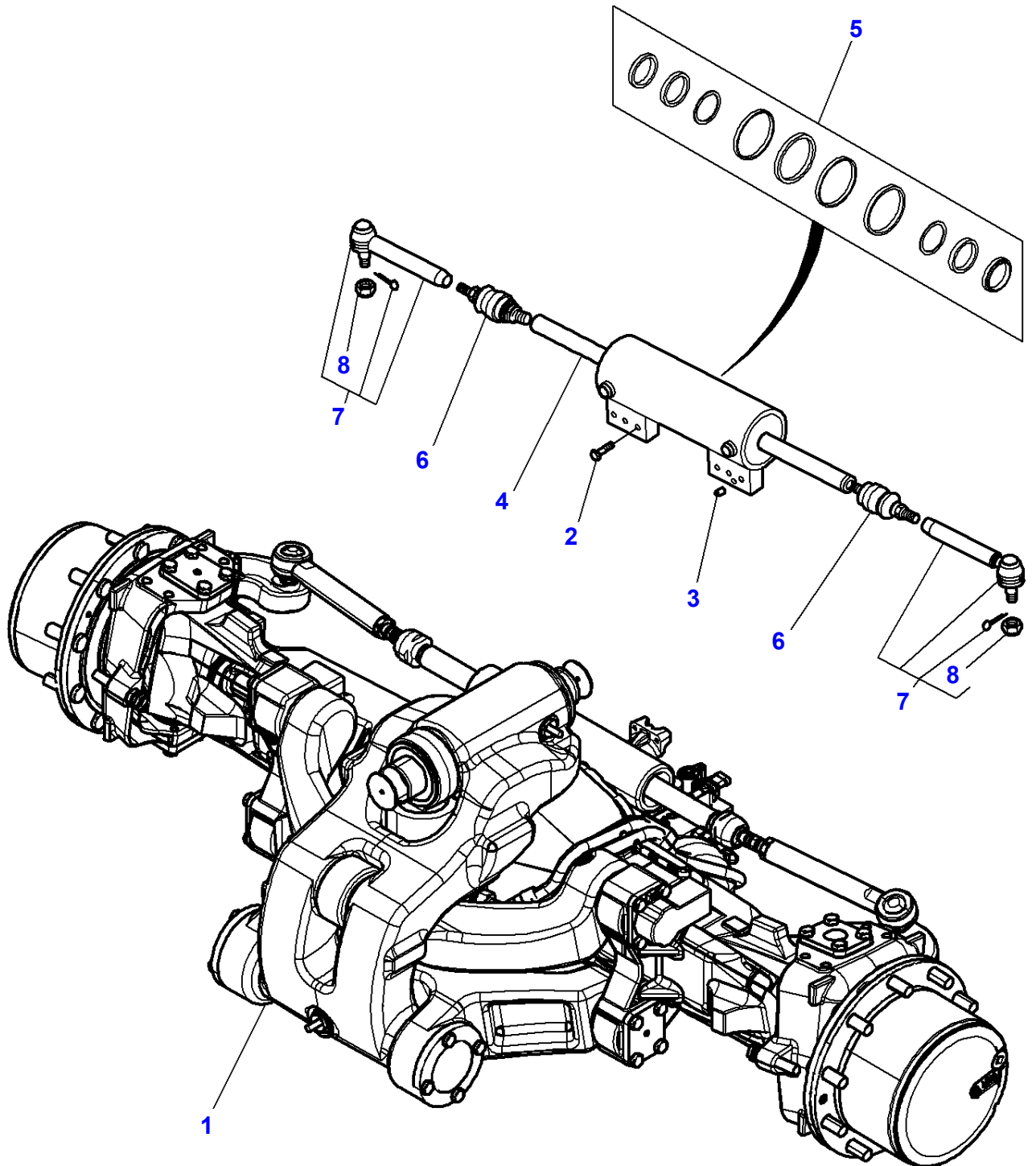


Massey Ferguson**MF 8470/8480 TRACTOR (TIER 3) - 3906071****3906071****Page060-0085****Front Axle 4 Wheel Drive**

Item	Part Number	Qty	Description	Comments
1	3766280M96	1	Front Live Axle	TYPE AG 280
2	3765902M1	6	Screw	
3	3764700M1	1	Dowel	
4	3765844M91	1	Steering Cyl	[A]
5	3765904M91	1	Kit, Seal	(4)
6	3765843M91	2	Ball Joint	
7	3765842M91	2	Toggle	
8	3907688M1	1	Nut	(7) M27 x 1.5

FOOTNOTE [A] NOT DETAILED

1-WK01-009-A

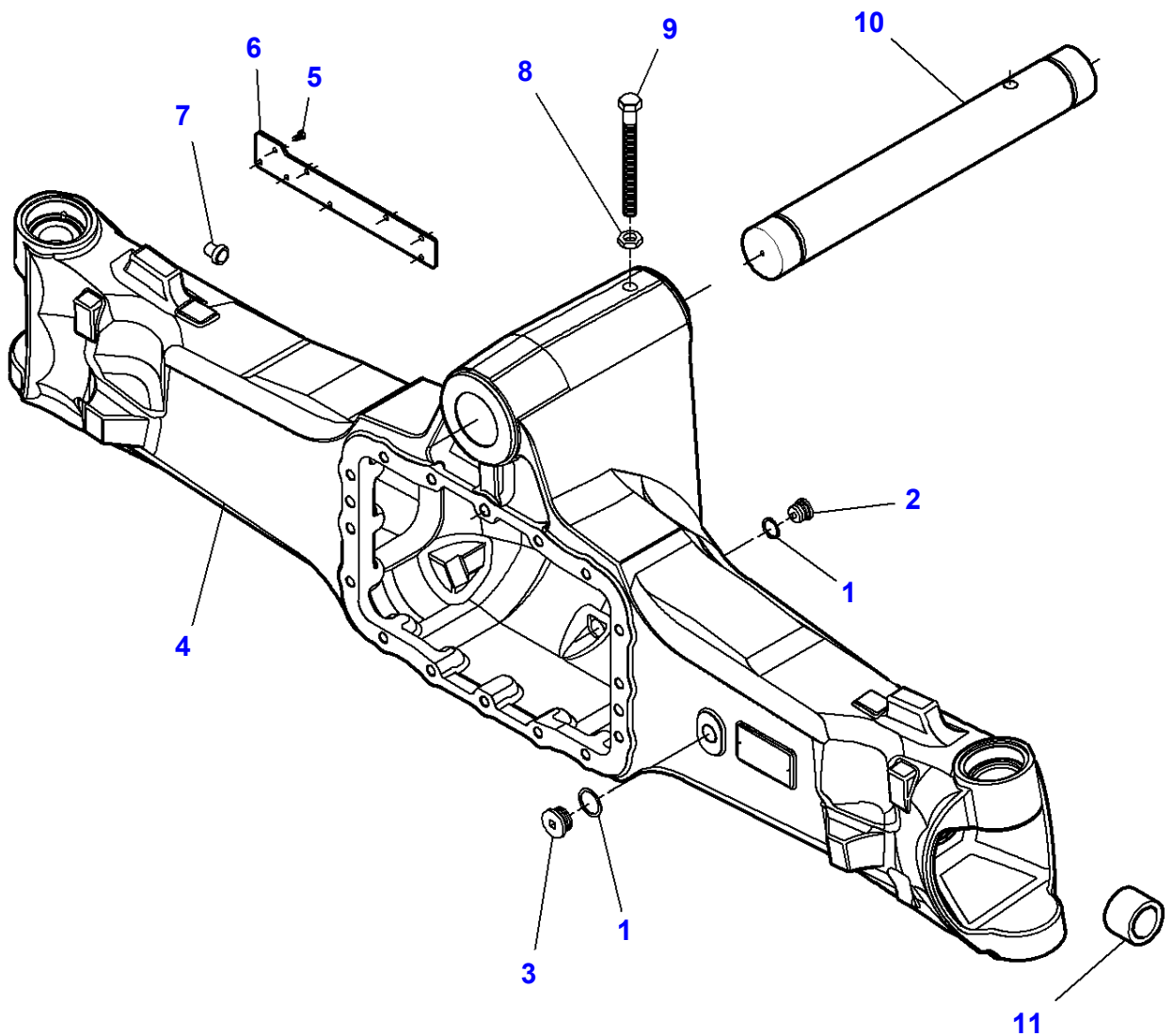


Massey Ferguson**MF 8470/8480 TRACTOR (TIER 3) - 3906071****3906071****Front Axle 4 Wheel Drive - With Suspended Front Axle****Page060-0090**

Item	Part Number	Qty	Description	Comments
1	4273651M97	1	Front Live Axle	TYPE 760/601
2	3765902M1	6	Screw	
3	3764700M1	1	Dowel	
4	3765844M91	1	Steering Cyl	[A]
5	3765904M91	1	Kit, Seal	(4)
6	3765843M91	2	Ball Joint	
7	3765842M91	2	Toggle	
8	3907688M1	1	Nut	(7) M27 x 1.5

FOOTNOTE [A] NOT DETAILED

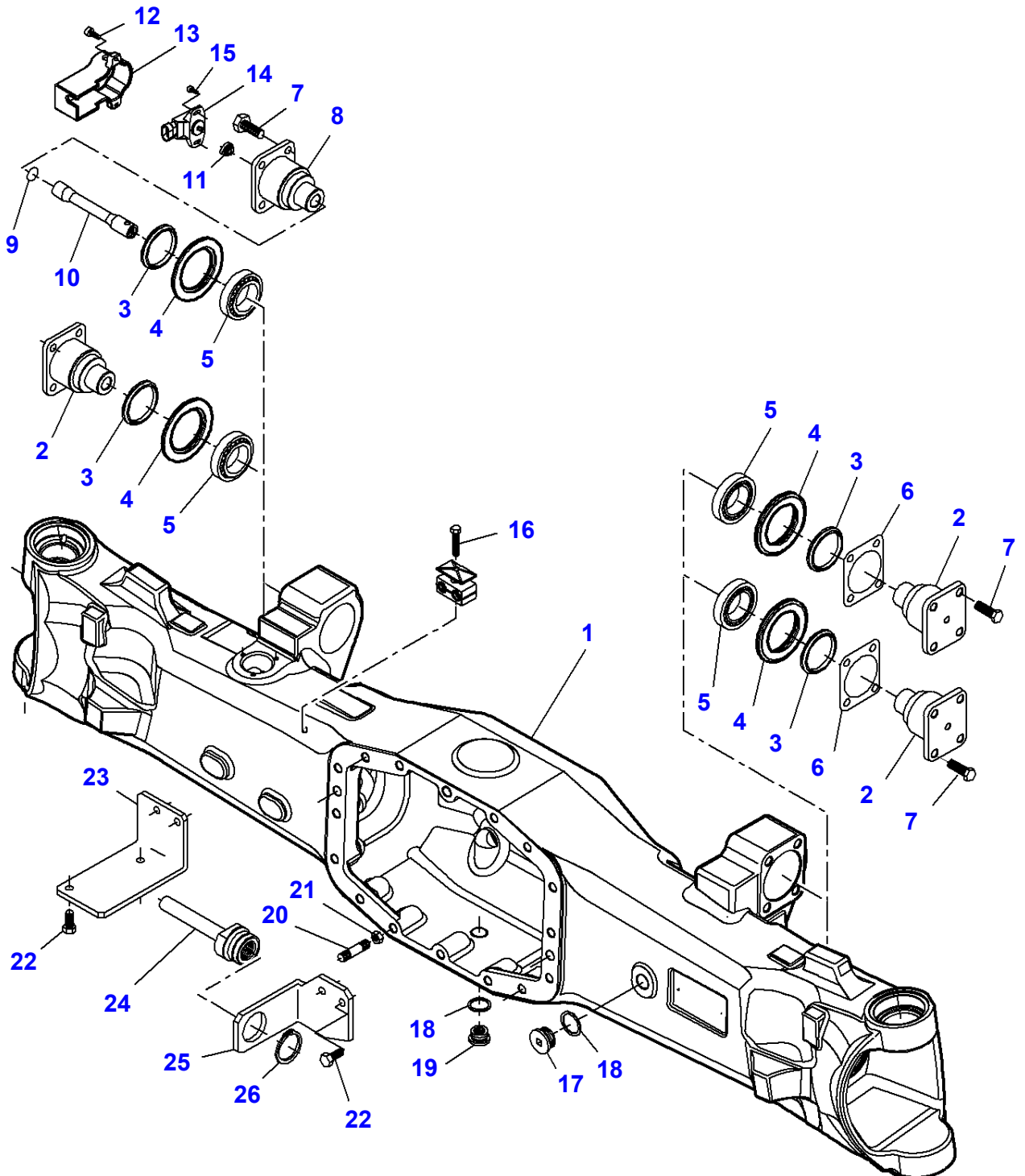
1-WK03-006-B



Massey Ferguson**MF 8470/8480 TRACTOR (TIER 3) - 3906071****3906071****Front Axle 4 Wheel Drive - Housing - Front Axle Fixed****Page060-0095**

Item	Part Number	Qty	Description	Comments
1	X540.007.678.000	2	Ring	
2	385.300.020.130	1	Plug	
3	00065060	1	Plug	
4	7600170308	1	Housing	7600170302 7600170305 7600170306
5	000054058	8	Screw	
6	7500604201	1	Protection.	
7	7500604301	1	Bush	R083040
8	006033208	1	Nut	
9	016033621	1	Screw	
10	7600101401	1	Clevis Pin	
11		X	Not Used	

1-WK03-009-A



Massey Ferguson**MF 8470/8480 TRACTOR (TIER 3) - 3906071**

3906071

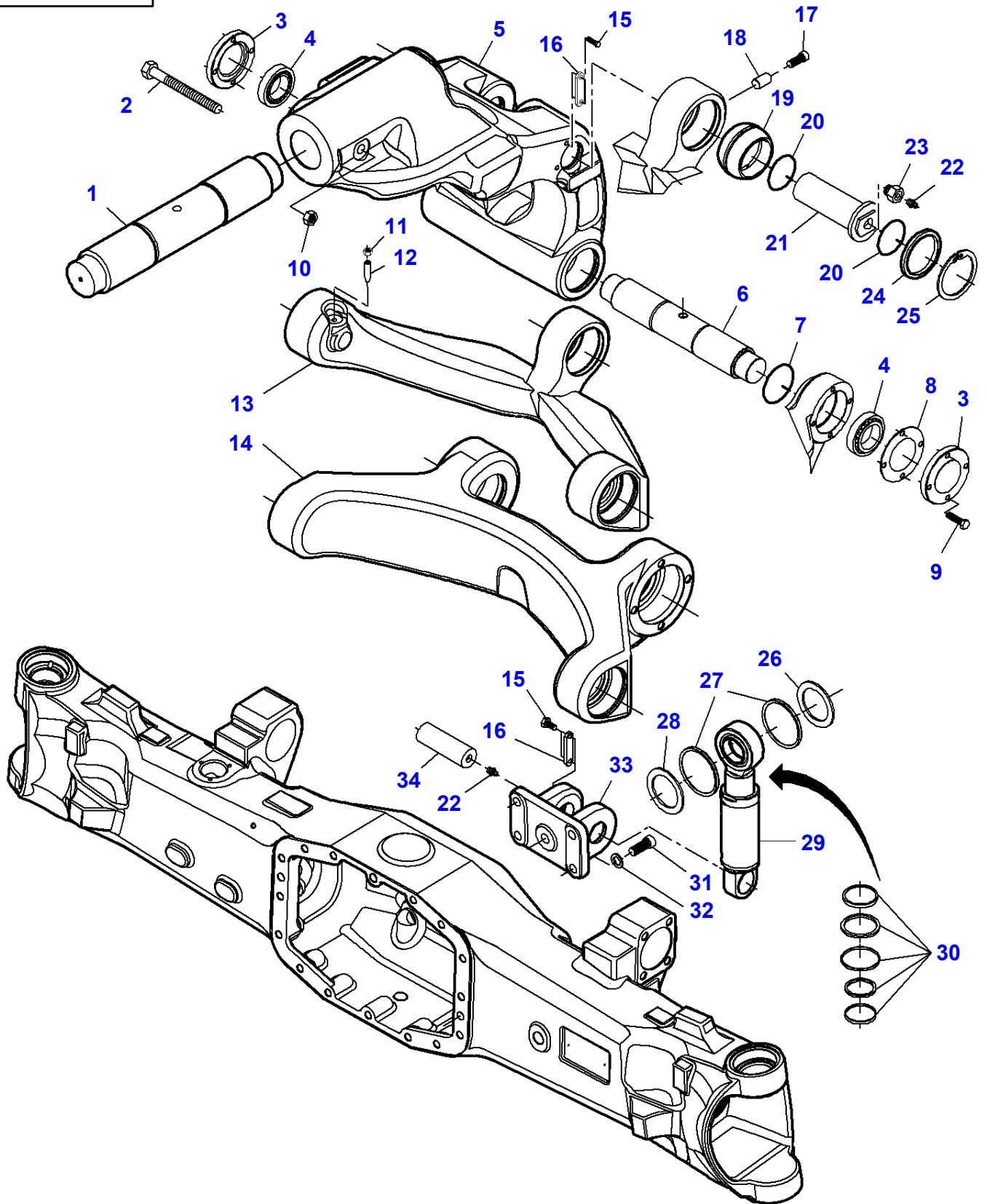
Front Axle 4 Wheel Drive - Housing - With Suspended Front Axle

Page060-0100

Item	Part Number	Qty	Description	Comments
1	7600170505	1	Housing	
2	7600102502	3	Clevis Pin	
3	7300104701	4	Seal	
4	7300104601	4	Bearing Flange	
5	005103691	4	Bearing Assy	
6	F718.301.020.290	2	Disc	0.2 MM
	F718.301.020.300	2	Disc	0.5 MM
7	016011027	18	Screw	
8	7600102602	1	Clevis Pin	
9	001051584	1	O Ring	
10	7600102902	1	Clevis Pin	
11	7300105101	1	Gasket	
12	016010368	2	Screw	
13	7600104301	1	Helmet	
14	7300160101	1	Switch,Indirect	
15	3765539M1	2	Screw	
16	016030718	1	Screw	
17	000065060	1	Plug	
18	X540.007.678.000	2	Ring	
19	385.300.020.130	1	Plug	
20		X	Not Used	
21		X	Not Used	
22	016010373	6	Screw	
23	7600402101	1	Stirrup	
24	7602601002	1	Tube	
25	7600402201	1	Stirrup	
26	002010076	1	Circlip	

MF 8470/8480 TRACTOR (TIER 3) - 3906071
1-WK03-010-A

1-WK03-010-A



Massey Ferguson**MF 8470/8480 TRACTOR (TIER 3) - 3906071**

3906071

Front Axle 4 Wheel Drive - Housing - With Suspended Front Axle

Page060-0105

Item	Part Number	Qty	Description	Comments
1	7600102101	1	Clevis Pin	
2	016033621	1	Screw	
3	7600102302	2	Cover	
4	005090665	2	Bearing Assy	
5	7600101702	1	Support	
6	7600102401	1	Clevis Pin	
7	001051620	6	O Ring	
8	7600104001	1	Chock	0.20 MM
	7600104101	1	Chock	0.50 MM
9	016364178	8	Hex. Sock. Screw	
10	006033208	1	Nut	
11	006033580	1	Nut	
12	000235011A	1	Screw	
13	7600101801	1	Lever	
14	7600101902	1	Lever	
15	016010370	4	Screw M8 X 20
	339761X1	4	Bolt M8 X 25
16	7300105601	2	Tappet Plate
	7600104401	2	Tappet Plate
17	016252881	1	Screw	
18	7600103402	1	Pin Hitch	
19	7300104401	1	Toggle	
20	001053758	2	O Ring	
21	7600102201	1	Clevis Pin	
22	339003X1	2	Grease Nipple	
23	7600103501	1	Plug	
24	7300104501	2	Seal	
25	002020088	2	Thruster	
26	7600103302	1	Washer	
27	001113813	2	Bush	
28	7600103701	1	Washer	
29	7600160001	1	Ram	
30	7600145001	1	Kit, Facing	
31	016163810	4	Screw	
32	011043818	4	Washer	
33	7600102002	1	Support	
34	7600103101	1	Clevis Pin	

Massey Ferguson**MF 8470/8480 TRACTOR (TIER 3) - 3906071**

3906071

Front Axle 4 Wheel Drive - Differential - Front Axle Fixed

Page060-0110

Item	Part Number	Qty	Description	Comments
1	3764102M1	13	Screw	R083040
	3764102M1	15	Screw	R083041
2	011053790	16	Washer	
3	7600470501	1	Support	
4	3765787M1	1	Nut	
5	1444071X1	1	Hex. Sock. Screw	
6	3765786M1	1	Locking Plate	
7	014010327	1	Dowel	
8	001423359	1	Seal	
9	001423360	1	Seal	
10	3766055M1	1	O Ring	
11	3766054M1	1	Bush	
12	3766056M1	1	Circlip	
13	001051564	1	Bush	
14	3765836M1	1	Piston	
15	3765837M1	1	Ring	
16	014013773	2	Dowel	
17	3765039M1	1	Nut	
18	7600401701	1	Bush	
19	7600470401	1	Bridle	
20	017064171	2	Stud	
21	7600401201	1	Seal	
22	002021812	1	Snapping	
23	000137100	1	Bearing Assy	
24	3765901M1	1	O Ring	
25	1380401202	X	Spacer	5,80 MM 3765873M1
	1380401203	X	Spacer	5,83 MM 3765874M1
	1380401204	X	Spacer	5,86 MM 3765875M1
	1380401205	X	Spacer	5,89 MM 3765876M1
	1380401206	X	Spacer	5,92 MM
	1380401207	X	Spacer	5,95 MM
	1380401208	X	Spacer	5,98 MM 3765879M1
	1380401209	X	Spacer	6,01 MM 3765880M1
	1380401210	X	Spacer	6,04 MM 3765881M1
	1380401211	X	Spacer	6,07 MM 3765882M1
	1380401212	X	Spacer	6,10 MM 3765883M1
	1380401213	X	Spacer	6,13 MM 3765884M1
	1380401214	X	Spacer	6,16 MM 3765885M1
	1380401215	X	Spacer	6,19 MM
	1380401216	X	Spacer	6,22 MM 3765887M1
	1380401217	X	Spacer	6,25 MM
	1380401218	X	Spacer	6,28 MM 3765889M1
	1380401219	X	Spacer	6,31 MM 3765890M1
	1380401220	X	Spacer	6,34 MM 3765891M1
	1380401221	X	Spacer	6,37 MM 3765892M1
	1380401222	X	Spacer	6,40 MM 3765893M1
	1380401223	X	Spacer	6,43 MM 3765894M1
	1380401224	X	Spacer	6,46 MM 3765895M1
	1380401225	X	Spacer	6,49 MM 3765896M1
	1380401226	X	Spacer	6,52 MM 3765897M1

Massey Ferguson**MF 8470/8480 TRACTOR (TIER 3) - 3906071**

3906071

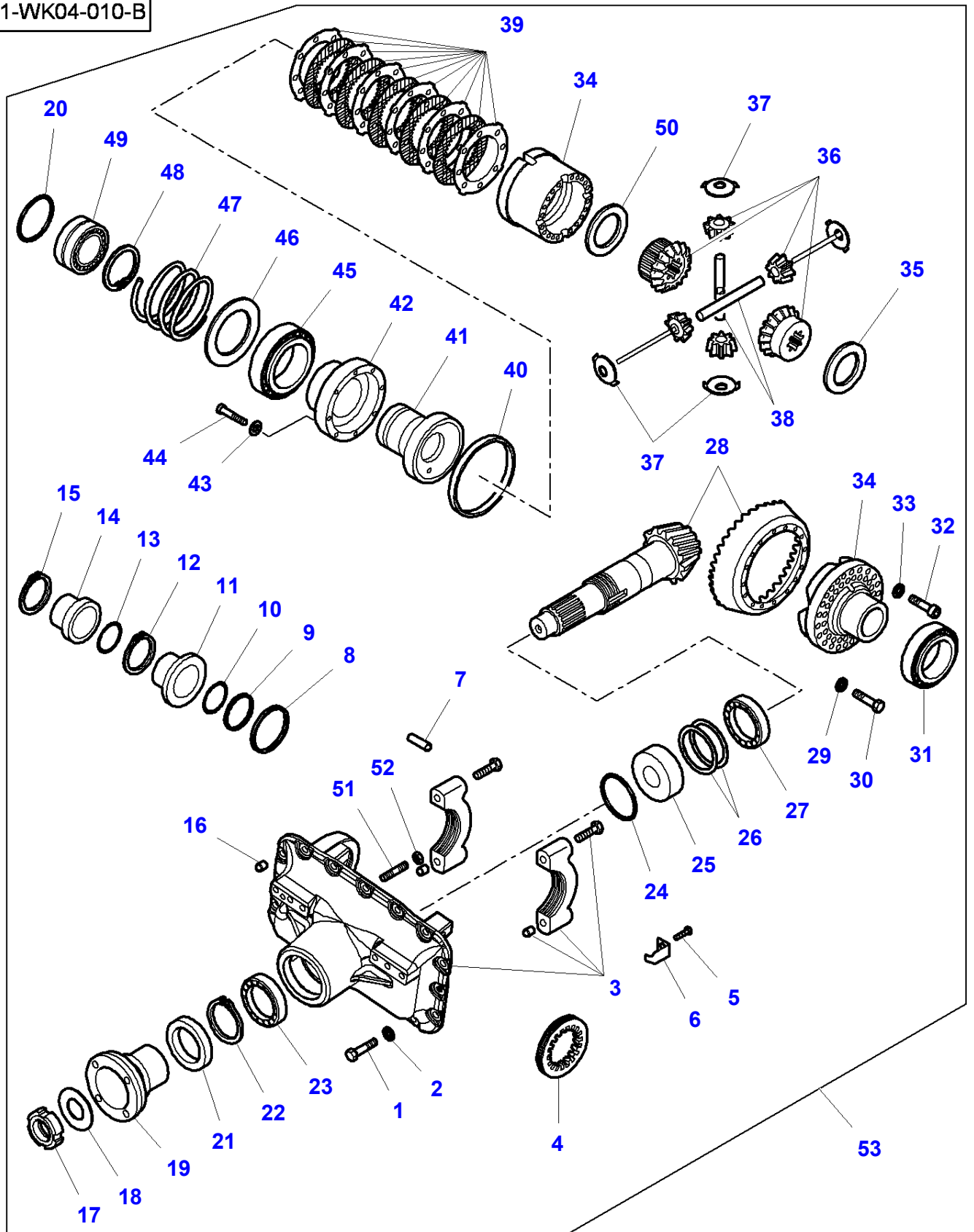
Front Axle 4 Wheel Drive - Differential - Front Axle Fixed

Page060-0110

Item	Part Number	Qty	Description	Comments
25	3765898M1	X	Spacer	6,55 MM
25	1380401228	X	Spacer	6,58 MM
				3765899M1
25	1380401229	X	Spacer	7,00 MM
				3765900M1
26	000245025A	X	Chock	0.10 MM
26	000245027A	X	Chock	0.30 MM
26	000245028A	X	Chock	0.50 MM
27	005093366	1	Bearing Assy	
28	7600450101	1	Kit, Bevel Gear	
29	011141455	18	Washer	
30	016010786	18	Screw	
31	005103365	1	Bearing Assy	
32	000057970	12	Screw	
33	011041318	12	Washer	
34	3766061M91	1	Housing	
35	000245680	1	Washer	
36	7600470201	1	Gear	
37	7600401401	4	Washer	
38	000215040A	2	Clevis Pin	
39	000727512A	1	Clutch Disc	
40	000139339	1	Bush	
41	7600400401	1	Bridle	
42	3766063M1	1	Cover	
43	011043431	18	Washer	
44	3766065M1	18	Screw	
45	G816.300.020.180	1	Cup And Cone	
46	000345621	3	Chock	0.50 MM
46	000345622	1	Chock	0.20 MM
46	000345623A	1	Chock	0.10 MM
47	7600400501	1	Spring	
48	002011794	1	Snapring	
49	005733367	1	Stop	
50	000245837	1	Washer	
51	7600101501	1	Stud	
52	006053774	1	Nut	
53	006011489	2	Nut	
54	7600440004	1	Kit,Differential	
55	001051421	1	O Ring	R083041

MF 8470/8480 TRACTOR (TIER 3) - 3906071
1-WK04-010-B

1-WK04-010-B



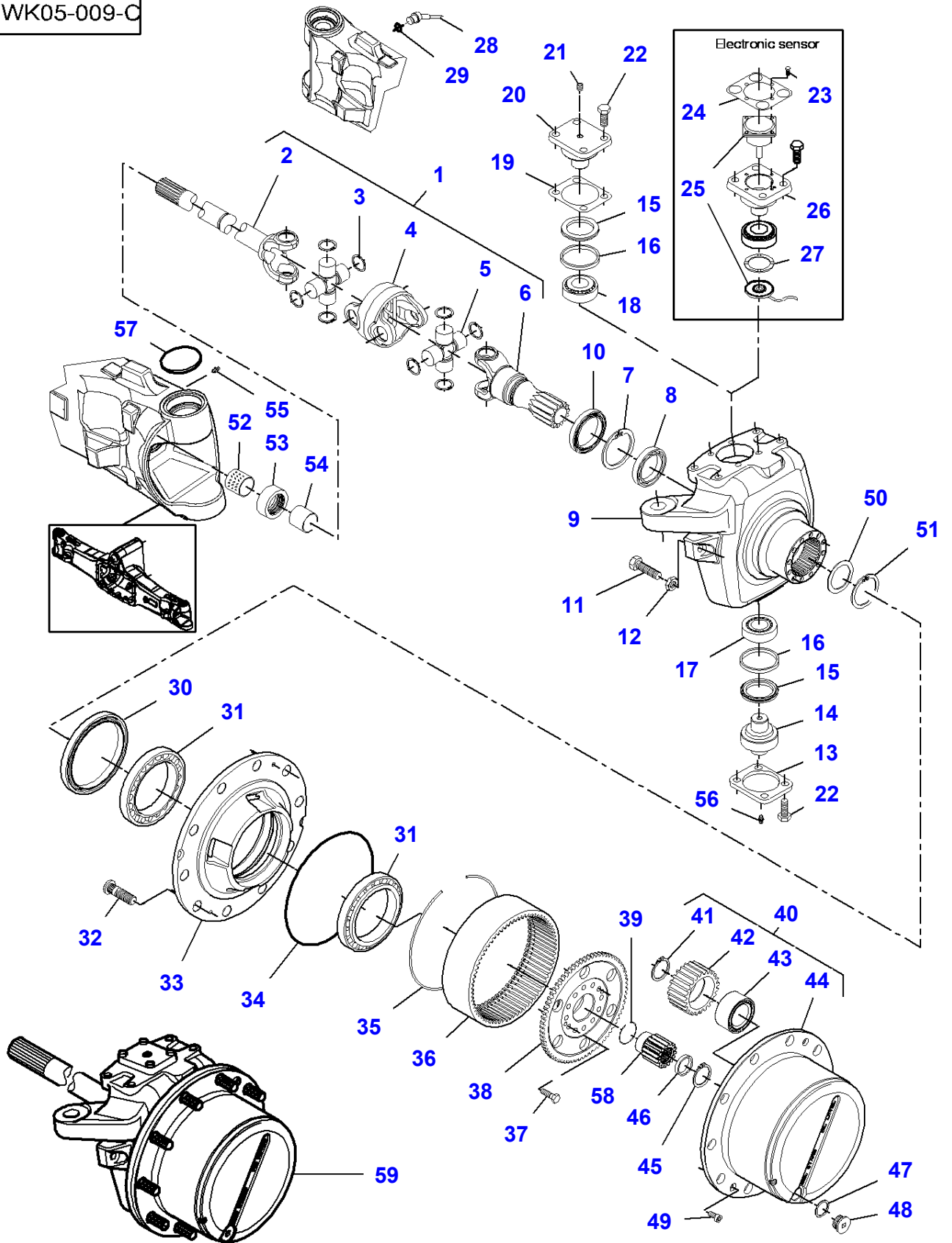
Item	Part Number	Qty	Description	Comments
1	3764102M1	15	Screw	
2	011053790	16	Washer	
3	7600470501	1	Support	
4	3765787M1	1	Nut	
5	1444071X1	1	Hex. Sock. Screw	
6	3765786M1	1	Locking Plate	
7	014010327	1	Dowel	
8	001423359	1	Seal	
9	001423360	1	Seal	
10	3766055M1	1	O Ring	
11	3766054M1	1	Bush	
12	3766056M1	1	Circlip	
13	001051564	1	Bush	
14	3765836M1	1	Piston	
15	3765837M1	1	Ring	
16	014013773	2	Dowel	
17	3765039M1	1	Nut	
18	7600401701	1	Bush	
19	7600470401	1	Bridle	
20	001051421	1	O Ring	
21	7600401201	1	Seal	
22	002021812	1	Snapring	
23	000137100	1	Bearing Assy	
24	3765901M1	1	O Ring	
25	1380401202	X	Spacer	5,80 MM 3765873M1
	1380401203	X	Spacer	5,83 MM 3765874M1
	1380401204	X	Spacer	5,86 MM 3765875M1
	1380401205	X	Spacer	5,89 MM 3765876M1
	1380401206	X	Spacer	5,92 MM
	1380401207	X	Spacer	5,95 MM
	1380401208	X	Spacer	5,98 MM 3765879M1
	1380401209	X	Spacer	6,01 MM 3765880M1
	1380401210	X	Spacer	6,04 MM 3765881M1
	1380401211	X	Spacer	6,07 MM 3765882M1
	1380401212	X	Spacer	6,10 MM 3765883M1
	1380401213	X	Spacer	6,13 MM 3765884M1
	1380401214	X	Spacer	6,16 MM 3765885M1
	1380401215	X	Spacer	6,19 MM
	1380401216	X	Spacer	6,22 MM 3765887M1
	1380401217	X	Spacer	6,25 MM
	1380401218	X	Spacer	6,28 MM 3765889M1
	1380401219	X	Spacer	6,31 MM 3765890M1
	1380401220	X	Spacer	6,34 MM 3765891M1
	1380401221	X	Spacer	6,37 MM 3765892M1
	1380401222	X	Spacer	6,40 MM 3765893M1
	1380401223	X	Spacer	6,43 MM 3765894M1
	1380401224	X	Spacer	6,46 MM 3765895M1
	1380401225	X	Spacer	6,49 MM 3765896M1
	1380401226	X	Spacer	6,52 MM 3765897M1
	3765898M1	X	Spacer	6,55 MM

Massey Ferguson**MF 8470/8480 TRACTOR (TIER 3) - 3906071****3906071****Front Axle 4 Wheel Drive - Differential - With Suspended Front Axle****Page060-0115**

Item	Part Number	Qty	Description	Comments
25	1380401228	X	Spacer	6,58 MM 3765899M1
25	1380401229	X	Spacer	7,00 MM 3765900M1
26	000245025A	X	Chock	0.10 MM
26	000245027A	X	Chock	0.30 MM
26	000245028A	X	Chock	0.50 MM
27	005093366	1	Bearing Assy	
28	7600450101	1	Kit, Bevel Gear	
29	011141455	18	Washer	
30	016010786	18	Screw	
31	005103365	1	Bearing Assy	
32	000057970	12	Screw	
33	011041318	12	Washer	
34	3766061M91	1	Housing	
35	000245680	1	Washer	
36	7600470201	1	Gear	
37	7600401401	4	Washer	
38	000215040A	2	Clevis Pin	
39	000727512A	1	Clutch Disc	
40	000139339	1	Bush	
41	7600400401	1	Bridle	
42	3766063M1	1	Cover	
43	011043431	18	Washer	
44	3766065M1	18	Screw	
45	G816.300.020.180	1	Cup And Cone	
46	000345621	3	Chock	0.50 MM
46	000345622	1	Chock	0.20 MM
46	000345623A	1	Chock	0.10 MM
47	7600400501	1	Spring	
48	002011794	1	Snpring	
49	005733367	1	Stop	
50	000245837	1	Washer	
51	7600101501	1	Stud	
52	006053774	1	Nut	
53	7600440007	1	Kit,Differential	

MF 8470/8480 TRACTOR (TIER 3) - 3906071
1-WK05-009-C

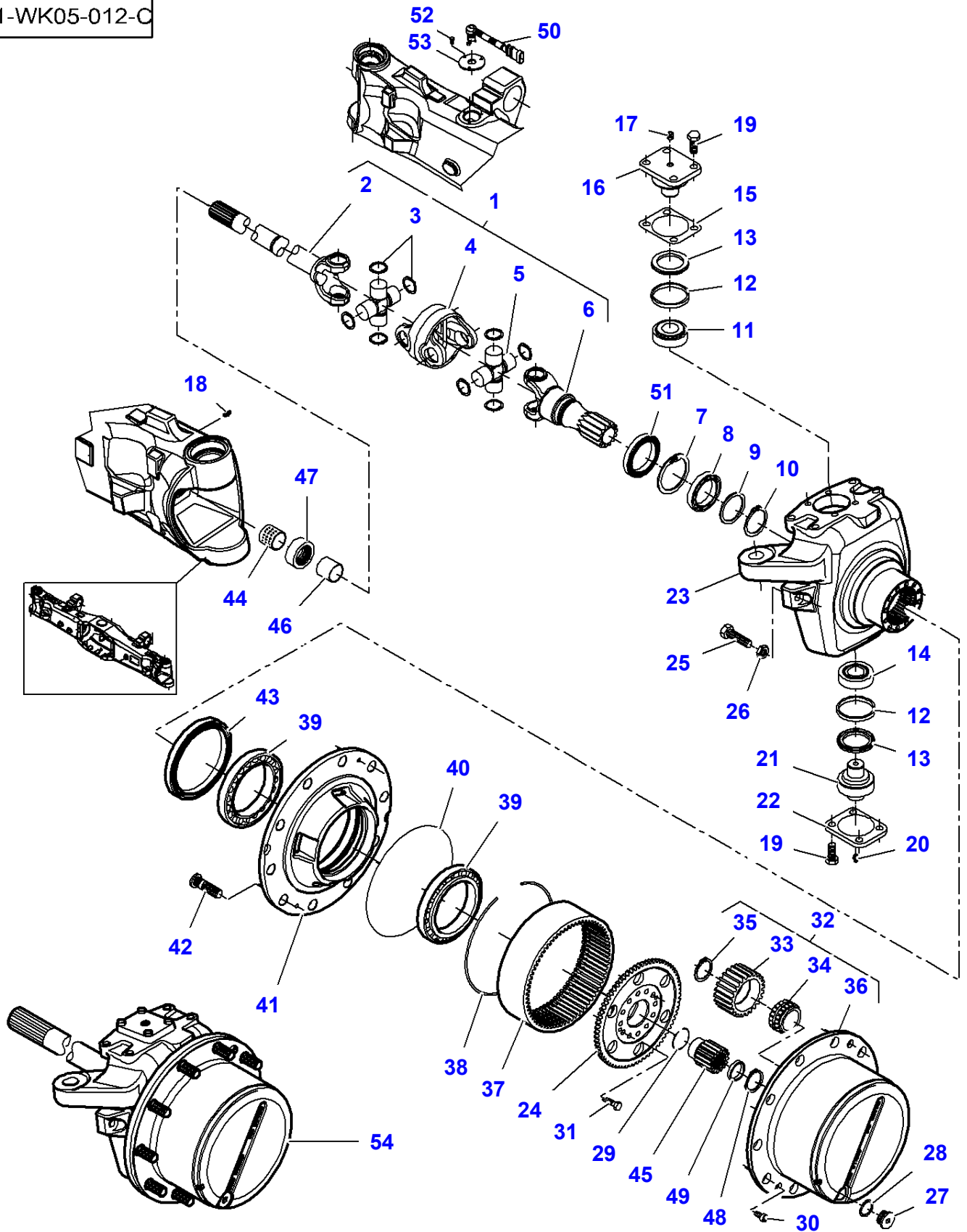
1-WK05-009-C



Item	Part Number	Qty	Description	Comments
1	3766060M91	1	Universal Joint	
	3766059M91	1	Universal Joint	
2	7600645003	1	Shaft	(1)
	7600645005	1	Shaft	(1)
3	002020903	8	Snapring	(1)
4	3766169M91	1	Knuckle	(1)
5	000513236A	2	Spider	(1)
				R083040
	000513236A	2	Spider	(1)
				R083041
6	7600645004	1	Shaft	(1)
7	002023410	2	Snapring	
8	005013296	2	Bearing Assy	
9	7600601801	1	Housing	
	7600601701	1	Housing	
10	7600601602	2	Seal	
11	7600601501	4	Screw	
12	000058321	4	Nut	
13	000145120	2	Support	
14	3766058M1	2	Pin	
15	7500604601	4	Seal	
16	7500604701	4	Spacer	
17	3766050M1	2	Bearing Assy	
18	005103860	2	Bearing Assy	
19	F718.301.020.290	1	Disc	0.2 MM
	F718.301.020.300	1	Disc	0.5 MM
20	7500604401	1	Pivot	P147053
21	016083444	1	Screw	
22	016010786	20	Screw	P147052
	016010786	16	Screw	P147053
23	016010367	4	Screw	G-ITA-317918
24	7450600901	1	Cover	G-ITA-317918
25	7450661202	1	Transducer	G-ITA-317918
26	7500604501	1	Pivot	G-ITA-317918
27	7500604801	1	Washer	G-ITA-317918
28	7450100301	1	Connectors	G-ITA-317918
29	001053931	1	Gasket	G-ITA-317918
				001051577
30	000051867	2	Seal	
31	005101427	4	Bearing Assy	
32	000057061	24	Stud	
33	7600600601	2	Wheel Hub	
34	001053338	2	O Ring	
35	7600601401	2	Snapring	
36	7600600801	2	Annular Gear	
37	3764103M1	24	Screw	
38	7600600901	2	Support	
39	002072756	2	Snapring	
40	7600670301	1	Carrier	
41	002143202	8	Seal	(40)
42	7600601101	8	Gear	(40)
43	2900601303	8	Bearing Assy	(40)
				7600601201
44		2	Carrier	(40)
				ref. 40
45	002011260	2	Circlip	
46	7600601302	2	Bush	
47	X540.007.678.000	2	Ring	
48	385.300.020.130	2	Plug	
49	000057073	4	Screw	
50	000245560B	2	Washer	
51	002013405	2	Snapring	
52	000339040	2	Bush	
53	H926.301.020.130	2	Oil Seal	3765756M1
54	F718.301.020.520	2	Cup	
55	339004X1	2	Nipple	
56	339003X1	2	Grease Nipple	
57	7600101301	1	Washer	G-ITA-317919
58	7600601001	2	Planet	
59	7600640007	1	Final Drive	
	7600640008	1	Final Drive	

MF 8470/8480 TRACTOR (TIER 3) - 3906071
1-WK05-012-C

1-WK05-012-C



Massey Ferguson

MF 8470/8480 TRACTOR (TIER 3) - 3906071

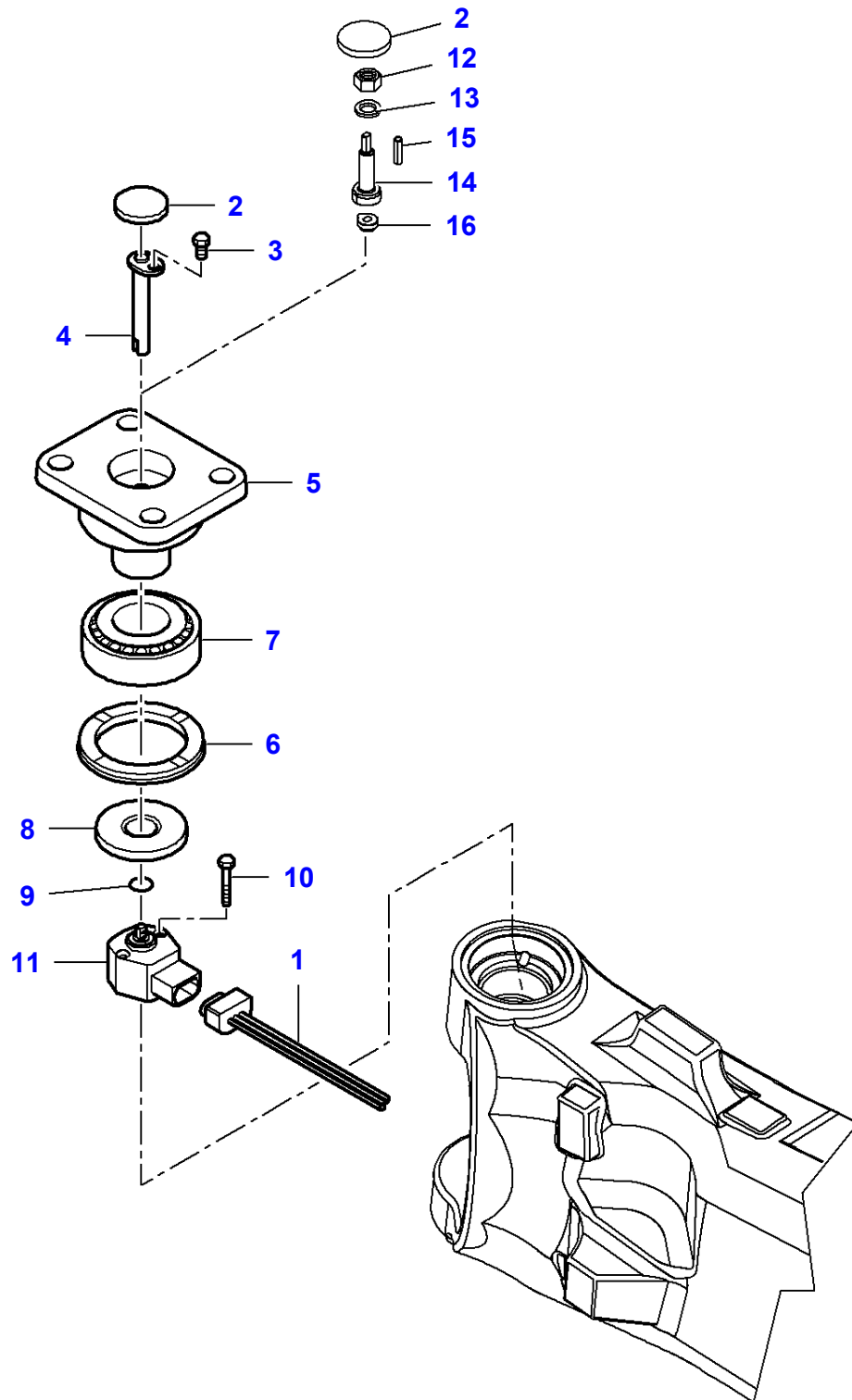
3906071

Front Axle 4 Wheel Drive - Final Drive - With Suspended Front Axle

Page 060-0125

Item	Part Number	Qty	Description	Comments
1	3766060M91	1	Universal Joint	
	3766059M91	1	Universal Joint	
2	7600645003	1	Shaft	(1)
	7600645005	1	Shaft	(1)
3	002020903	1	Snapring	(1)
4	3766169M91	1	Knuckle	(1)
5	000513236A	2	Spider	(1)
6	7600645004	1	Shaft	(1)
7	002023410	2	Snapring	
8	005013296	2	Bearing Assy	
9	000245560B	2	Washer	
10	002013405	2	Snapring	
11	005103860	2	Bearing Assy	
12	7500604701	4	Spacer	
13	7500604601	4	Seal	
14	3766050M1	2	Bearing Assy	
15	F718.301.020.290	1	Disc	0.2 MM
	F718.301.020.300	1	Disc	0.5 MM
16	7500604401	1	Pivot	
17	016083444	2	Screw	
18	339004X1	2	Nipple	
19	016010786	16	Screw	
20	339003X1	2	Grease Nipple	
21	3766058M1	2	Pin	
22	000145120	2	Support	
23	7600601801	1	Housing	
	7600601701	1	Housing	
24	7600600901	2	Support	
25	7600601501	4	Screw	
26	000058321	4	Nut	
27	385.300.020.130	2	Plug	
28	X540.007.678.000	2	Ring	
29	002072756	2	Snapring	
30	000057073	4	Screw	
31	3764103M1	24	Screw	
32	7600670301	1	Carrier	
33	7600601101	8	Gear	(32)
34	2900601303	8	Bearing Assy	(32)
35	002143202	8	Seal	(32)
36		2	Carrier	(32) ref. 32
37	7600600801	2	Annular Gear	
38	7600601401	2	Snapring	
39	005101427	4	Bearing Assy	
40	001053338	2	O Ring	
41	7600600601	2	Wheel Hub	
42	000057061	24	Stud	
43	000051867	2	Seal	
44	000339040	2	Bush	
45	7600601001	2	Planet	
46	F718.301.020.520	2	Cup	
47	H926.301.020.130	1	Oil Seal	3765756M1
48	002011260	2	Circlip	
49	7600601302	2	Bush	
50	7450100301	1	Connectors	
51	7600601602	2	Seal	
52	016011180	3	Screw	
53	7300101702	2	Cover	
54	7600640009	1	Final Drive	
	7600640010	1	Final Drive	

1-WK05-019-A



Massey Ferguson

MF 8470/8480 TRACTOR (TIER 3) - 3906071

3906071

Front Axle 4 Wheel Drive - Final Drive - AUTO GUIDE SENSOR FROM / UP TO FRONT AXLE NUMBER

Page060-0130

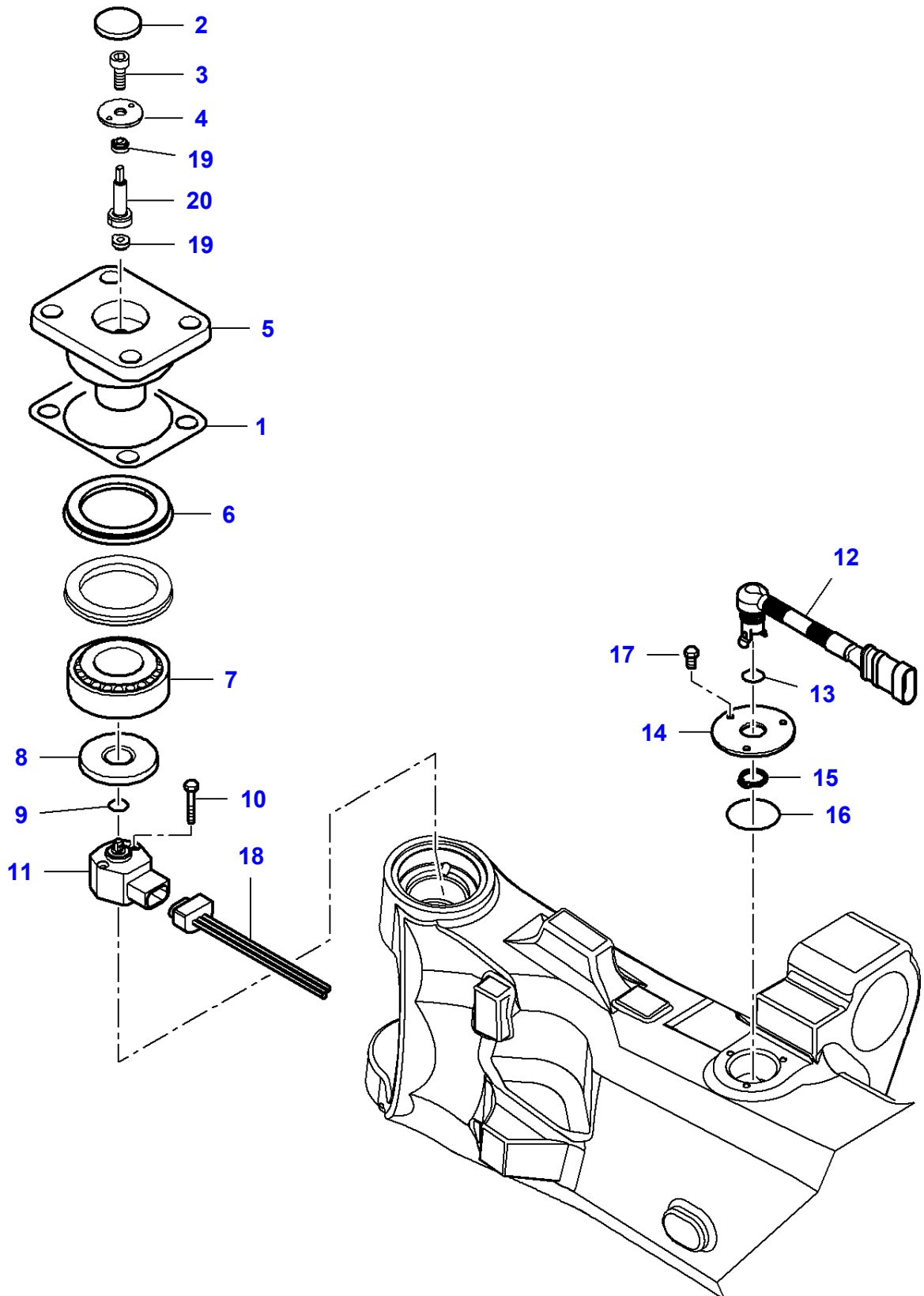
Item	Part Number	Qty	Description	Comments
------	-------------	-----	-------------	----------

1	7302461002	1	Connectors	[A]
	7500660002	1	Connectors	[B]
2	015032885	1	Plug	[A]
	015032885	1	Plug	[B]
3	016040843	1	Screw	[A]
	016040843	1	Screw	[B]
4	7500606101	1	Clevis Pin	[A]
	7500606101	1	Clevis Pin	[B]
5	7500606004	1	Pivot	[A]
	7500606004	1	Pivot	[B]
6		X	Not Used	[A]
	7600101301	1	Washer	[B]
7	005103860	1	Bearing Assy	
8	7550605301	1	Cover	[A]
	7550605301	1	Cover	[B]
9	001053931	1	Gasket	[A]
	001053931	1	Gasket	[B]
10	016063718	2	Screw	[A]
	016063718	2	Screw	[B]
11	7502461001	1	Sensor	[A]
	7502461001	1	Sensor	[B]
12	006030195	1	Nut	[A]
	006030195	1	Nut	[B]
13	011050232	1	Lock Washer	[A]
	011050232	1	Lock Washer	[B]
14	7600602002	1	Pin	[A]
	7600602002	1	Pin	[B]
15	014131134	1	Dowel	[A]
	014131134	1	Dowel	[B]
16	7300105102	1	Gasket	[A]
	7300105102	1	Gasket	[B]

FOOTNOTE [A] FRONT AXLE SUSPENDED

FOOTNOTE [B] FRONT AXLE FIXED

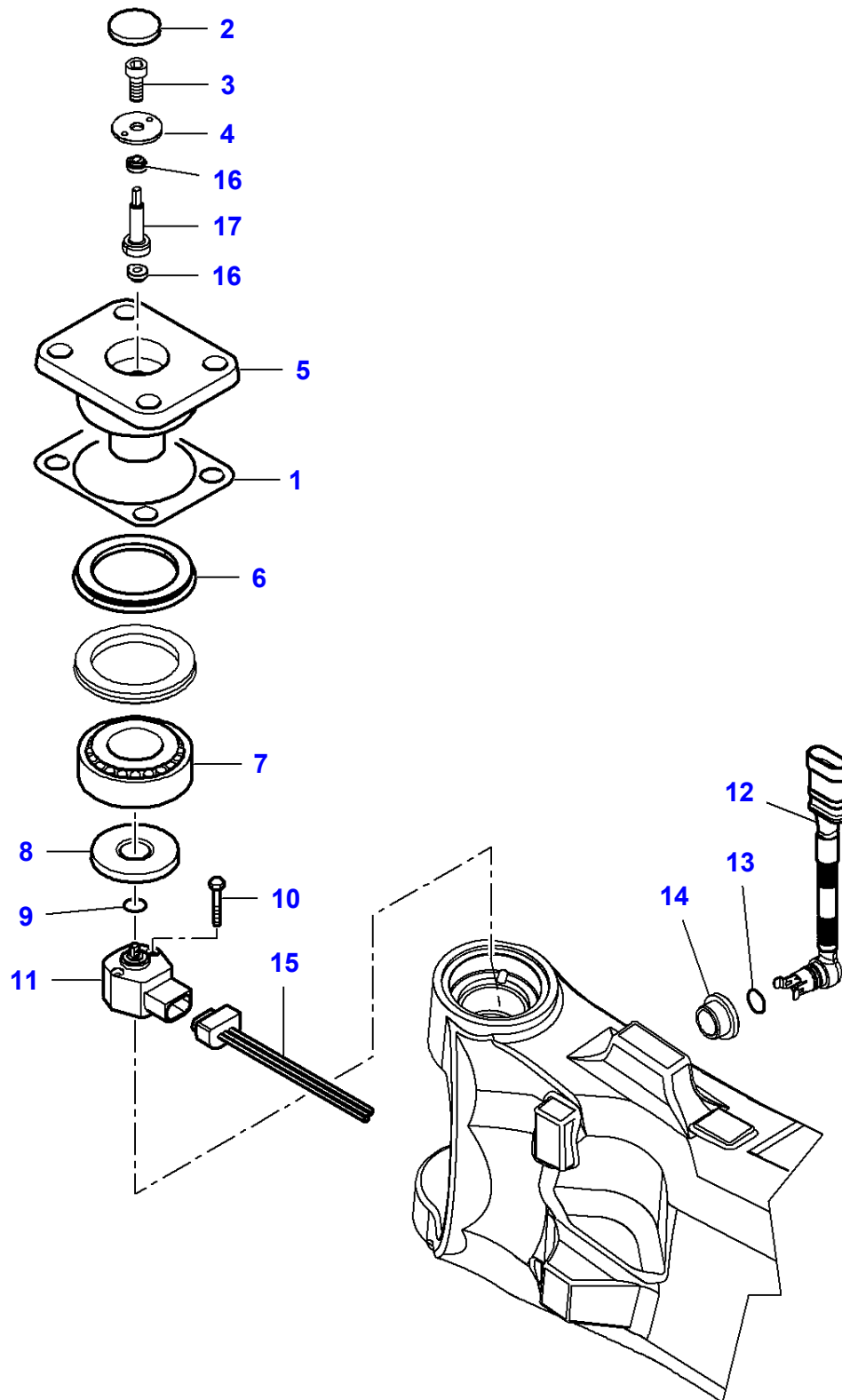
1-WK05-020-A



Massey Ferguson**MF 8470/8480 TRACTOR (TIER 3) - 3906071****3906071****Front Axle 4 Wheel Drive - Final Drive - AUTO GUIDE SENSOR FROM / FRONT AXLE SUSPENDED****Page060-0135**

Item	Part Number	Qty	Description	Comments
1	F718.301.020.290	1	Disc	
2	015032885	1	Plug	
3	016041981	2	Screw	
4	7600602101	1	Washer	
5	7500606004	1	Pivot	
6	7500604601	1	Seal	
7	005103860	1	Bearing Assy	
8	7550605301	1	Cover	51,5 MM
	7300604302	1	Cover	56 MM
9	001053931	1	Gasket	001051577
10	016063718	2	Screw	
11	7502461001	1	Sensor	
12	7450100301	1	Connectors	
13	001053931	1	Gasket	
14	7300101702	1	Cover	
15	002010061	1	Thruster	
16	001050591	1	O Ring	
17	016011180	3	Screw	
18	7302461002	1	Connectors	
19	7300105102	2	Gasket	
20	7600602002	1	Pin	

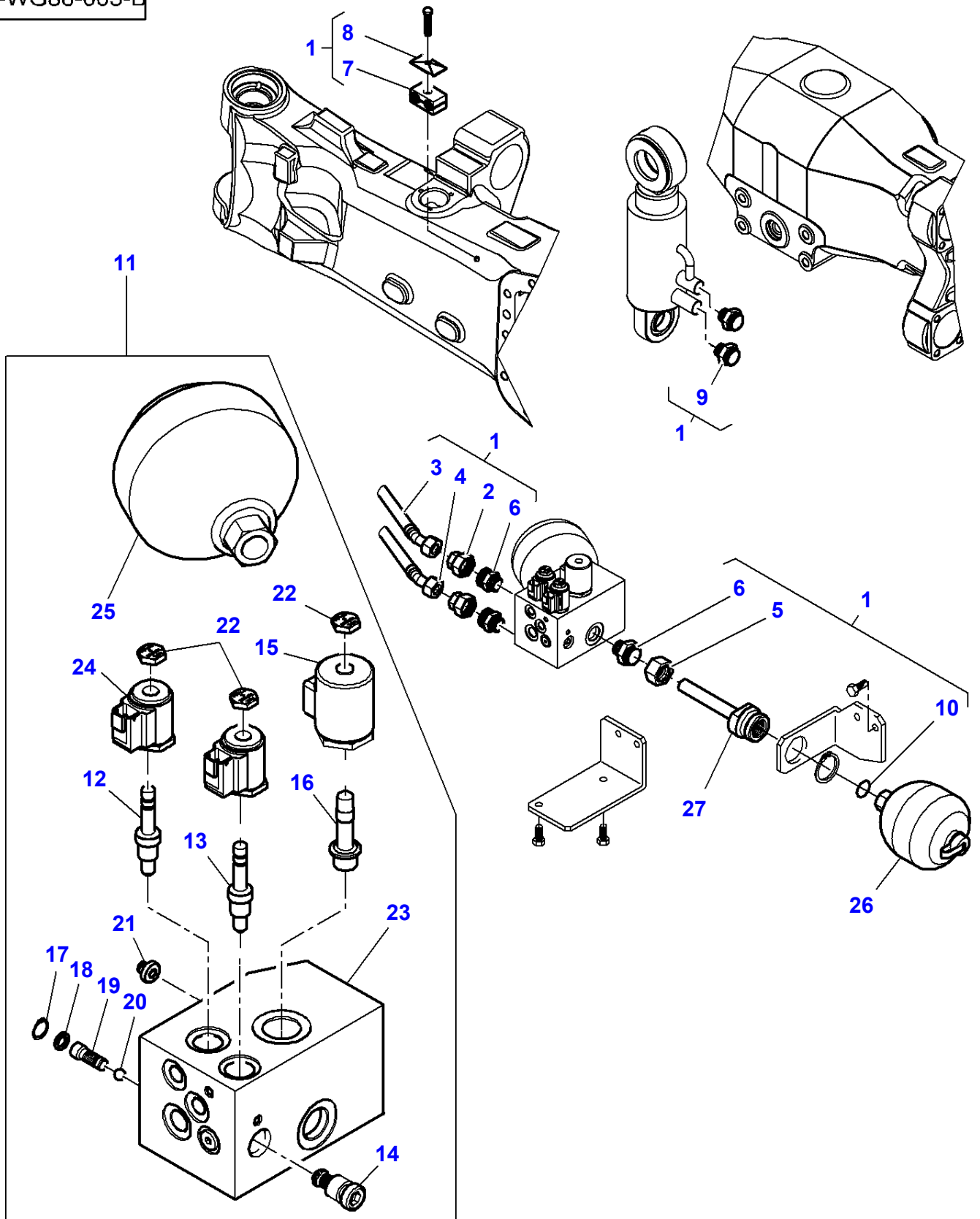
1-WK05-021-A



Massey Ferguson**MF 8470/8480 TRACTOR (TIER 3) - 3906071****3906071****Front Axle 4 Wheel Drive - Final Drive - AUTO GUIDE SENSOR FROM I-ITA-334141 / FRONT AXLE
FIXED****Page060-0140**

Item	Part Number	Qty	Description	Comments
1	F718.301.020.290	1	Disc	
2	015032885	1	Plug	
3	016041981	2	Screw	
4	7600602101	1	Washer	
5	7500606004	1	Pivot	
6	7500604601	1	Seal	
7	005103860	1	Bearing Assy	
8	7550605301	1	Cover	51,5 MM
	7300604302	1	Cover	56 MM
9	001053931	1	Gasket	001051577
10	016063718	2	Screw	
11	7502461001	1	Sensor	
12	7450100301	1	Connectors	
13	001053931	1	Gasket	
14	7500604301	1	Bush	
15	7500660002	1	Connectors	
16	7300105102	2	Gasket	
17	7600602002	1	Pin	

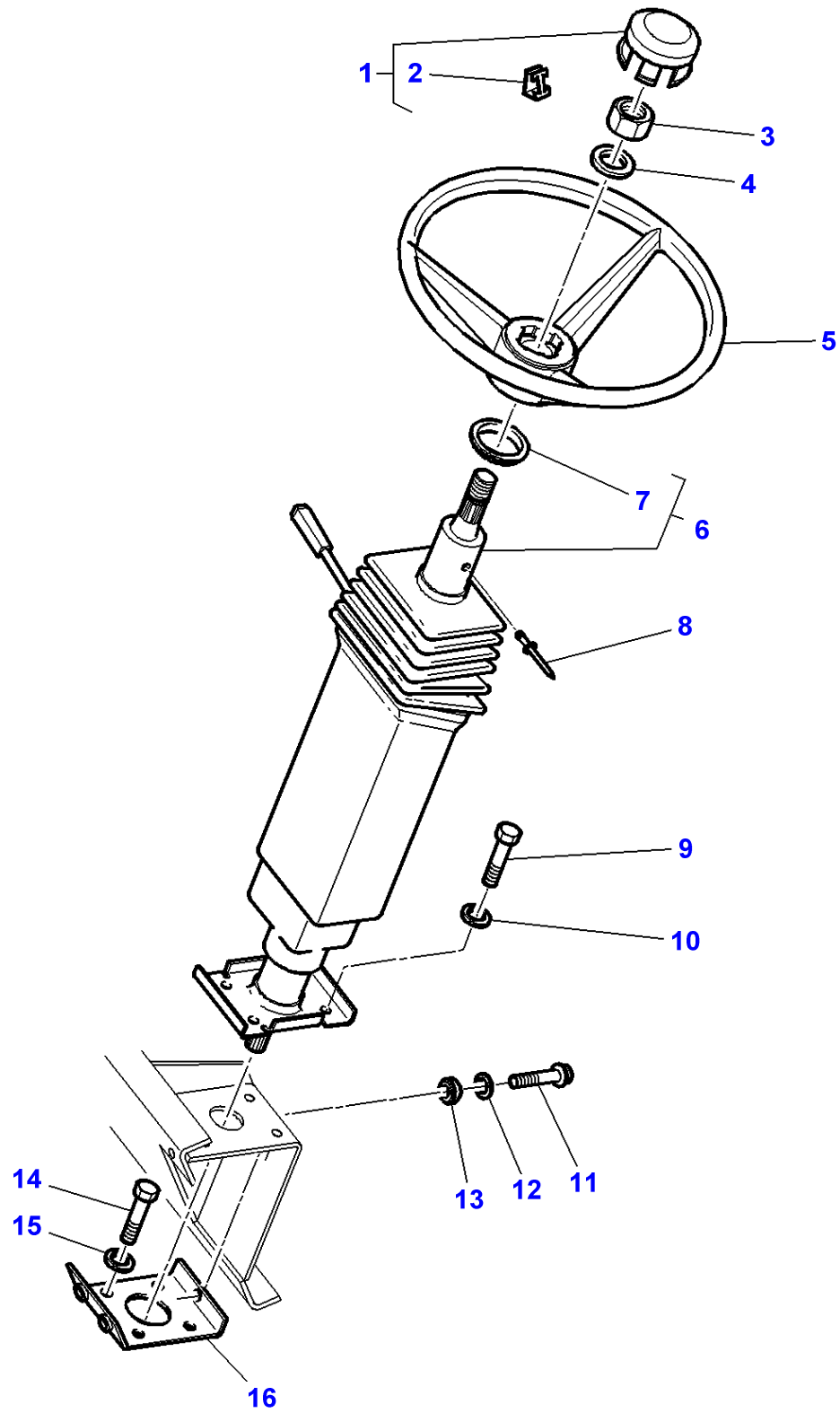
1-WG86-005-B



Hydraulic Valve Block

Item	Part Number	Qty	Description	Comments
1	7602660203	1	Parts Pack	
2	7602600901	2	Union	(1)
3	7602601201	1	Tube	(1)
4	7602601101	1	Tube	(1)
5	7602600601	1	Union	(1)
6	7602600501	3	Union	(1)
7	7602600701	1	Stirrup	(1)
8	7602600801	1	Plate	(1)
9	7602600401	2	Union	(1)
10	001054026	2	O Ring	(1)
11	7602660004	1	Valve	
12	7602601301	1	Valve	(11)
13	7602601401	1	Valve	(11)
14	7602601501	1	Valve	(11)
15	7602601801	1	Coil	(11)
16	7602601701	1	Valve	(11)
17	7302601801	1	Segment	(11)
18	7302601901	1	Washer	(11)
19	7302602002	1	Screw	(11)
20	7302602101	1	Ball	(11)
21	7602601601	1	Regulator	(11)
22	7302601201	3	Nut	(11)
23	7602660401	1	Valve	(11)
24	7302601101	2	Solenoid	(11)
25	7602660301	1	Accumulator	(11)
26	7602660301	1	Accumulator	
27	7602601002	1	Tube	

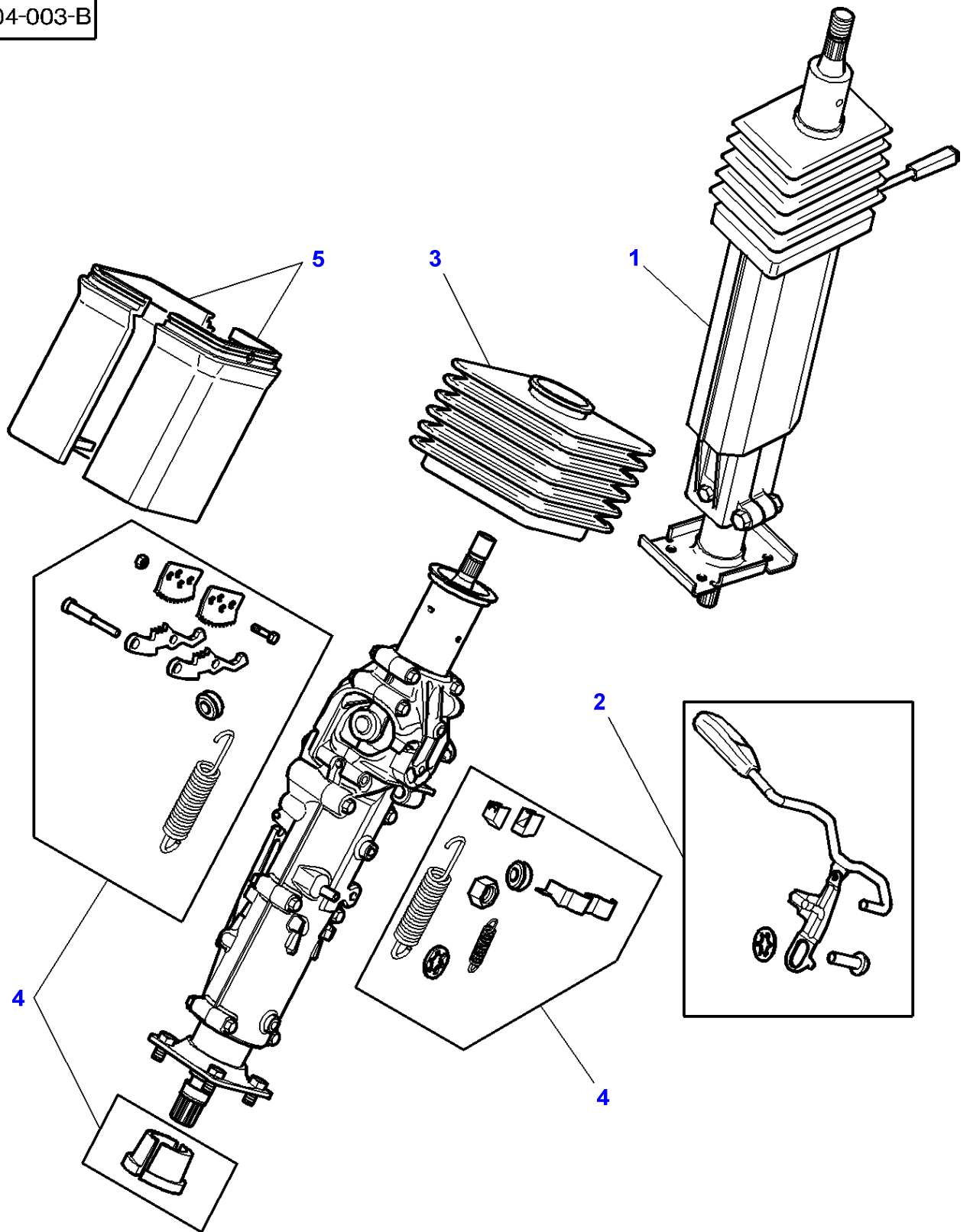
1-WN04-001-A



Steering Wheel And Telescopic Column

Item	Part Number	Qty	Description	Comments
1	3759758M92	1	Cap	
2	3817055M1	2	Clip	(1)
3	339070X1	1	Nut	M14
4	390973X1	1	Washer	15-28 X 2,5
5	3809661M1	1	Steering Wheel	
6	4273495M93	1	Steering Column	070-0010/1
7	3902578M1	1	Gasket	(6)
8	3011268X1	1	Rivet	4 X 7,5
9	339124X1	4	Bolt	M8 X 16
10	1440921X1	4	Washer Metric	8-22 X 2
11	3009778X1	3	Screw	M10 X 35
12	3389958M1	6	Washer	10,5-28 X 2
13	1619912M1	3	Vibration Mount	
14	339282X1	4	Hex. Sock. Screw	M10 X 16
15	390734X1	4	Flat Washer	10-21 X 2
16	3388920M94	1	Support	

1-WN04-003-B

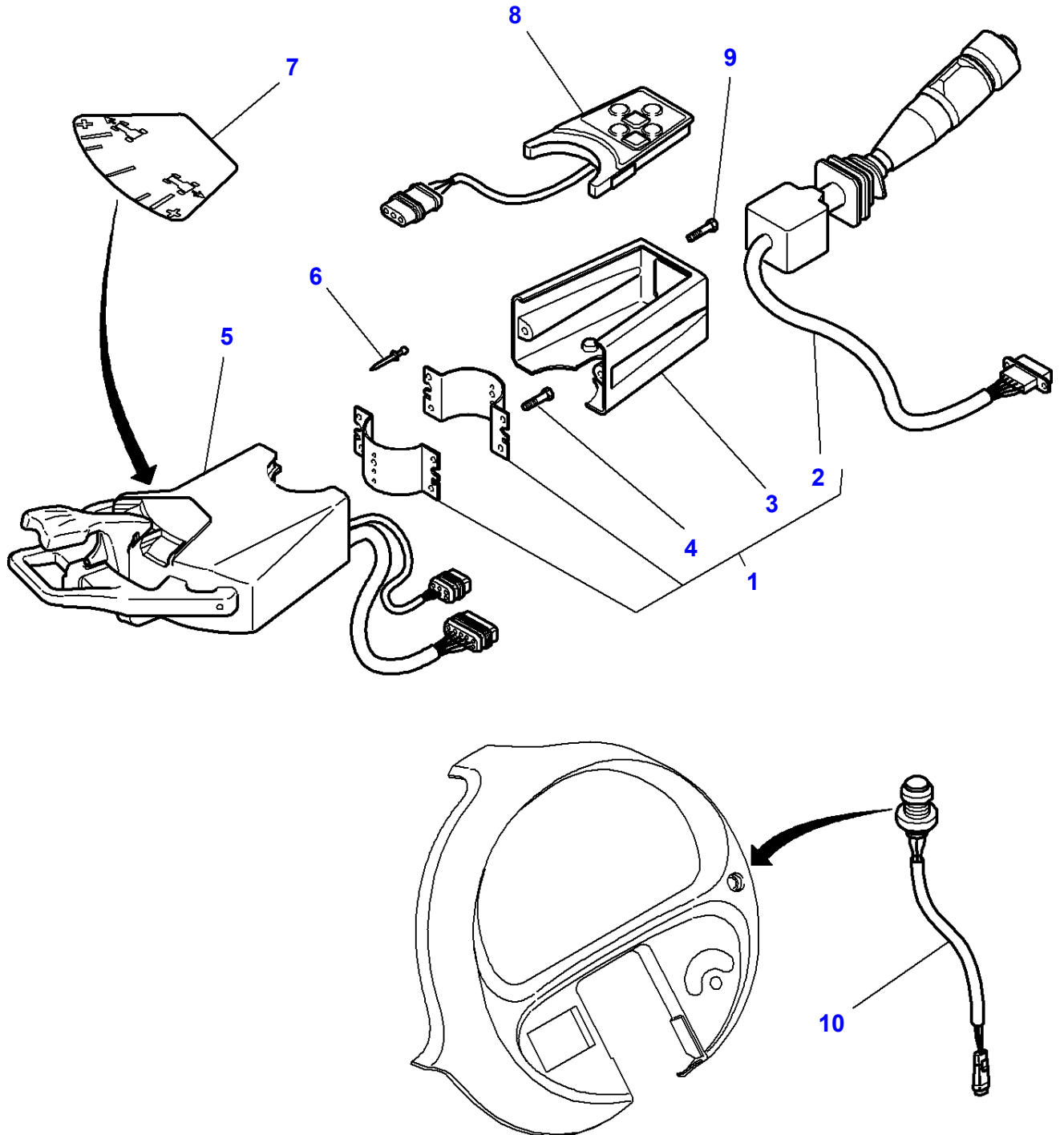


Massey Ferguson**MF 8470/8480 TRACTOR (TIER 3) - 3906071****3906071****Steering Wheel And Telescopic Column****Page070-0010**

Item	Part Number	Qty	Description	Comments
1	4273495M93	1	Steering Column	
2	3907403M91	1	Kit, Lever	[A] (1)
3	3907405M91	1	Bellows	(1)
4	3907402M91	1	Kit, Repair	[A] (1)
5	3907404M91	1	Case Assy	[A] (1)

FOOTNOTE [A] NOT DETAILED

1-WN14-001-C

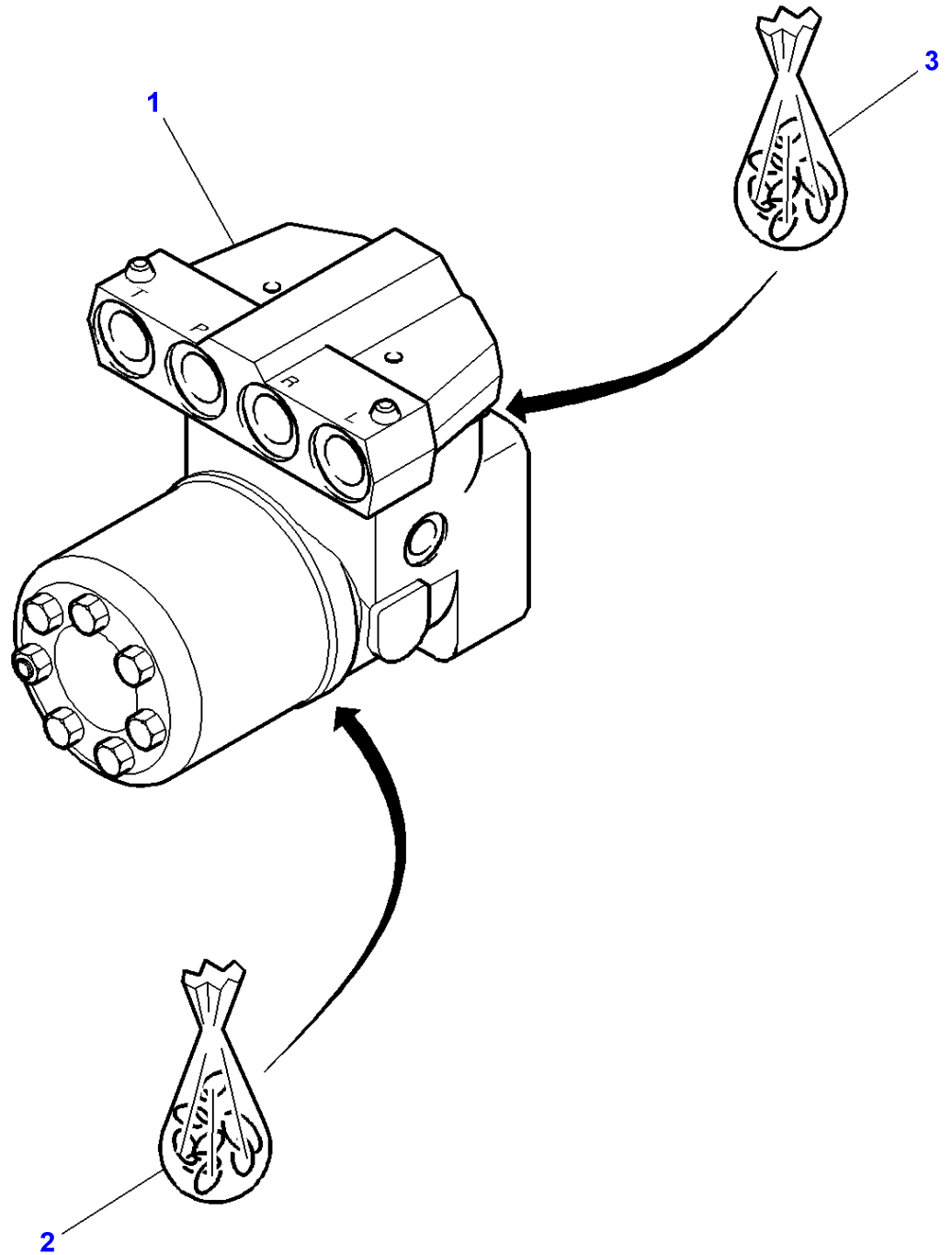


Massey Ferguson**MF 8470/8480 TRACTOR (TIER 3) - 3906071****3906071****Page070-0015****Lighting Power Shuttle Drive**

Item	Part Number	Qty	Description	Comments
1	3789725M92	1	Combi Switch	
2	3713669M4	1	Switch,Indirect	(1)
3	4271331M1	1	Case Assy	(1)
4	3713785M1	4	Screw	(1) M4 X 16
5	3787500M92	1	Wobble Drive	[A]
6	3011268X1	1	Rivet	
7	4272209M1	1	Decal	
8	3787415M1	1	Wobble Drive	
9	3010895X1	1	Screw Metric	M4 X 35
	3010818X1	1	Hex Socket Screw	M4 X 20
10	4291979M2	1	Switch	

FOOTNOTE [A] WITH PARKING BRAKE

1-WN07-001-A



Massey Ferguson

MF 8470/8480 TRACTOR (TIER 3) - 3906071

3906071

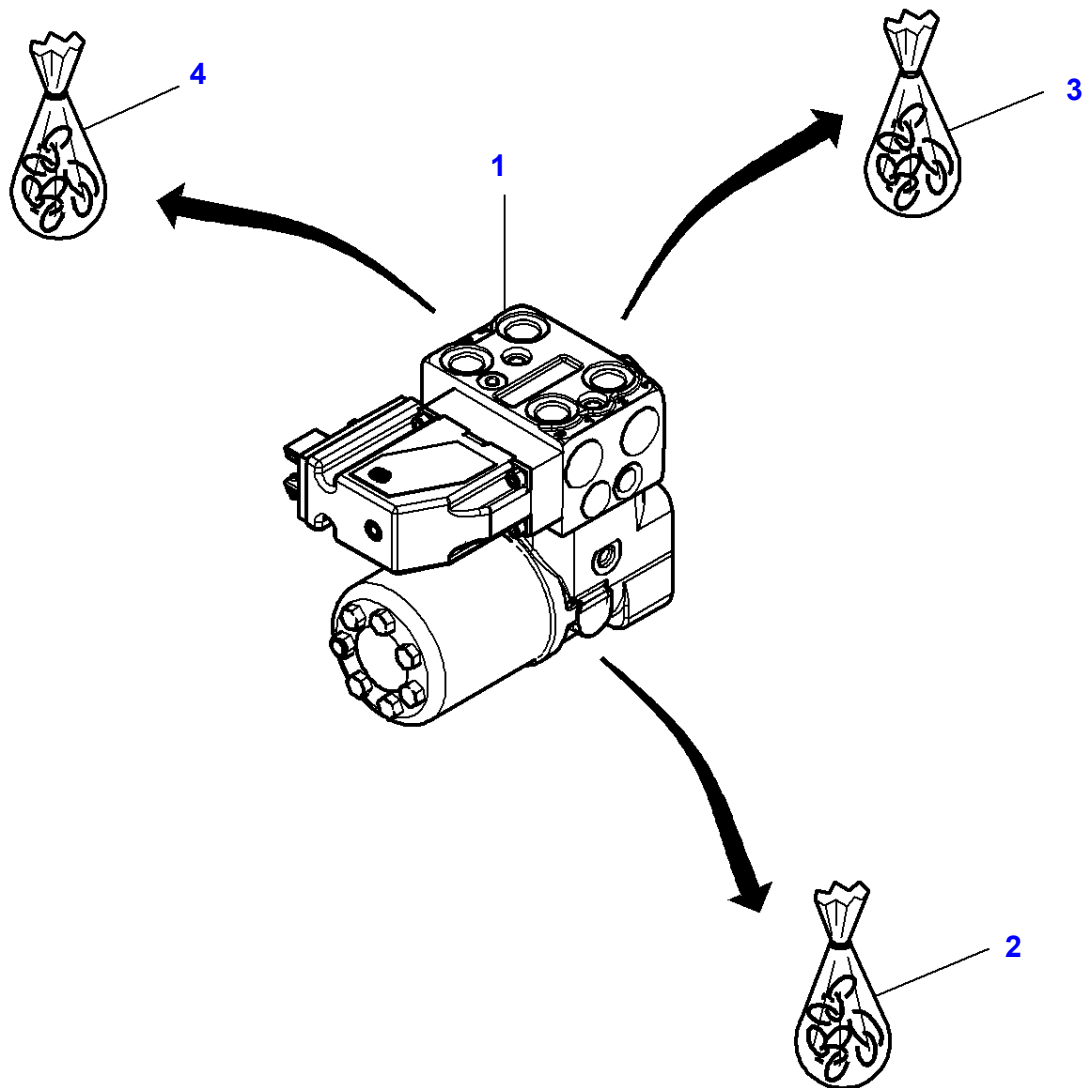
Steering Pump

Page070-0020

Item	Part Number	Qty	Description	Comments
1	4285379M1	1	Distributor	[Z]
2	3903005M91	1	Parts Pack	
3	3473640M91	1	Kit, Seal	

FOOTNOTE [Z] NOT DETAILED

1-WN07-004-A



Massey Ferguson**MF 8470/8480 TRACTOR (TIER 3) - 3906071****3906071****Steering Pump****Page070-0025**

Item	Part Number	Qty	Description	Comments
1	4288526M1	1	Distributor	[A]
2	3903005M91	1	Parts Pack	
3	3473640M91	1	Kit, Seal	
4	3907940M91	1	Kit, Seal	

FOOTNOTE [A] NOT DETAILED

Steering Hydraulic Lines

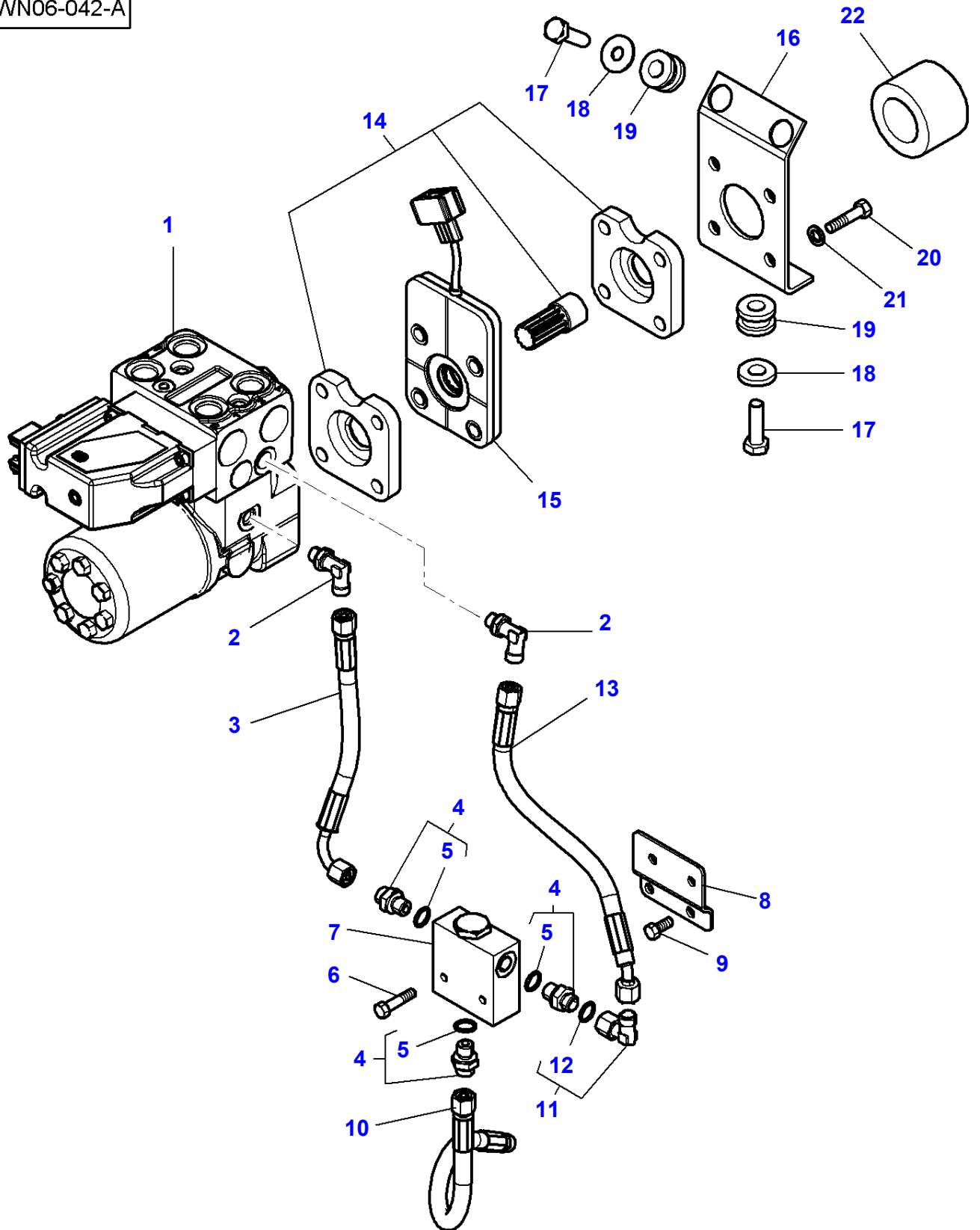
Item	Part Number	Qty	Description	Comments
1	3789721M1	1	Union	
2	4276126M3	1	Hydr. Hose	1150 MM R321048
	4276126M4	1	Hydr. Hose	[A] 1300 MM R321049
3	4276125M1	1	Hydr. Hose	
4	4272115M2	2	Union	
5	4276127M1	2	Hydr. Hose	
6	3787918M1	2	Union	
7	4279816M1	1	Union	M12 / M14
8	3011061X1	1	O Ring	(7)
9	4274551M1	1	Union	
10	4276124M1	1	Hydr. Hose	
11	394367X1	1	Locknut	R321048
12	391039X1	2	Flat Washer	R321048
13	3581131M1	1	Clip	20 - M8 R321048
14	339168X1	1	Bolt	M8 X 50 R321048
15	4286704M1	2	Support	[A] R321049
16	1441704X1	2	Hex. Sock. Screw	[A] M20 X 40 R321049
17	3781937M1	1	Bridle	[A] 16-18 R321049
	3781908M1	1	Bridle	[A] 18 R321049
18	339010X1	2	Bolt	[A] M8 X 40 R321049
19	339169X1	2	Nut	[A] M8 R321049
20	4286708M1	2	Bridle	[B,C]

FOOTNOTE [A] VALID ALSO FOR TRACTOR R313045

FOOTNOTE [B] WITH FRONT AXLE SUSPENDED

FOOTNOTE [C] WITHOUT FRONT LINKAGE

1-WN06-042-A

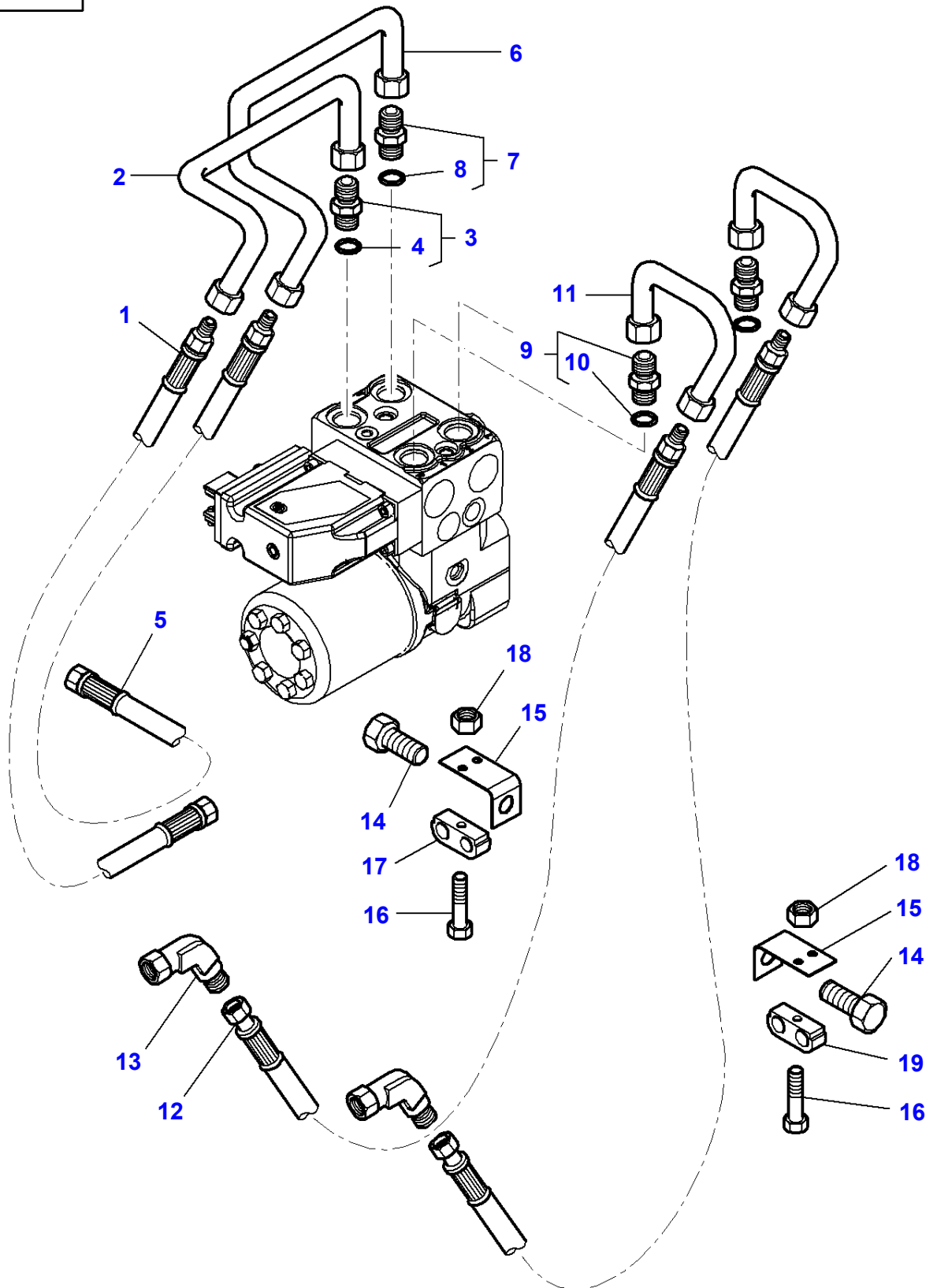


Steering Hydraulic Lines - AUTOGUIDE

Item	Part Number	Qty	Description	Comments
1	4288526M1	1	Distributor	[A]
2	4271425M1	1	Union	17-APR-2007
	4279816M1	1	Union	18-APR-2007
3	4280519M1	1	Hydr. Hose	240 MM
4	3011316X91	3	Union	
5	338762X1	1	Seal	(4)
6	339229X1	2	Bolt	M6 X 40
7	4281620M1	1	Pressure Valve	[A]
8	4281638M1	1	Support	
9	339124X1	2	Bolt	M8 X 16
10	4290121M1	1	Hydr. Hose	460 MM
11	3011082X91	1	Elbow	
12	3011144X1	1	O Ring	(11)
13	4280518M1	1	Hydr. Hose	320 MM
14	4288540M2	1	Drive Shaft	
15	4285380M1	1	Transducer	
16	3388920M94	1	Support	
17	3009494X1	3	Bolt	M10 X 35
18	3389958M1	3	Washer	
19	1619912M1	3	Vibration Mount	
20	3009499X1	4	Hex. Sock. Screw	M10 X 60
21	390734X1	4	Flat Washer	
22	4291903M1	1	Sleeve	

FOOTNOTE [A] DETAIL TO BE ADVISED

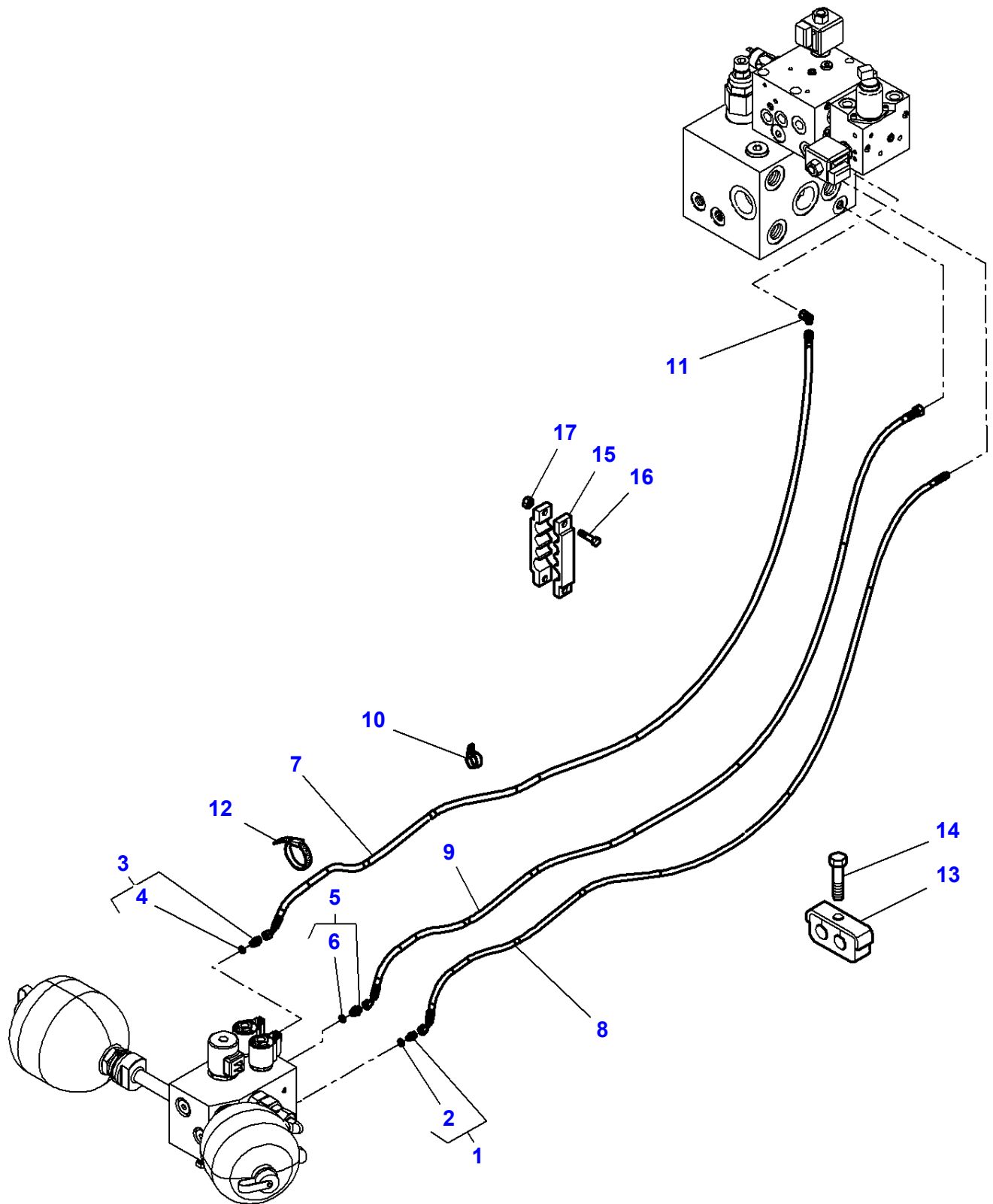
1-WN06-043-A



Steering Hydraulic Lines - AUTOGUIDE

Item	Part Number	Qty	Description	Comments
1	4288554M1	1	Hydr. Hose	700 MM
2	4288553M1	1	Tube	
3	3011925X91	1	Union	
4	3015163X1	1	O Ring	(3)
5	4290120M1	1	Hydr. Hose	1350 MM
6	4288555M2	1	Tube	
7	3011051X91	1	Union	
8	3015163X1	1	O Ring	(7)
9	3011246X91	2	Union	
10	3015163X1	1	O Ring	(9)
11	4288551M2	2	Tube	
12	4288552M1	2	Hydr. Hose	3350 MM
13	3787918M1	2	Union	
14	1441704X1	2	Hex. Sock. Screw	M20 X 40
15	4286704M1	2	Support	
16	339010X1	2	Bolt	M8 X 40
17	3781937M1	1	Bridle	16-18
18	339169X1	2	Nut	M8
19	3781908M1	1	Bridle	18-18

1-WN08-010-B



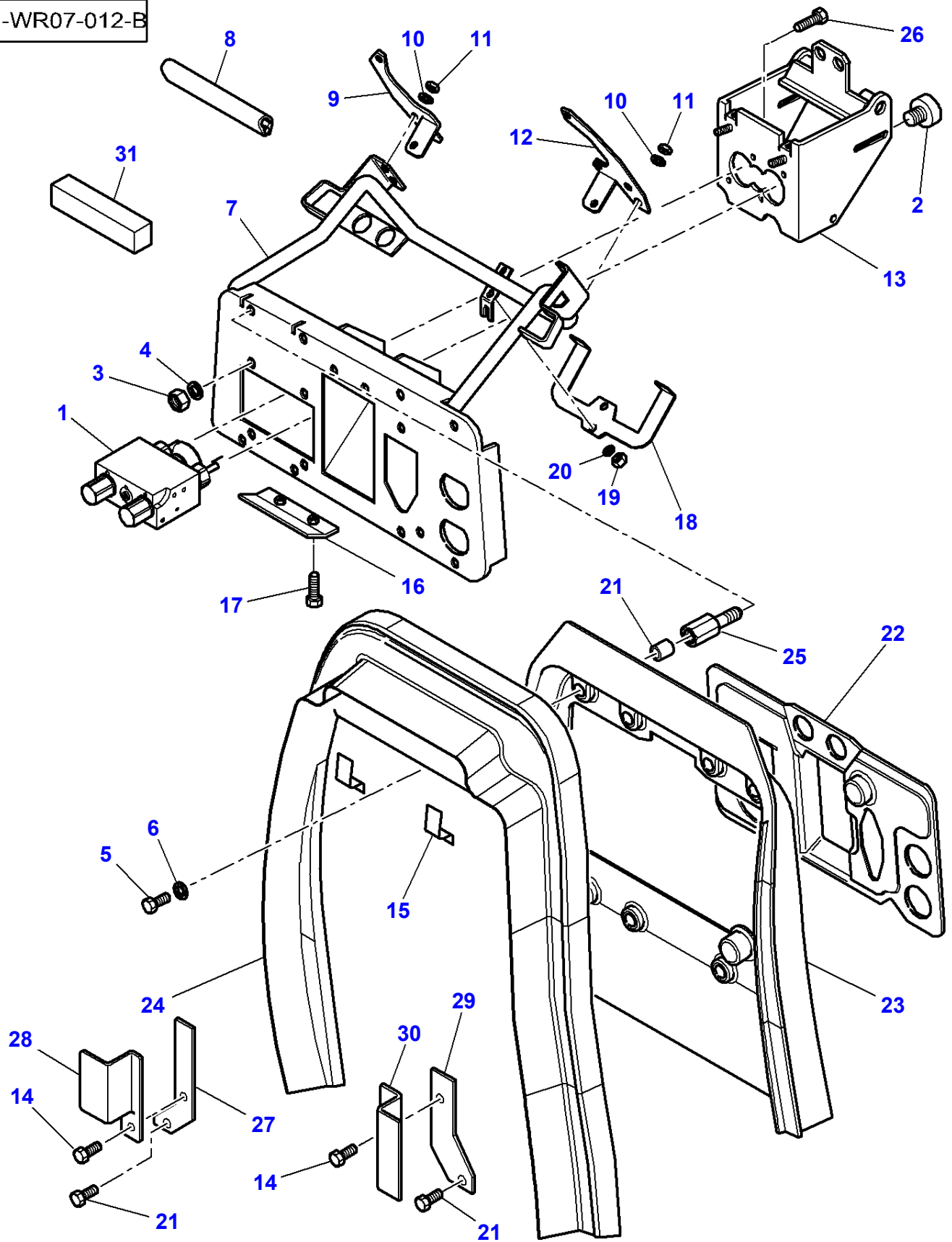
Front Suspension Hydraulic Lines

Item	Part Number	Qty	Description	Comments
1	338747X91	1	Union	
2	338764X1	1	Seal	(1)
3	3001345X91	1	Union	
4	338763X1	1	Seal	(3)
5	338795X91	1	Union	
6	338762X1	1	Seal	(5)
7	4281635M1	1	Hydr. Hose	3300 MM R321048
	4291429M1	1	Hydr. Hose	[B] 2900 MM R321049
8	4281636M4	1	Hydr. Hose	2900 MM
9	4281637M2	1	Hydr. Hose	2750 MM
10	3010808X1	1	Clip	
11	3787918M1	1	Union	
12	4279276M1	1	Cable Tie	[A]
13	3781907M1	1	Bridle	
14	339159X1	1	Bolt	M8 X 65
15	4286707M2	2	Bridle	
16	339337X1	2	Bolt	M8 X 30
17	339169X1	2	Nut	M8

FOOTNOTE [A] GREEN**FOOTNOTE [B]** VALID ALSO FOR TRACTOR R313045

MF 8470/8480 TRACTOR (TIER 3) - 3906071
1-WR07-012-B

1-WR07-012-B



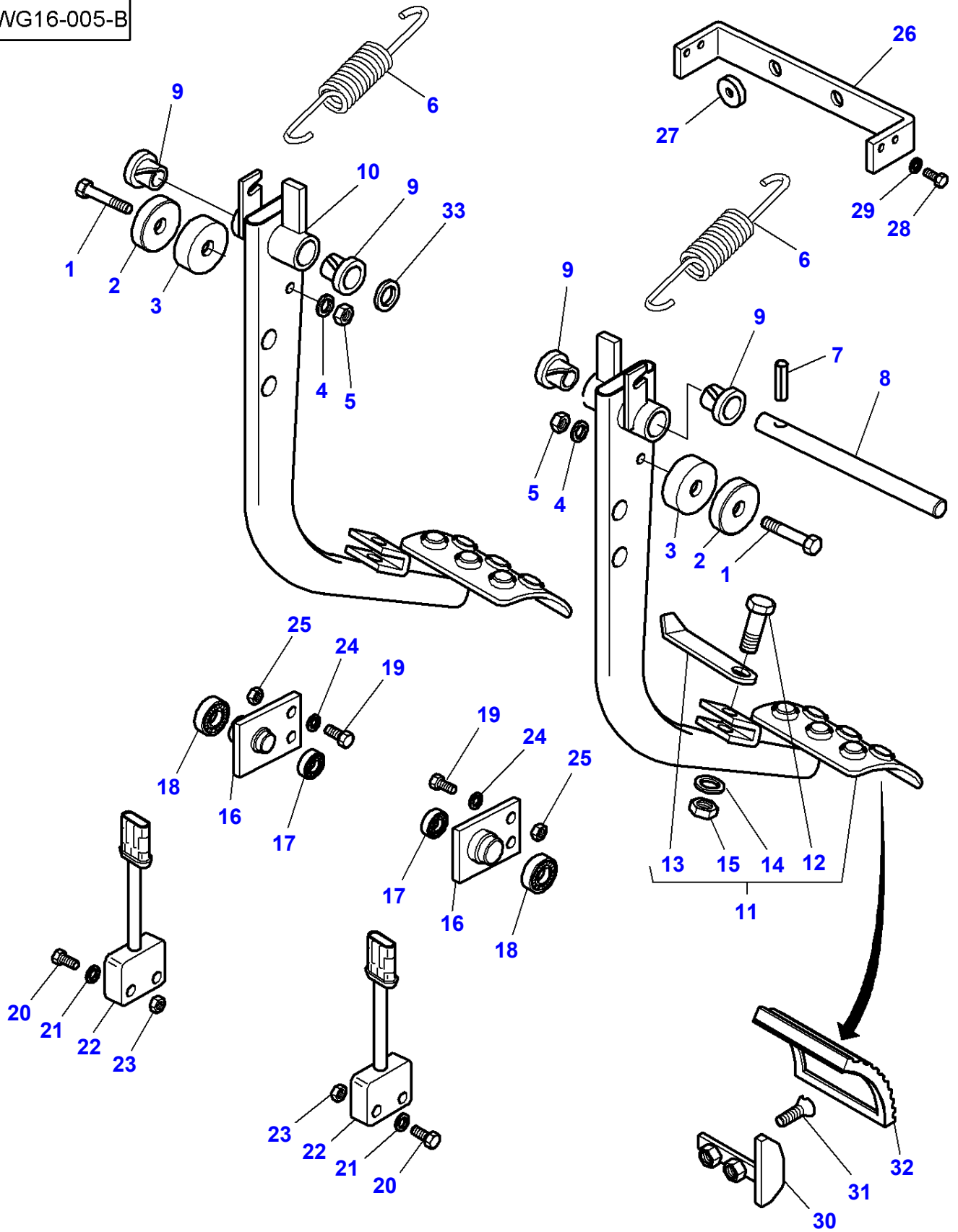
Brackets Pedal

Item	Part Number	Qty	Description	Comments
1	4270774M1	1	Pressure Valve	070-0075/1
2	4270770M4	1	Button	
3	339169X1	2	Nut	M8
4	390972X1	4	Flat Washer	8-17 X 1,7
5	339124X1	8	Bolt	M8 X 16
	339761X1	2	Bolt	M8 X 25
6	391039X1	8	Flat Washer	8-24 X 2
7	4270570M98	1	Support	
8	3580695M1	1	Gasket	[A] 1600 MM
9	4270577M2	1	Plate Clamping	
10	390971X1	4	Flat Washer	6-12 X 1,5
11	1441462X1	4	Locknut	M6
12	4270576M2	1	Plate Clamping	
13	4270599M2	1	Support	
14	339666X1	2	Bolt	M6 X 20
15	4276478M2	2	Strap	
16	3785650M1	1	Stop	
17	339666X1	2	Bolt	M6 X 20
				...
	391074X1	2	Bolt	M6 X 12
				...
18	4271236M2	1	Strap	
19	1441462X1	2	Locknut	M6
20	390971X1	2	Flat Washer	6-12 X 1,5
21	339123X1	2	Bolt	M8 X 20
22	4272627M4	1	Case Assy	
23	4271063M5	1	Bulkhead	
24	4276474M1	1	Protection.	
25	4274753M2	7	Stud	M8 X 50
	4277120M1	1	Stud	M8 X 65
26	339666X1	4	Bolt	M6 X 20
27	4275483M1	1	Strap	
28	4275484M1	1	Strap	
29	4275485M1	1	Strap	
30	4275486M1	1	Strap	
31	3778749M1	1	Foam	25 X 15 X 80 MM

FOOTNOTE [A] CUT TO REQUIRED LENGTH

MF 8470/8480 TRACTOR (TIER 3) - 3906071
1-WG16-005-B

1-WG16-005-B

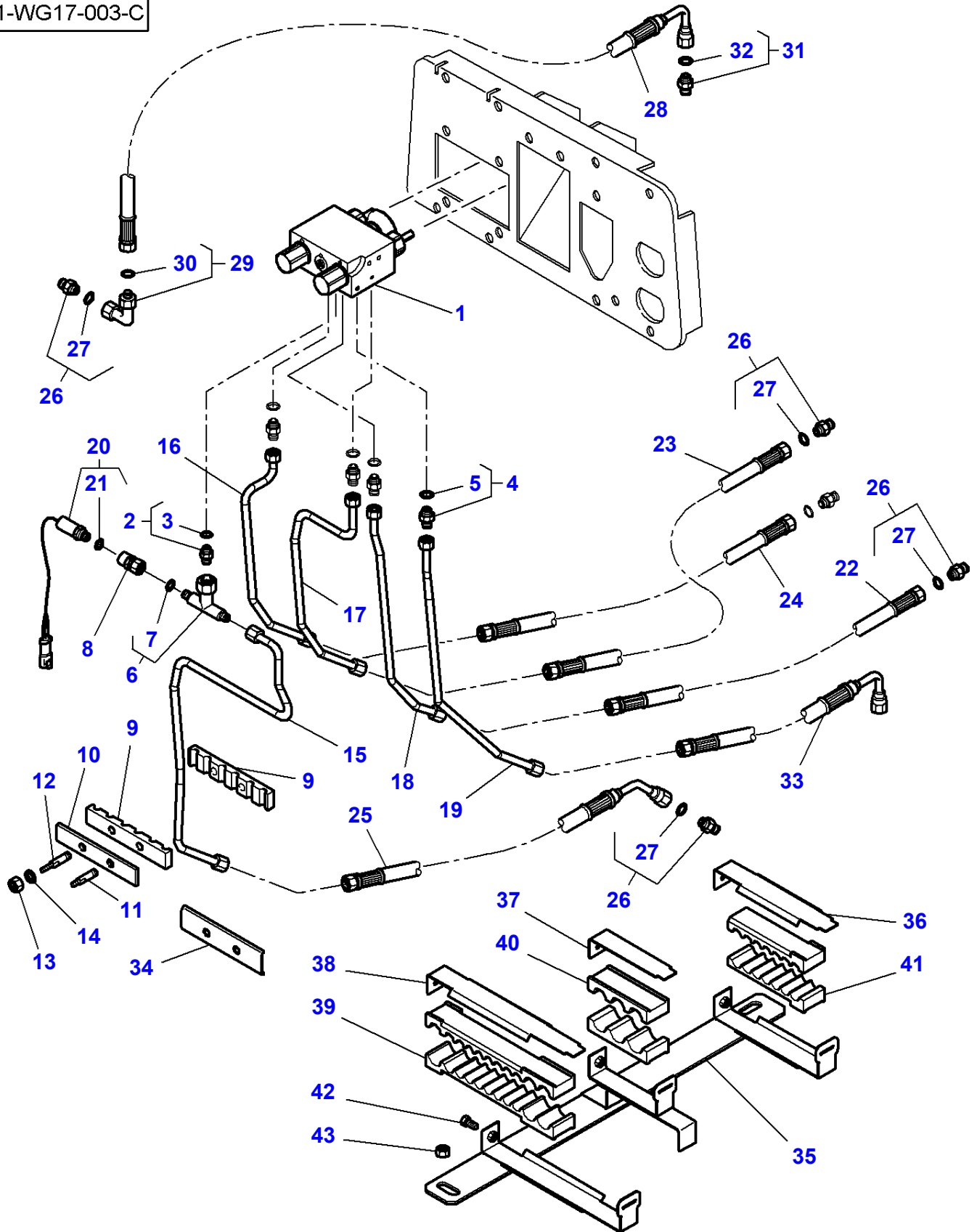


Brake Pedals

Item	Part Number	Qty	Description	Comments
1	3010895X1	2	Screw Metric	M4 X 35
2	X830.120.050.000	2	Magnet	
3	3788754M1	2	Spacer	26 X 14
4	339102X1	2	Flat Washer	4-9 X 1
5	3019139X1	2	Nut	M4
6	3785651M1	2	Spring	
7	391290X1	1	Roll Pin	5 X 30
8	3785652M2	1	Clevis Pin	15 X 154
9	3385604M2	4	Bearing	
10	4271598M2	1	Brake Pedal	
11	4272615M92	1	Brake Pedal	
12	391990X1	1	Screw	(11) M8 X 25
13	4272621M1	1	Latch	(11)
14	1441782X1	1	Cup Spring	(11)
15	394367X1	1	Locknut	(11) M8
16	4270768M2	2	Support	
17	391077X1	2	Bear. 6005 2rs	47-25
18	339800X1	2	Bear. 6007 2rs	62-35
19	3009508X1	4	Bolt	M12 X 40
20	3010818X1	4	Hex Socket Screw	M4 X 20
21	339102X1	4	Flat Washer	4-9 X 1
22	H312.900.150.010	2	Solenoid Switch	
23	3019139X1	4	Nut	M4
24	390735X1	4	Flat Washer	12-24 X 2,5
25	1440330X1	4	Locknut	M12
26	4270773M1	1	Stop	
27	3713404M1	2	Plug	15
28	3009280X1	4	Screw	M6 X 12
29	390971X1	4	Flat Washer	6-12 X 1,5
30	3714488M4	1	Stop	
31	392404X1	2	Screw	M5 X 12
32	1626321M2	2	Skate	
33	339794X1	1	Washer Metric	15-26 X 1

MF 8470/8480 TRACTOR (TIER 3) - 3906071
1-WG17-003-C

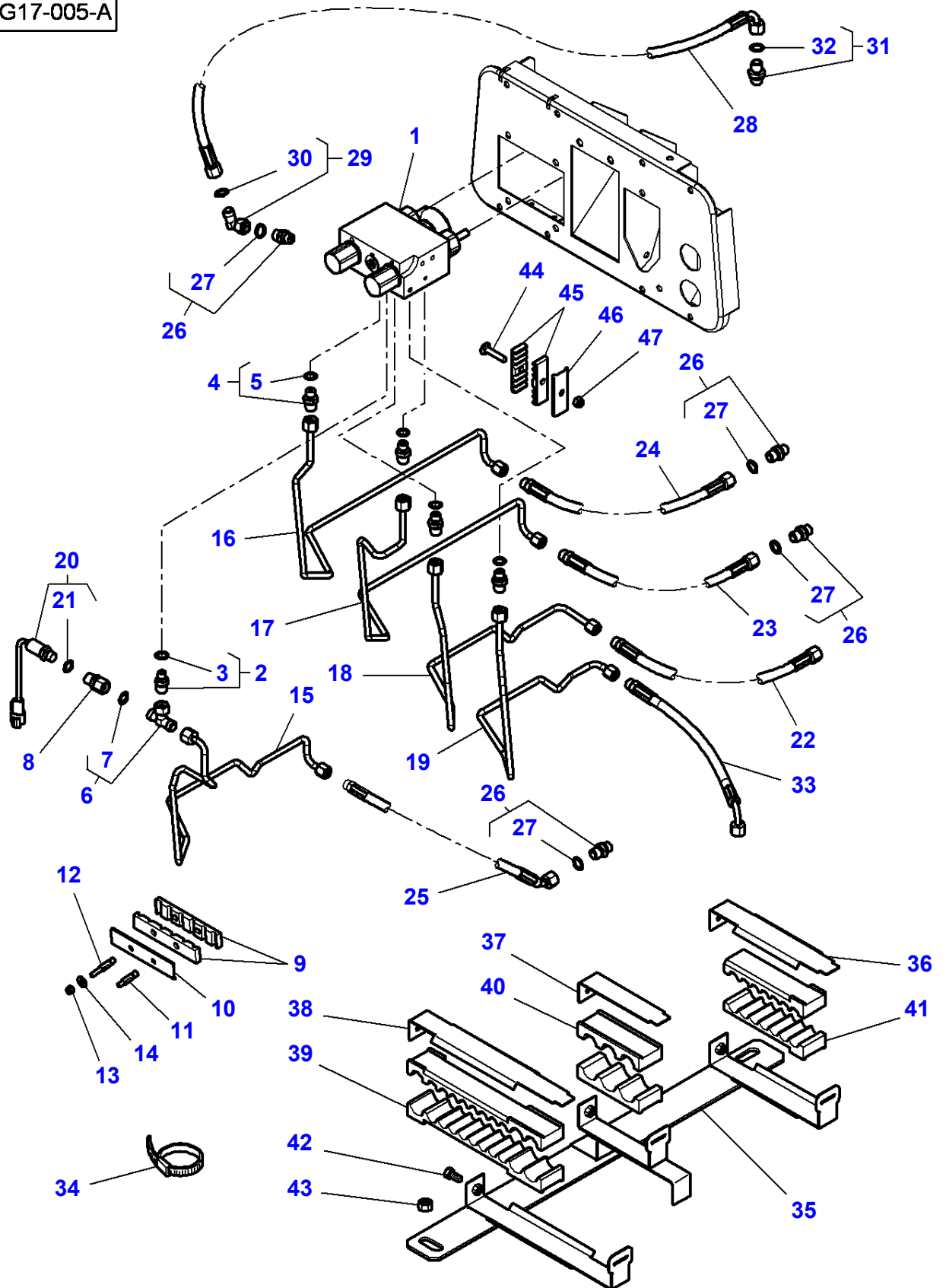
1-WG17-003-C



Brakes - Hydraulic Pipes

Item	Part Number	Qty	Description	Comments
1	4270774M1	1	Pressure Valve	070-0075/1
2	3011554X91	1	Union	M12X1.5
3	338761X1	1	O Ring	(2)
4	3011038X91	4	Union	M14X1.5
5	338762X1	1	Seal	(4)
6	3011553X91	1	T-Piece	M16x1.5
7	3011144X1	1	O Ring	(6)
8	4276754M1	1	Union	
9	4275100M1	2	Bridle	
10	4275670M1	1	Plate	...
11			Not Used	
12	4270451M1	1	Stud	M8 / M6
13	1441500X1	1	Top Locknut	M6
14	391038X1	3	Flat Washer	6-18 X 1,5
15	4275096M3	1	Tube	
16	4275094M2	1	Tube	
17	4275095M2	1	Tube	
18	4275097M2	1	Tube	
19	4275098M2	1	Tube	
20	4275671M2	1	Transducer	
21	3907427M1	1	Gasket	(20)
22	4276152M4	1	Hydr. Hose	1460 MM
23	4276156M2	1	Hydr. Hose	2100 MM
24	4276155M2	1	Hydr. Hose	1700 MM
25	4277412M3	1	Hydr. Hose	1700 MM
26	3011038X91	4	Union	M14X1.5
27	338762X1	1	Seal	(26)
28	4276158M2	1	Hydr. Hose	1750 MM
29	3011543X91	1	Union	M16X1.5
30	3011144X1	1	O Ring	(29)
31	3011547X91	1	Union	M16X1.5
32	338763X1	1	Seal	(31)
33	4276157M2	1	Hydr. Hose	400 MM
34	4275670M2	1	Plate	...
35	4286579M1	1	Support	
36	4286581M1	1	Support	
37	4286573M1	1	Support	
38	4286580M1	1	Support	
39	4286592M1	2	Bridle	
40	4286571M1	2	Bridle	
41	4286593M2	2	Bridle	
42	339230X1	3	Hex. Sock. Screw	M6 X 10
43	3009695X1	2	Nut	M12

1-WG17-005-A



Brakes - Hydraulic Pipes

Item	Part Number	Qty	Description	Comments
1	4270774M1	1	Pressure Valve	070-0075/1
2	3011554X91	1	Union	M12X1.5
3	338761X1	1	O Ring	(2)
4	3011038X91	4	Union	M14X1.5
5	338762X1	1	Seal	(4)
6	3011553X91	1	T-Piece	M16x1.5
7	3011144X1	1	O Ring	(6)
8	4276754M1	1	Union	
9	4275100M1	2	Bridle	
10	4275670M2	1	Plate	
11	3778279M1	1	Stud	M8 X 28
12	4270451M1	1	Stud	M8 / M6
13	1441500X1	1	Top Locknut	M6
14	391038X1	1	Flat Washer	6-18 X 1,5
15	4294648M1	1	Tube	
16	4285962M3	1	Tube	
17	4285961M2	1	Tube	
18	4295535M1	1	Tube	
19	4295537M1	1	Tube	
20	4275671M2	1	Transducer	
21	3907427M1	1	Gasket	(20)
22	4294642M1	1	Hydr. Hose	1200 MM
23	4294644M1	1	Hydr. Hose	1530 MM
24	4294643M1	1	Hydr. Hose	1120 MM
25	4294647M1	1	Hydr. Hose	1190 MM
26	3011038X91	4	Union	M14X1.5
27	338762X1	1	Seal	(26)
28	4276158M2	1	Hydr. Hose	1750 MM
29	3011543X91	1	Union	M16X1.5
30	3011144X1	1	O Ring	(29)
31	3011547X91	1	Union	M16X1.5
32	338763X1	1	Seal	(31)
33	4294645M1	1	Hydr. Hose	390 MM
34	4279271M1	2	Cable Tie	[A]
	4279272M1	2	Cable Tie	[B]
	4279273M1	2	Cable Tie	[C]
	4279275M1	2	Cable Tie	[D]
	4279276M1	2	Cable Tie	[E]
35	4286579M1	1	Support	
36	4286581M1	1	Support	
37	4286573M1	1	Support	
38	4286580M1	1	Support	
39	4286592M1	2	Bridle	
40	4286571M1	2	Bridle	
41	4286593M2	2	Bridle	
42	339230X1	3	Hex. Sock. Screw	M6 X 10
43	3009695X1	2	Nut	M12
44	339127X1	1	Bolt	M8 X 40
45	4285944M1	2	Bridle	
46	4286081M2	1	Plate	
47	394367X1	1	Locknut	M8

FOOTNOTE [A] YELLOW

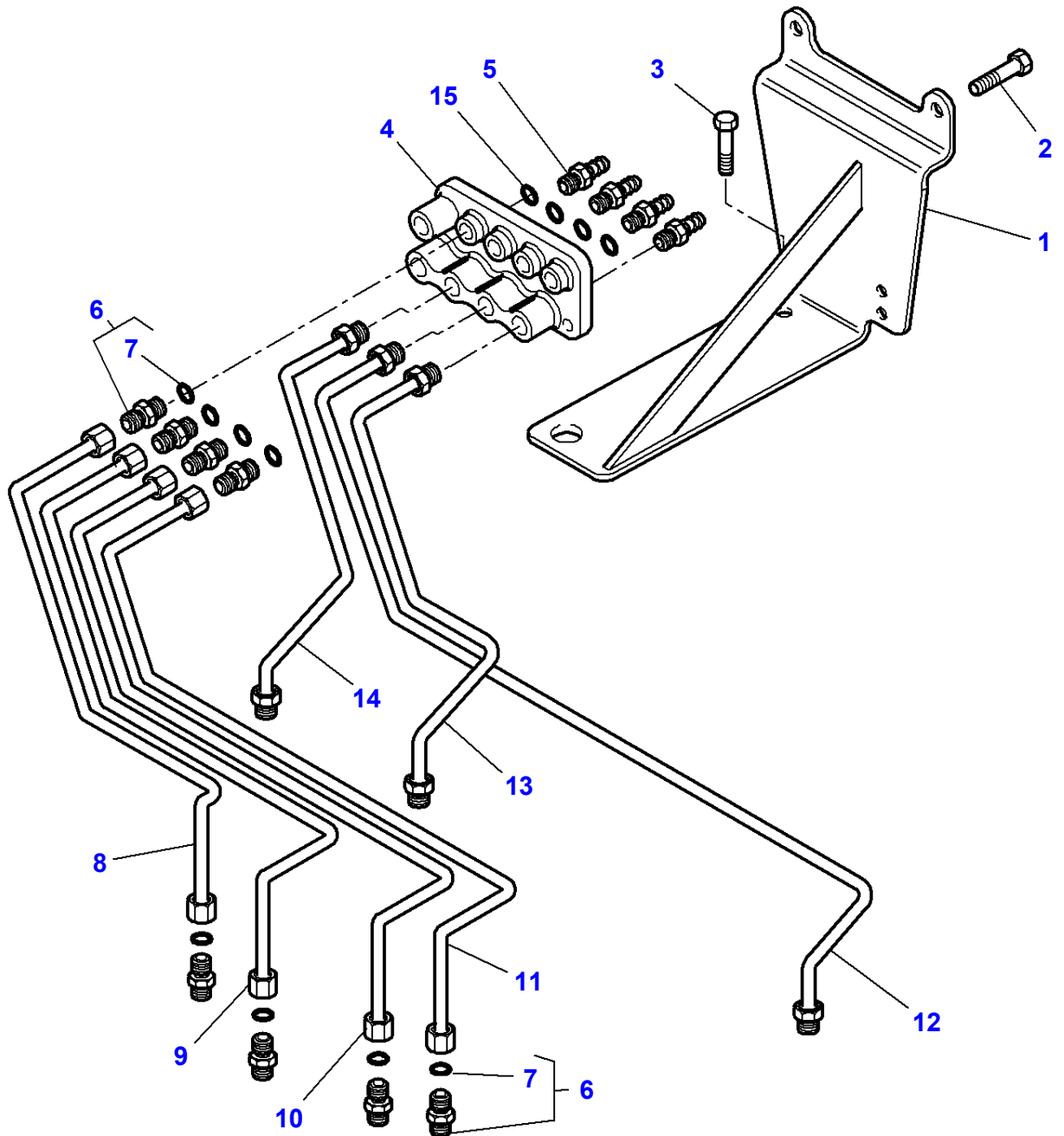
FOOTNOTE [B] ORANGE

FOOTNOTE [C] RED

FOOTNOTE [D] BLUE

FOOTNOTE [E] GREEN

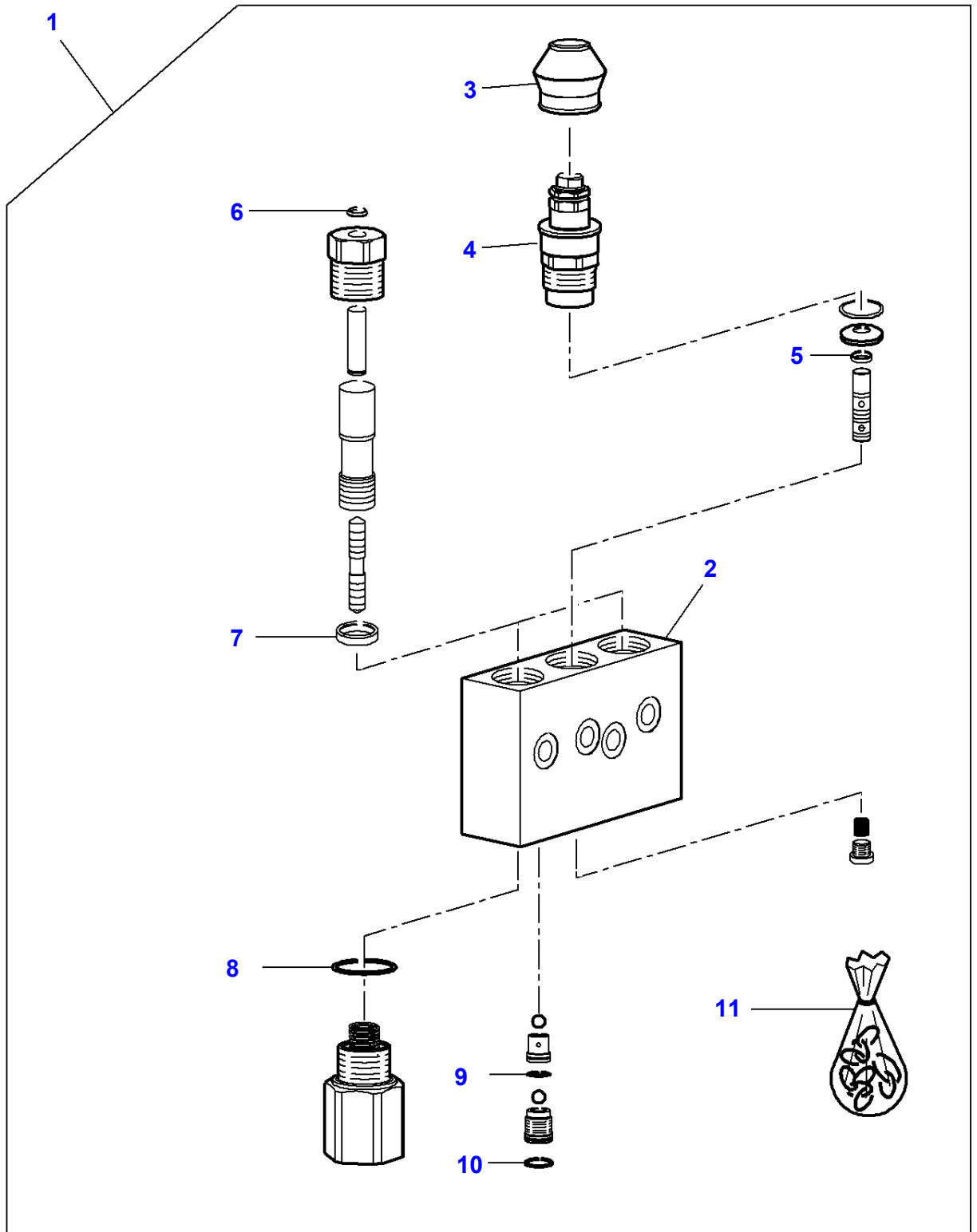
1-WG17-004-B



Massey Ferguson**MF 8470/8480 TRACTOR (TIER 3) - 3906071****3906071****Brakes - Hydraulic Pipes****Page070-0070**

Item	Part Number	Qty	Description	Comments
1	4275565M2	1	Support	
2	339123X1	2	Bolt	M8 X 20
3	3009493X1	1	Bolt	M10 X 30 20-FEB-2006
	3009496X1	1	Bolt	M10 X 45 21-FEB-2006
4	903.150.070.010	1	Center Piece	
5	G514.100.100.060	4	Breather Valve	
6	338906X91	8	Union	
7	338760X1	1	O Ring	(6)
8	4274999M2	1	Tube	
9	4274998M2	1	Tube	
10	4274997M2	1	Tube	
11	4274996M2	1	Tube	
12	4274986M1	1	Tube	
13	4275000M1	1	Tube	
14	4274985M1	1	Tube	
15	3823236M1	4	Washer	

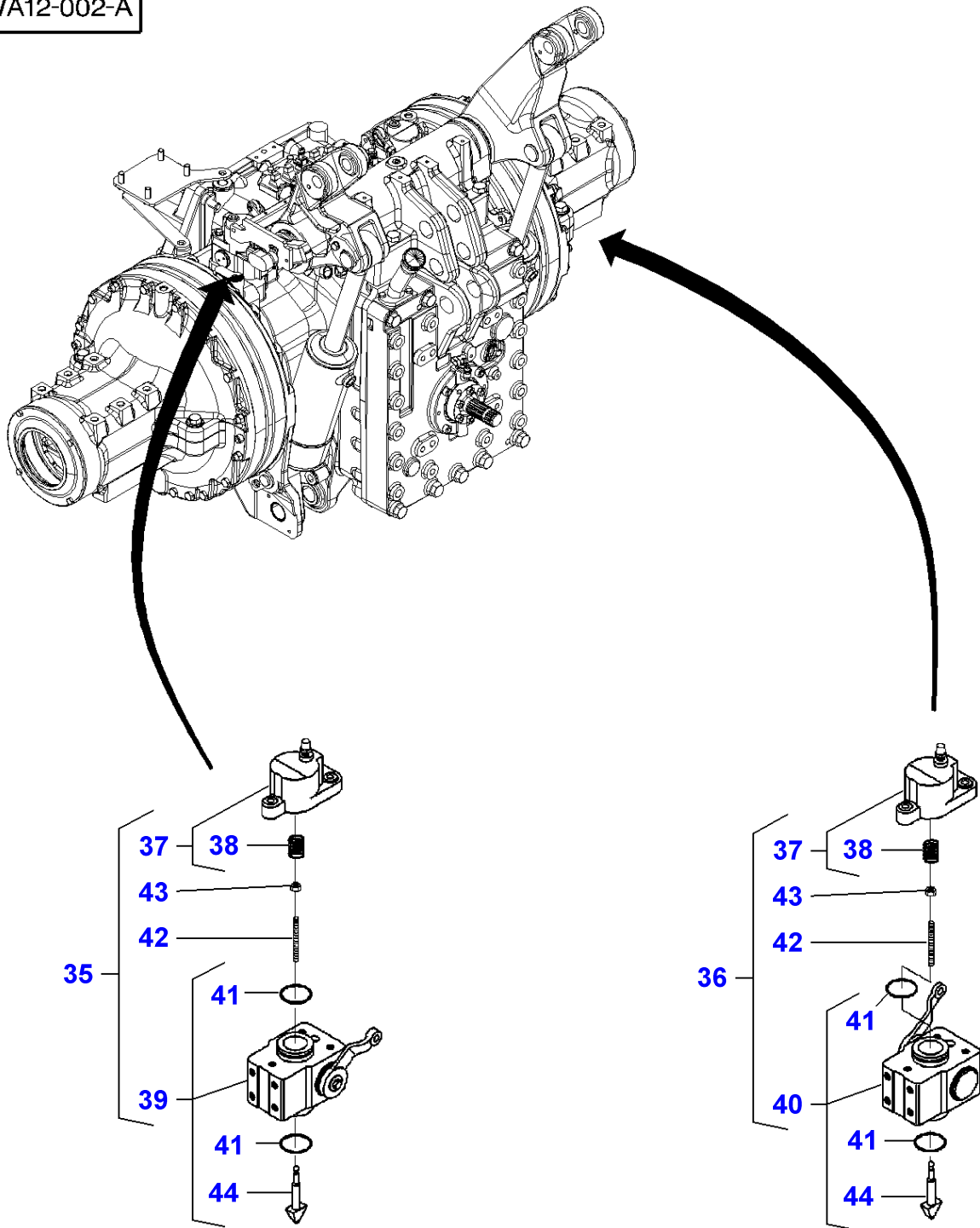
1-WY30-001-B



Massey Ferguson**MF 8470/8480 TRACTOR (TIER 3) - 3906071****3906071****Brake Valve****Page070-0075**

Item	Part Number	Qty	Description	Comments
1	4270774M1	1	Pressure Valve	
2		1	Valve Body	(1) REF. 1
3		1	Protection.	(1) REF. 11
4	3907905M1	1	Valve	(1)
5		1	Gasket	(1) REF. 11
6		1	Gasket	(1) REF. 11
7		1	Gasket	(1) REF. 11
8		1	Gasket	(7) REF. 11
9		1	O Ring	(1) REF. 11
10		1	O Ring	(1) REF. 11
11	3907823M91	1	Kit, Repair	(1)

1-WA12-002-A



Hydraulic Brake Assy

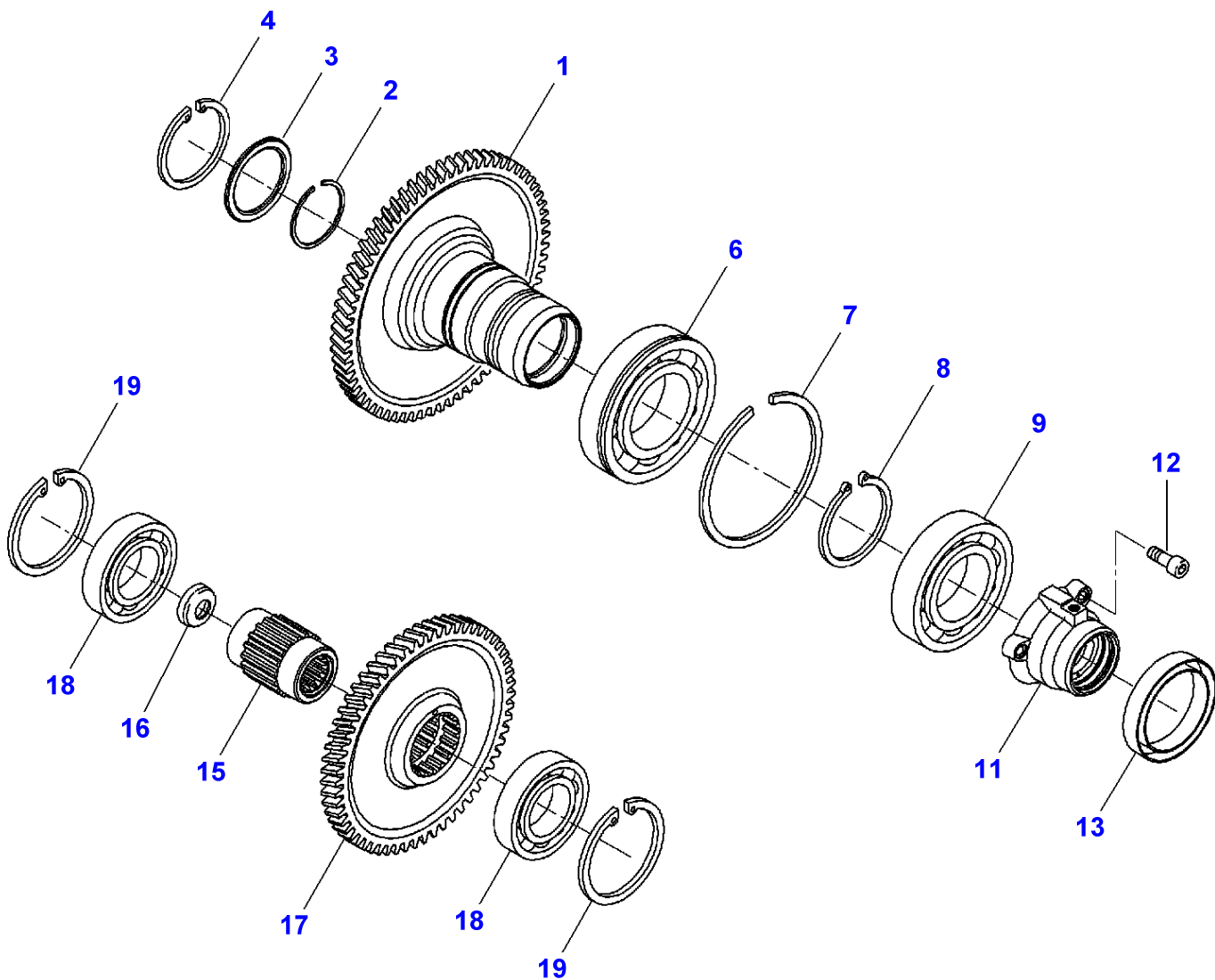
Item	Part Number	Qty	Description	Comments
35	G903.150.070.100	1	Cylinder	[A]
36	G903.150.070.110	1	Cylinder	[B]
37	F716.150.070.050	1	Cyl Head Part	
38	F822.100.070.060	1	Comp.Spring	(37)
39	G822.100.070.380	1	Wheel Cylinder	[C]
40	G822.100.070.390	1	Wheel Cylinder	[C]
41	F822.100.070.040	2	O Ring	
42	F524.101.070.140	1	Grub Screw	
43	X428.202.839.000	1	Nut	M10
44	F822.100.070.030	1	Wedge	

FOOTNOTE [A] INCLUDES REF : 37 TO 39-41 TO 44

FOOTNOTE [B] INCLUDES REF : 37-38-40 TO 44

FOOTNOTE [C] INCLUDES REF : 41-44

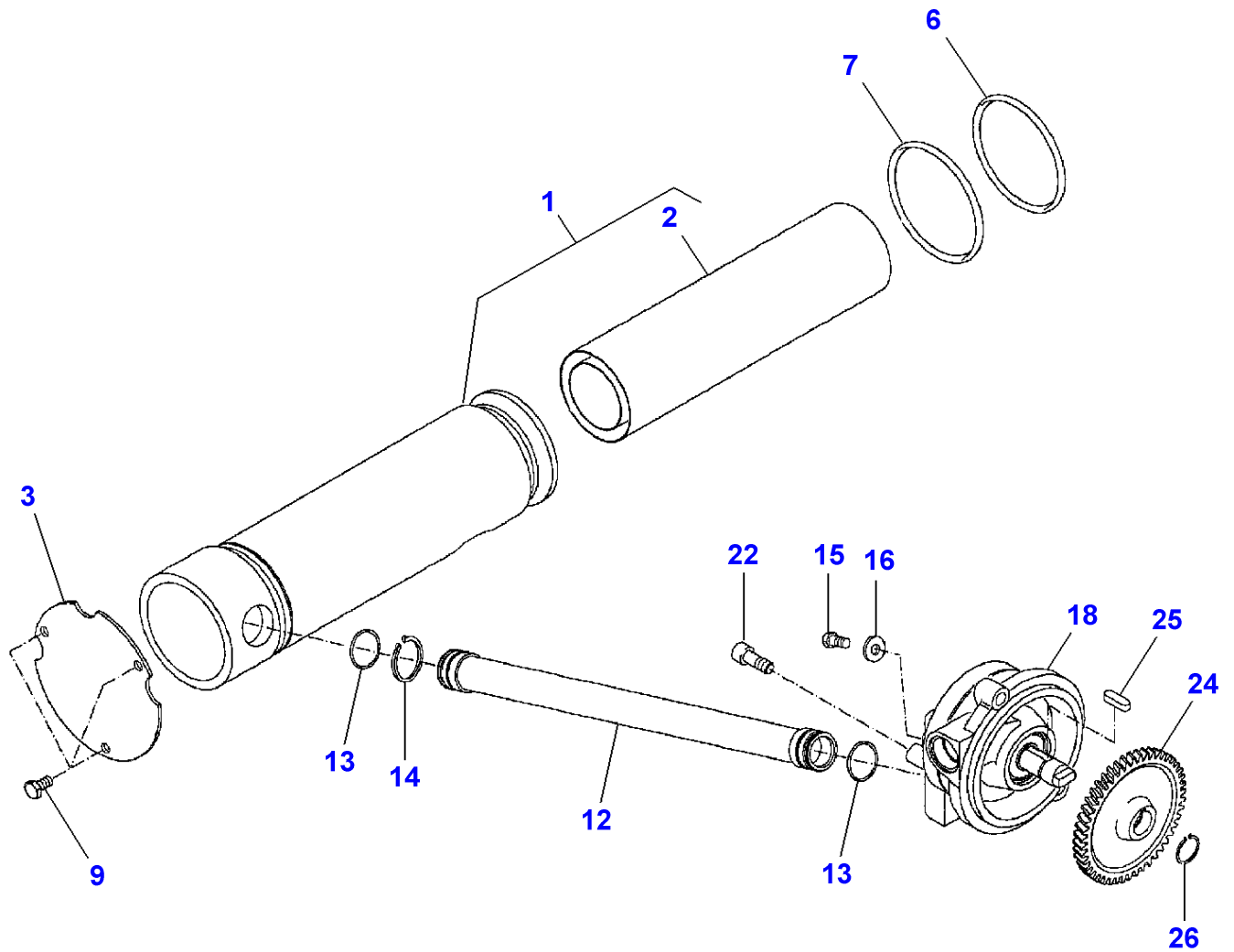
1-WG80-002-A



Massey Ferguson**MF 8470/8480 TRACTOR (TIER 3) - 3906071****3906071****Pump Drive****Page070-0085**

Item	Part Number	Qty	Description	Comments
1	903.100.490.050	1	Spur Gear	
2	X533.212.000.000	1	Snpring	
3	916.100.490.040	1	Disc	
4	X530.106.046.000	1	Circlip	52 X 2
6	X605.511.411.003	1	Ball Bearing	
7	X532.503.846.000	1	Snpring	
8	X530.006.146.000	1	Circlip	55 X 2
9	X605.505.900.000	1	Ball Bearing	
11	903.100.490.010	1	Housing	
12	X485.013.205.000	3	Hex. Sock. Screw	M10 X 30
13	X550.108.900.000	1	Shaft Seal	50 X 65 X 8
15	903.100.490.080	1	Shaft	
16	903.100.490.170	1	Cover	
17	903.100.490.060	1	Spur Gear	
18	X605.505.811.000	2	Bear. 6009	
19	X530.107.246.000	2	Circlip	75 X 2,5

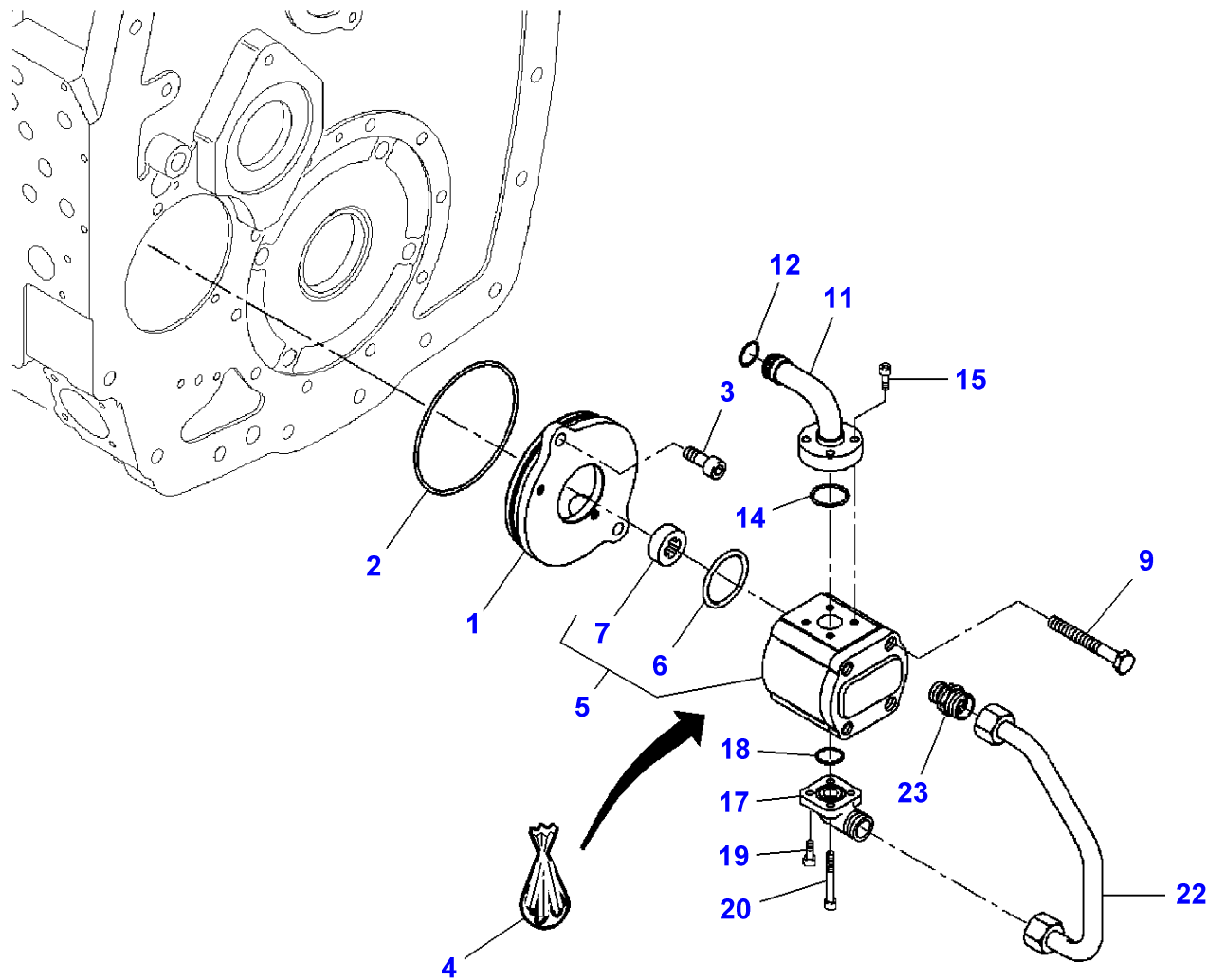
1-WG82-002-A



Massey Ferguson**MF 8470/8480 TRACTOR (TIER 3) - 3906071****3906071****Lube Oil Pump - Filter****Page070-0090**

Item	Part Number	Qty	Description	Comments
1	G916.100.490.021	1	Suction Filter	
2	F916.100.490.010	1	Filter	(1)
3	916.100.490.180	1	Cover	
6	X548.987.066.000	1	O Ring	105 X 3
7	X548.989.201.000	1	O Ring	108 X 3
9	X487.527.941.000	3	Screw	M8 X 25
12	H916.100.490.010	1	Pipe	
13	X548.878.200.000	2	O Ring	27 X 3
14	X530.004.146.000	1	Circlip	32 X 1,5
15	X487.526.841.000	1	Screw	M8 X 16
16	178.810.030.450	1	Disc	
18	G916.100.490.012	1	Oil Pump	
22	X485.013.305.000	2	Hex. Sock. Screw	M10 X 35
24	903.100.490.100	1	Spur Gear	
25	178.107.080.030	1	Key Parallel	
26	X530.215.446.000	1	Circlip	20 X 1,5

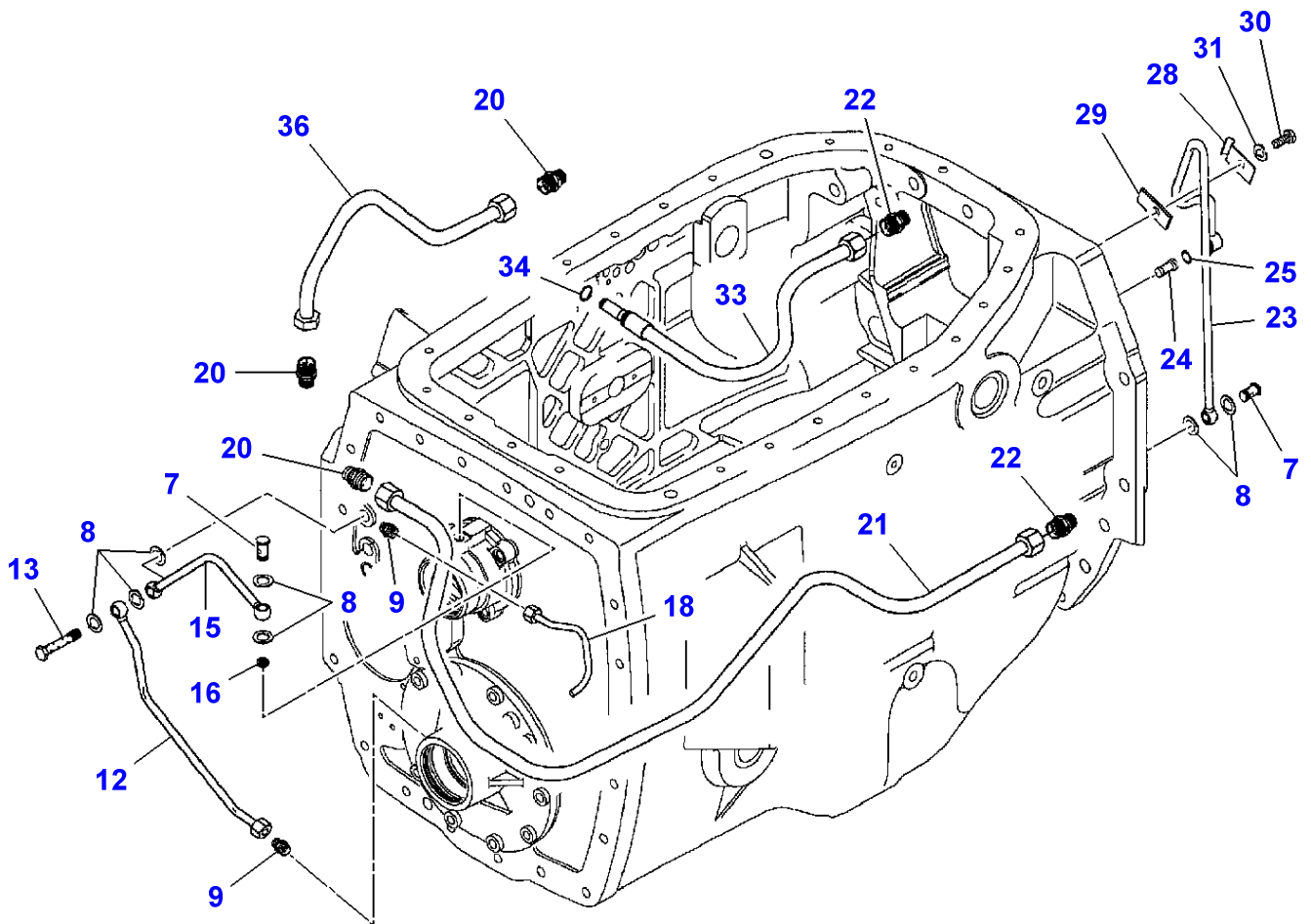
1-WG92-001-A



Massey Ferguson**MF 8470/8480 TRACTOR (TIER 3) - 3906071****3906071****Feed Pump - System Comfort****Page070-0095**

Item	Part Number	Qty	Description	Comments
1	916.100.490.131	1	Cover	
2	X548.995.902.000	1	O Ring	115 X 2,5
3	X485.013.205.000	2	Hex. Sock. Screw	M10 X 30
4	F279.940.050.040	1	Kit, Joint	
5	G916.100.490.030	1	Gear Pump	
6	F916.100.490.020	1	O Ring	(5)
7	F279.940.050.030	1	Driving	(5)
9	X487.534.001.000	2	Screw	M10 X 105
11	H718.100.490.011	1	Union	
12	X548.848.016.000	1	O Ring	16 X 3
14	X548.868.966.000	1	O Ring	22,3 X 2,4
15	X485.005.305.000	4	Hex. Sock. Screw	M6 X 25
17	X593.816.300.000	1	Flanged Socket	
18	X548.860.601.000	1	O Ring	20 X 2,5
19	X485.004.405.000	2	Hex. Sock. Screw	M16 X 16
20	X485.005.405.000	2	Hex. Sock. Screw	M16 X 30
22	H916.100.490.030	1	Tube	
23	X592.501.300.000	1	Thread. Part	

1-WG83-002-A



Item	Part Number	Qty	Description	Comments
7	X494.515.300.000	2	Banjo Bolt	
8	X540.003.678.000	7	Ring	
9	X592.501.000.000	2	Thread. Part	
12	H903.100.470.010	1	Pipe	[F]
13	X494.515.201.000	1	Banjo Bolt	
15	H916.100.470.131	1	Pipe	[D]
16	916.100.470.121	1	Nozzle	
18	H916.100.470.110	1	Pipe	[A]
20	X592.501.300.000	3	Thread. Part	
21	H916.100.470.121	1	Pipe	[C]
22	X592.501.303.000	2	Thread. Part	M16 X 1,5
23	H916.100.470.100	1	Pipe	[B]
24	198.100.080.520	1	Lub.Oil Pipe	
25	X548.818.015.000	1	O Ring	8 X 2,5
28	268.600.130.110	1	Clip	
29	025.840.020.110	1	Plate	
30	X487.526.841.000	1	Screw	M8 X 16
31	X450.006.308.000	1	Washer	
33	H916.100.620.121	1	Pressure Hose	[C]
34	X530.014.200.000	1	Circlip	16 X 1,2
36	H916.100.620.011	1	Pipe	[E]

FOOTNOTE [A] CONTROL PUMP

FOOTNOTE [B] BEVEL GEAR LUBRICATION

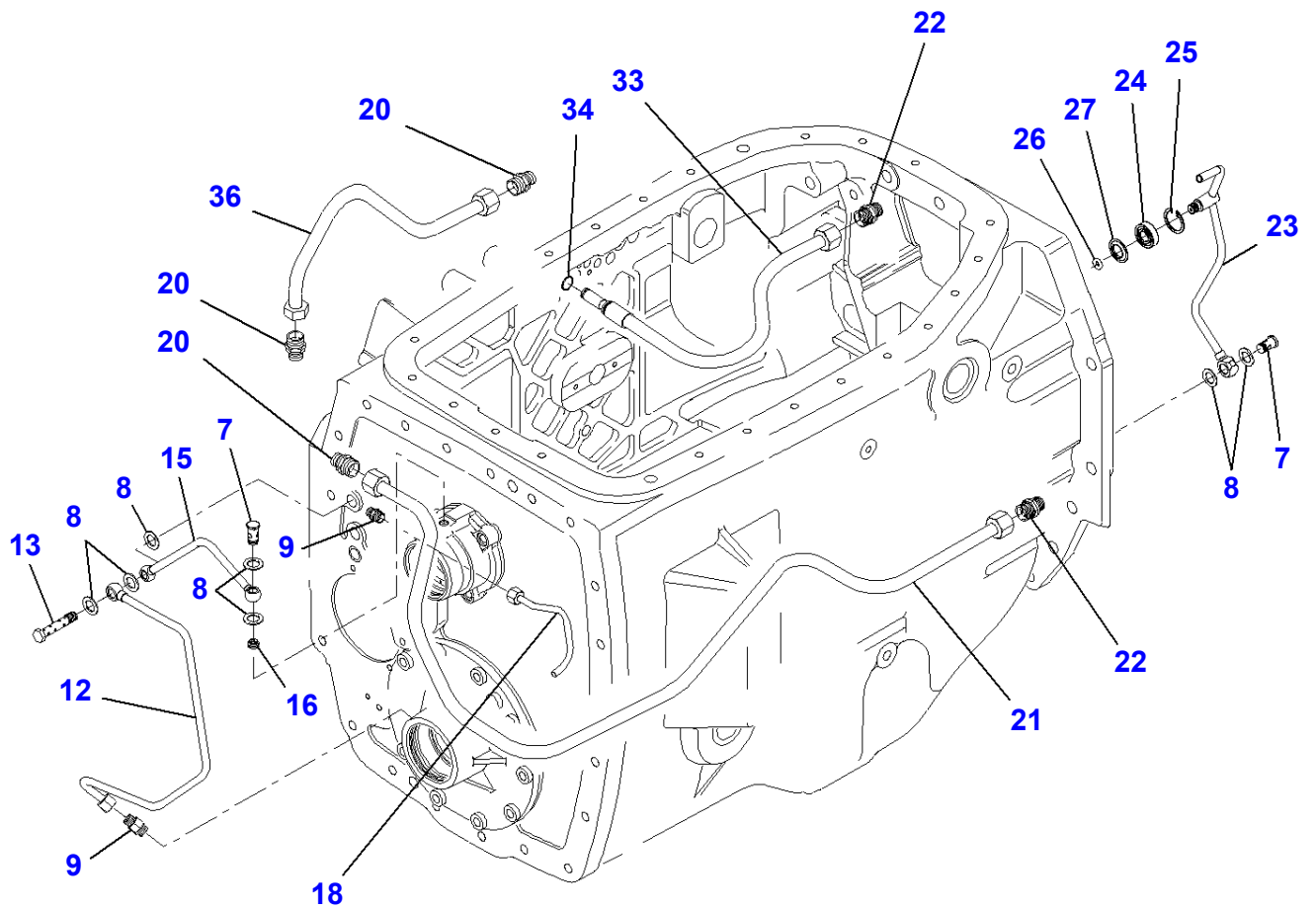
FOOTNOTE [C] REAR AXLE

FOOTNOTE [D] INPUTSHAFT

FOOTNOTE [E] DISTRIBUTOR

FOOTNOTE [F] BRAKE TRANSMISSION SHAFT

1-WG83-003-A



Item	Part Number	Qty	Description	Comments
7	X494.515.300.000	2	Banjo Bolt	
8	X540.003.678.000	7	Ring	
9	X592.501.000.000	2	Thread. Part	
12	H903.100.470.010	1	Pipe	[F]
13	X494.515.201.000	1	Banjo Bolt	
15	H916.100.470.131	1	Pipe	[D]
16	916.100.470.121	1	Nozzle	
18	H916.100.470.110	1	Pipe	[A]
20	X592.501.300.000	3	Thread. Part	
21	H916.100.470.121	1	Pipe	[C]
22	X592.501.303.000	2	Thread. Part	M16 X 1,5
23	H916.102.470.020	1	Tube	
24	X605.505.101.000	1	Ball Bearing	
25	X530.103.346.000	1	Circlip	
26	X548.809.500.000	1	O Ring	
27	X546.516.800.000	1	Shaft Seal	
33	H916.100.620.121	1	Pressure Hose	[C]
34	X530.014.200.000	1	Circlip	16 X 1,2
36	H916.100.620.011	1	Pipe	[E]

FOOTNOTE [A] CONTROL PUMP

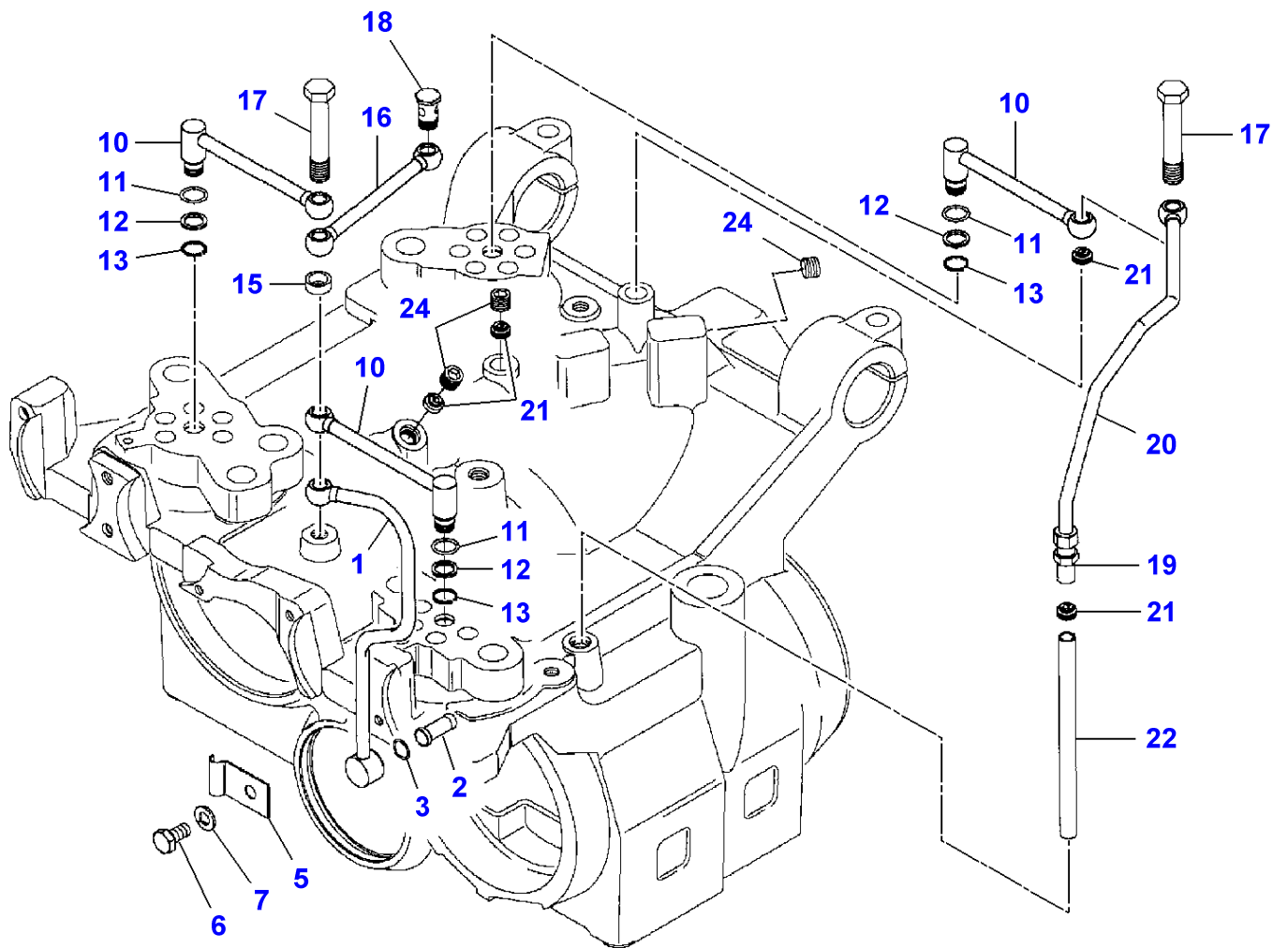
FOOTNOTE [C] REAR AXLE

FOOTNOTE [D] INPUTSHAFT

FOOTNOTE [E] DISTRIBUTOR

FOOTNOTE [F] BRAKE TRANSMISSION SHAFT

1-WG84-002-A

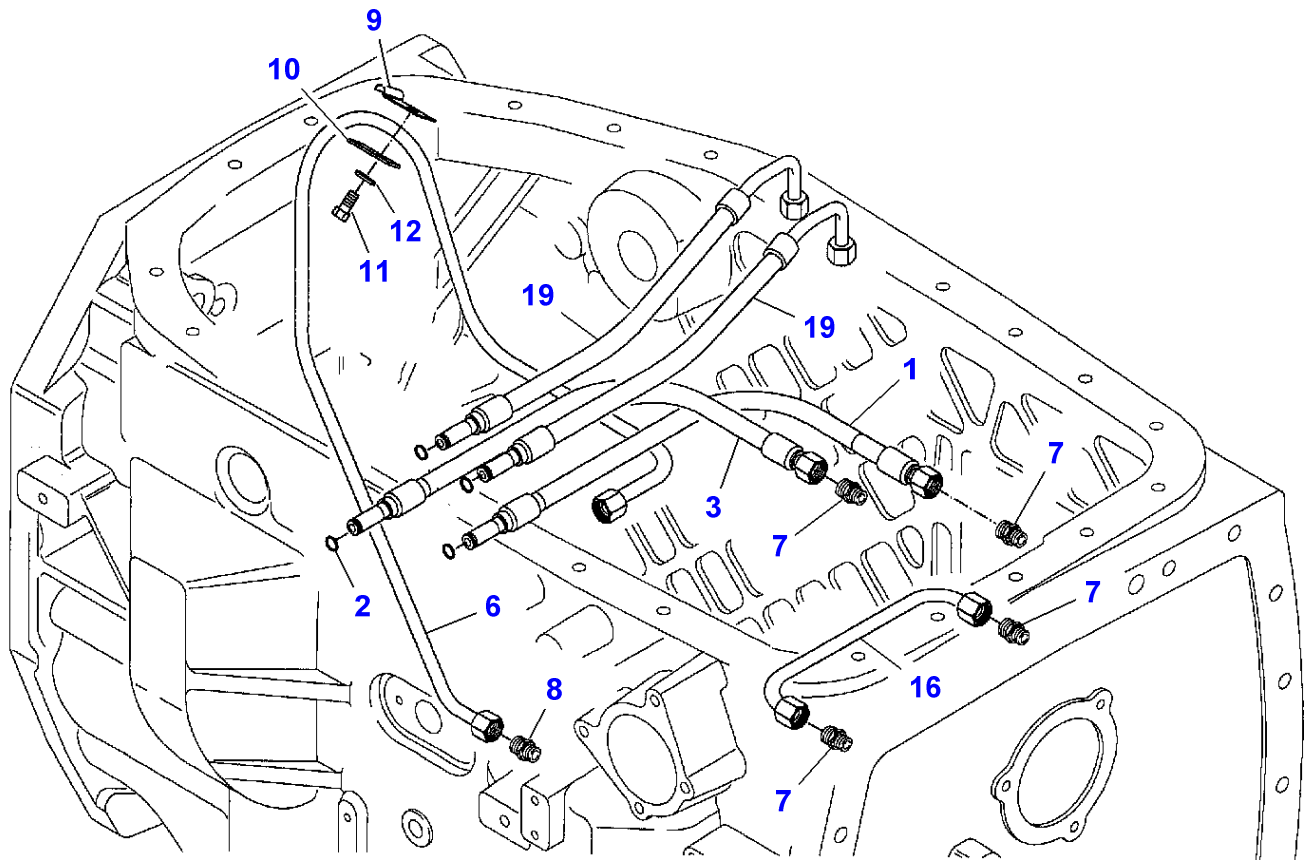


Massey Ferguson**MF 8470/8480 TRACTOR (TIER 3) - 3906071****3906071****Page070-0110****Gear Box Lubrication - Interior**

Item	Part Number	Qty	Description	Comments
1	H916.100.470.230	1	Pipe	[A]
2	198.100.080.520	1	Lub.Oil Pipe	
3	X548.818.015.000	1	O Ring	8 X 2,5
5	268.600.130.110	1	Clip	
6	X487.527.741.000	1	Screw	M8 X 20
7	X450.006.308.000	1	Washer	
10	H916.100.470.200	3	Pipe	
11	X548.833.602.000	3	O Ring	12,3 X 2,4
12	X534.535.346.000	3	Backup Ring	
13	X530.001.146.000	3	Circlip	12 X 1
15	225.100.100.160	1	Sleeve	
16	H916.100.470.220	1	Pipe	
17	916.100.470.210	2	Banjo Bolt	
18	X494.515.300.000	1	Banjo Bolt	
19	X592.501.000.000	1	Thread. Part	
20	X591.652.500.000	1	Pressure Hose	
21	916.100.470.121	4	Nozzle	
22	916.100.470.240	1	Pipe	
24	X483.500.600.000	3	Plug	M12 X 1,5

FOOTNOTE [A] MAIN SHAFT

1-WG94-001-A

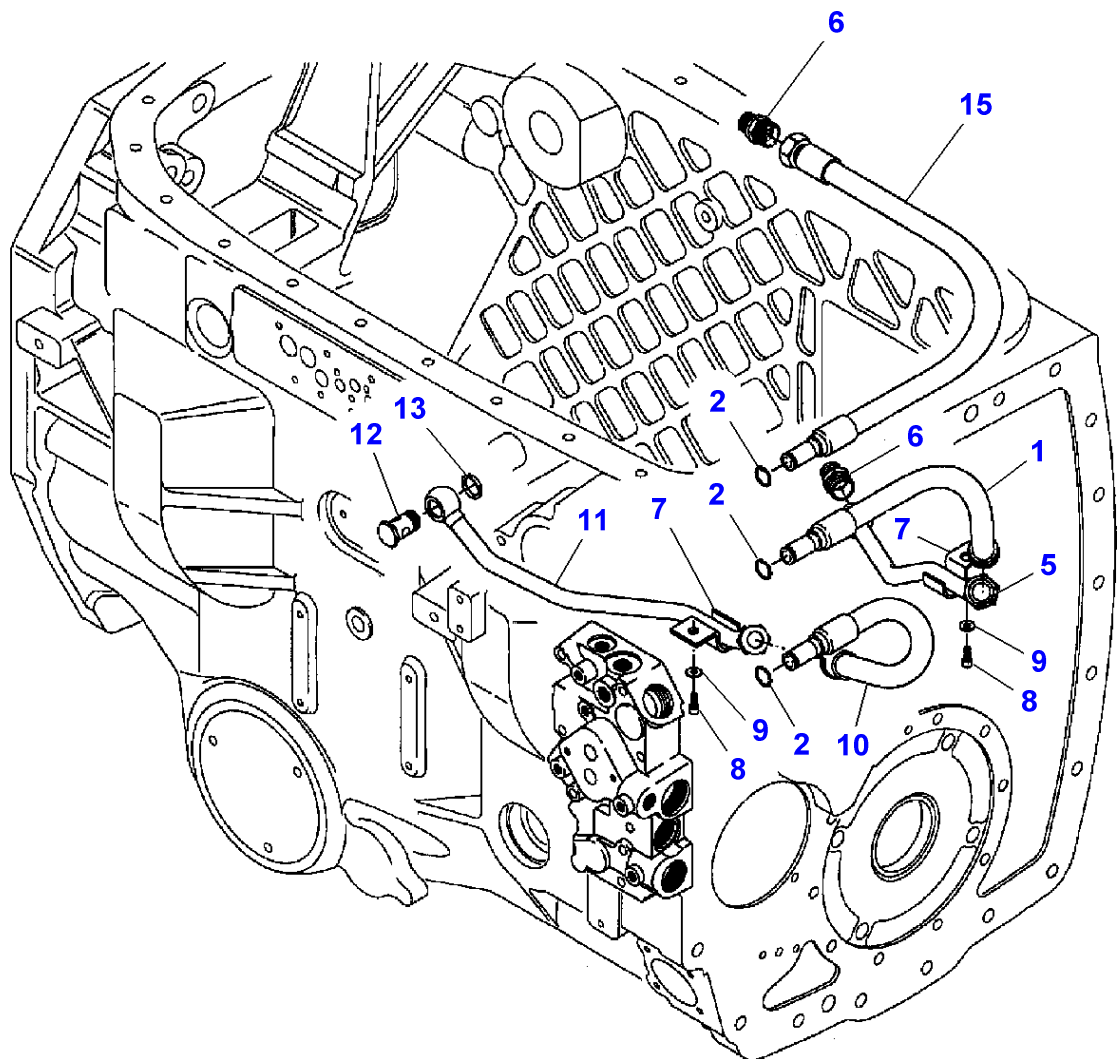


Hydraulic Circuit - Transmission

Item	Part Number	Qty	Description	Comments
1	H916.100.620.101	1	Pressure Hose	[A]
2	X531.001.146.000	5	Circlip	12 X 1,0
3	H916.100.620.101	1	Pressure Hose	[D]
6	H916.101.620.011	1	Pipe	[C]
7	X592.501.100.000	4	Thread. Part	
8	X592.502.500.000	1	Thread. Part	
9	268.600.130.110	1	Clip	
10	025.840.020.110	1	Plate	
11	X487.527.741.000	1	Screw	M8 X 20
12	X450.006.308.000	1	Washer	
16	H916.100.620.071	1	Pipe	[A]
19	H411.100.620.100	2	Pressure Hose	[B]

FOOTNOTE [A] REGULATOR**FOOTNOTE [B]** SELECTOR RAM**FOOTNOTE [C]** CONTROL**FOOTNOTE [D]** SPEED RESTRICTOR

1-WG94-002-A

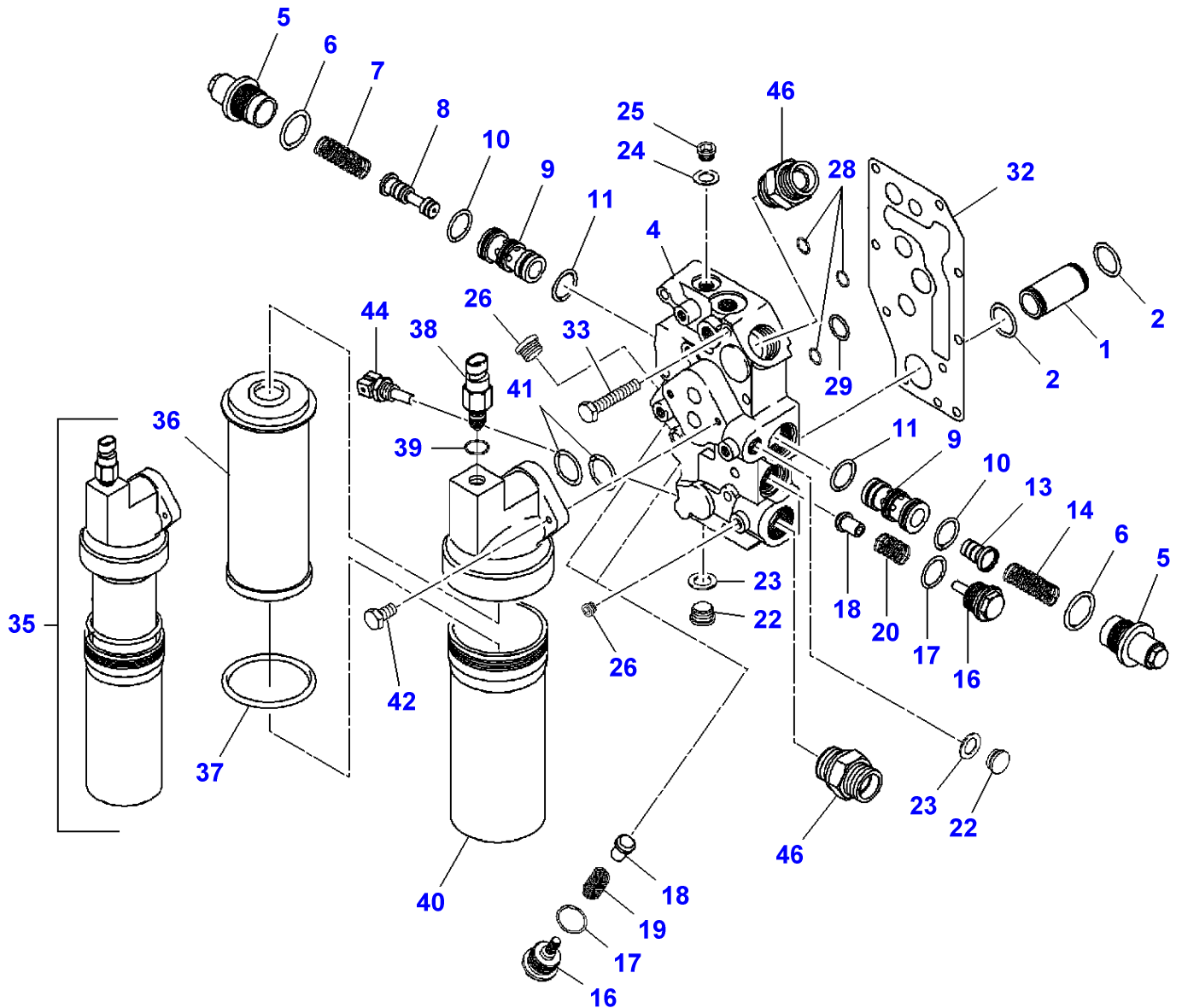


Massey Ferguson**MF 8470/8480 TRACTOR (TIER 3) - 3906071****3906071****Hydraulic Circuit - Transmission - Hydraulic Valve Block****Page070-0120**

Item	Part Number	Qty	Description	Comments
1	H916.100.620.130	1	Pressure Hose	[A]
2	X530.014.200.000	3	Circlip	16 X 1,2
5	H916.101.620.020	1	Pipe	[A]
6	X592.501.300.000	2	Thread. Part	
7	238.950.010.010	2	Clip	
8	X485.013.105.000	2	Hex. Sock. Screw	M10 X 25
9	X450.907.508.000	2	Disc	
10	H916.100.620.142	1	Pressure Hose	[B]
11	H916.100.620.061	1	Pipe	[B]
12	205.950.010.340	1	Banjo Bolt	
13	X542.541.001.000	1	Seal	
15	H916.100.620.121	1	Pressure Hose	[C]

FOOTNOTE [A] FEED SUPPLY**FOOTNOTE [B]** OUTPUT**FOOTNOTE [C]** HOUSING

1-WG85-002-A

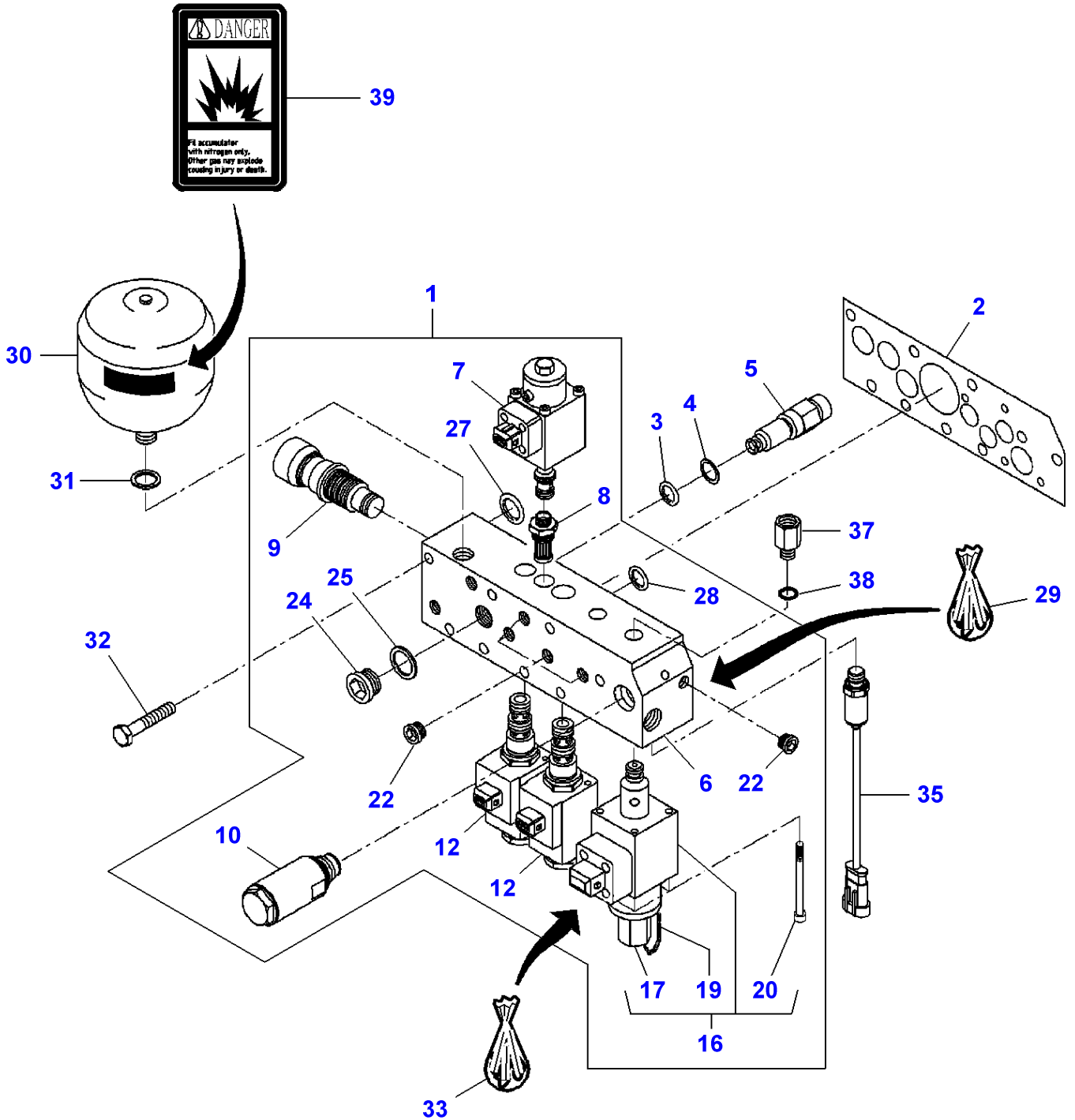


Hydraulic Valve Block - Pressure Filter

Item	Part Number	Qty	Description	Comments
1	916.100.600.220	1	Pipe	
2	X548.871.400.000	2	O Ring	24 X 2,5
4	G916.100.600.020	1	Valve Block	[A]
5	395.100.600.040	2	Sleeve	(4)
6	X548.881.466.000	2	O Ring	(4) 28 X 3
7	916.100.600.030	1	Comp.Spring	(4)
8	916.100.600.061	1	Piston	(4)
9	395.100.600.020	2	Cartridge	(4)
10	X548.871.466.000	2	O Ring	(4) 24 X 2,5
11	X548.870.566.000	2	O Ring	(4) 23,3 X 2,4
13	916.100.600.070	1	Piston	(4)
14	916.100.600.040	1	Comp.Spring	(4)
16	916.100.600.100	3	Screw	(4)
17	X548.868.866.000	3	O Ring	(4) 22,2 X 3
18	514.100.600.080	3	Cone	(4)
19	916.100.600.050	3	Comp.Spring	(4)
20	514.100.600.090	1	Comp.Spring	(4)
22	X483.801.600.000	2	Screw	(4) M18
23	X540.005.478.000	2	Ring	(4) 18 X 22
24	X540.004.278.000	1	Ring	(4) 14 X 20
25	X483.800.800.000	1	Plug	(4) M14
26	X483.900.000.000	6	Screw	(4) M10
28	X548.829.200.000	3	O Ring	(4) 11 X 3
29	X548.857.366.000	1	O Ring	(4) 18,72 X 2,62
32	916.100.600.210	1	Gasket	
33	X486.528.705.000	8	Screw	M8 X 60
35	G916.100.600.044	1	Filter	
36	F916.100.600.010	1	Filter Element	(35)
37	X548.960.666.000	1	O Ring	(35) 76 X 2,5
38	F916.100.600.040	1	Switch	(35)
39	X548.833.602.000	1	O Ring	(35) 12,3 X 2,4
40	F916.100.600.030	1	Housing	(35)
41	X548.881.466.000	2	O Ring	28 X 3
42	X487.528.105.000	2	Screw	M8 X 30
44		1	Temp. Sensor	090-0115/38
46	X592.501.600.000	2	Thread. Part	

FOOTNOTE [A] ORDER + 916 100 600 210

1-WG86-002-A



Hydraulic Valve Block

Item	Part Number	Qty	Description	Comments
1	G916.101.600.012	1	Valve Block	[E]
2	916.100.600.201	1	Gasket	
3	X548.809.016.000	1	O Ring	5,3 X 2,4
4	X566.300.600.000	1	Backup Ring	10 X 5,9 X 1
5	716.100.600.091	1	Union	
6		1	Body	(1) REF. 1
7	G916.100.600.142	1	Solenoid Valve	[B] (1)
8	G916.100.600.180	1	Insert Element	(1)
9	G916.101.600.020	1	Discharge Valve	(1)
10	G718.100.600.113	1	Slave Cylinder	(1)
12	G312.100.600.110	2	Directional Valv	[C] (1)
16	G716.100.600.122	1	Discharge Valve	[A] (1)
17	F716.100.600.080	1	Cap Nut	[G] (16)
19	F716.100.600.090	1	Chain	(16)
20	F716.100.600.040	4	Hex. Sock. Screw	(16)
22	X483.900.000.000	5	Screw	(1) M10
24	X483.801.200.000	1	Screw	(1) M16
25	X540.004.878.000	1	Ring	(1) 16 X 22
27	X548.829.200.000	1	O Ring	(1) 11 X 3
28	X548.813.100.000	4	O Ring	(1) 6,5 X 3
29	F916.101.600.010	1	Kit, Joint	
30	H916.100.600.010	1	Pressure Tank	[F]
31	X540.004.278.000	1	Ring	14 X 20
32	X486.528.705.000	7	Screw	M8 X 60
33	F716.100.600.100	1	Kit, Joint	
35		1	Transmitter	090-0115/25
37	X596.135.200.000	1	Thread. Part	
38	X540.003.878.000	1	Ring	12 X 18
39	3777021M3	1	Decal	

FOOTNOTE [A] CLUTCH

FOOTNOTE [B] EMERGENCY CONTROL

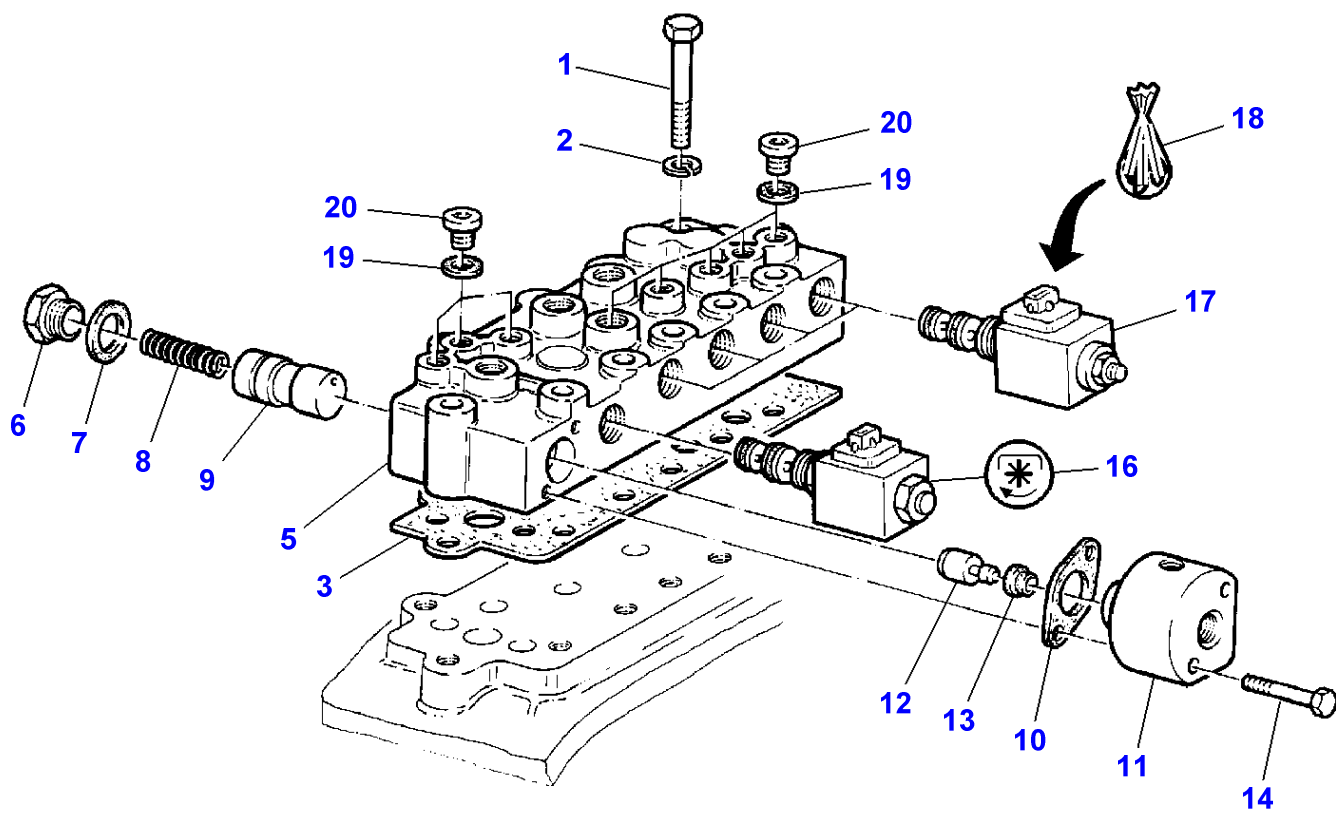
FOOTNOTE [C] GROUP GEAR SHIFTING

FOOTNOTE [E] ORDER + 916 100 600 201

FOOTNOTE [F] THE APPROPRIATE SAFETY DECALS MUST BE ORDERED AND FITTED TO THIS PART

FOOTNOTE [G] NOT SUPPLIED SEPARATELY

1-WG91-001-A



Hydraulic Valve Block - Solenoid Valve

Item	Part Number	Qty	Description	Comments
1	X486.529.005.000	12	Screw	M8 X 70
2	X520.803.901.000	12	Lock Washer	
3	822.100.600.021	1	Gasket	
5	G903.150.600.101	1	Valve Block	[A]
6	F903.150.600.030	1	Screw	(5)
7	X548.859.400.000	1	O Ring	(5) 19,4 X 2,1
8	822.100.600.060	1	Comp.Spring	(5)
9	F903.150.600.010	1	Piston	(5)
10	822.100.600.070	1	Gasket	(5)
11	F903.150.600.020	1	Timing Gear Case	(5)
12	822.100.070.451	1	Piston	(5)
13	X548.301.500.000	1	V-Seal	(5)
14	X487.522.341.000	2	Screw	(5) M6 X 50
16	G716.150.200.060	1	Valve	(5)
17	G411.151.600.020	4	Directional Valv	[B,C,D,E,F] (5)
18	F411.151.600.010	1	Kit, Joint	(17)
19	X540.003.078.000	8	Ring	(5)
20	X483.800.000.000	8	Screw	(5) M10

FOOTNOTE [A] ORDER + ITEM 3

FOOTNOTE [B] DIFFERENTIAL LOCK

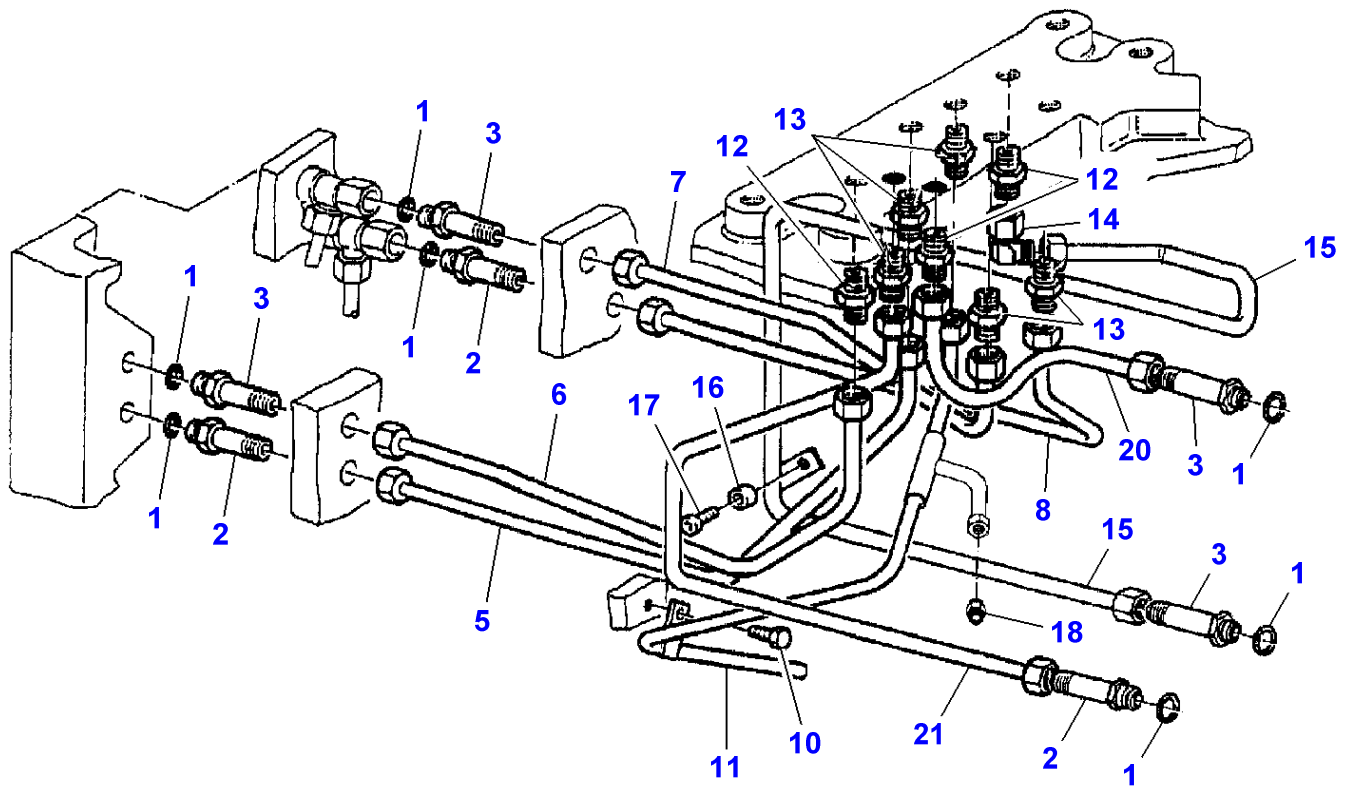
FOOTNOTE [C] POWER TAKE OFF 750 TR/MM

FOOTNOTE [D] POWER TAKE OFF 1000

FOOTNOTE [E] 4 WHEEL DRIVE

FOOTNOTE [F] PTO BRAKES

1-WG93-001-A

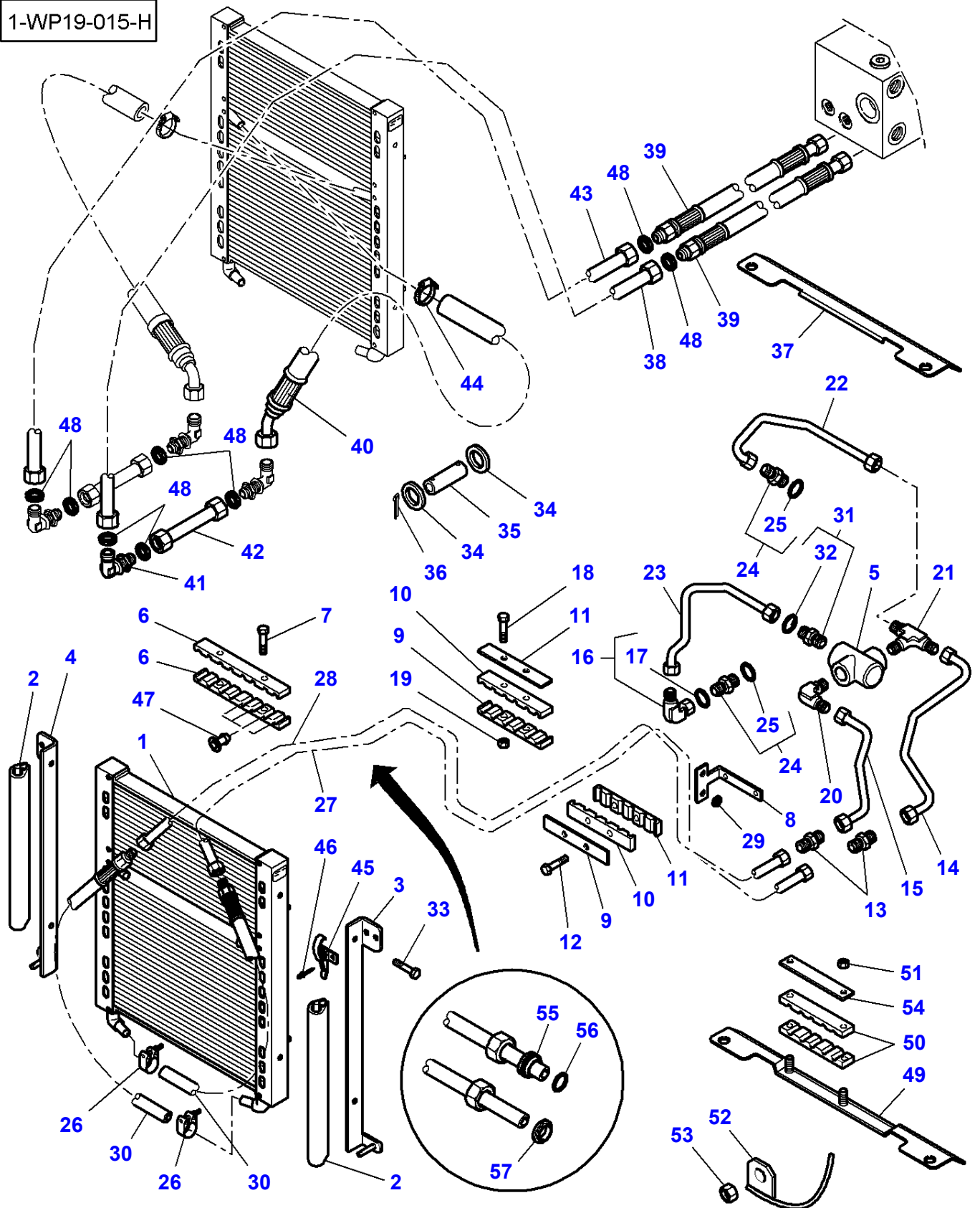


Massey Ferguson**MF 8470/8480 TRACTOR (TIER 3) - 3906071****3906071****Hydraulic Valve Block - Hydraulic Lines****Page070-0140**

Item	Part Number	Qty	Description	Comments
1	X548.830.066.000	7	O Ring	11,3 X 2,4
2	716.150.620.060	4	Union	
3	822.100.620.310	3	Union	
5	H926.150.620.220	1	Tube	
6	H926.150.620.210	1	Tube	
7	H926.150.620.240	1	Tube	
8	H926.150.620.230	1	Tube	
10	X487.527.305.000	1	Screw	M8 X 10
11	H926.150.620.200	1	Tube	
12	X592.501.200.000	3	Thread. Part	
13	X592.501.100.000	5	Thread. Part	
14	X584.316.900.000	1	Union	
15	H916.100.620.260	1	Tube	
16	822.100.620.320	1	Bush	
17	X493.613.105.000	1	Hex. Sock. Screw	M10 X 25
18	X592.501.100.000	1	Thread. Part	
20	H916.100.620.270	1	Tube	
21	H916.100.620.280	1	Tube	

MF 8470/8480 TRACTOR (TIER 3) - 3906071
1-WP19-015-H

1-WP19-015-H



Oil Cooler - Transmission Hydraulic

Item	Part Number	Qty	Description	Comments
1	4279293M1	1	Oil Cooler	
2	3782344M1	3	Gasket	475MM
3	4285325M1	1	Baffle	
4	4285324M1	1	Baffle	
5	4278849M1	1	Vane	
6	4275070M3	2	Bridle	
7	3009257X1	2	Screw	M6 X 35
8	4277411M3	1	Support	
9	4275691M3	2	Bridle	
10	4275692M2	2	Bridle	
11	4275693M2	2	Bridle	
12	3015134X1	2	Hex. Sock. Screw	M6 X 65
13	3011222X1	2	Union	
14	4279819M2	1	Tube	
15	4279814M2	1	Tube	
16	3011593X91	1	Union	M30 X 2
17	3011063X1	1	O Ring	(16)
18	1440922X1	2	Hex. Sock. Screw	M6 X 60
19	1441500X1	2	Top Locknut	M6
20	4279661M1	1	Union	
21	4279820M1	1	Union	
22	4279812M2	1	Tube	
23	4279811M3	1	Tube	
24	3011533X91	2	Union	M33
25	3011037X1	1	Seal	(24)
26	3788734M1	2	Clamp	27/29
27	4276743M4	1	Tube	
28	4276742M4	1	Tube	
29	390597X1	2	Flat Washer	10-30 X 2,5
30	4276141M2	2	Hydr. Hose	1150 MM
31	3011639X91	1	Union	
32	3011037X1	1	Seal	(31)
33	339560X1	4	Bolt	M6 X 16
34	339424X1	4	Washer	10,5-18 X 1,6
35	3781233M1	2	Roll	
36	1442967X1	4	Split Pin	2,5 X 16
37	4279824M2	1	Spacer	R321048
38	4276744M5	1	Tube	
39	4276142M2	2	Hydr. Hose	1270 MM
40	4276144M2	2	Hydr. Hose	950 MM
41	3011594X1	4	Union	
42	4276751M2	2	Tube	
43	4276745M5	1	Tube	
44	4277422M1	2	Clamp	23-25
45	3824482M91	2	Kit, Assembling	
46	3010021X1	4	Rivet	
47	3713404M1	X	Plug	[A,B] 15-30
48	3011808X1	8	Bush	
49	4279824M3	1	Spacer	[C] R321049
50	4286558M1	2	Bridle	[C] R321049
51	339030X1	2	Nut	[C] M6 R321049
52	4286717M1	1	Guide	R298037
53	3019862X1	1	Nut	[C] R321049
54	4291292M1	1	Reinforcement	MAY-2007
55		1	Gasket	[D,E]
56	3907946M1	1	Gasket	S312055 22 MM (type AR3)
57	3011809X1	1	Bush	S312056 22 MM (type EO2)

FOOTNOTE [A] WITHOUT FRONT LINKAGE

FOOTNOTE [B] WITHOUT HYDRAULIC COUPLING

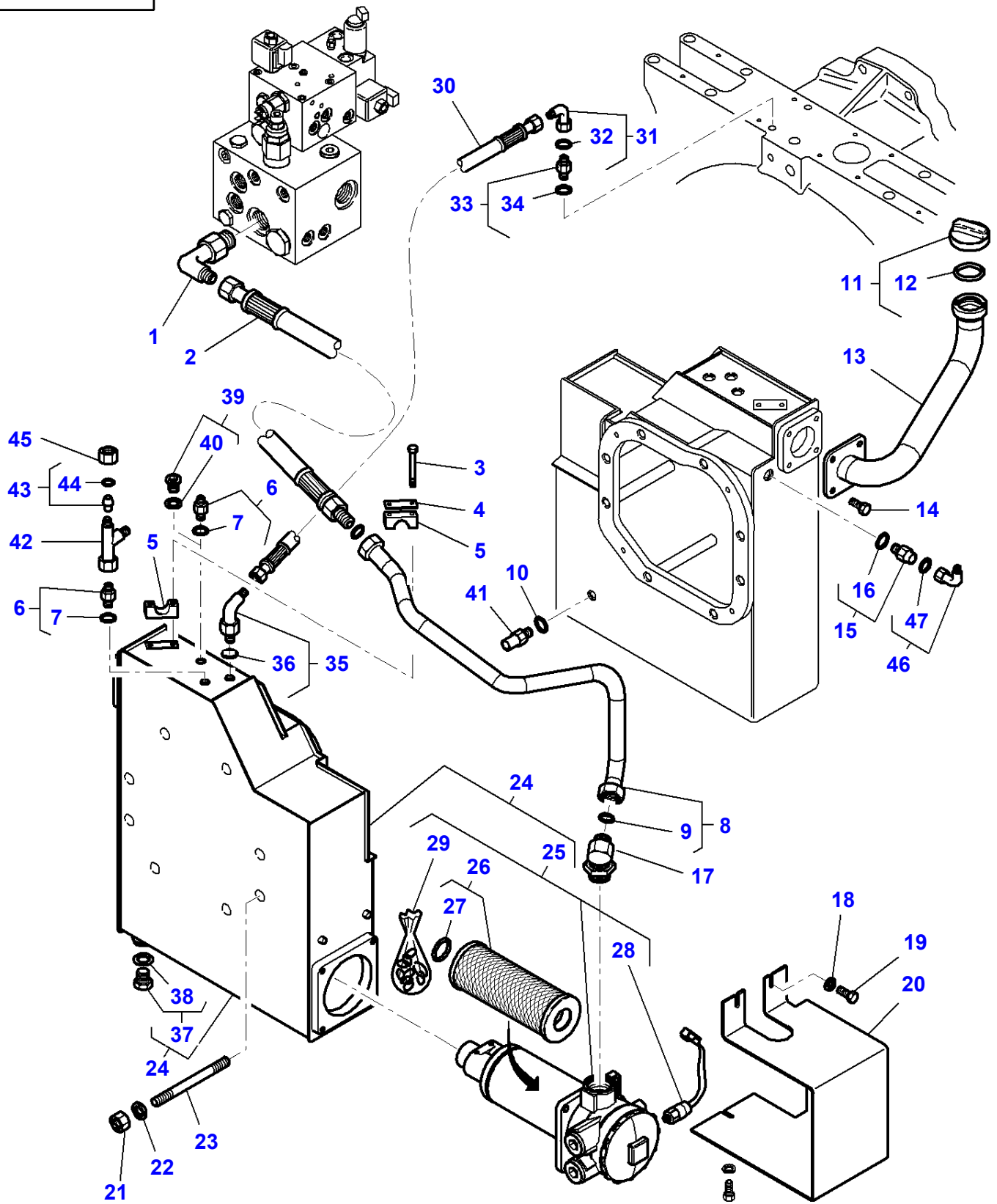
FOOTNOTE [C] VALID ALSO FOR TRACTOR R313045

FOOTNOTE [D] SQUARE SECTION

FOOTNOTE [E] NOT SUPPLIED

MF 8470/8480 TRACTOR (TIER 3) - 3906071
1-WP27-014-C

1-WP27-014-C



Auxiliary Hydraulics - Tank

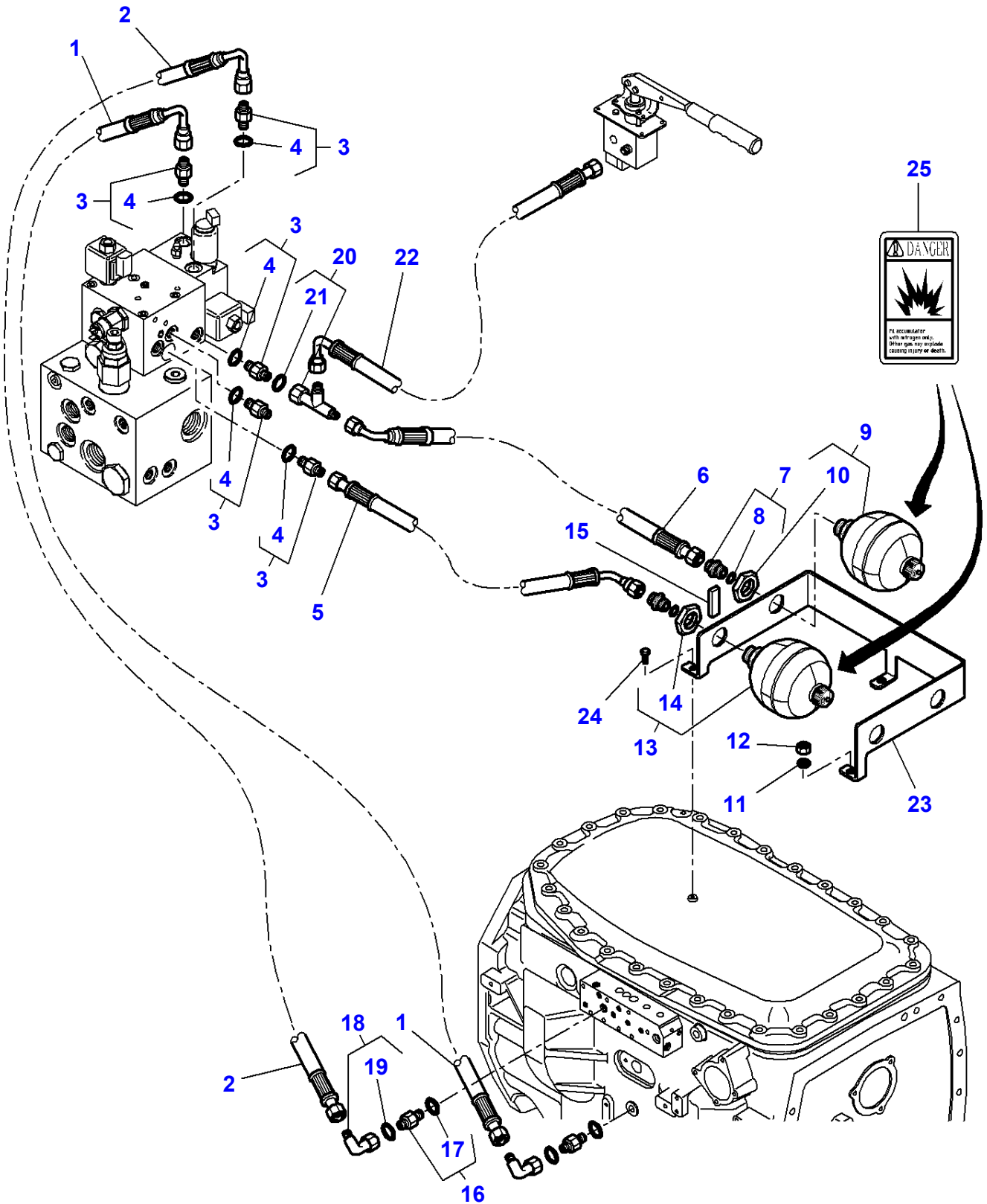
Item	Part Number	Qty	Description	Comments
1	3787911M1	1	Union	M33X2
2	4276132M1	1	Hydr. Hose	800MM
3	391244X1	2	Hex. Sock. Screw	M6X45
4	4273689M1	1	Plate	
5	4273688M1	2	Bridle	
6	338717X91	2	Union	M18X1.5
7	338764X1	1	Seal	(6)
8	4275578M3	1	Tube	
9	3011810X1	2	Bush	(9)
10	1440012X1	1	Seal	14-20X1,5
11	3011107X91	1	Plug	M33X2
12	3011037X1	1	Seal	(11)
13	4274249M1	1	Tube	
14	339124X1	4	Bolt	M8X16
15	3011049X91	1	Union	M16 X 1.5
16	3019396X1	1	O Ring	(15)
17	4276644M1	1	Union	
18	390971X1	3	Flat Washer	
19	339230X1	3	Hex. Sock. Screw	M6X10
20	4275579M3	1	Cowl	
21	339402X1	8	Nut	M10
22	390734X1	8	Flat Washer	
23	3010684X1	8	Stud	M10X212
24	4278269M91	1	Hydraulic Tank	
25	4275577M91	1	Filter	(24)
26	4276648M1	1	Filter Element	(25)
27	3907428M1	1	O Ring	(26)
28	3789379M1	1	Indicator	(25)
29	3907429M91	1	Kit, Joint	(25)
30	4276666M1	1	Hydr. Hose	650MM
31	3011082X91	1	Elbow	
32	3011144X1	1	O Ring	(31)
33	338716X91	1	Union	M12X1.5
34	338761X1	1	O Ring	(33)
35	4276133M1	1	Union	M16X1.5
36	338763X1	1	Seal	(35)
37	3907614M91	1	Nyliner	(24) M26 X 1,5
38	3907615M1	1	Gasket	(37)
39	3011103X91	1	Plug	[A] M18 X 1.5
40	338764X1	1	Seal	(39)
41	3618249M1	1	Inductive Sensor	
42	3011089X91	1	Union	[B] R321049
43	3011136X91	1	Tap	[B] R321049
44	3011147X1	1	O Ring	[B] (43) R321049
45	3011119X1	1	Nut	[B] R321049
46	3011084X91	1	Union	R285063
47	3011146X1	1	O Ring	(46)

FOOTNOTE [A] WITHOUT FRONT LINKAGE

FOOTNOTE [B] VALID ALSO FOR TRACTOR R313045

MF 8470/8480 TRACTOR (TIER 3) - 3906071
1-WP27-006-B

1-WP27-006-B



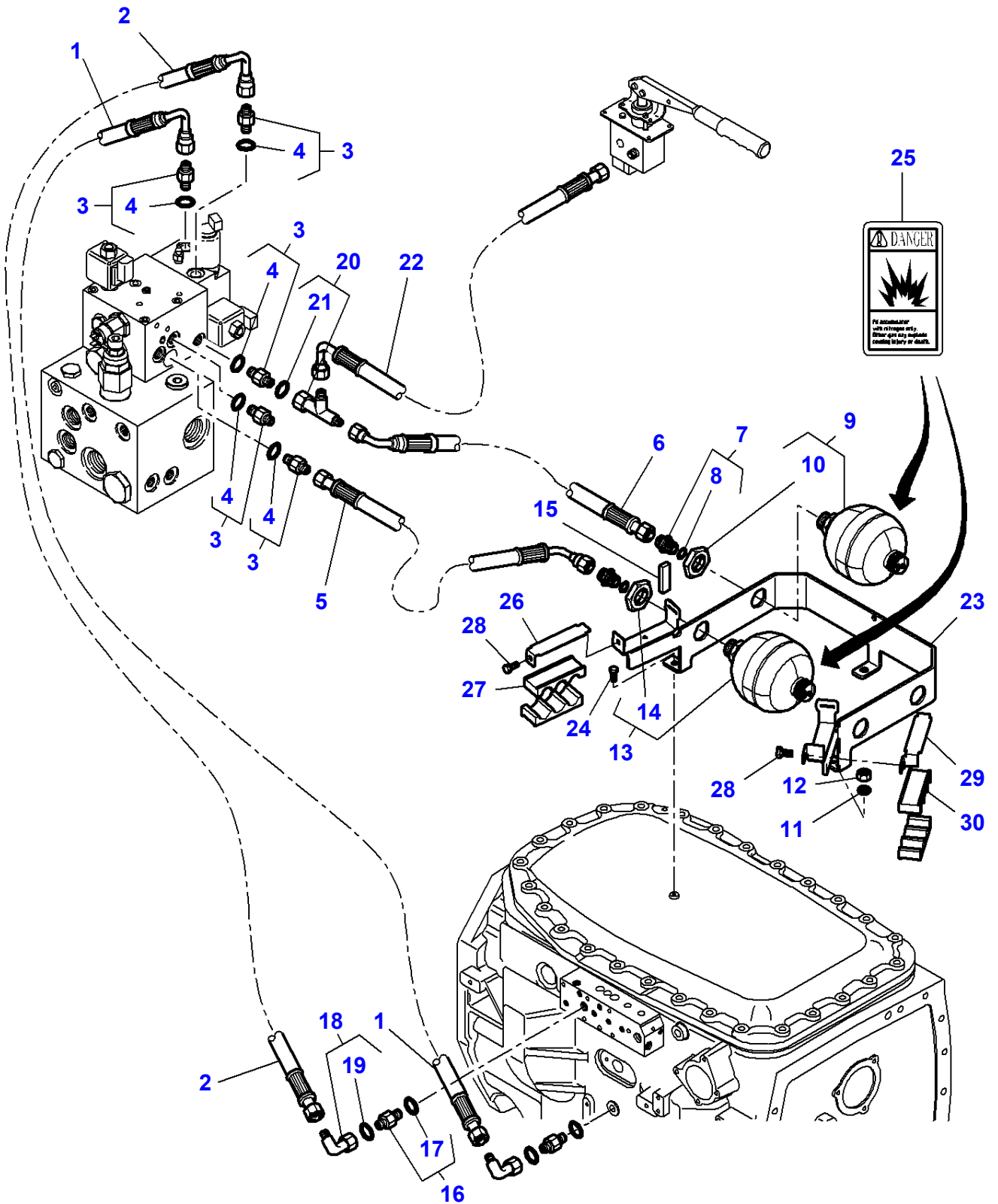
Massey Ferguson**MF 8470/8480 TRACTOR (TIER 3) - 3906071****3906071****Auxiliary Hydraulics - Accumulator - Up To R321048 Except R313045****Page070-0155**

Item	Part Number	Qty	Description	Comments
1	4276148M1	1	Hydr. Hose	[C] 18B 1080MM
2	4276147M1	1	Hydr. Hose	[B] 18B 750MM
3	3011038X91	5	Union	M14X1.5
4	338762X1	1	Seal	(3)
5	4276151M1	1	Hydr. Hose	550MM
6	4276149M1	1	Hydr. Hose	500MM
7	3011550X91	2	Union	1/2
8	3011154X1	1	Gasket	(7)
9	4275558M1	1	Accumulator	[A] 108B
10	3907430M1	1	Nut	(9)
11	390735X1	2	Flat Washer	
12	3019862X1	2	Nut	M12
13	4276645M1	1	Accumulator	[A] 44B
14	3907430M1	1	Nut	(13)
15	3580695M1	1	Gasket	80MM
16	3011547X91	2	Union	M16X1.5
17	338763X1	1	Seal	(16)
18	3011543X91	2	Union	M16X1.5
19	3011144X1	1	O Ring	(18)
20	3011544X91	1	Union	M16X1,5
21	3011144X1	1	O Ring	(20)
22	4276150M1	1	Hydr. Hose	650MM
23	4275571M3	1	Support	
24	339282X1	1	Hex. Sock. Screw	M10X16
25	3777021M3	1	Decal	

FOOTNOTE [A] THE APPROPRIATE SAFETY DECALS MUST BE ORDERED AND FITTED TO THIS PART**FOOTNOTE [B]** FEED SUPPLY**FOOTNOTE [C]** RETURN

MF 8470/8480 TRACTOR (TIER 3) - 3906071
1-WP27-024-A

1-WP27-024-A

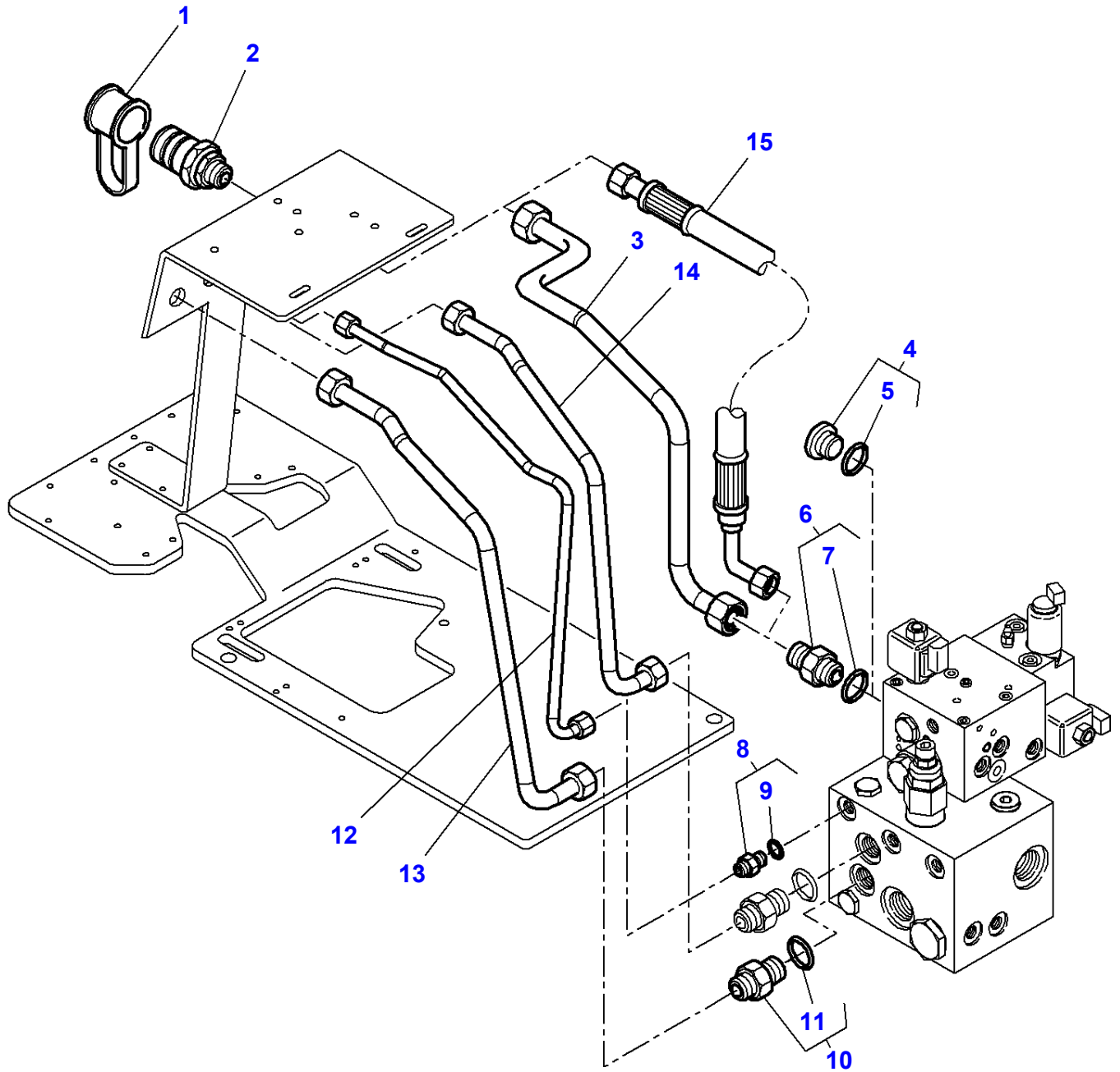


Massey Ferguson**MF 8470/8480 TRACTOR (TIER 3) - 3906071****3906071****Auxiliary Hydraulics - Accumulator - R313045 & From R321049****Page070-0160**

Item	Part Number	Qty	Description	Comments
1	4276148M1	1	Hydr. Hose	[C] 18B 1080MM
2	4276147M1	1	Hydr. Hose	[B] 18B 750MM
3	3011038X91	5	Union	M14X1.5
4	338762X1	1	Seal	(3)
5	4276151M1	1	Hydr. Hose	550MM
6	4276149M1	1	Hydr. Hose	500MM
7	3011550X91	2	Union	1/2
8	3011154X1	1	Gasket	(7)
9	4275558M1	1	Accumulator	[A] 108B
10	3907430M1	1	Nut	(9)
11	390735X1	2	Flat Washer	
12	3019862X1	2	Nut	M12
13	4276645M1	1	Accumulator	[A] 44B
14	3907430M1	1	Nut	(13)
15	3580695M1	1	Gasket	80MM
16	3011547X91	2	Union	M16X1.5
17	338763X1	1	Seal	(16)
18	3011543X91	2	Union	M16X1.5
19	3011144X1	1	O Ring	(18)
20	3011544X91	1	Union	M16X1,5
21	3011144X1	1	O Ring	(20)
22	4276150M1	1	Hydr. Hose	650MM
23	4275571M4	1	Support	
24	339282X1	1	Hex. Sock. Screw	M10X16
25	3777021M3	1	Decal	
26	4286573M1	1	Support	
27	4286572M1	2	Bridle	28-20-20
28	339230X1	2	Hex. Sock. Screw	M6 X 10
29	4286574M1	1	Support	
30	4286571M1	2	Bridle	22-22-20

FOOTNOTE [A] THE APPROPRIATE SAFETY DECALS MUST BE ORDERED AND FITTED TO THIS PART**FOOTNOTE [B]** FEED SUPPLY**FOOTNOTE [C]** RETURN

1-WP27-015-C



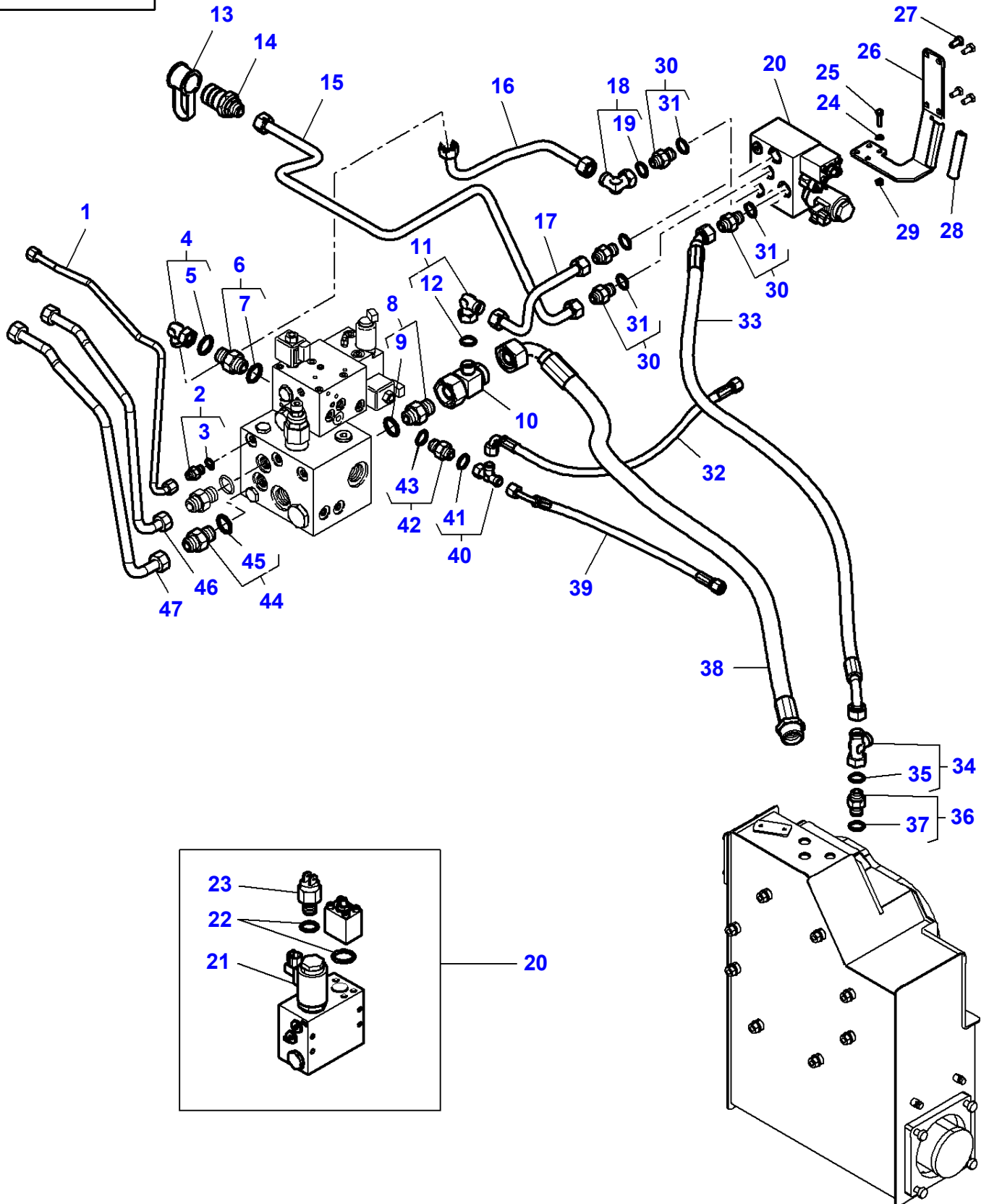
Massey Ferguson**MF 8470/8480 TRACTOR (TIER 3) - 3906071****3906071****Page070-0165****Auxiliary Hydraulics - Trailer Braking**

Item	Part Number	Qty	Description	Comments
1	4277197M1	1	Helmet	[A]
2	3786820M2	1	Female Coupler	[A]
3	4274984M2	1	Tube	[A] S302068 07-DEC-2007
4	3011105X91	1	Plug	[B] M22X1.5
5	3011036X1	1	Seal	(4)
6	3011040X91	1	Union	[A] M22X1.5
7	3011036X1	1	Seal	(6)
8	338795X91	1	Union	M14X1.5
9	338762X1	1	Seal	(8)
10	3011041X91	2	Union	M22X1.5
11	3011036X1	1	Seal	(10)
12	4274983M2	1	Tube	
13	4274982M2	1	Tube	
14	4274981M2	1	Tube	
15	4294736M1	1	Hydr. Hose	[A] S302069 06-DEC-2007 550MM

FOOTNOTE [A] WITH TRAILOR BRAKING
FOOTNOTE [B] WITHOUT TRAILOR BRAKE

MF 8470/8480 TRACTOR (TIER 3) - 3906071
1-WP27-029-A

1-WP27-029-A



Massey Ferguson**MF 8470/8480 TRACTOR (TIER 3) - 3906071**

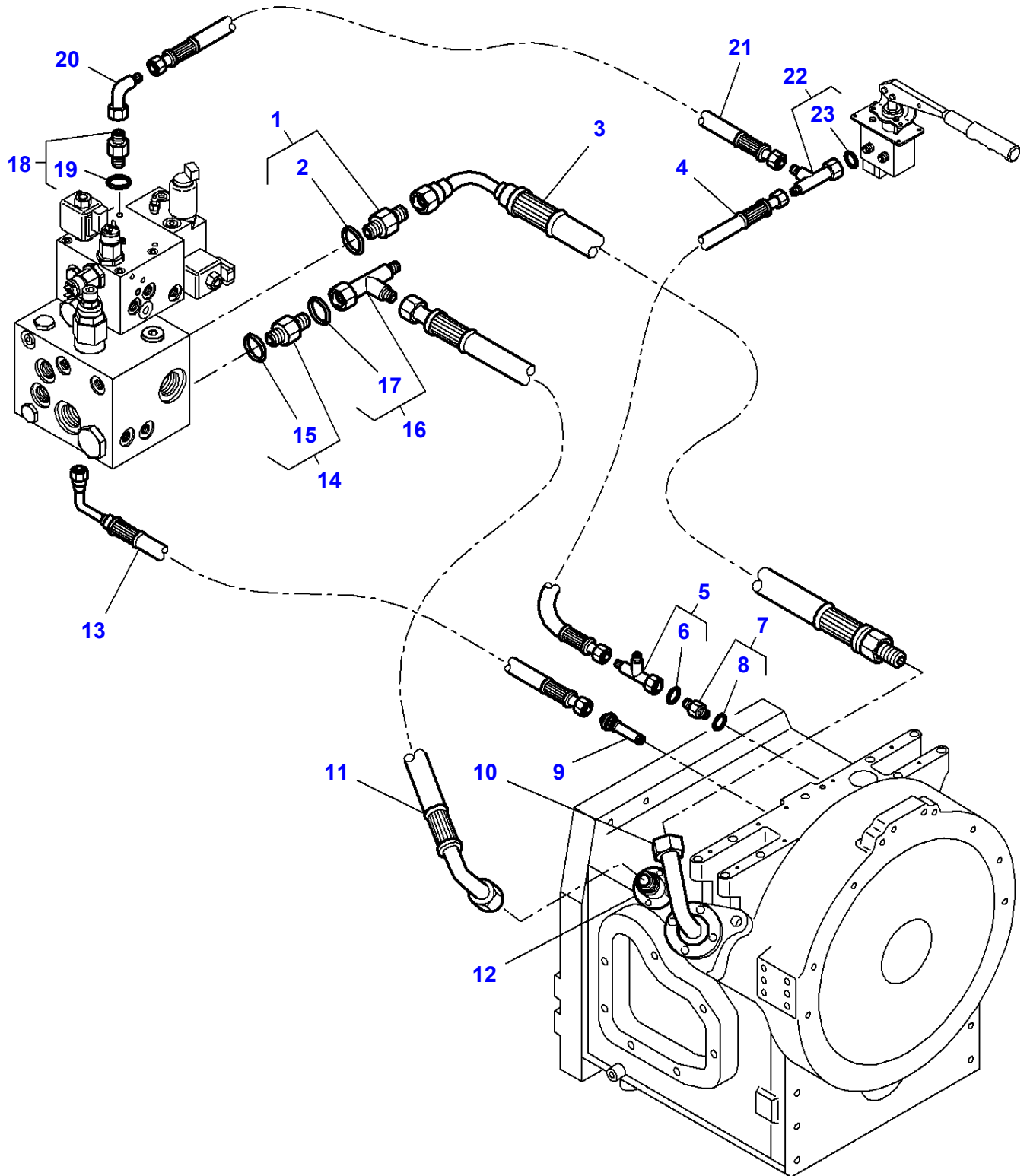
3906071

Auxiliary Hydraulics - For Italy - With Trailer Braking / With Suspended Front Axle

Page070-0170

Item	Part Number	Qty	Description	Comments
1	4274983M2	1	Tube	
2	338795X91	1	Union	
3	338762X1	1	Seal	(2)
4	3011085X91	1	Union	
5	3011147X1	1	O Ring	(4)
6	3011040X91	1	Union	
7	3011036X1	1	Seal	(6)
8	3011043X91	1	Union	
9	3011037X1	1	Seal	(8)
10	4284019M1	1	Union	
11	3011085X91	1	Union	
12	3011147X1	1	O Ring	(11)
13	4277197M1	1	Helmet	
14	3786820M2	1	Female Coupler	
15	4285974M2	1	Tube	
16	4285975M2	1	Tube	
17	4285973M2	1	Tube	
18	3011085X91	1	Union	
19	3011144X1	1	O Ring	(18)
20	4288718M1	1	Brake Valve	
21	3907911M91	1	Electrovalve	(20)
22	3907913M91	1	Kit,Joint/Gasket	(20)
23	3907912M91	1	Plug	(20)
24	390971X1	4	Flat Washer	
25	339804X1	4	Bolt	M6 X 25
26	4285977M2	1	Support	
27	339124X1	4	Bolt	M8 X 16
28	1684844M1	1	Seal	80MM
29	1440085X1	4	Nut Metric	
30	3011040X91	4	Union	
31	3011036X1	1	Seal	(30)
32	4276150M1	1	Hydr. Hose	650MM
33	4285976M2	1	Hydr. Hose	1200MM
34	3011089X91	1	Union	
35	3011147X1	1	O Ring	(34)
36	338717X91	1	Union	
37	338762X1	1	Seal	(36)
38	4274558M1	1	Hydr. Hose	1050MM
39	4276149M1	1	Hydr. Hose	500MM
40	3011544X91	1	Union	
41	3011144X1	1	O Ring	(40)
42	3011038X91	1	Union	
43	338762X1	1	Seal	(42)
44	3011041X91	2	Union	
45	3011036X1	1	Seal	(44)
46	4274981M2	1	Tube	
47	4274982M2	1	Tube	

1-WP27-011-B

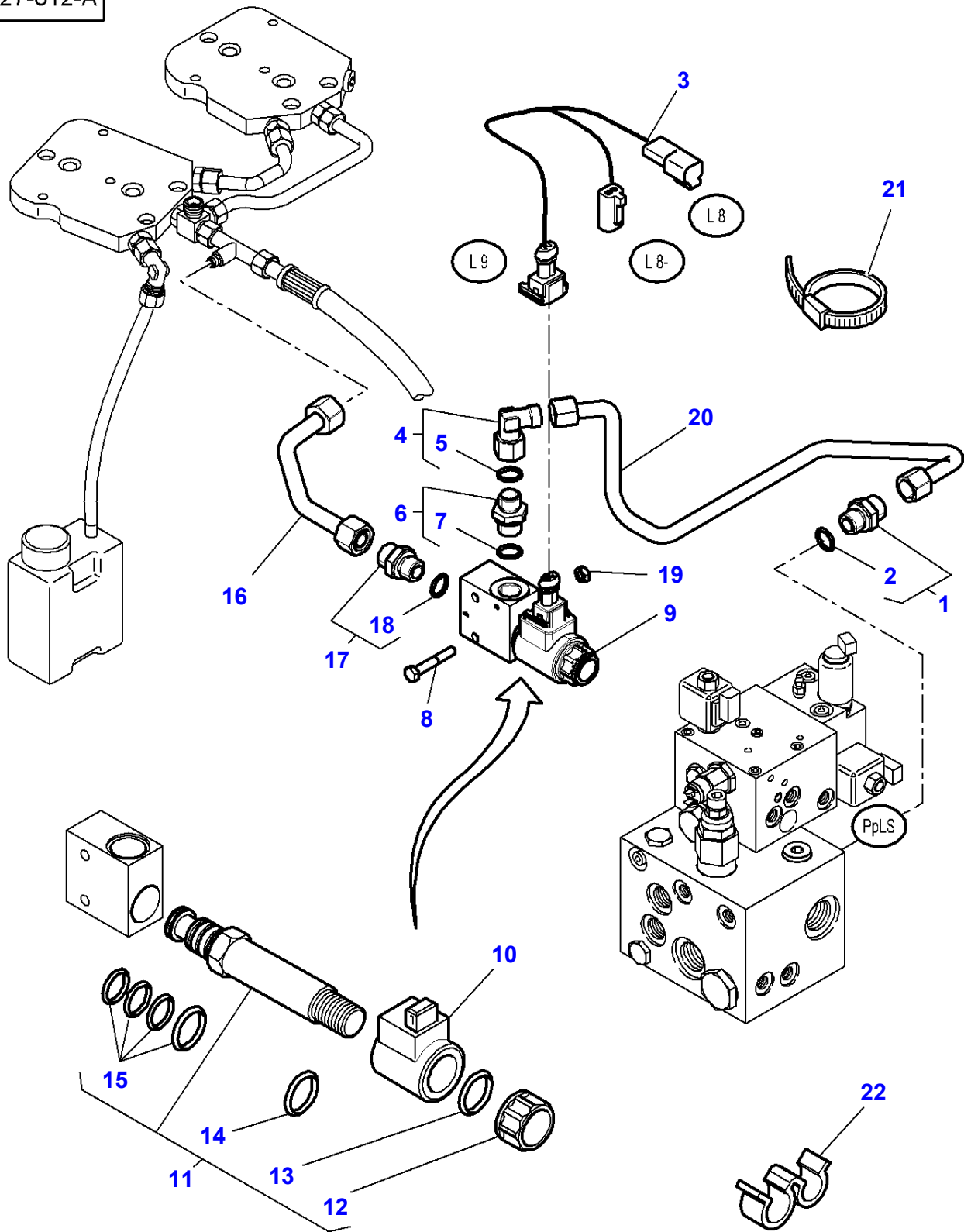


Auxiliary Hydraulics

Item	Part Number	Qty	Description	Comments
1	3011043X91	1	Union	M33X2
2	3011037X1	1	Seal	(1)
3	4274558M1	1	Hydr. Hose	1050MM
4	4276154M1	1	Hydr. Hose	1100MM
5	3011544X91	1	Union	
6	3011144X1	1	O Ring	(5)
7	3011554X91	1	Union	M12X1.5
8	338761X1	1	O Ring	(7)
9		1	Union	070-0200/30
10		1	Tube	070-0200/4
11	4276123M1	1	Hydr. Hose	1000MM
12		1	Union	070-0210/18
13	4276130M1	1	Hydr. Hose	1100MM
14	3011040X91	1	Union	M22X1.5
15	3011036X1	1	Seal	(14)
16	3011089X91	1	Union	M22X1.5
17	3011147X1	1	O Ring	(16)
18	338906X91	1	Union	R285063
19	338760X1	1	O Ring	(18)
20	3011771X91	1	Union	R285063
21	4289857M1	1	Hydr. Hose	R285063 620MM
22	3011544X91	1	Union	R285063
23	3011144X1	1	O Ring	(22)

MF 8470/8480 TRACTOR (TIER 3) - 3906071
1-WP27-012-A

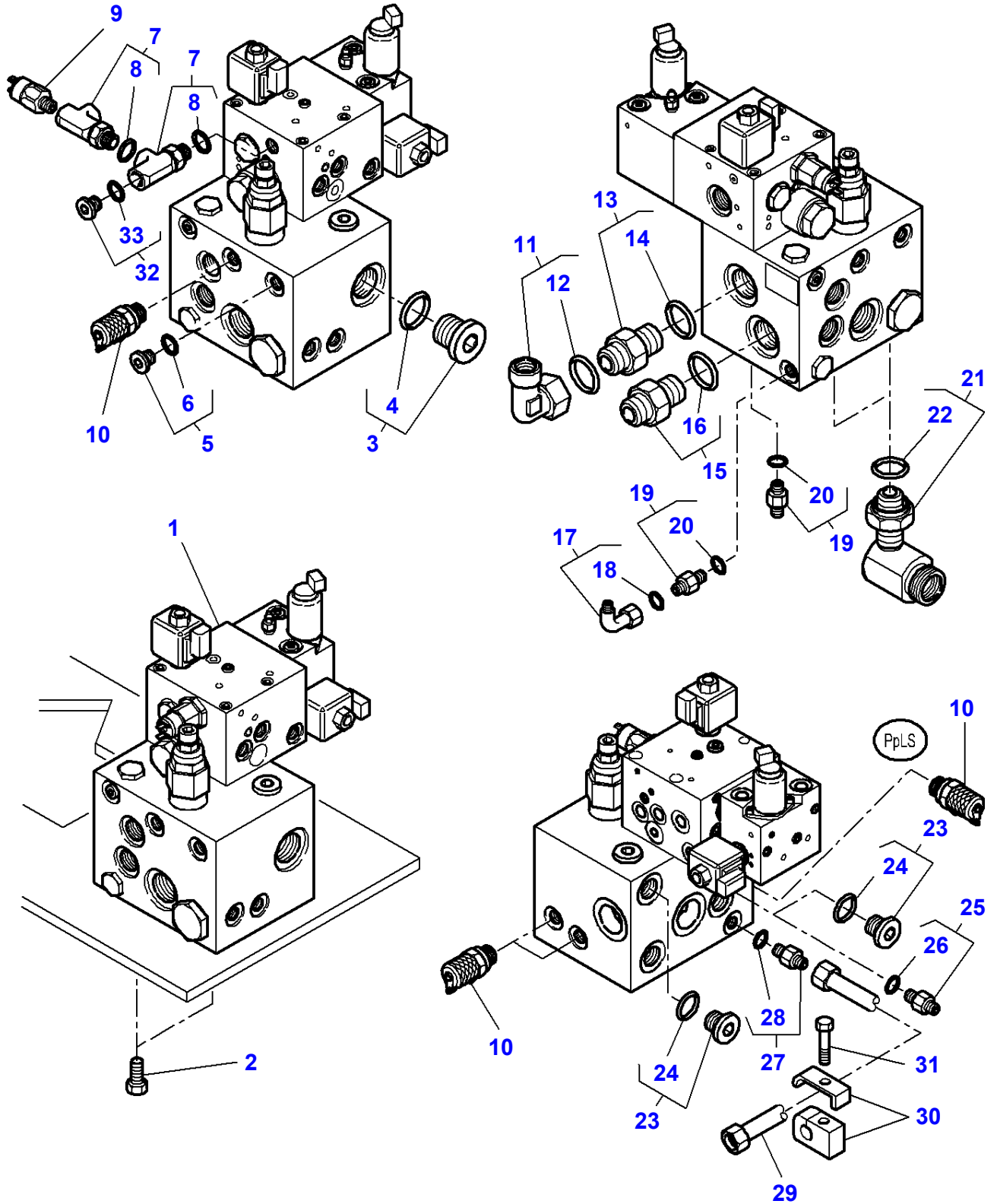
1-WP27-012-A



Massey Ferguson**MF 8470/8480 TRACTOR (TIER 3) - 3906071****3906071****Page070-0180****Auxiliary Hydraulics**

Item	Part Number	Qty	Description	Comments
1	338795X91	1	Union	
2	338762X1	1	Seal	(1)
3	4281518M1	1	Harness	
4	3011083X91	1	Union	
5	3011145X1	1	O Ring	(4)
6	3011296X91	1	Union	
7	338923X1	1	Gasket	(6)
8	339229X1	2	Bolt	M6 X 40
9	4280546M1	1	Electrovalve	
10	3907591M1	1	Coil	(9)
11	3907588M1	1	Pressure Valve	(9)
12	3907590M1	1	Plug	(11)
13	365392X1	1	O Ring	(11)
14	3907589M1	1	O Ring	(11)
15	3907587M91	1	Kit, Joint	(11)
16	4281368M1	1	Tube	
17	3011223X91	1	Union	
18	338923X1	1	Gasket	(17)
19	1442021X1	2	Nut Metric	
20	4281367M1	1	Tube	
21	3619622M1	X	Cable Tie	
22	4281854M1	2	Tie	

1-WP25-005-C

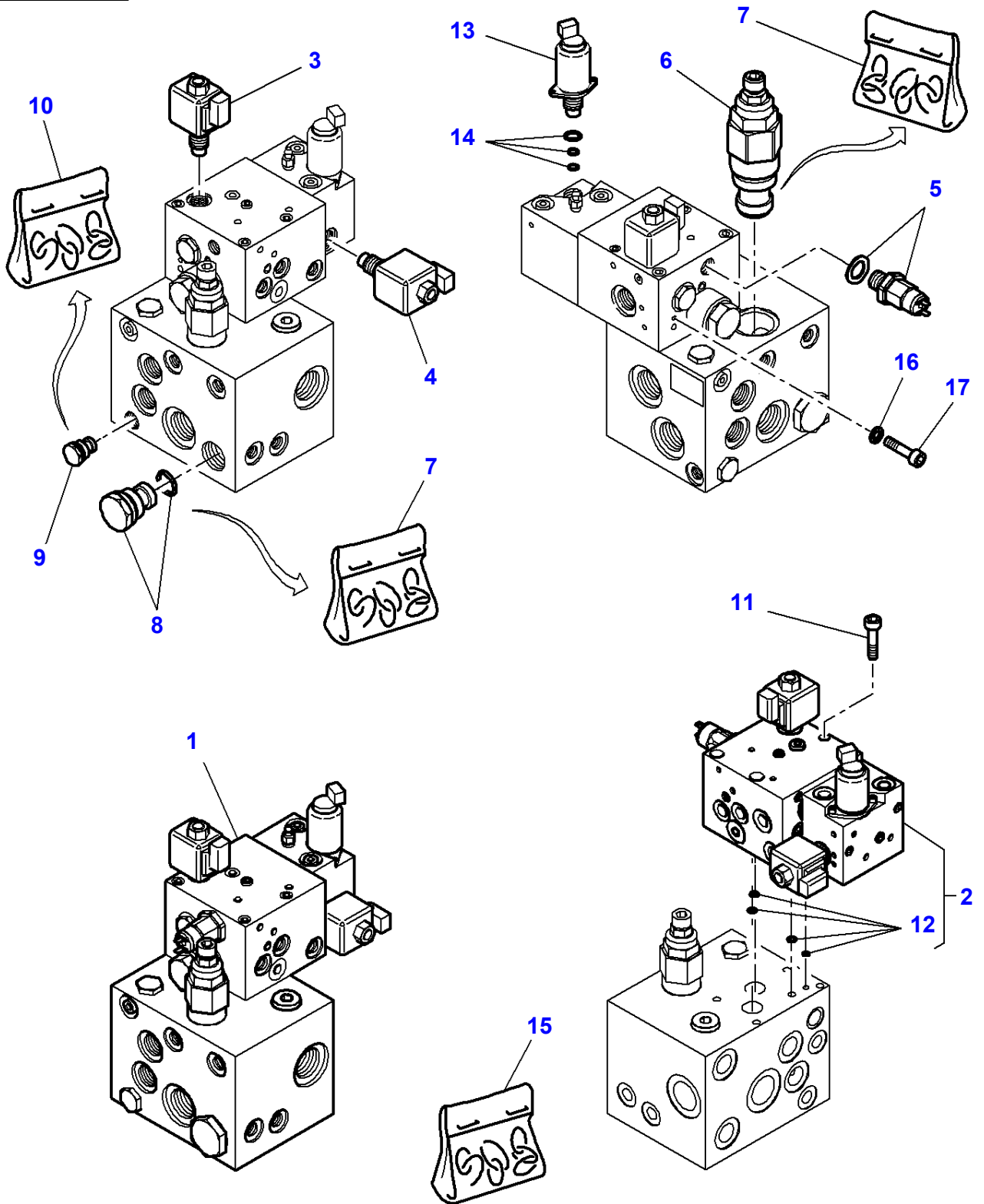


Hydraulique Manifold

Item	Part Number	Qty	Description	Comments
1	4274585M92	1	Pressure Valve	070-0190/1 R285062
	4287297M93	1	Valve Block	070-0195/1 R285063
2	3009505X1	2	Bolt	M12X25
3	3011107X91	1	Plug	M33X2
4	3011037X1	1	Seal	(3)
5	3011099X91	1	Plug	M14X1.5
6	338762X1	1	Seal	(5)
7	4278267M1	2	Union	R285062
8	195562M1	2	O Ring	(7) R285062
9	4278368M1	1	Pressure Switch	105 B R285062
10	3785665M1	3	Pressure Intake	R285062
	3785665M1	4	Pressure Intake	R285063
11	3011088X91	1	Elbow Union	M36X2
12	3011150X1	1	O Ring	(11)
13	3011043X91	1	Union	M33X2
14	3011037X1	1	Seal	(13)
15	3011042X91	1	Union	M33X2
16	3011037X1	1	Seal	(15)
17	3011543X91	1	Union	M16X1.5
18	3011144X1	1	O Ring	(17)
19	3011038X91	2	Union	M14X1.5
20	338762X1	1	Seal	(19)
21	4277200M2	2	Union	M22X1.5
22	1442477X1	1	O Ring	(21)
23	3011105X91	1	Plug	M22X1.5
24	3011036X1	1	Seal	(23)
25	3011039X91	1	Union	[A] M22X1.5
26	3011036X1	1	Seal	(25)
27	338795X91	1	Union	
28	338762X1	1	Seal	(27)
29	4279911M2	1	Tube	[A]
30	3781906M1	1	Bridle	[A]
31	339337X1	1	Bolt	[A]
32	3011772X91	1	Plug	R285062
33	338762X1	1	Seal	(32) R285062

FOOTNOTE [A] WITH FRONT AXLE SUSPENDED

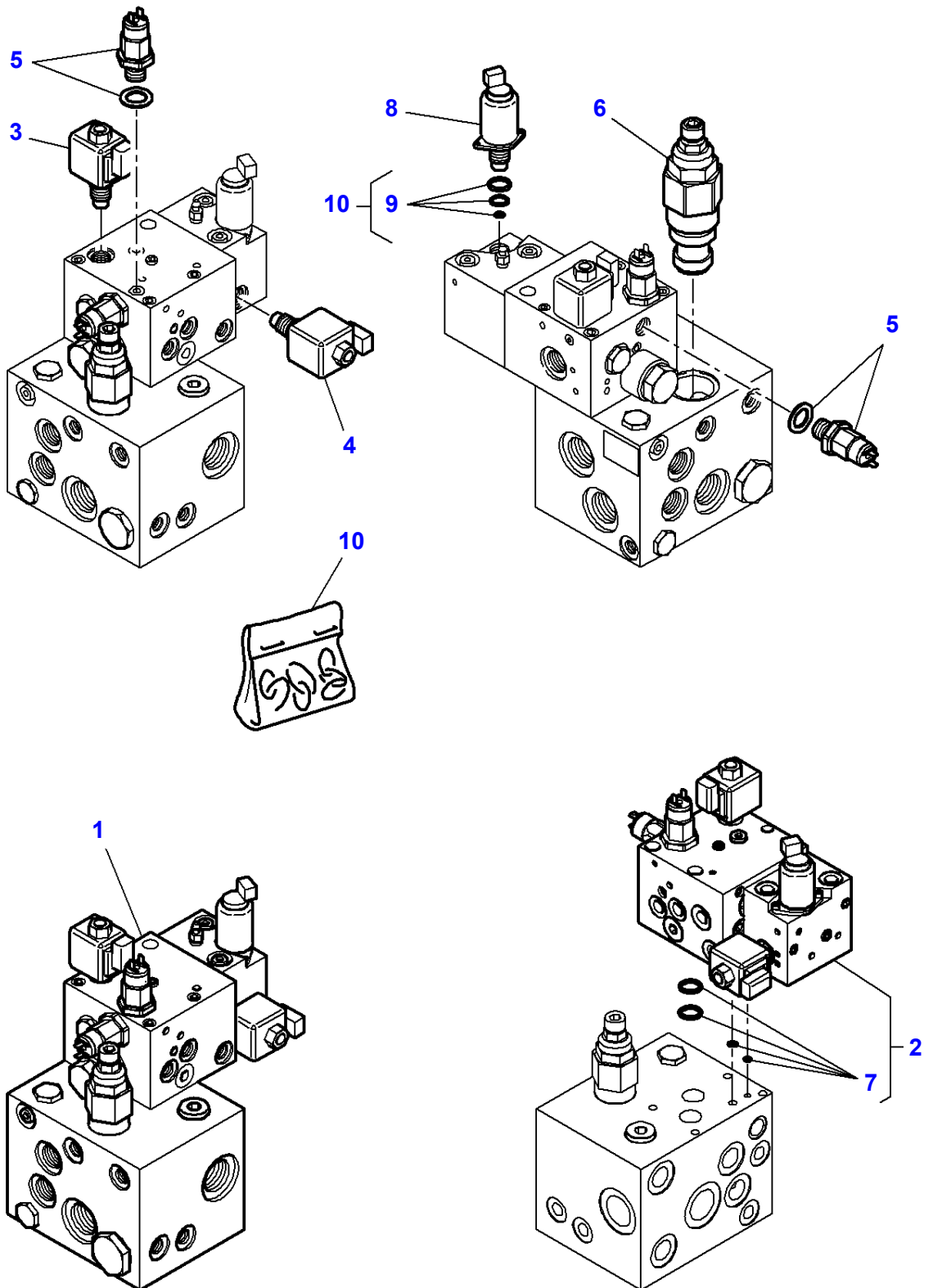
1-WP25-004-D



Massey Ferguson**MF 8470/8480 TRACTOR (TIER 3) - 3906071****3906071****Page070-0190****Hydraulique Manifold**

Item	Part Number	Qty	Description	Comments
1	4274585M92	1	Pressure Valve	
2	3909239M91	1	Brake Valve	(1) 3907659M1
3	3907619M91	1	Electrovalve	(2)
4	3907620M91	1	Electrovalve	(2)
5	4278368M1	1	Pressure Switch	(2)
6	3907337M91	1	Valve	(1) 210 Bar
7	3907487M91	1	Kit,Joint/Gasket	
8	3907336M91	1	Non Return Valve	(1) 10 Bar
9	3907618M91	1	Selector	(1)
10	3907617M91	1	Kit, Joint	
11	1442692X1	X	Bolt	(1) M6 X 25
	3010185X1	X	Screw	(1) M8 X 25
12	3907826M91	1	Kit, Joint	(2)
13	3907621M91	1	Restrictor	(2)
14	3907908M91	1	Kit,Joint/Gasket	(15)
15	3907825M91	1	Kit, Joint	
16	3907703M1	1	Bush	(1)
17	3009280X1	1	Screw	(1) CHC M6 X 12

1-WP25-007-C

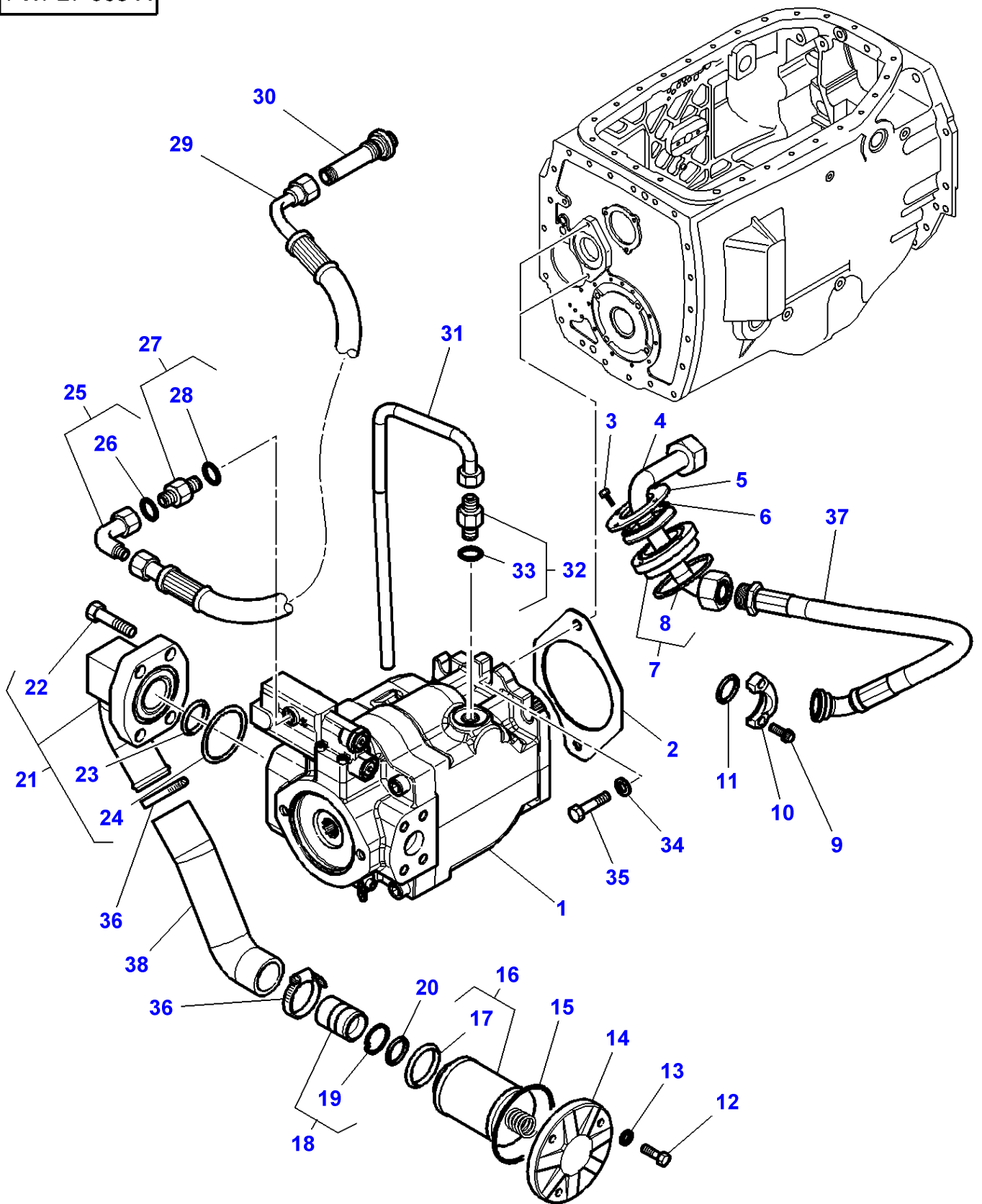


Massey Ferguson**MF 8470/8480 TRACTOR (TIER 3) - 3906071****3906071****Page070-0195****Hydraulique Manifold**

Item	Part Number	Qty	Description	Comments
1	4287297M93	1	Valve Block	
2	3909239M91	1	Brake Valve	(1) 3907910M91
3	3907882M91	1	Electrovalve	(2)
4	3907620M91	1	Electrovalve	(2)
5	4278368M1	2	Pressure Switch	(2)
6	3907337M91	1	Valve	(2) 210 Bar
7	3907826M91	1	Kit, Joint	(2)
8	3907621M91	1	Restrictor	(2)
9	3907908M91	1	Kit,Joint/Gasket	(10)
10	3907825M91	1	Kit, Joint	

MF 8470/8480 TRACTOR (TIER 3) - 3906071
1-WP27-009-A

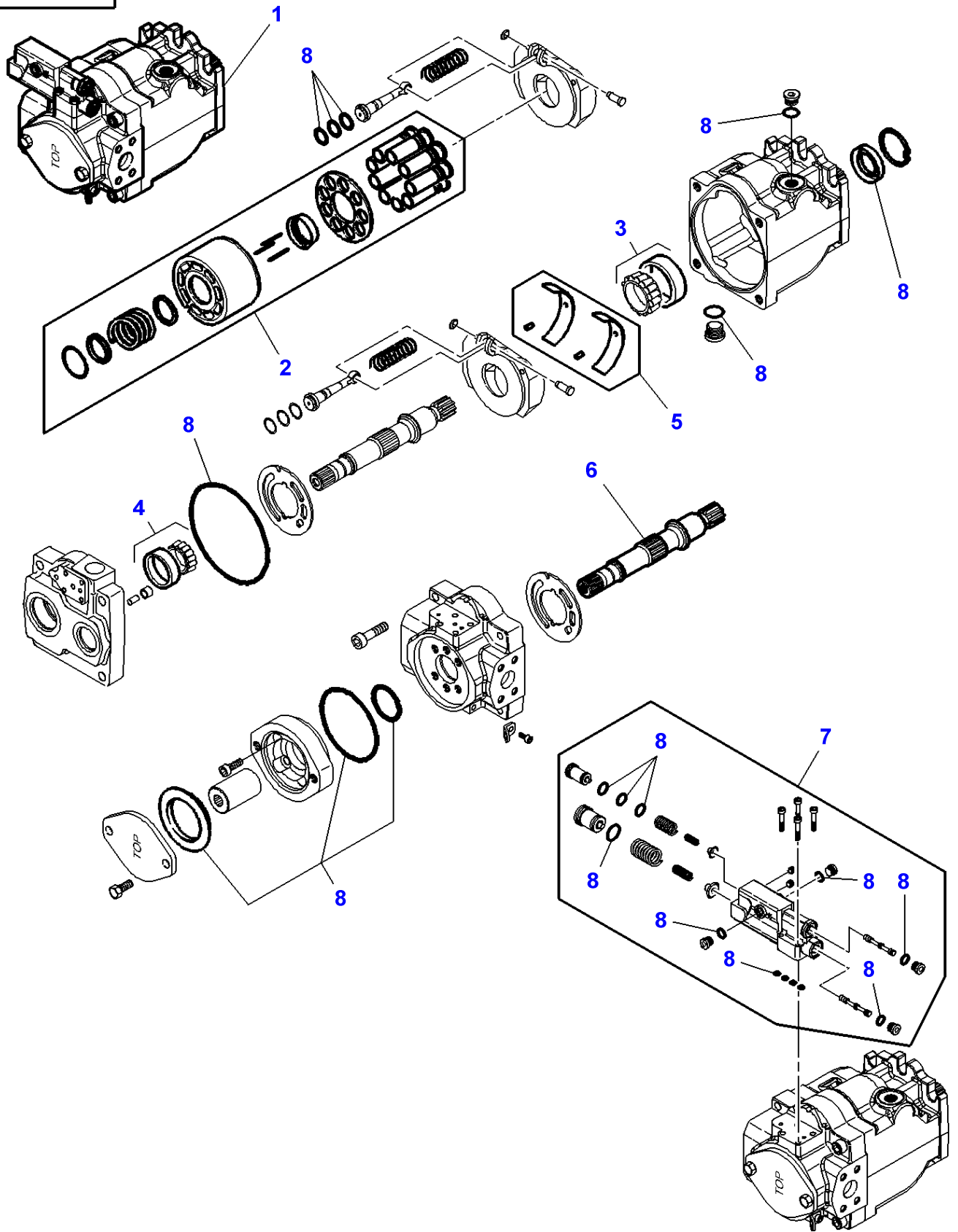
1-WP27-009-A



Auxiliary Hydraulics - Pump Filter Suction

Item	Part Number	Qty	Description	Comments
1	4272110M1	1	Hydraulic Pump	070-0205/1
2	816.940.010.010	1	Sump Gasket	
3	339560X1	4	Bolt	M6X16
4	4274546M91	1	Tube	
5	4275574M1	1	Washer	
6	4274560M1	1	O Ring	69,45X3,53
7	4275572M91	1	Plug	
8	4276652M1	1	Joint.	(7)
9	367788X1	4	Screw	3/8
10	3787910M1	2	Bridle	
11	359305X1	1	O Ring	
12	339010X1	3	Bolt	M8X40
13	339374X1	3	Spring Washer	
14	716.100.490.110	1	Cover	
15	X548.989.200.000	1	O Ring	
16	G916.951.010.010	1	Suction Filter	
17	X548.922.800.000	1	O Ring	(16)
18	G916.951.010.020	1	Intake Stack	
19	X533.212.000.000	1	Snapping	(18)
20	X548.907.866.000	1	O Ring	
21	4274545M1	1	Bridle	
22	358176X1	4	Screw	(21)
23	3907461M1	1	O Ring	(21) 37,69X3,53
24	3907462M1	1	O Ring	(21) 56,74X3,53
25	3011082X91	1	Elbow	
26	3011144X1	1	O Ring	(25)
27	3011314X91	1	Union	
28	70921883	1	O Ring	(27)
29	4276128M1	1	Hydr. Hose	450MM
30	4275576M1	1	Union	M18X1.5
31	4276668M2	1	Tube	
32	3011059X91	1	Union	7/8
33	70921886	1	O Ring	(32)
34	338686X1	2	Flat Washer	
35	3019863X1	2	Hex. Sock. Screw	M12X35
36	338617X1	2	Hose Clip	40-60 R048008
	338617X1	1	Hose Clip	40-60 R048009
	3010154X1	1	Clamp	50-70 R048009
37	4276129M1	1	Hydr. Hose	700MM
38	4275559M2	1	Hose	

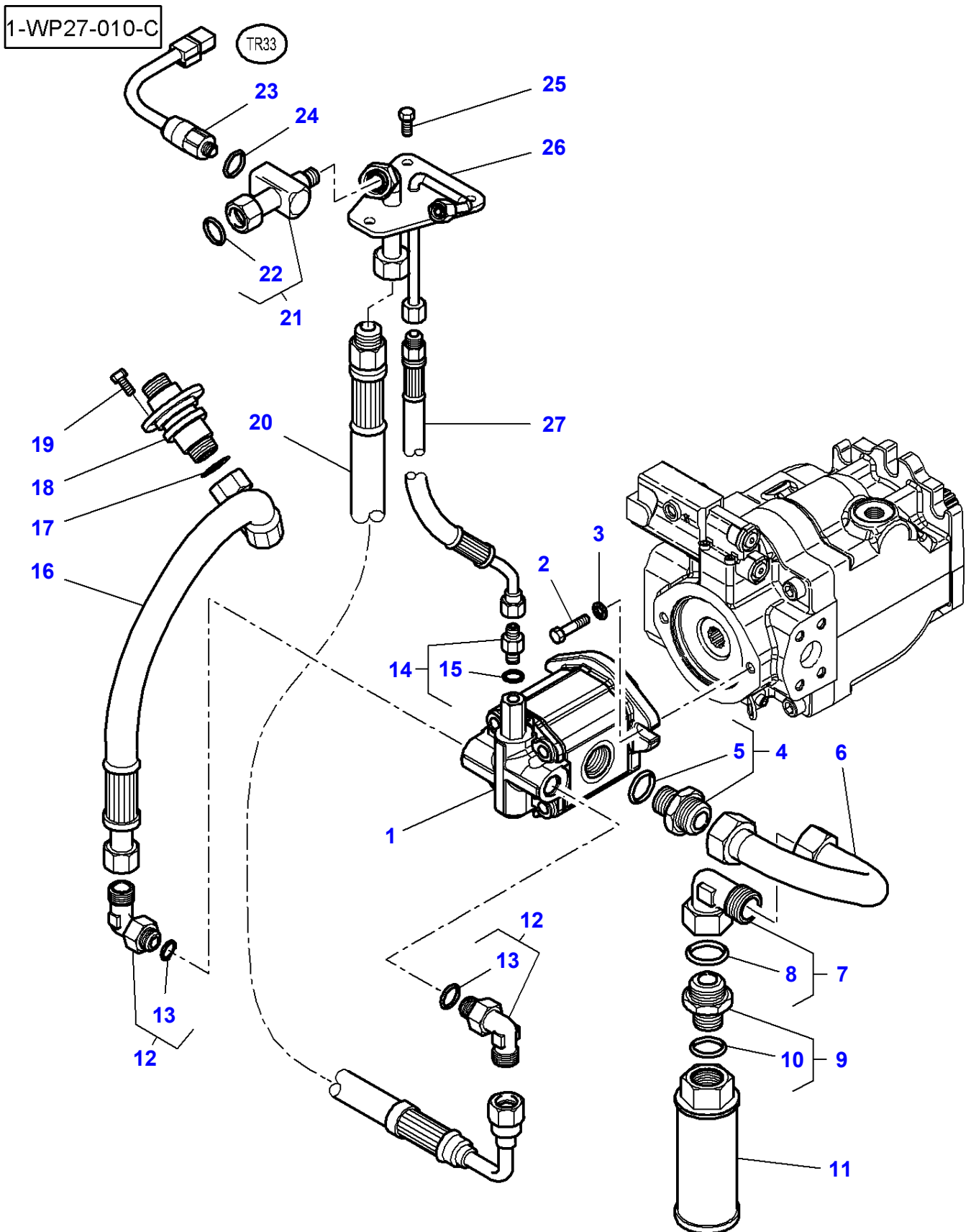
1-WP32-004-A



Massey Ferguson**MF 8470/8480 TRACTOR (TIER 3) - 3906071****3906071****Page070-0205****Hydraulic Pump**

Item	Part Number	Qty	Description	Comments
1	4272110M1	1	Hydraulic Pump	
2	3907469M91	1	Kit, Piston	(1)
3	3907466M91	1	Bearing Assy	(1)
4	3907467M91	1	Bearing Assy	(1)
5	3907468M91	1	Parts Pack	(1)
6	3907465M1	1	Shaft	(1) 14
7	3907464M91	1	Drive	(1)
8	3907463M91	1	Kit, Joint	(1)

MF 8470/8480 TRACTOR (TIER 3) - 3906071
1-WP27-010-C



Auxiliary Hydraulics

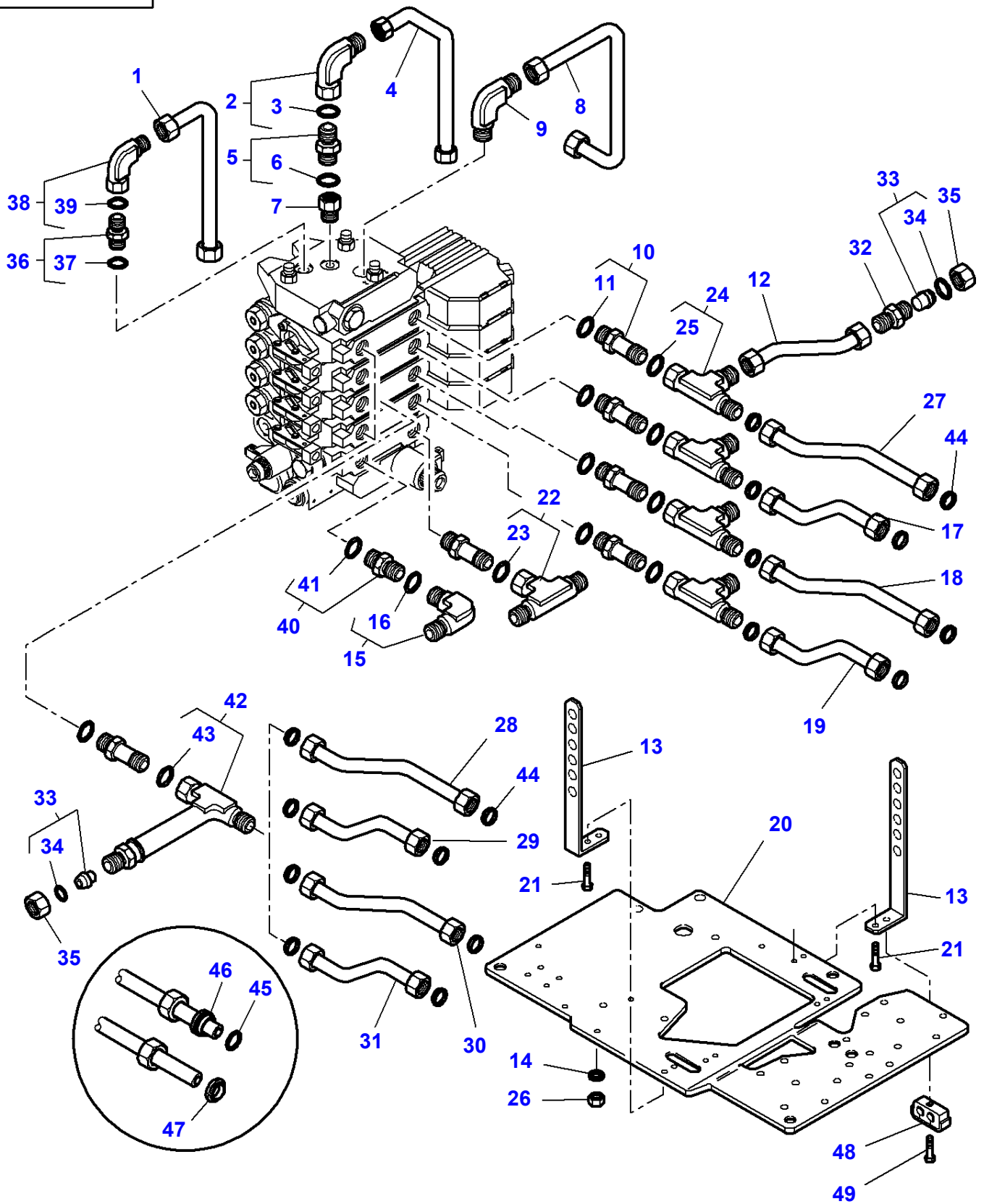
Item	Part Number	Qty	Description	Comments
1	4272111M2	1	Gear Pump	
2	357740X1	2	Screw Unc	3/8
3	385362X1	2	Washer	
4	3011582X91	1	Union	
5	835025M1	4	O Ring	(4)
6	4275570M2	1	Tube	
7	3011087X91	1	Union	
8	3011149X1	1	O Ring	(7)
9	3011044X91	1	Union	
10	3011037X1	1	Seal	(9)
11	3787655M2	1	Strainer	
12	4275573M1	2	Union	
13	3019397X1	1	O Ring	(12)
14	3011618X91	1	Union	M10
15	338760X1	1	O Ring	(14)
16	4276120M1	1	Hydr. Hose	430MM
17	X548.887.266.000	1	O Ring	
18	4275575M1	1	Union	
19	339160X1	4	Hex. Sock. Screw	M5X10
20	4276122M1	1	Hydr. Hose	650MM
21	4277199M1	1	Union	
22	3011147X1	1	O Ring	(21)
23	4285282M1	1	Pressure Switch	[A,B] 4 BARS
24	1440012X1	1	Seal	07-JAN-2007
	3010890X1	1	Bush	08-JAN-2007
25	339124X1	3	Bolt	M8X16
26	4274547M91	1	Tube	
27	4276121M1	1	Hydr. Hose	220MM

FOOTNOTE [A] SENSOR LOW PRESSURE

FOOTNOTE [B] STEERING

MF 8470/8480 TRACTOR (TIER 3) - 3906071
1-WP28-007-D

1-WP28-007-D



Item	Part Number	Qty	Description	Comments
1	4275551M2	1	Tube	[A] 25 MM
2	3011082X91	1	Elbow	
3	3011144X1	1	O Ring	(2)
4	4275555M2	1	Tube	[A] 8 MM
5	3011045X91	1	Union	M12
6	3011061X1	1	O Ring	(5)
7	3793729M1	1	Reducer	
8	4275553M2	1	Tube	[A] 28 MM
9	3787920M1	1	Union	
10	4274990M2	9	Union	M22
11	3019398X1	1	O Ring	(10)
12	4274975M1	4	Tube	[A] 15 MM
13	4274987M2	2	Support	
14	390972X1	3	Flat Washer	
15	3011085X91	1	Union	
16	3011147X1	1	O Ring	(15)
17	4274838M1	1	Tube	[A] R033008 15 MM
	4274838M3	1	Tube	R033009 15 MM
18	4274836M1	1	Tube	[A] R033008 15 MM
	4274836M3	1	Tube	R033009 15 MM
19	4274834M1	1	Tube	[A] R033008 15 MM
	4274834M3	1	Tube	R033009 15 MM
20	4274562M3	1	Support	
21	339230X1	4	Hex. Sock. Screw	M6 X 10 R321048
	339230X1	3	Hex. Sock. Screw	[D] M6 X 10 R321049
22	3011093X91	1	Union	
23	3011147X1	1	O Ring	(22)
24	3011089X91	4	Union	
25	3011147X1	1	O Ring	(24)
26	339169X1	3	Nut	M8
27	4274840M1	1	Tube	[A] R033008 15 MM
	4274840M3	1	Tube	R033009 15 MM
28	4274839M1	1	Tube	[A] R033008 15 MM
	4274839M3	1	Tube	R033009 15 MM
29	4274837M1	1	Tube	[A] R033008 15 MM
	4274837M3	1	Tube	R033009 15 MM
30	4274835M1	1	Tube	[A] R033008 15 MM
	4274835M3	1	Tube	R033009 15 MM
31	4274833M1	1	Tube	[A] R033008 15 MM
	4274833M3	1	Tube	R033009 15 MM
32	338725X1	4	Union	

Item	Part Number	Qty	Description	Comments
33	3011136X91	8	Tap	
34	3011147X1	1	O Ring	(33)
35	3011119X1	8	Nut	
36	3011055X91	1	Union	M33
37	3011062X1	1	O Ring	(36)
38	3011088X91	1	Elbow Union	
39	3011150X1	1	O Ring	(38)
40	3011534X91	1	Union	
41	3019398X1	1	O Ring	(40)
42	4278266M1	4	Union	
43	3011147X1	1	O Ring	(42)
44	3011807X1	16	Bush	
45	3907821M1	1	O Ring	15 MM (type AR3)
45	3907830M1	1	O Ring	25 MM (type AR3)
45	3907820M1	1	O Ring	8 MM (type AR3)
45	3907829M1	1	O Ring	28 MM (type AR3)
46		1	Gasket	[B,C]
47	3011807X1	1	Bush	15 MM (type OE2)
47	3011820X1	1	Bush	25 MM (type OE2)
47	3011804X1	1	Bush	8-12.3 MM (type OE2)
47	3011814X1	1	Bush	8-14.3 MM (type OE2)
47	3011810X1	1	Bush	28 MM (type OE2)
48	3781936M1	1	Bridle	[D] R321049
49	339229X1	1	Bolt	[D] M6 X 40 R321049

FOOTNOTE [A] SEE DIAGRAM FOR THE DETAIL OF THE ENDS OF TUBE

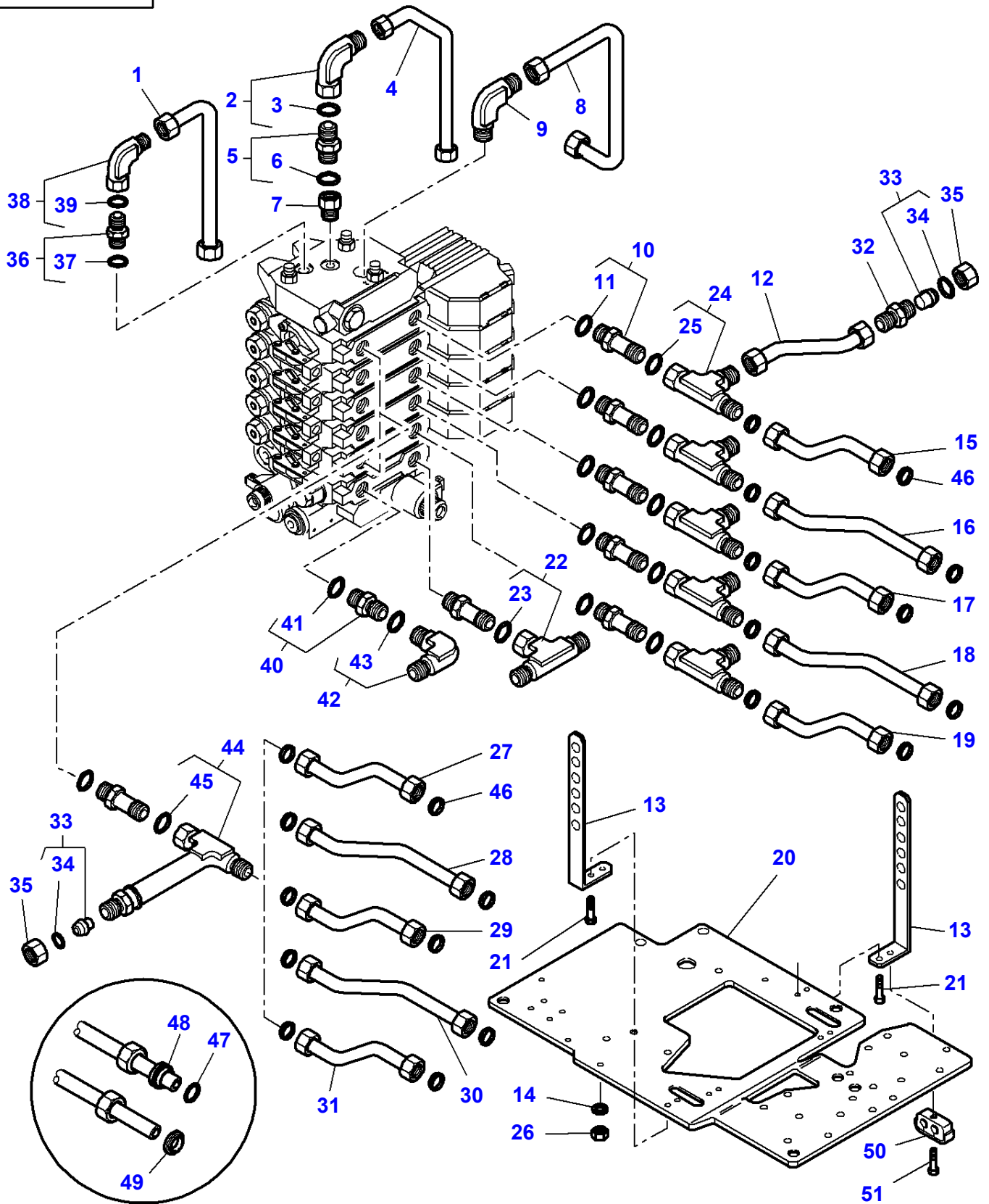
FOOTNOTE [B] SQUARE SECTION

FOOTNOTE [C] NOT SUPPLIED

FOOTNOTE [D] VALID ALSO FOR TRACTOR R313045

MF 8470/8480 TRACTOR (TIER 3) - 3906071
1-WP28-010-D

1-WP28-010-D



Item	Part Number	Qty	Description	Comments
1	4275550M2	1	Tube	[A] 25 MM
2	3011082X91	1	Elbow	
3	3011144X1	1	O Ring	(2)
4	4275554M2	1	Tube	[A] 8 MM
5	3011045X91	1	Union	M12
6	3011061X1	1	O Ring	(5)
7	3793729M1	1	Reducer	
8	4275552M2	1	Tube	[A] 28 MM
9	3787920M1	1	Union	
10	4274990M2	11	Union	M22
11	3019398X1	1	O Ring	(10)
12	4274975M1	5	Tube	[A] 15 MM
13	4274987M2	2	Support	
14	390972X1	3	Flat Washer	
15	4274973M1	1	Tube	[A] R039060 15 MM
	4274973M3	1	Tube	R039061 15 MM
16	4274840M1	1	Tube	[A] R033008 15 MM
	4274840M3	1	Tube	R033009 15 MM
17	4274838M1	1	Tube	[A] R033008 15 MM
	4274838M3	1	Tube	R033009 15 MM
18	4274836M1	1	Tube	[A] R033008 15 MM
	4274836M3	1	Tube	R033009 15 MM
19	4274834M1	1	Tube	[A] R033008 15 MM
	4274834M3	1	Tube	R033009 15 MM
20	4274562M3	1	Support	
21	339230X1	4	Hex. Sock. Screw	M6 X 10 R321048
	339230X1	3	Hex. Sock. Screw	[D] M6 X 10 R321049
22	3011093X91	1	Union	
23	3011147X1	1	O Ring	(22)
24	3011089X91	5	Union	
25	3011147X1	1	O Ring	(24)
26	339169X1	3	Nut	M8
27	4274972M1	1	Tube	[A] R039060 15 MM
	4274972M3	1	Tube	R039061 15 MM
28	4274839M1	1	Tube	[A] R033008 15 MM
	4274839M3	1	Tube	R033009 15 MM
29	4274837M1	1	Tube	[A] R033008 15 MM
	4274837M3	1	Tube	R033009 15 MM
30	4274835M1	1	Tube	[A] R033008 15 MM

Item	Part Number	Qty	Description	Comments
30	4274835M3	1	Tube	R033009 15 MM
31	4274833M1	1	Tube	[A] R033008 15 MM
31	4274833M3	1	Tube	R033009 15 MM
32	338725X1	5	Union	
33	3011136X91	10	Tap	
34	3011147X1	1	O Ring	(33)
35	3011119X1	10	Nut	
36	3011055X91	1	Union	M33
37	3011062X1	1	O Ring	(36)
38	3011088X91	1	Elbow Union	
39	3011150X1	1	O Ring	(38)
40	3011534X91	1	Union	
41	3019398X1	1	O Ring	(40)
42	3011085X91	1	Union	
43	3011147X1	1	O Ring	(42)
44	4278266M1	5	Union	
45	3011147X1	1	O Ring	(44)
46	3011807X1	20	Bush	
47	3907830M1	1	O Ring	25 MM (type AR3)
47	3907820M1	1	O Ring	8 MM (type AR3)
47	3907829M1	1	O Ring	28 MM (type AR3)
47	3907821M1	1	O Ring	15 MM (type AR3)
48		1	Gasket	[B,C]
49	3011820X1	1	Bush	25 MM (type EO2)
49	3011804X1	1	Bush	8-12.3 MM (typeOE2)
49	3011814X1	1	Bush	8-14.3 MM (typeOE2)
49	3011810X1	1	Bush	28 MM (type OE2)
49	3011807X1	1	Bush	15 MM (type OE2)
50	3781936M1	1	Bridle	[D] R321049
51	339229X1	1	Bolt	[D] M6 X 40 R321049

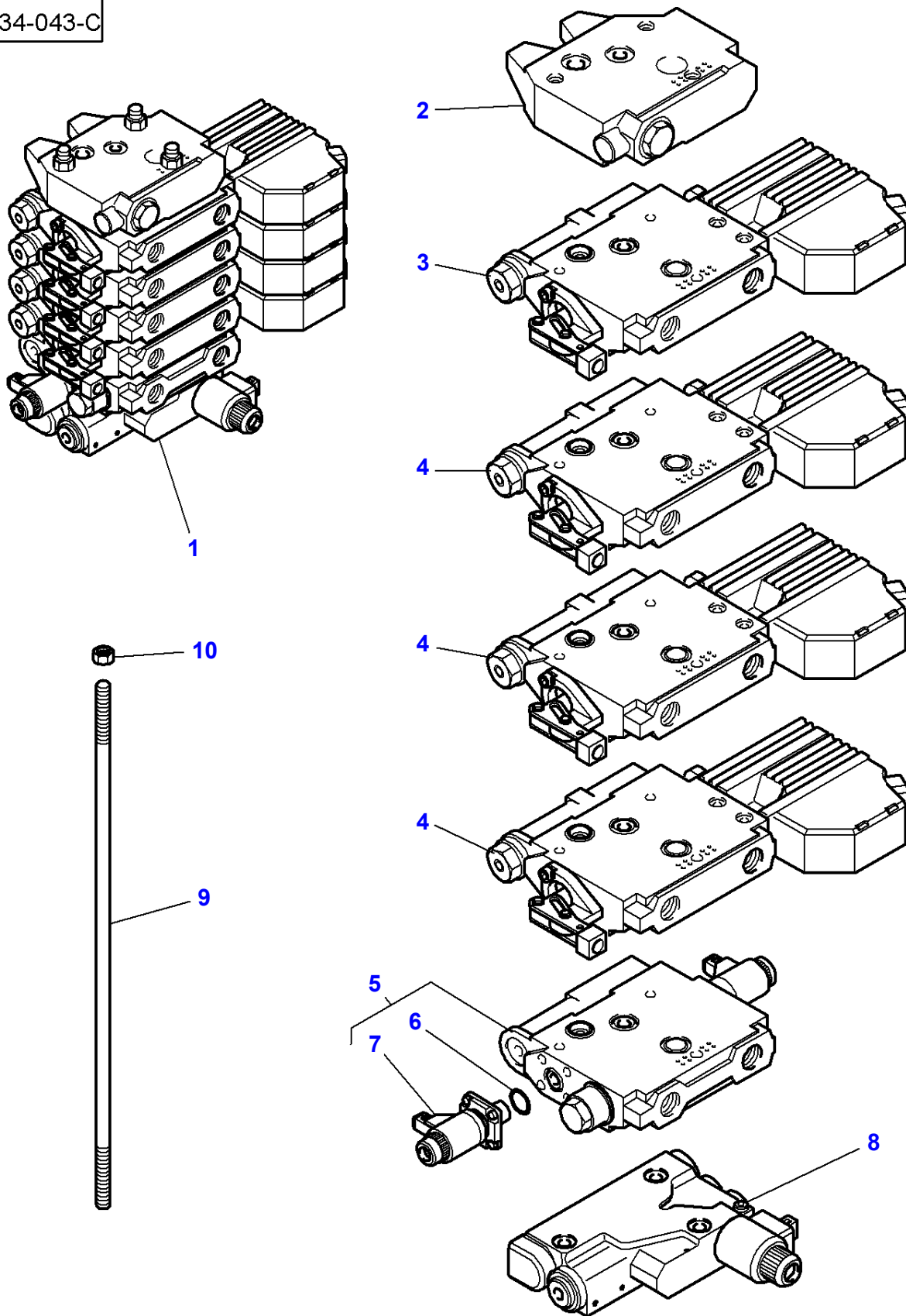
FOOTNOTE [A] SEE DIAGRAM FOR THE DETAIL OF THE ENDS OF TUBE

FOOTNOTE [B] SQUARE SECTION

FOOTNOTE [C] NOT SUPPLIED

FOOTNOTE [D] VALID ALSO FOR TRACTOR R313045

1-WP34-043-C



Item	Part Number	Qty	Description	Comments
1		1	Distributor	[E]
2	3796110M1	1	Element	(1)
3	3796026M8	1	Distributor	[A,B,C] (1)
4	3796027M8	3	Distributor	[A,B] (1)
5	3796179M2	1	Control Valve	[D] (1)
6	F117.961.030.010	1	Kit, Joint	(5)
7	F716.961.030.040	2	Coil	(5)
8	3796028M2	1	Element	(1) 070-0245/1
9	3799724M1	3	Stud	(1) M8 X 306
10	3011736X1	3	Nut	(1) M8

FOOTNOTE [A] DISTRIBUTOR WITH ELECTRIC CONTROL

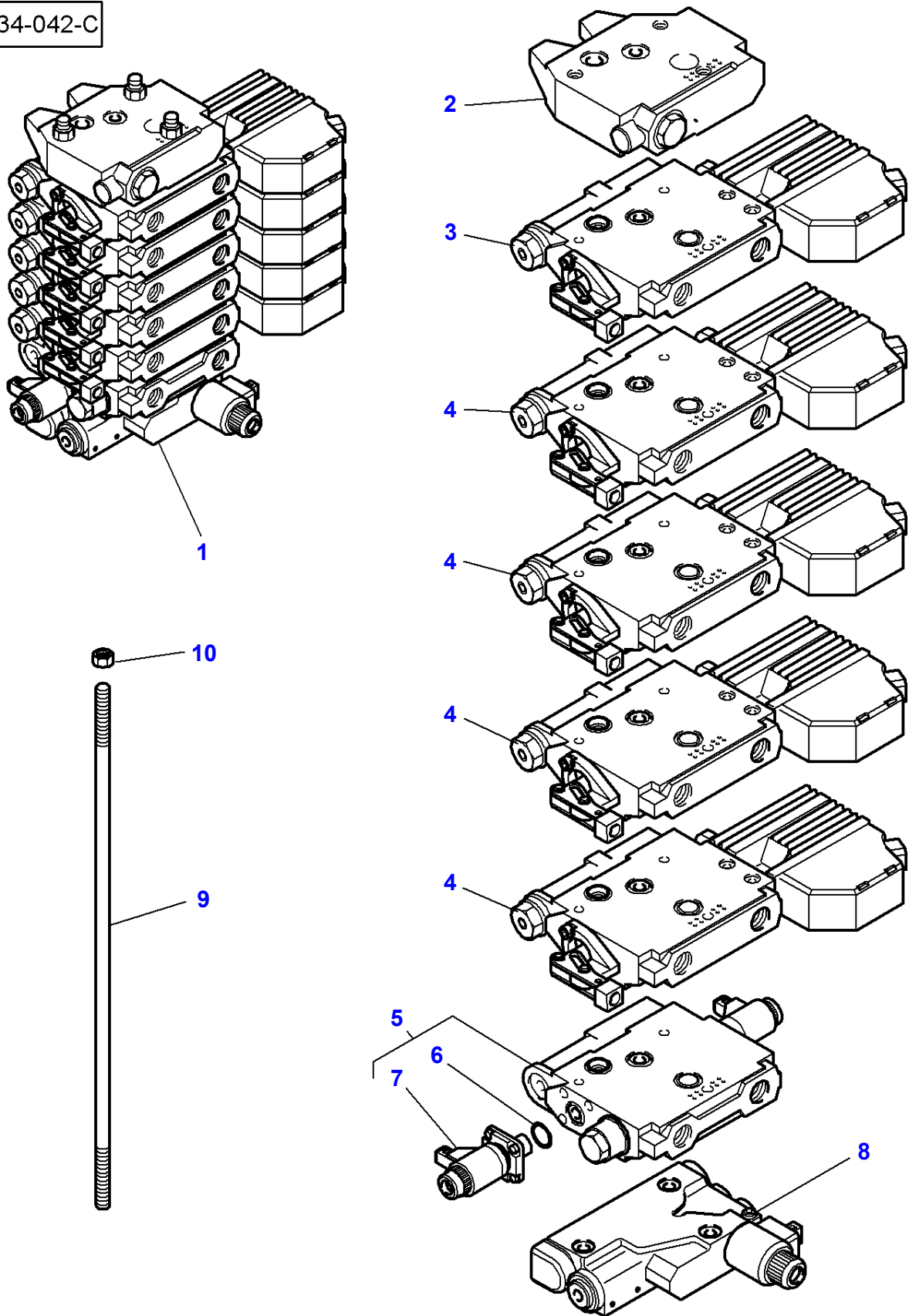
FOOTNOTE [B] DIST 4 POSITIONS, FLOW ADJUST, DOUBLE ACTION, ZERO LEAK

FOOTNOTE [C] WITH TIGHTNESS BALLS

FOOTNOTE [D] HYDRAULIC LIFT VALVE

FOOTNOTE [E] ORDER DETAIL

1-WP34-042-C



Item	Part Number	Qty	Description	Comments
1		1	Distributor	[E]
2	3796110M1	1	Element	(1)
3	3796026M8	1	Distributor	[A,B,C] (1)
4	3796027M8	4	Distributor	[A,B] (1)
5	3796179M2	1	Control Valve	[D] (1)
6	F117.961.030.010	1	Kit, Joint	(5)
7	F716.961.030.040	2	Coil	(5)
8	3796028M2	1	Element	(1) 070-0245/1
9	3799725M1	3	Stud	(1) M8 X 346
10	3011736X1	3	Nut	(1) M8

FOOTNOTE [A] DISTRIBUTOR WITH ELECTRIC CONTROL

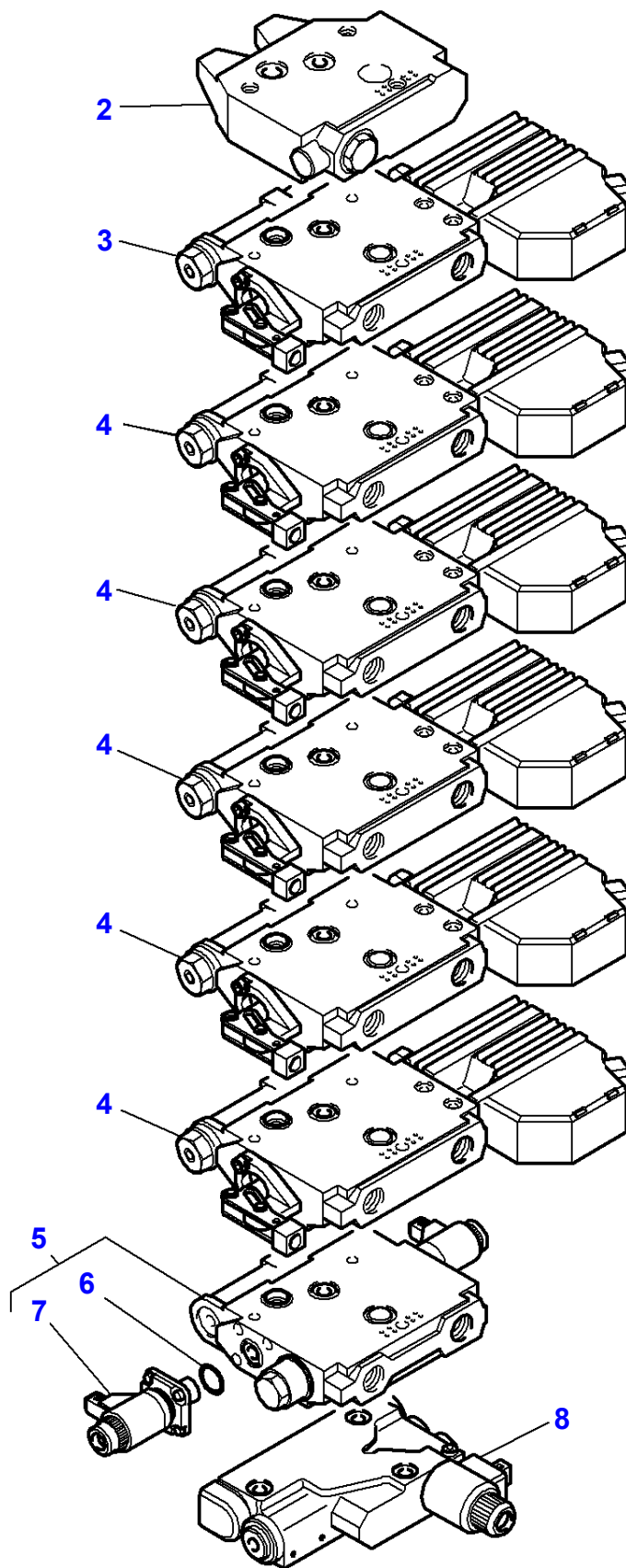
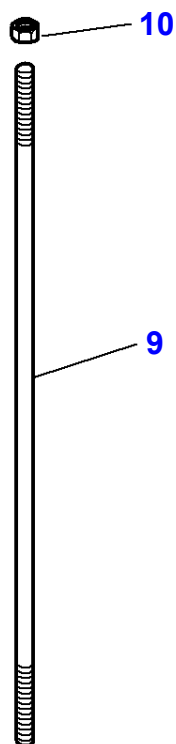
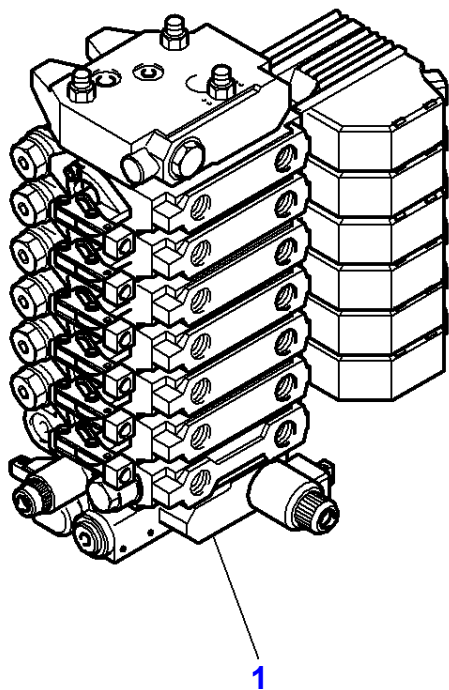
FOOTNOTE [B] DIST 4 POSITIONS, FLOW ADJUST, DOUBLE ACTION, ZERO LEAK

FOOTNOTE [C] WITH TIGHTNESS BALLS

FOOTNOTE [D] HYDRAULIC LIFT VALVE

FOOTNOTE [E] ORDER DETAIL

1-WP34-041-C



Item	Part Number	Qty	Description	Comments
1		1	Distributor	[E]
2	3796110M1	1	Element	(1)
3	3796026M8	1	Distributor	[A,B,C] (1)
4	3796027M8	5	Distributor	[A,B] (1)
5	3796179M2	1	Control Valve	[D] (1)
6	F117.961.030.010	1	Kit, Joint	(5)
7	F716.961.030.040	2	Coil	(5)
8	3796028M2	1	Element	(1) 070-0245/1
9	3799466M1	3	Stud	(1) M8 X 386
10	3011736X1	3	Nut	(1) M8

FOOTNOTE [A] DISTRIBUTOR WITH ELECTRIC CONTROL

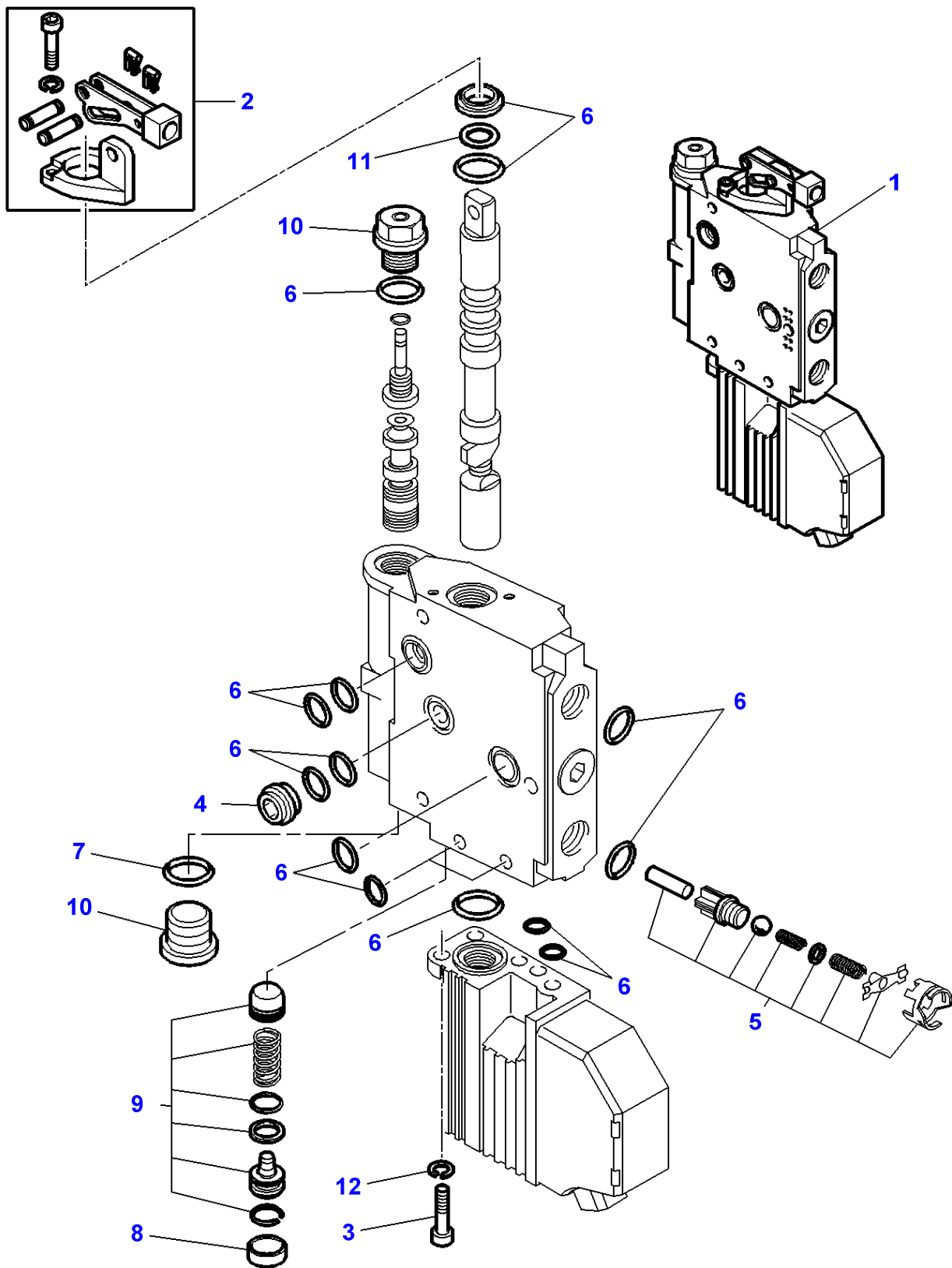
FOOTNOTE [B] DIST 4 POSITIONS, FLOW ADJUST, DOUBLE ACTION, ZERO LEAK

FOOTNOTE [C] WITH TIGHTNESS BALLS

FOOTNOTE [D] HYDRAULIC LIFT VALVE

FOOTNOTE [E] ORDER DETAIL

1-WP34-027-A



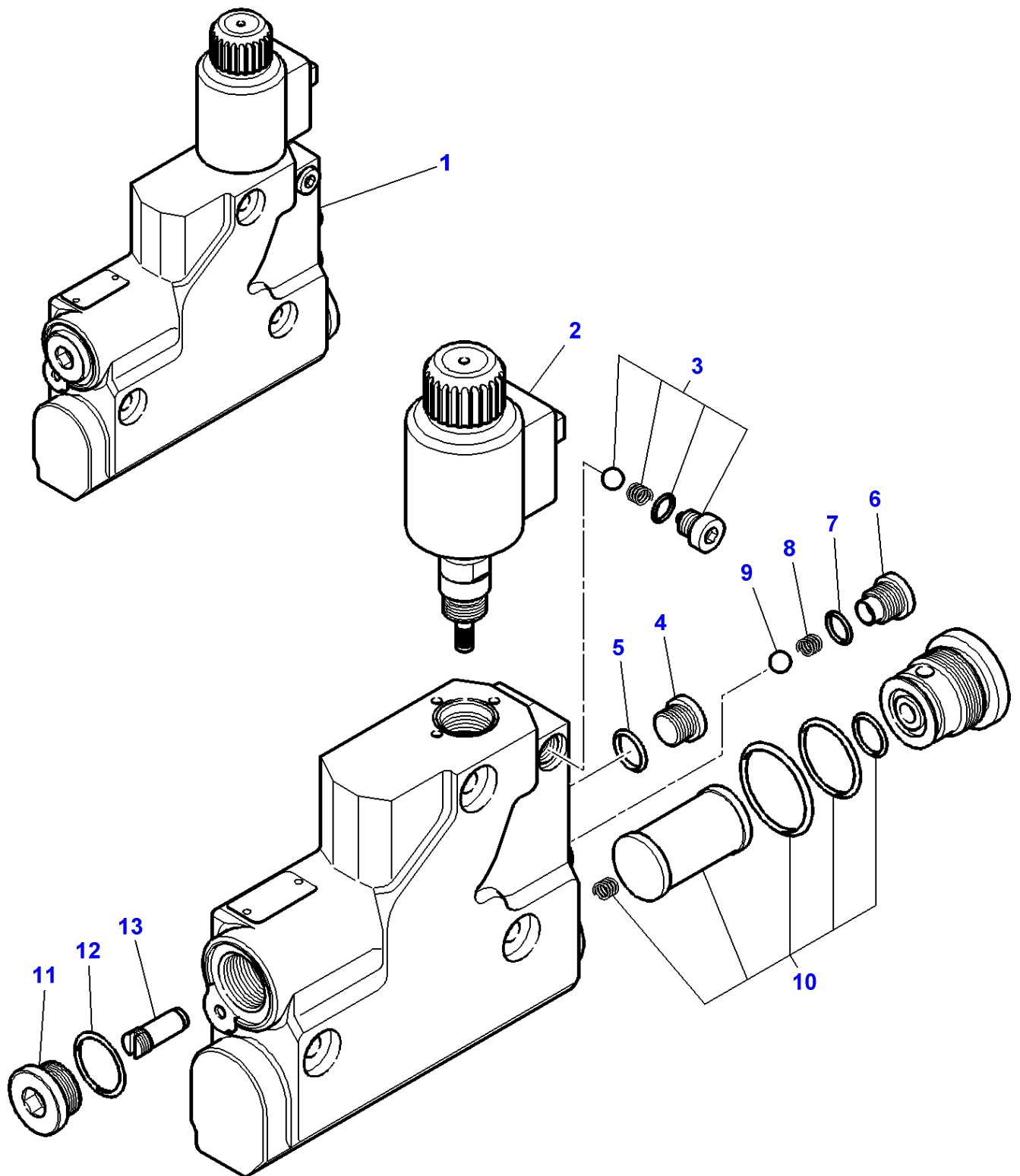
Auxiliary Distributor

Item	Part Number	Qty	Description	Comments
1	3796026M8	1	Distributor	[A,B]
	3796027M8	1	Distributor	[A]
2	3797284M1	1	Drive	(1)
3	3009281X1	3	Screw	(1)
				M6 X 16
4	G816.960.020.110	1	Reversing Valve	(1)
				3108248M1
5	3903864M91	1	Parts Pack	(1)
6	F716.961.020.020	1	Kit, Joint	(1)
				3903869M92
7	3108243M1	1	Washer	(1)
8	3903856M1	1	Plug	(1)
9	F916.961.022.160	1	Parts Pack	(1)
10	F916.961.020.070	2	Screw	(1)
				3108244M1
11	3904668M1	1	Washer	(1)
12	391130X1	3	Spring Washer	(1)

FOOTNOTE [A] DIST 4 POSITIONS, FLOW ADJUST, DOUBLE ACTION, ZERO LEAK

FOOTNOTE [B] WITH TIGHTNESS BALLS

1-WP34-033-A

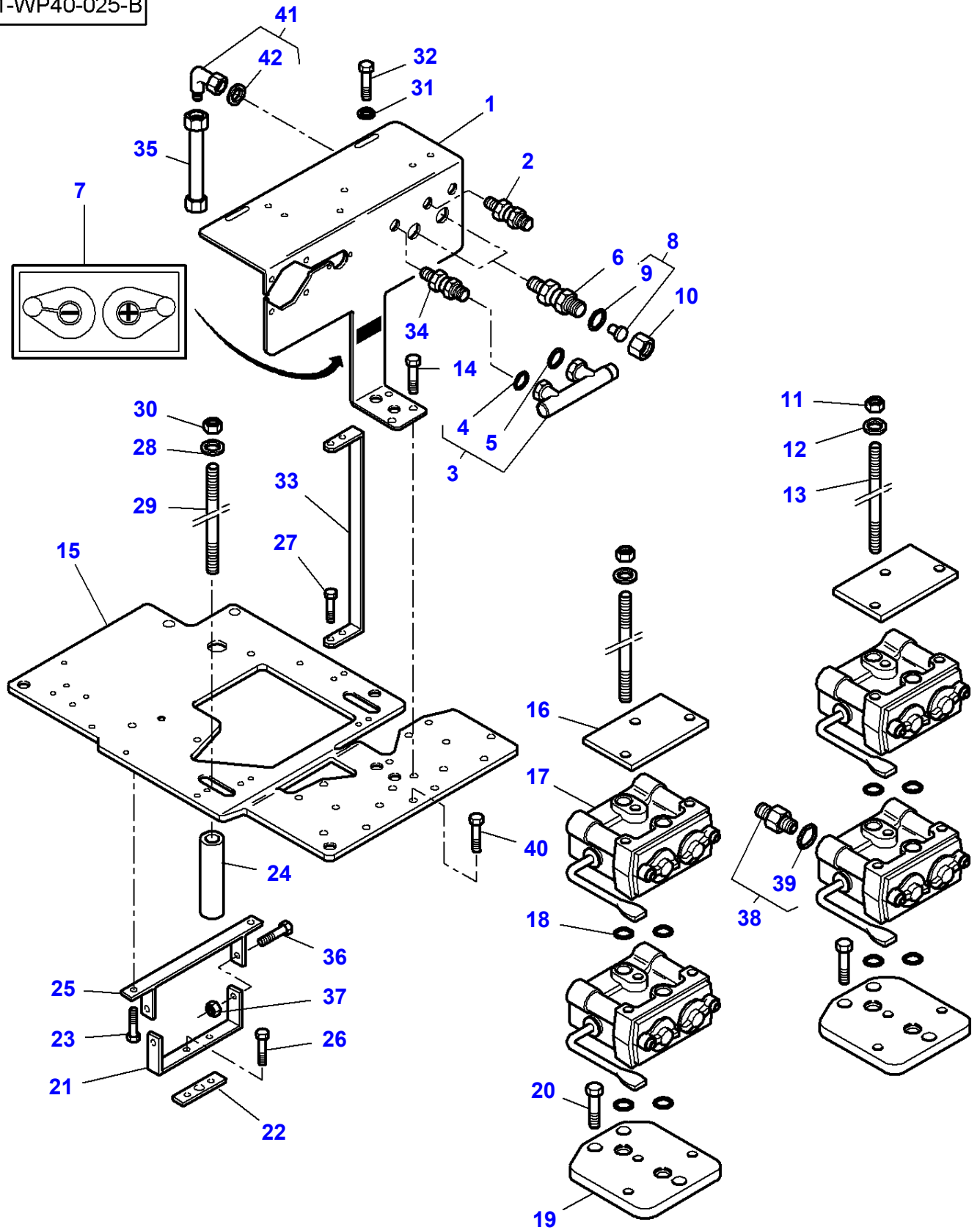


Auxiliary Distributor

Item	Part Number	Qty	Description	Comments
1	3796028M2	1	Element	
2	3903960M1	1	Electrovalve	(1)
3	F916.961.020.060	1	Kit	(1)
4	3903216M1	1	Plug	(1)
5	F916.961.020.190	1	O Ring	(1)
6	F916.961.020.200	1	Screw	(1)
7	F916.961.020.190	1	O Ring	(1)
8	F916.961.020.120	1	Comp.Spring	(1)
				3907344M1
9		1	Ball	(1)
				8 mm
				REF. 3
10	F716.961.020.010	1	Filter	(1)
				3907340M91
11	F916.961.020.070	1	Screw	(1)
				3108244M1
12	F916.961.020.160	1	O Ring	(1)
13	F716.961.020.220	1	Filter	(1)

MF 8470/8480 TRACTOR (TIER 3) - 3906071
1-WP40-025-B

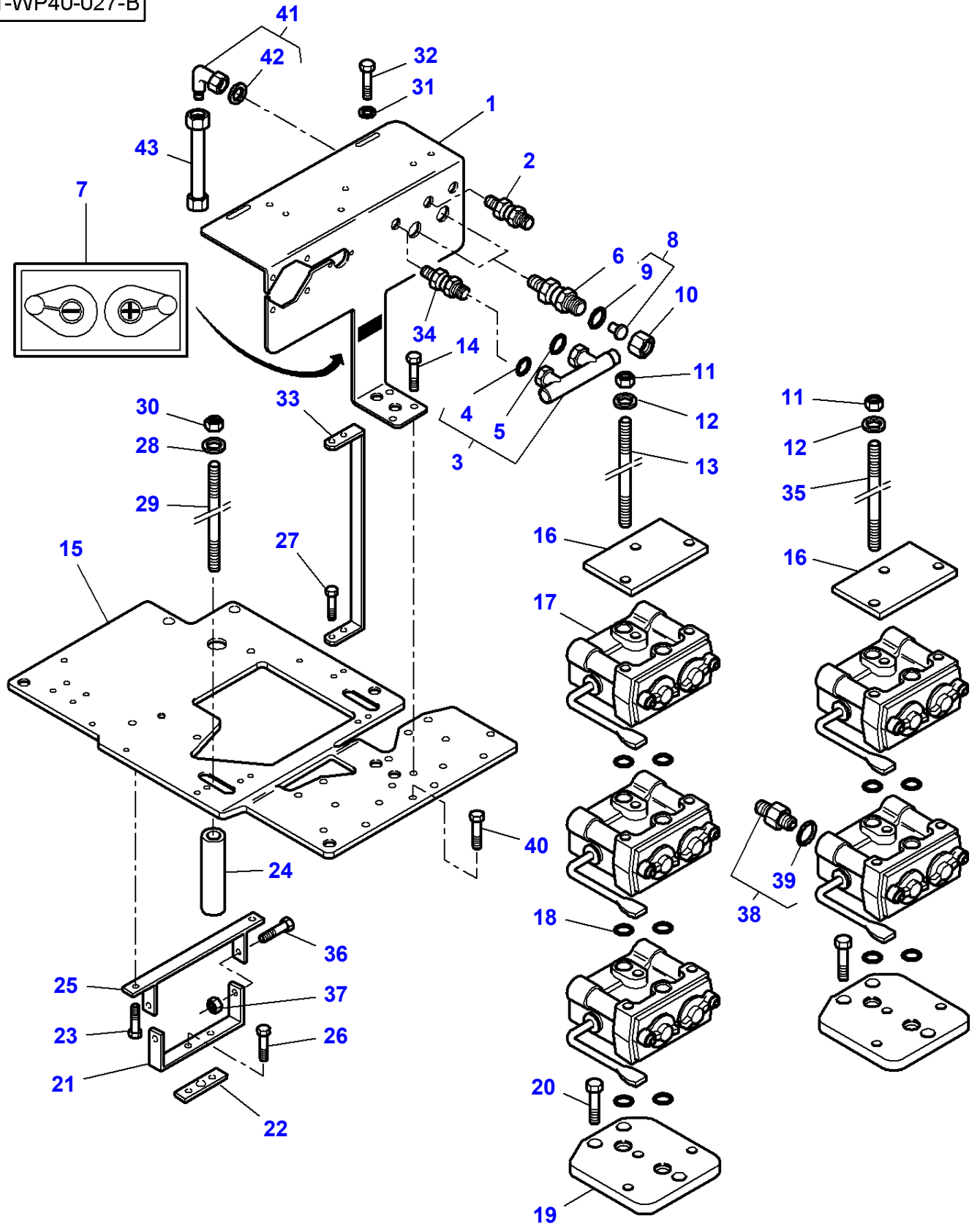
1-WP40-025-B



Item	Part Number	Qty	Description	Comments
1	4277183M1	1	Support	
2	3001317X1	1	Union	
3	4281990M1	1	Union	
4	3011146X1	1	O Ring	(3)
5	3011145X1	1	O Ring	(3)
6	3011404X91	2	Union	
7	4282163M1	1	Decal	
8	3011138X91	2	Tap	
9	3011148X1	1	O Ring	(8)
10	3011120X1	2	Nut	
11	3005908X1	6	Cap Nut	
12	390972X1	6	Flat Washer	
13	4275557M1	6	Stem	M8 X 175MM
14	339228X1	2	Hex. Sock. Screw	M8 X 12
15	4274562M3	1	Support	
16	3792734M1	2	Plate	
17	3796260M2	4	Female Coupler	070-0260/1
18	3007432X1	12	O Ring	
19	4274829M2	2	Support	
20	3009285X1	6	Screw	M8 X 16
21	4278264M1	1	Support	
22	822100070411	1	Gasket	
23	3009491X1	2	Bolt	M10 X 20
24	4274977M1	2	Spacer	
25	4278265M1	1	Support	
26	339124X1	2	Bolt	M8 X 16
27	391074X1	4	Bolt	M6 X 12
28	390974X1	2	Flat Washer	
29	4276649M1	2	Stem	
30	3011390X1	2	Nut	
31	390971X1	4	Flat Washer	
32	339230X1	4	Hex. Sock. Screw	M6 X 10
33	4275580M1	2	Support	
34	1442332X91	1	Union	
35	4277192M2	1	Tube	
36	3009494X1	2	Bolt	M10 X 35
37	1441932X1	2	Nut Metric	M10
38	3011534X91	8	Union	M22
39	3019398X1	1	O Ring	(38)
40	391990X1	2	Screw	M8 X 25
41	3011084X91	1	Union	
42	3011146X1	1	O Ring	(41)

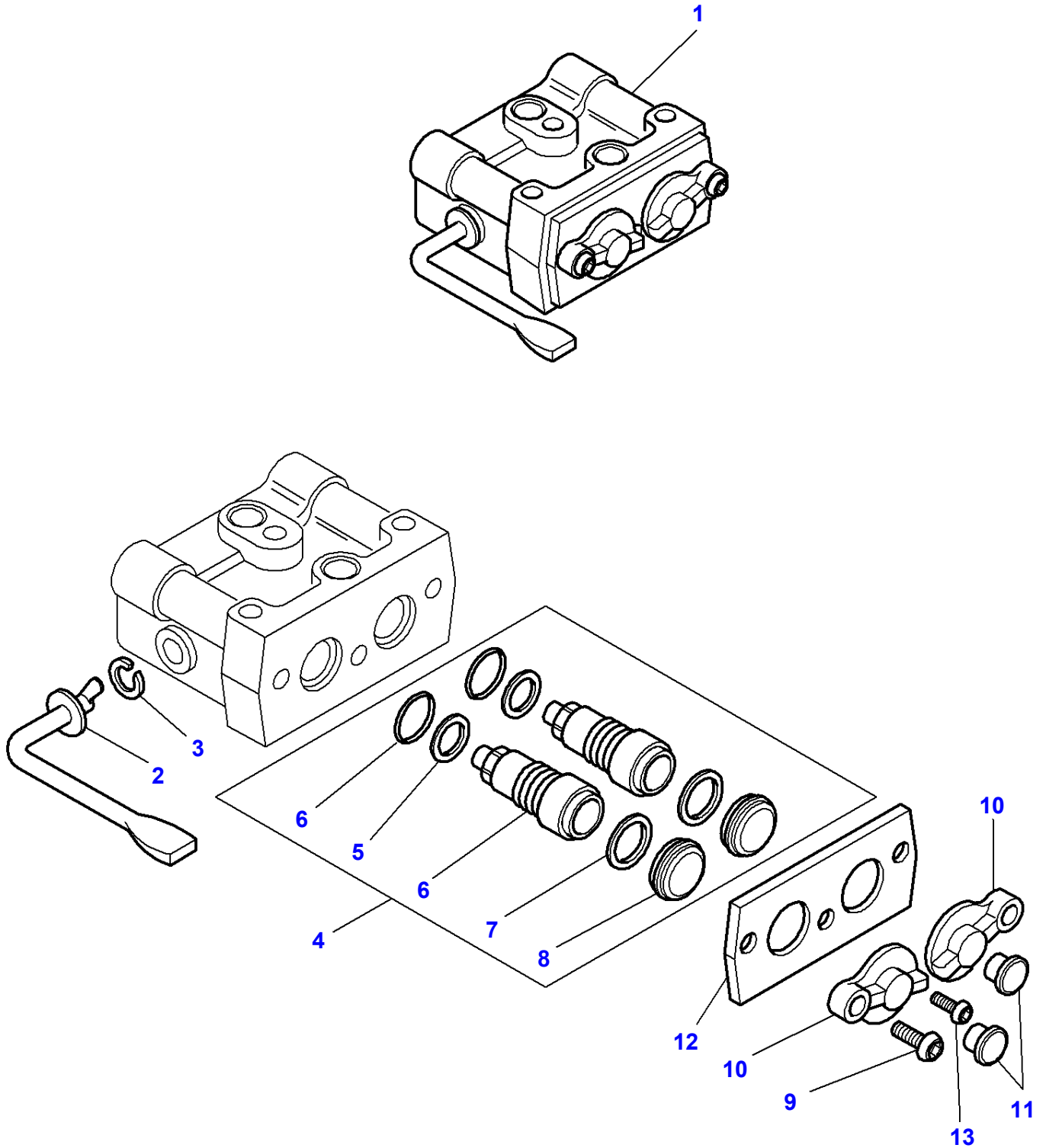
MF 8470/8480 TRACTOR (TIER 3) - 3906071
1-WP40-027-B

1-WP40-027-B



Item	Part Number	Qty	Description	Comments
1	4277182M1	1	Support	
2	3001317X1	1	Union	
3	4281990M1	1	Union	
4	3011146X1	1	O Ring	(3)
5	3011145X1	1	O Ring	(3)
6	3011404X91	2	Union	
7	4282163M1	1	Decal	
8	3011138X91	2	Tap	
9	3011148X1	1	O Ring	(8)
10	3011120X1	2	Nut	
11	3005908X1	6	Cap Nut	
12	390972X1	6	Flat Washer	
13	4275556M1	3	Stem	M8 X 245
14	339228X1	2	Hex. Sock. Screw	M8 X 12
15	4274562M3	1	Support	
16	3792734M1	2	Plate	
17	3796260M2	5	Female Coupler	070-0260/1
18	3007432X1	14	O Ring	
19	4274829M2	2	Support	
20	3009285X1	6	Screw	M8 X 16
21	4278264M1	1	Support	
22	822100070411	1	Gasket	
23	3009491X1	2	Bolt	M10 X 20
24	4274977M1	2	Spacer	
25	4278265M1	1	Support	
26	339124X1	2	Bolt	M8 X 16
27	391074X1	4	Bolt	M6 X 12
28	390974X1	2	Flat Washer	
29	4276649M1	2	Stem	
30	3011390X1	2	Nut	
31	390971X1	4	Flat Washer	
32	339230X1	4	Hex. Sock. Screw	M6 X 10
33	4275580M1	2	Support	
34	1442332X91	1	Union	
35	4275557M1	3	Stem	M8 X 175MM
36	3009494X1	2	Bolt	M10 X 35
37	1441932X1	2	Nut Metric	M10
38	3011534X91	10	Union	M22
39	3019398X1	1	O Ring	(38)
40	391990X1	2	Screw	M8 X 25
41	3011084X91	1	Union	
42	3011146X1	1	O Ring	(41)
43	4277192M2	1	Tube	

1-WP40-015-B



Hydraulic Coupling

Item	Part Number	Qty	Description	Comments
1	3796260M2	1	Female Coupler	
2	3903463M91	1	Lever	(1)
3	3903462M1	1	Circlip	(1)
4	3903972M91	1	Kit, Cartridge	(1)
5	3903464M1	2	Gasket	(4)
6	3903465M1	2	Gasket	(4)
7	3903460M1	2	Clip	(4)
8	3903459M1	2	Seal	(4)
9	3903455M1	2	Screw	(1)
10	3903456M1	2	Tap	(1)
11	3796263M1	2	Plug	[A]
	3796264M1	2	Plug	[B]
	3796262M1	2	Plug	[C]
	3796261M1	2	Plug	[D]
	4300879M1	2	Plug	[E]
12	3903458M1	1	Plate	(1)
13	3903457M1	1	Screw	(1)

FOOTNOTE [A] BLACK

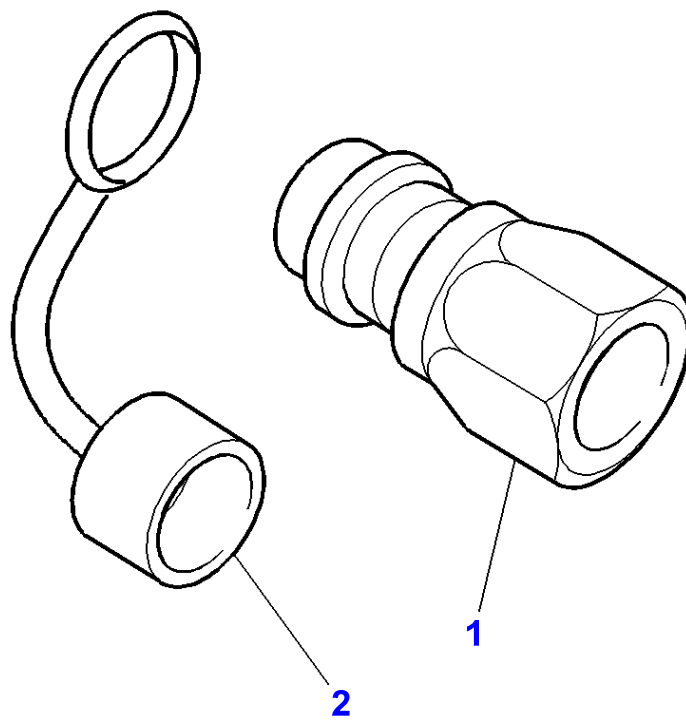
FOOTNOTE [B] RED

FOOTNOTE [C] GREEN

FOOTNOTE [D] YELLOW

FOOTNOTE [E] BLUE

1-WP43-001-A



Massey Ferguson**MF 8470/8480 TRACTOR (TIER 3) - 3906071****3906071****Male Coupler****Page070-0265**

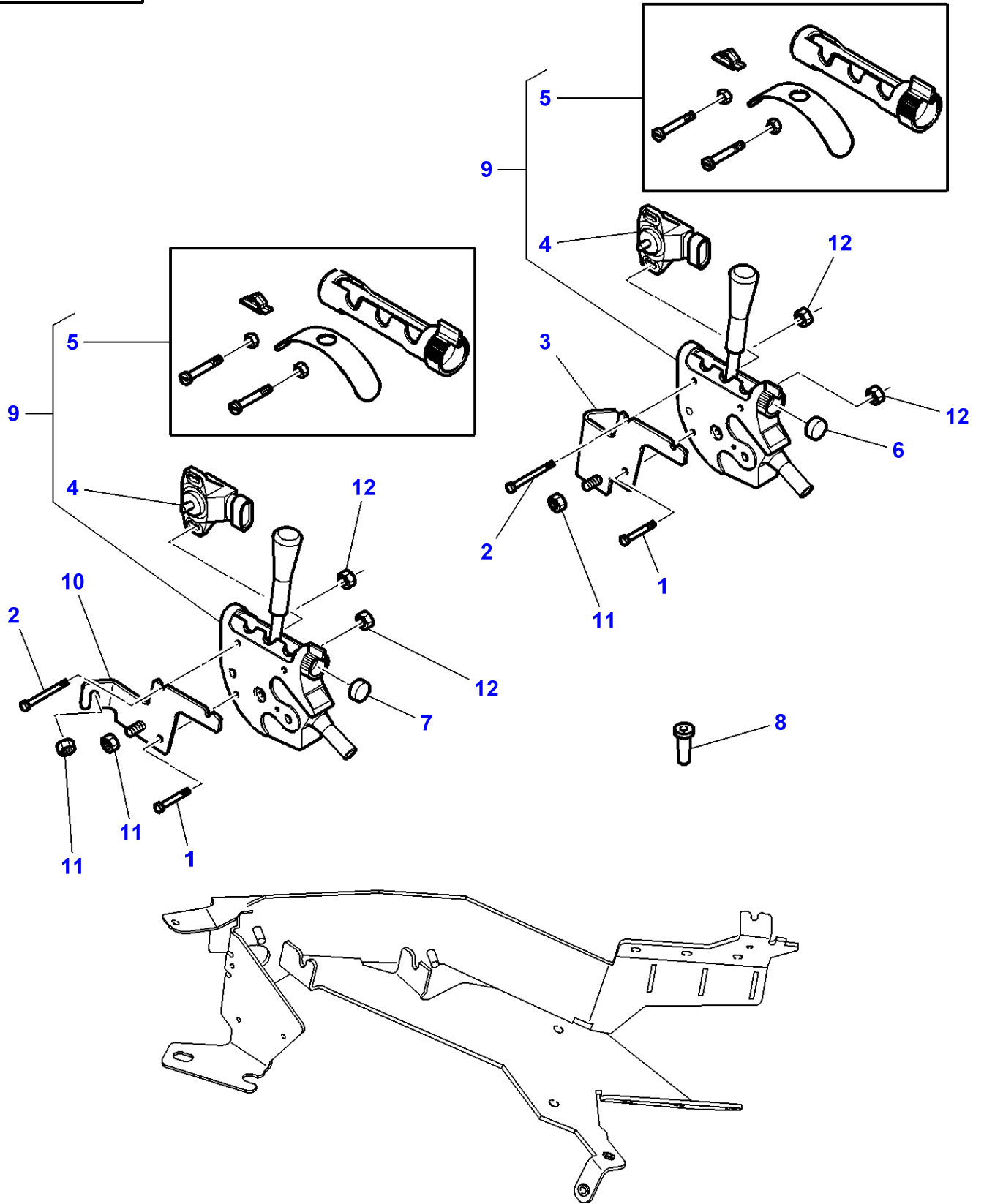
Item	Part Number	Qty	Description	Comments
1	3583932M1	X	Male Coupler	M18X1,5
	1026700M91	X	Male Coupler	3/4"
2	3615822M1	X	Cap	

Oil Recovery

Item	Part Number	Qty	Description	Comments
1	4274980M1	1	Support	
2	390916X1	2	Hex. Sock. Screw	M6 X 8
3	4284633M1	1	Can	
4	338795X91	4	Union	M14
5	338762X1	1	Seal	(4)
6	4277193M1	1	Union	M14
7	3011099X91	1	Plug	M14X1,5
8	338762X1	1	Seal	(7)
9	4274830M1	1	Tube	
10	4274831M3	1	Tube	
11	4274995M1	1	Union	
12	1441121X1	1	O Ring	(11)
13	4276166M2	1	Hydr. Hose	210 MM
14	4276167M1	1	Hydr. Hose	R321048
15	3011083X91	1	Union	M16X1,5
16	3011145X1	1	O Ring	(15)
17	3011289X91	1	T-Piece	R285062
18	3011146X1	1	O Ring	(17)
19	4276167M2	1	Hydr. Hose	[A] R321049
20	3712465M1	1	Hose Clip	

FOOTNOTE [A] VALID ALSO FOR TRACTOR R313045

1-WP58-002-B



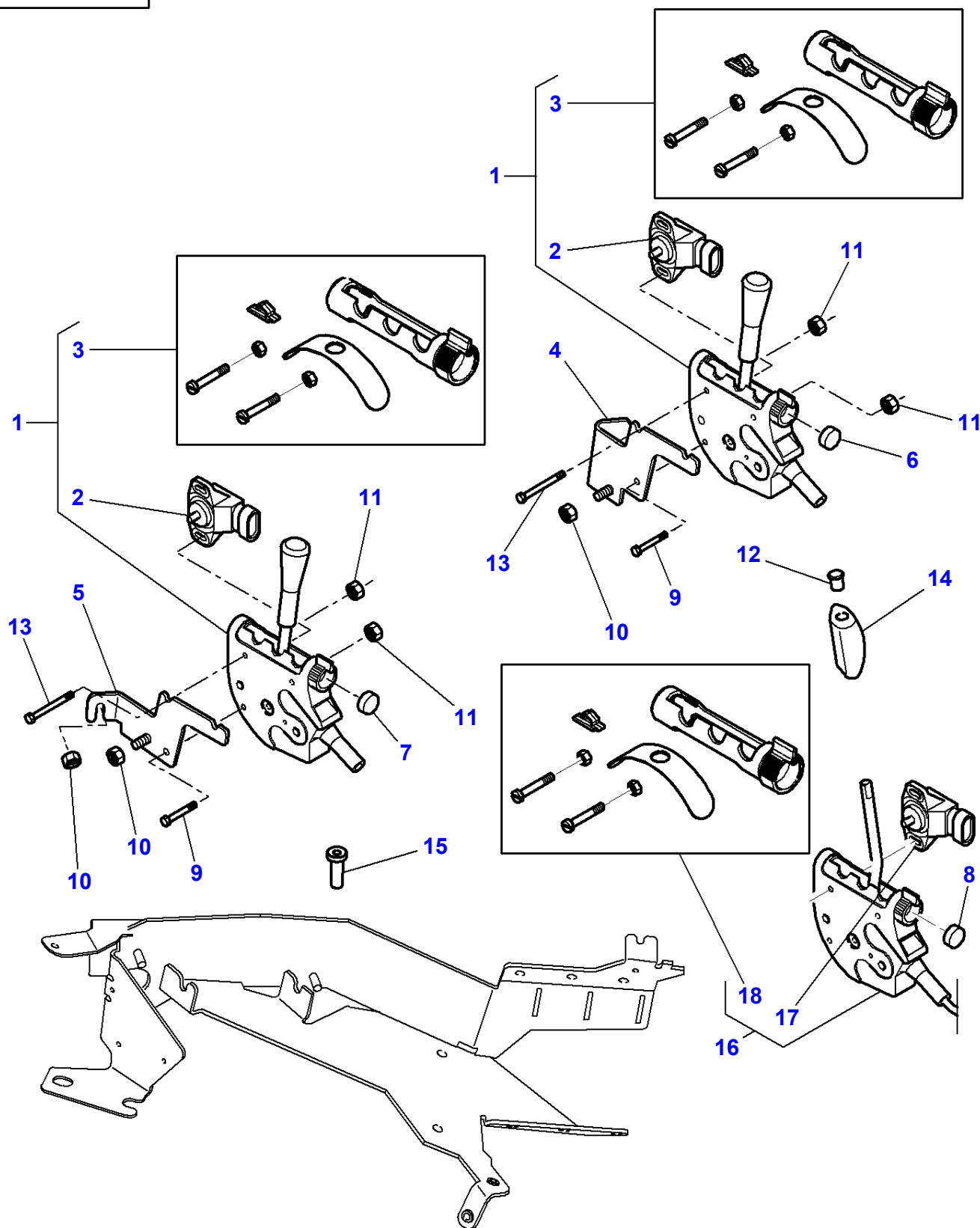
Massey Ferguson**MF 8470/8480 TRACTOR (TIER 3) - 3906071****3906071****CONTROL WITH 2 DISTRIBUTORS ELECTRODYNAMIQUE - AND 2 DUAL CONTROL - 4 Distributors****Page070-0275**

Item	Part Number	Qty	Description	Comments
1	391244X1	6	Hex. Sock. Screw	M6 X 45
2	3009035X1	3	Hex. Sock. Screw	M6 X 75
3	4270720M3	1	Plate Clamping	
4	3797129M1	1	Position Sensor	(9)
5	3907279M92	1	Parts Pack	(9)
6	3787596M2	1	Padding	[B]
7	3787597M2	1	Padding	[A]
8	3787578M1	4	Plug	
9	3787595M92	2	Wobble Drive	
10	4271369M3	1	Plate Clamping	
11	394367X1	4	Locknut	M8
12	1441500X1	6	Top Locknut	M6

FOOTNOTE [A] BLACK

FOOTNOTE [B] YELLOW

1-WP44-001-B

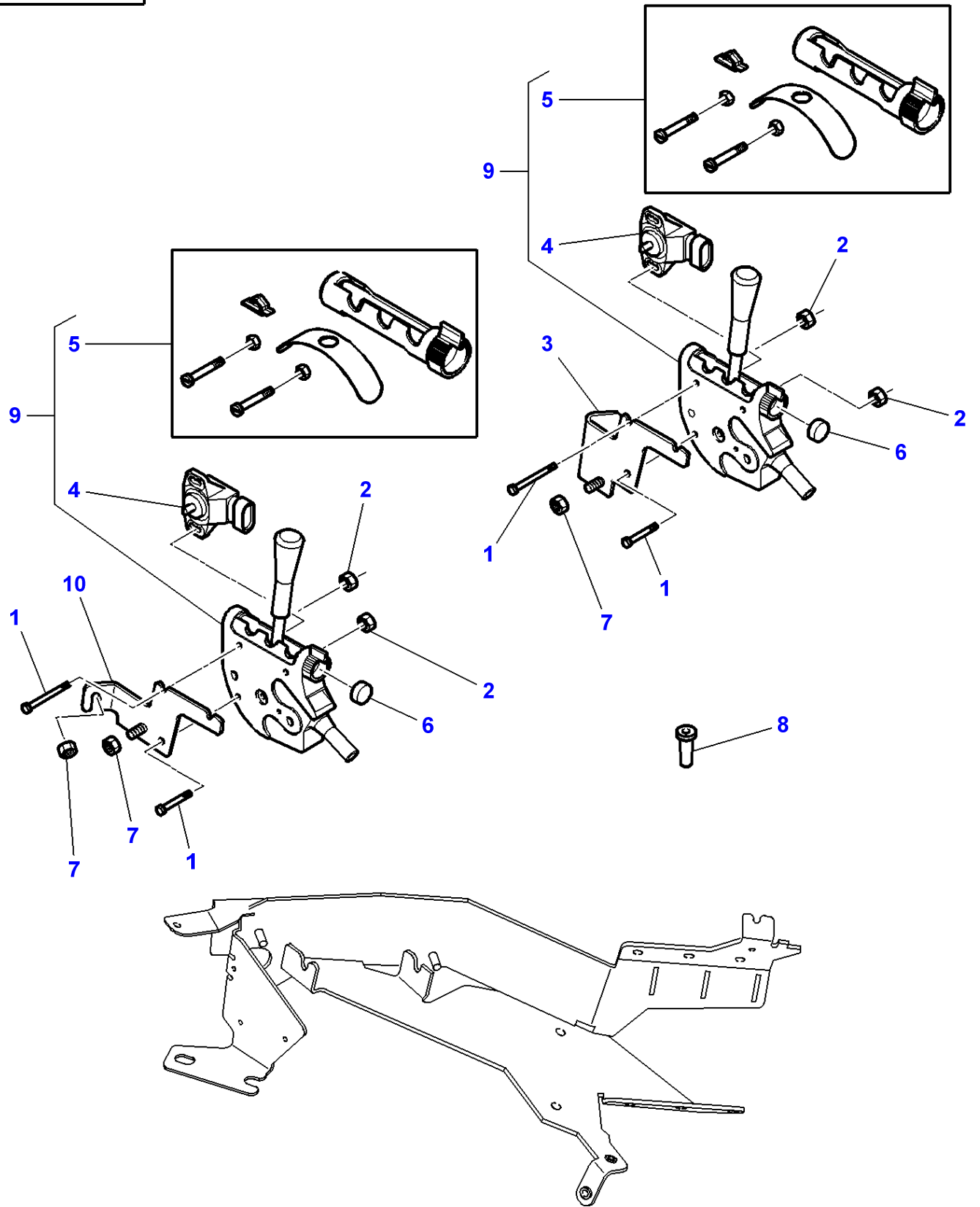


Massey Ferguson**MF 8470/8480 TRACTOR (TIER 3) - 3906071****3906071****Control With 2 Distributors Electroynamique - +1 MECHANICAL CONTROL + 2 DUAL - 5 DISTRIBUTORS****Page070-0280**

Item	Part Number	Qty	Description	Comments
1	3787595M92	2	Wobble Drive	
2	3797129M1	1	Position Sensor	(1)
3	3907279M92	1	Parts Pack	(1)
4	4270720M3	1	Plate Clamping	
5	4271369M3	1	Plate Clamping	
6	3787596M2	1	Padding	[B]
7	3787597M2	1	Padding	[A]
8	3787600M2	1	Padding	[C]
9	391244X1	3	Hex. Sock. Screw	M6 X 45
10	394367X1	4	Locknut	M8
11	1441500X1	6	Top Locknut	M6
12	3715496M1	1	Muff	
13	3009035X1	3	Hex. Sock. Screw	M6 X 75
14	3715495M1	1	Grip	
15	3787578M1	4	Plug	
16	4277700M92	1	Wobble Drive	
17	3797129M1	1	Position Sensor	(16)
18	3907279M92	1	Parts Pack	(16)

FOOTNOTE [A] BLACK**FOOTNOTE [B] YELLOW****FOOTNOTE [C] BLUE**

1-WP67-001-A

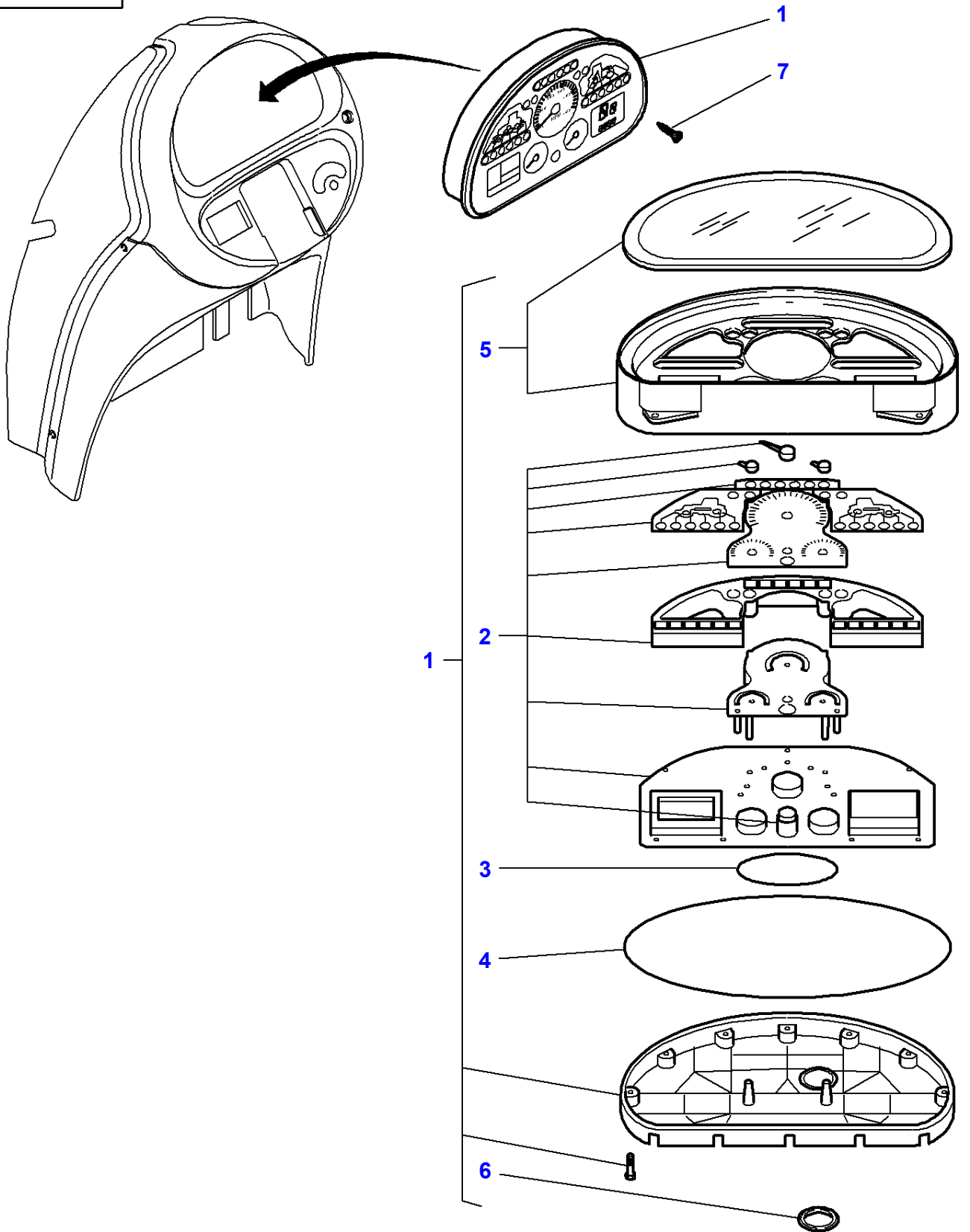


Massey Ferguson**MF 8470/8480 TRACTOR (TIER 3) - 3906071****3906071****CONTROL WITH 5-6 DISTRIBUTORS electrodynamique - Module Fingertip****Page070-0285**

Item	Part Number	Qty	Description	Comments
1	391244X1	3	Hex. Sock. Screw	M6 X 45
2	1441500X1	3	Top Locknut	M6
3	4270720M3	1	Plate Clamping	
4	3797129M1	1	Position Sensor	(9)
5	3907279M92	1	Parts Pack	(9)
6	4279537M2	1	Padding	[B]
	3787600M2	1	Padding	[A]
	3787597M2	1	Padding	[C]
	3787596M2	1	Padding	[D]
7	394367X1	4	Locknut	M8
8	3787578M1	4	Plug	
9	3787595M92	X	Wobble Drive	
10	4271369M3	1	Plate Clamping	

FOOTNOTE [A] BLUE
FOOTNOTE [B] BROWN
FOOTNOTE [C] BLACK
FOOTNOTE [D] YELLOW

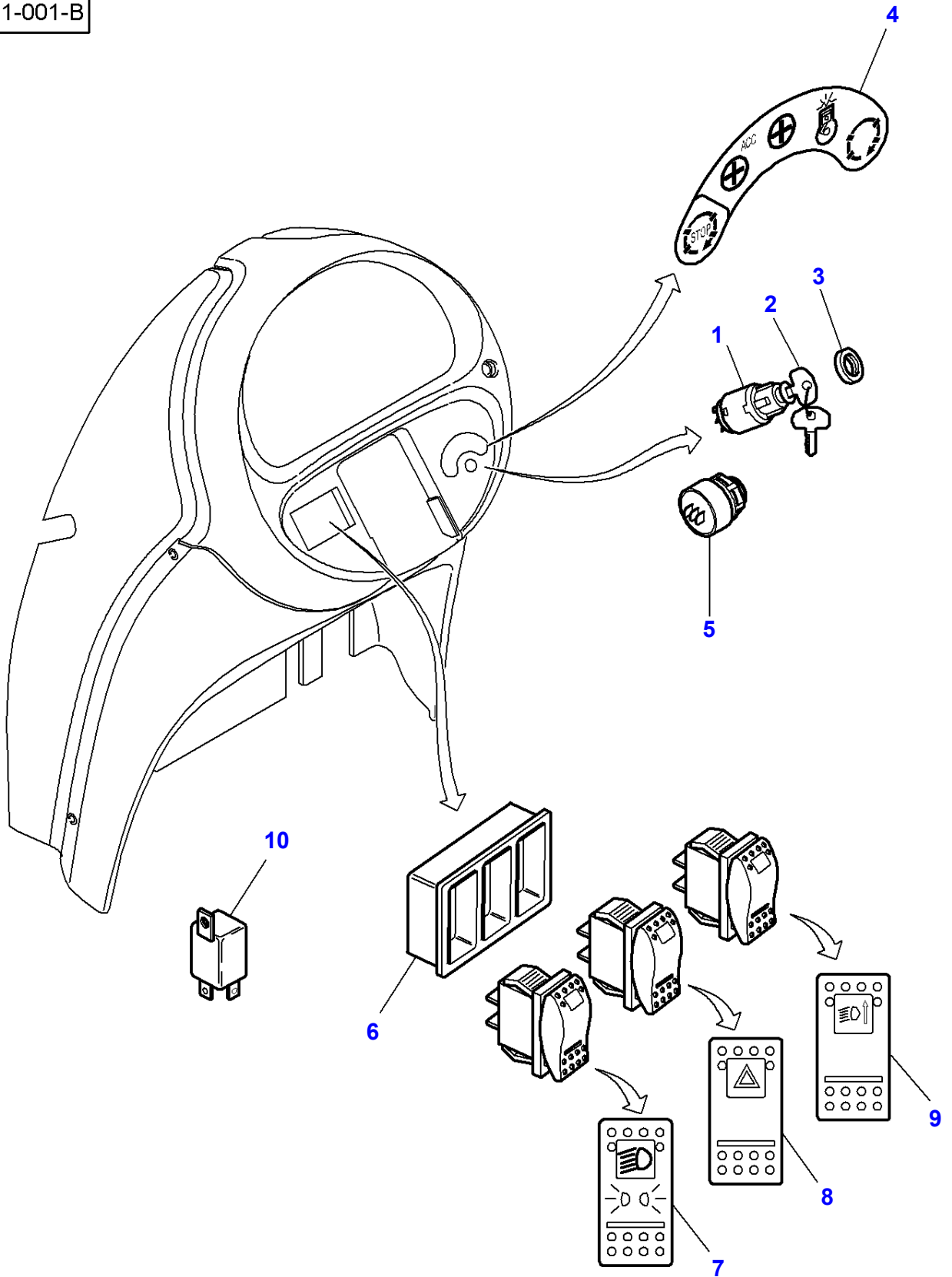
1-WC15-001-D



Massey Ferguson**MF 8470/8480 TRACTOR (TIER 3) - 3906071****3906071****Instrument Panel & Instruments - With Dot Matrix****Page080-0005**

Item	Part Number	Qty	Description	Comments
1	3787409M95	1	Instrument Panel	
2		1	Printed Circuit	(1) REF. 1
3	3907246M1	1	Gasket	(1)
4	3907247M1	1	Gasket	(1)
5	3907532M91	1	Panel	(1)
6	3907255M1	1	Helmet	(1)
7	3010791X1	4	Screw	M4 X 20

1-WU21-001-B

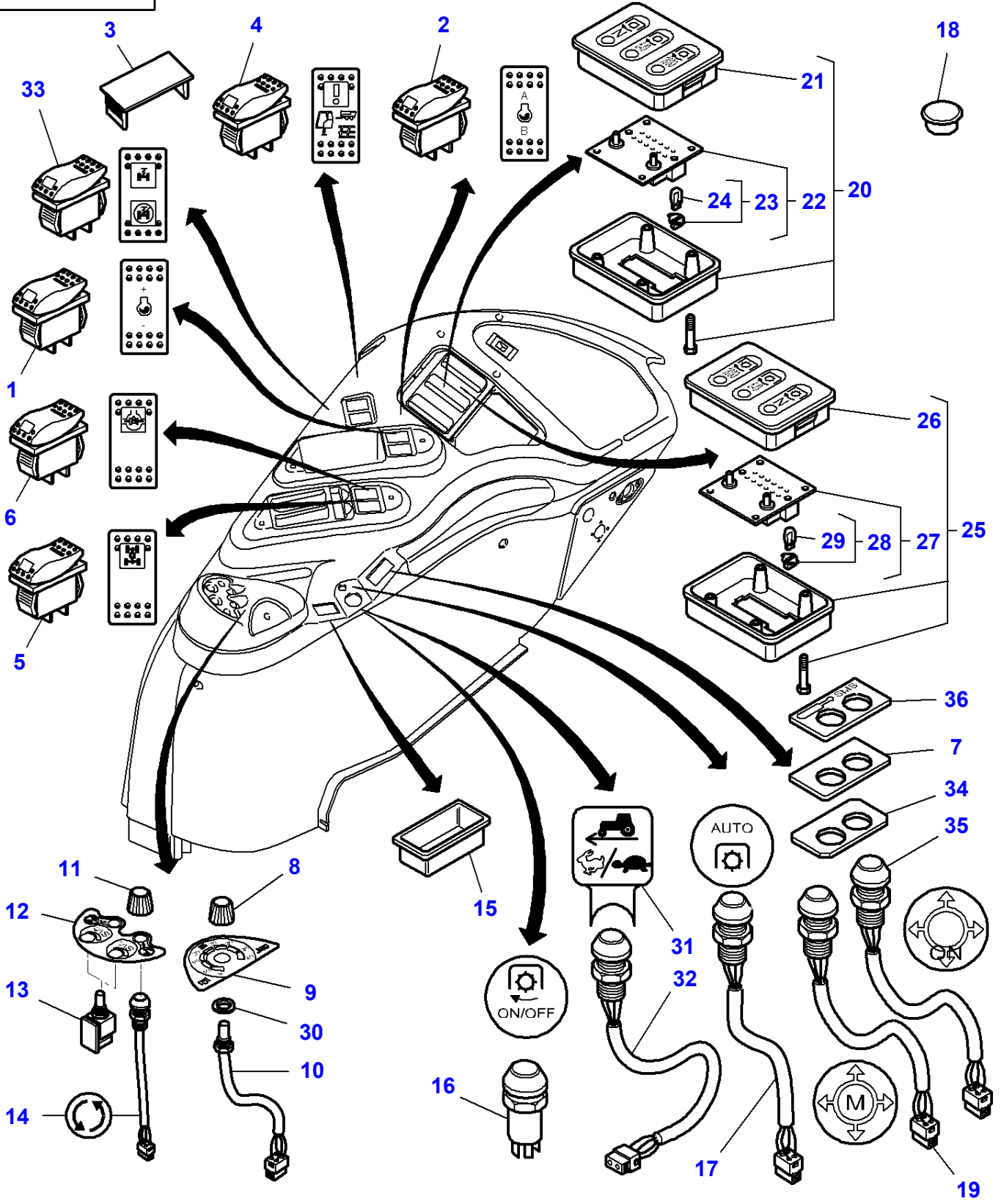


Massey Ferguson**MF 8470/8480 TRACTOR (TIER 3) - 3906071****3906071****Electric Equipment & Instrument Panel****Page080-0010**

Item	Part Number	Qty	Description	Comments
1	3779699M1	1	Switch,Indirect	
2	3813361M1	1	Ignition Key	
3	1694534M1	1	Bezel	
4	4271558M1	1	Decal	
5	3713367M1	1	Horn	
6	4290438M1	1	Housing	3809798M1
7	4293537M1	1	Switch,Indirect	4271342M1
8	4293544M1	1	Switch,Indirect	4271916M2
9	4271343M1	1	Switch,Indirect	
10		X	Not Used	

MF 8470/8480 TRACTOR (TIER 3) - 3906071
1-WU18-018-A

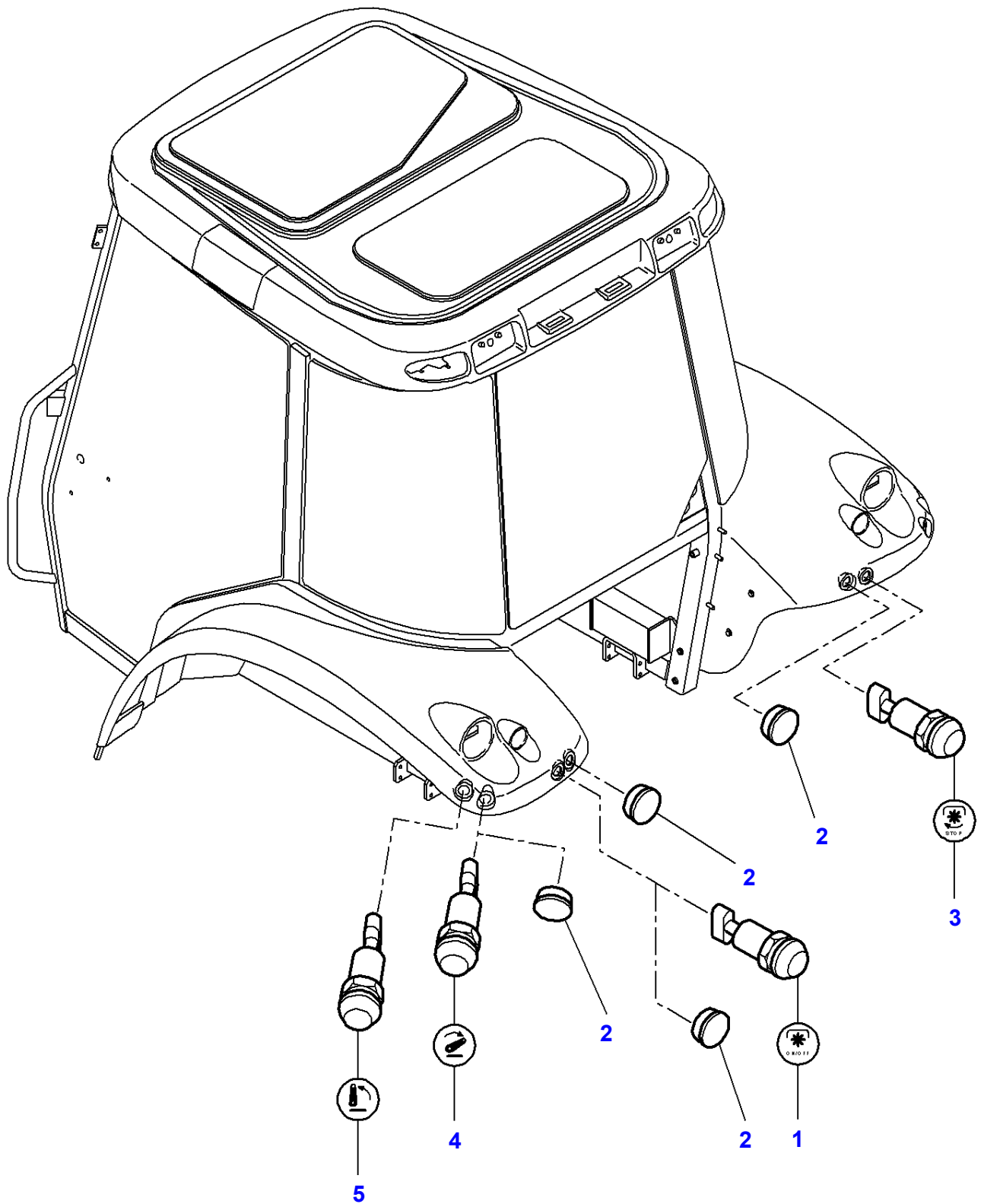
1-WU18-018-A



Side Console Switches

Item	Part Number	Qty	Description	Comments
1	4290443M1	1	Switch,Indirect	+/- 4271346M1
2	4290444M1	1	Switch,Indirect	A/B 4271347M1
3	4290432M1	X	Shutter	3713151M1
4	4293543M1	1	Switch,Indirect	4271351M2
5	4293541M1	1	Switch,Indirect	4271349M3
6	4293540M1	1	Switch,Indirect	4271348M2
7	4279044M2	1	Plate	
8	4273261M1	1	Button	
9	4271338M2	1	Decal	
10	4270162M2	1	Potentiometer	
11	4273260M1	2	Button	
12	4271337M2	1	Decal	
13	3788160M2	2	Meter	
14	4291979M2	2	Switch	
15	4290448M1	1	Support	4271925M1
16	4284629M1	1	Switch,Indirect	
17	4291981M1	1	Switch,Indirect	
18	3784237M1	1	Plug	13MM
19	4291983M2	1	Switch,Indirect	
20	4277367M2	1	Console	750/1000 RPM
21	3907423M91	1	Case Assy	(20)
22		1	Printed Circuit	(20) REF. 20
23	3713385M1	2	Lamp Socket	(22)
24	3405185M1	1	Bulb 12v 1.2w	(23)
25	4277366M2	1	Console	540/1000 RPM
26	3907422M91	1	Case Assy	(25)
27		1	Printed Circuit	(25) REF. 25
28	3713385M1	2	Lamp Socket	(27)
29	3405185M1	1	Bulb 12v 1.2w	(28)
30	3619096M1	1	Washer	10,5 X 32
31	4280318M1	1	Decal	
32	4291988M1	1	Switch,Indirect	
33	4293542M1	1	Switch,Indirect	4271350M1
34	4279046M2	1	Support	
35	4291984M3	1	Switch,Indirect	
36	4279054M2	1	Decal	

1-WU22-006-A



Massey Ferguson

MF 8470/8480 TRACTOR (TIER 3) - 3906071

3906071

External Controls Fitted On The Rear Fenders

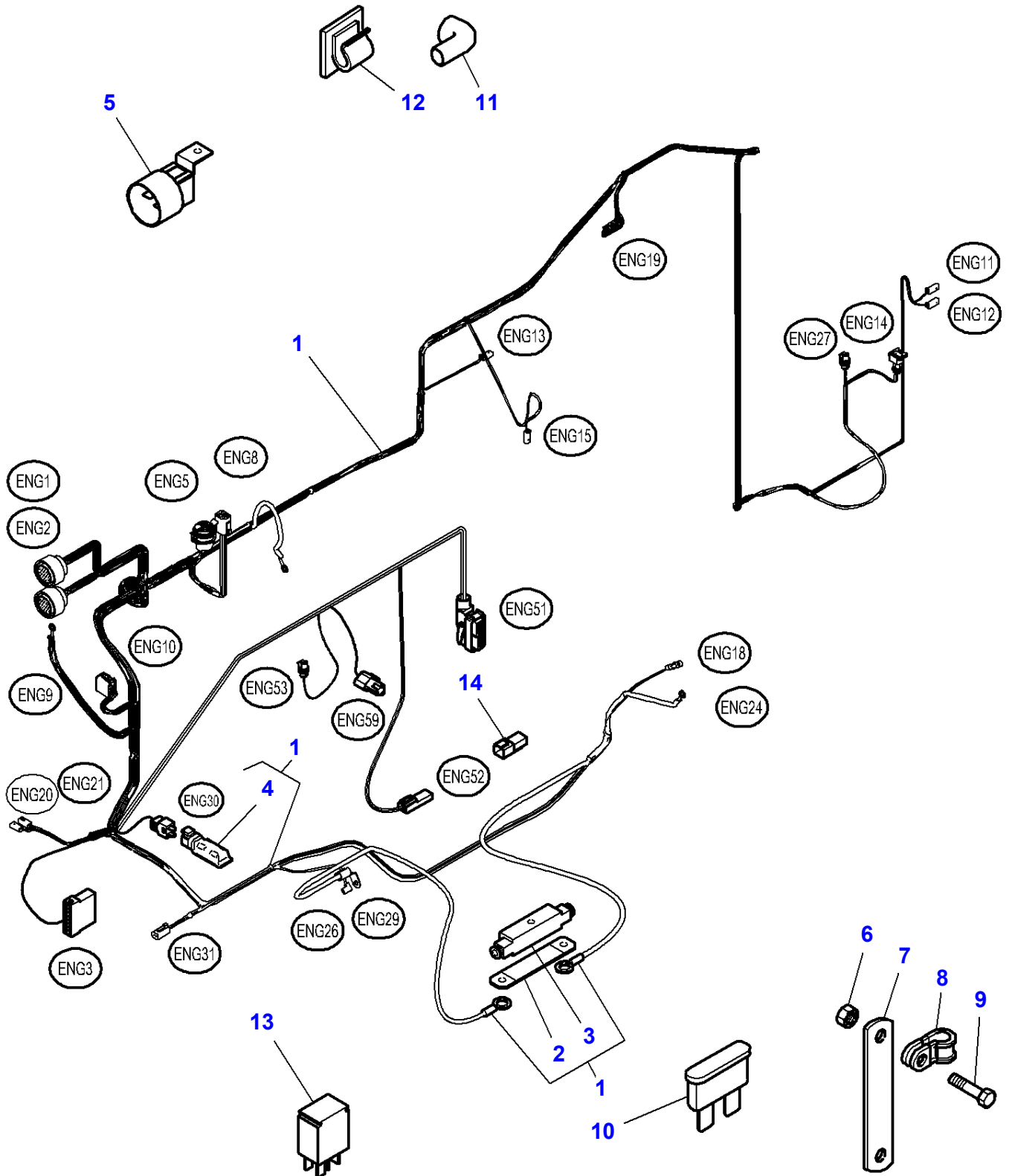
Page080-0020

Item	Part Number	Qty	Description	Comments
1	4284629M1	1	Switch,Indirect	
2	4274755M2	X	Plug	31 MM
3	4284630M1	1	Switch,Indirect	
4	4284627M2	2	Switch,Indirect	[B]
5	4284628M2	2	Switch,Indirect	[A]

FOOTNOTE [A] UP

FOOTNOTE [B] DOWN

1-WW20-015-C

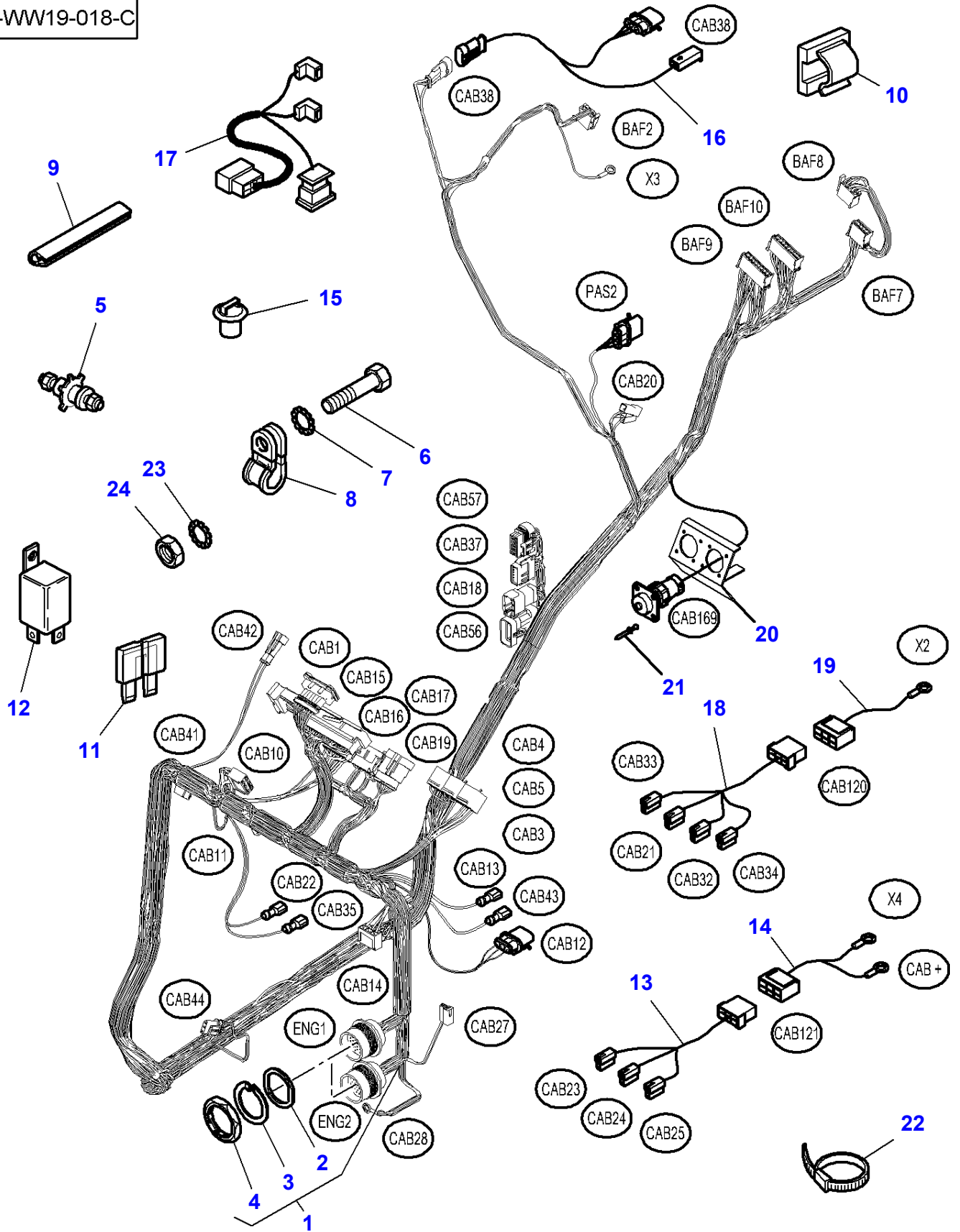


Massey Ferguson**MF 8470/8480 TRACTOR (TIER 3) - 3906071****3906071****Engine Harness****Page080-0025**

Item	Part Number	Qty	Description	Comments
1	4282740M94	1	Harness	
2	3789732M1	1	Fuse	(1) 225 AMP
3	3789733M2	1	Case Assy	(1)
4	4274355M2	1	Diode	(1)
5	3779879M1	2	Relay	12V - 50A
6	339169X1	3	Nut	M8
	339402X1	1	Nut	M10
7	3778841M2	1	Strap	
8	3581424M1	2	Clip	30 - M8
	3779547M1	1	Clamp	22 - M10
9	339123X1	3	Bolt	M8 X 20
	3009205X1	1	Carriage Bolt	M10
10	4271799M1	3	Fuse	5 AMP
	4271801M1	2	Fuse	10 AMP
	4271802M1	2	Fuse	15 AMP
11	3784666M1	1	Helmet	
12	3582094M1	24	Tie	
13	4272431M1	4	Relay	12V - 10/20A 4RD 007 814-01
14	4295203M1	1	Plug	12-DEC-2007

MF 8470/8480 TRACTOR (TIER 3) - 3906071
1-WW19-018-C

1-WW19-018-C



Instrument Panel Harness

Item	Part Number	Qty	Description	Comments
1	4281604M1	1	Harness	
2	3013355X1	1	Seal	(1)
3	3013354X1	1	Washer	(1)
4	3013353X1	1	Nut	(1)
5	72500822	1	Terminal	
6		X	Not Used	
7	22428X	1	Tooth Washer	03-AUG-2006
	3010597X1	1	Tooth Washer	8-20 X 2 04-AUG-2006
8	3581424M1	1	Clip	25 MM
9	3580695M1	1	Gasket	[A] 1600 MM 31-DEC-2006
10	3760697M1	1	Clip	31-DEC-2006
11	4271801M1	1	Fuse	10 AMP
	4271842M1	1	Fuse	40 AMP
12	4272431M1	1	Relay	12V - 10/20A 4RD 007 814-01
13	4276768M91	1	Harness	
14	4277434M91	1	Harness	
15	4278720M1	X	Tie	
16	4279691M1	1	Harness	[C]
17	3783857M1	1	Harness	
18	4276769M91	1	Harness	
19	4277205M91	1	Harness	630 MM
20	4282622M1	1	Support	01-JAN-2007
21	3011214X1	4	Rivet	01-JAN-2007
22	3619622M1	X	Cable Tie	01-JAN-2007
23	3010597X1	3	Tooth Washer	8-20 X 2 21-FEB-2007
24	339169X1	3	Nut	M8 21-FEB-2007

FOOTNOTE [A] CUT TO REQUIRED LENGTH

FOOTNOTE [C] AUTOMATIC AIR CONDITIONER

Massey Ferguson

MF 8470/8480 TRACTOR (TIER 3) - 3906071

3906071

Instrument Panel Harness - Armrest

Page080-0035

Item	Part Number	Qty	Description	Comments
1	3789824M4	1	Harness	
2	4271408M2	1	Grommet	19 MM

Massey Ferguson

MF 8470/8480 TRACTOR (TIER 3) - 3906071

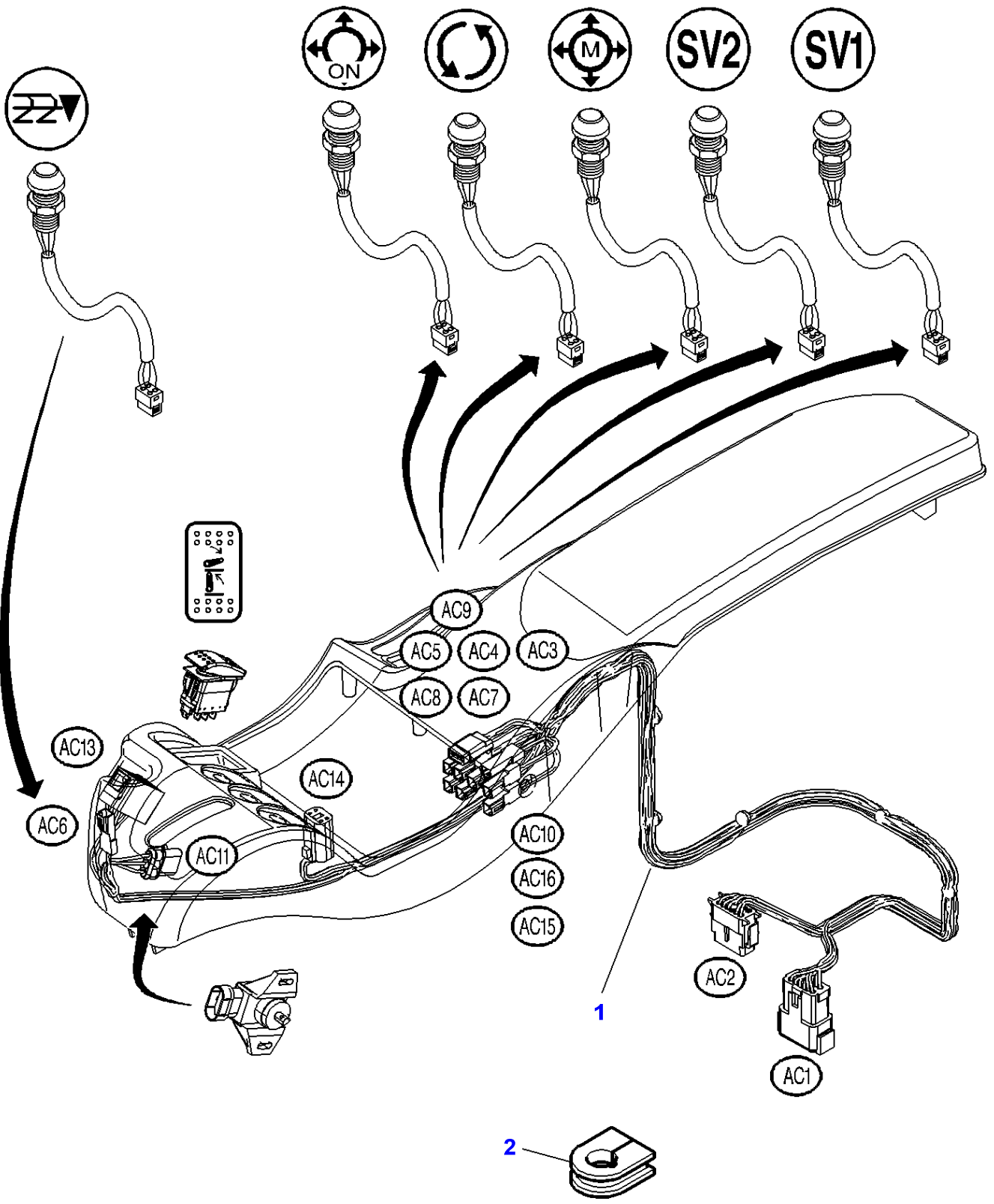
3906071

Instrument Panel Harness - Armrest - For Dyna-Step Tractors - United States Only

Page080-0040

Item	Part Number	Qty	Description	Comments
1	3789824M4	1	Harness	
2	4271408M2	1	Grommet	19 MM

1-WW18-004-A



Massey Ferguson

MF 8470/8480 TRACTOR (TIER 3) - 3906071

3906071

Instrument Panel Harness - Armrest - Fingertip

Page080-0045

Item	Part Number	Qty	Description	Comments
1	4277900M1	1	Harness	
2	4271408M2	1	Grommet	19MM

MF 8470/8480 TRACTOR (TIER 3) - 3906071
1-WW50-001-E

1-WW50-001-E

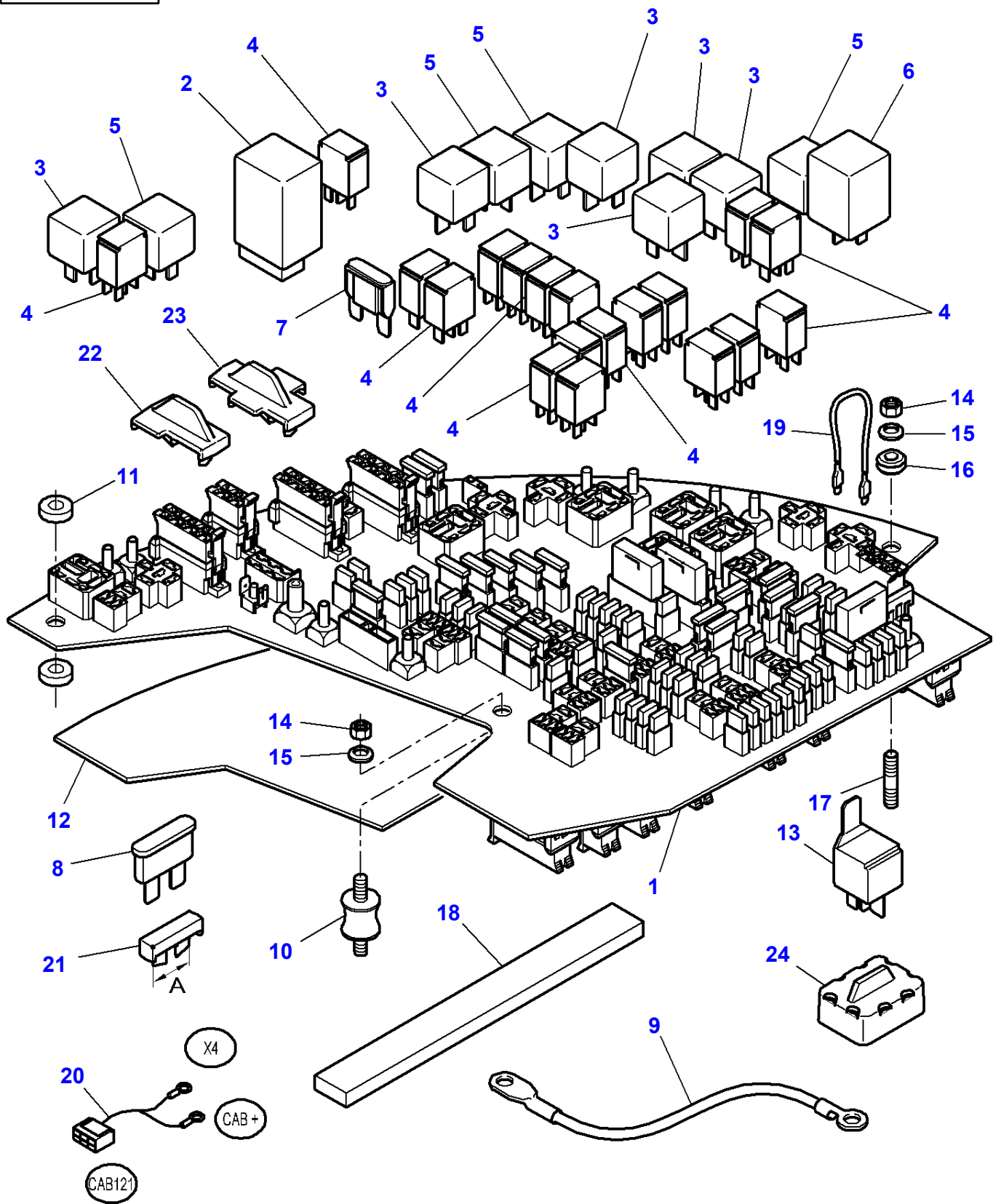


Plate Relay & Fuse Holder

Item	Part Number	Qty	Description	Comments
1	4275903M94	1	Plate Clamping	[D]
2	4271990M1	1	Blinker	
	4271989M1	1	Blinker	
3	4270844M1	X	Relay	[E] 12V 4RA 007 793-03
4	4272431M1	X	Relay	[E] 12V 10/20A 4RD 007 814-01
5	4272432M1	X	Relay	[E] 12V 4RD 007 794-02
6	4271991M1	1	Relay	
7	4271803M1	1	Fuse	[E] 50 AMP 29,2MM
8	4271799M1	X	Fuse	[E] 5 AMP 11,2MM
	4271800M1	X	Fuse	[E] 7.5 AMP 11,2MM
	4271801M1	X	Fuse	[E] 10 AMP 11,2MM
	4271802M1	X	Fuse	15 AMP 11,2MM
	3580868M1	X	Fuse	[E] 3 AMP 19,5 MM
	3387321M1	X	Fuse	15 AMP 19,5 MM
	3780003M1	X	Fuse	[E] 20 AMP 19MM
	3387322M1	X	Fuse	[E] 25 AMP 19MM
	3712661M1	X	Fuse	[E] 30 AMP 19MM
	4271842M1	X	Fuse	40 AMP 29,2MM
9	4275698M1	1	Cable	[A] 2000 MM 8 + 8
	4277435M91	1	Harness	[A] 390 MM 10 + 8
10	4271913M1	1	Dowel	
11		X	Not Used	
12	4273612M1	1	Foam	
13	3387326M2	1	Relay	12V-50A 4RA 007 793-04
14	339030X1	3	Nut	M6
	1441500X1	1	Top Locknut	[C] M6
15	391038X1	3	Flat Washer	
16	3814812M1	2	Grommet	
17	3019057X1	1	Stud	M6 X 30
	3019056X1	1	Stud	M6 X 25
18	4277850M1	1	Gasket	865 X 7 X 4
19	4276825M1	1	Wire	100 MM
20		1	Not Used	
21	4280414M1	X	Plug	[H] A= 11 MM
	4280415M1	X	Plug	[H] A= 14,7 MM
	4280416M2	X	Plug	[H] A= 29 MM R129020
22	4280417M1	X	Plug	[I]

Massey Ferguson

MF 8470/8480 TRACTOR (TIER 3) - 3906071

3906071

Plate Relay & Fuse Holder

Page080-0050

Item	Part Number	Qty	Description	Comments
23	4280418M2	X	Plug	[I] R129020
24	4280419M1	X	Plug	[I] 50 AMP

FOOTNOTE [A] BLACK

FOOTNOTE [C] CHECK NUT

FOOTNOTE [D] PREEQUIPED PLATE CLAMPING

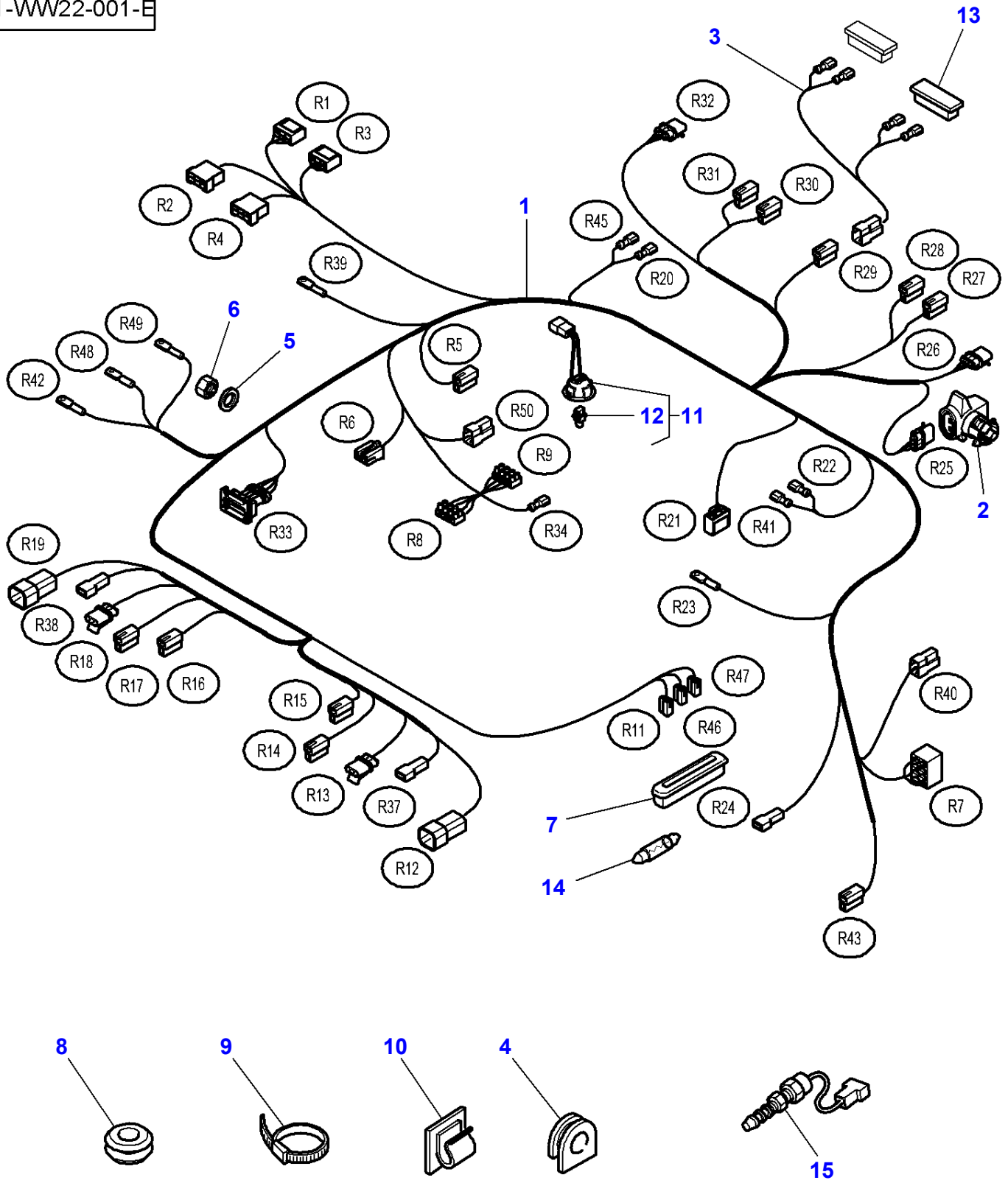
FOOTNOTE [E] BELONGS TO ASSEMBLY 4275903M94

FOOTNOTE [H] FUSE

FOOTNOTE [I] RELAY

MF 8470/8480 TRACTOR (TIER 3) - 3906071
1-WW22-001-E

1-WW22-001-E



Roof Harness

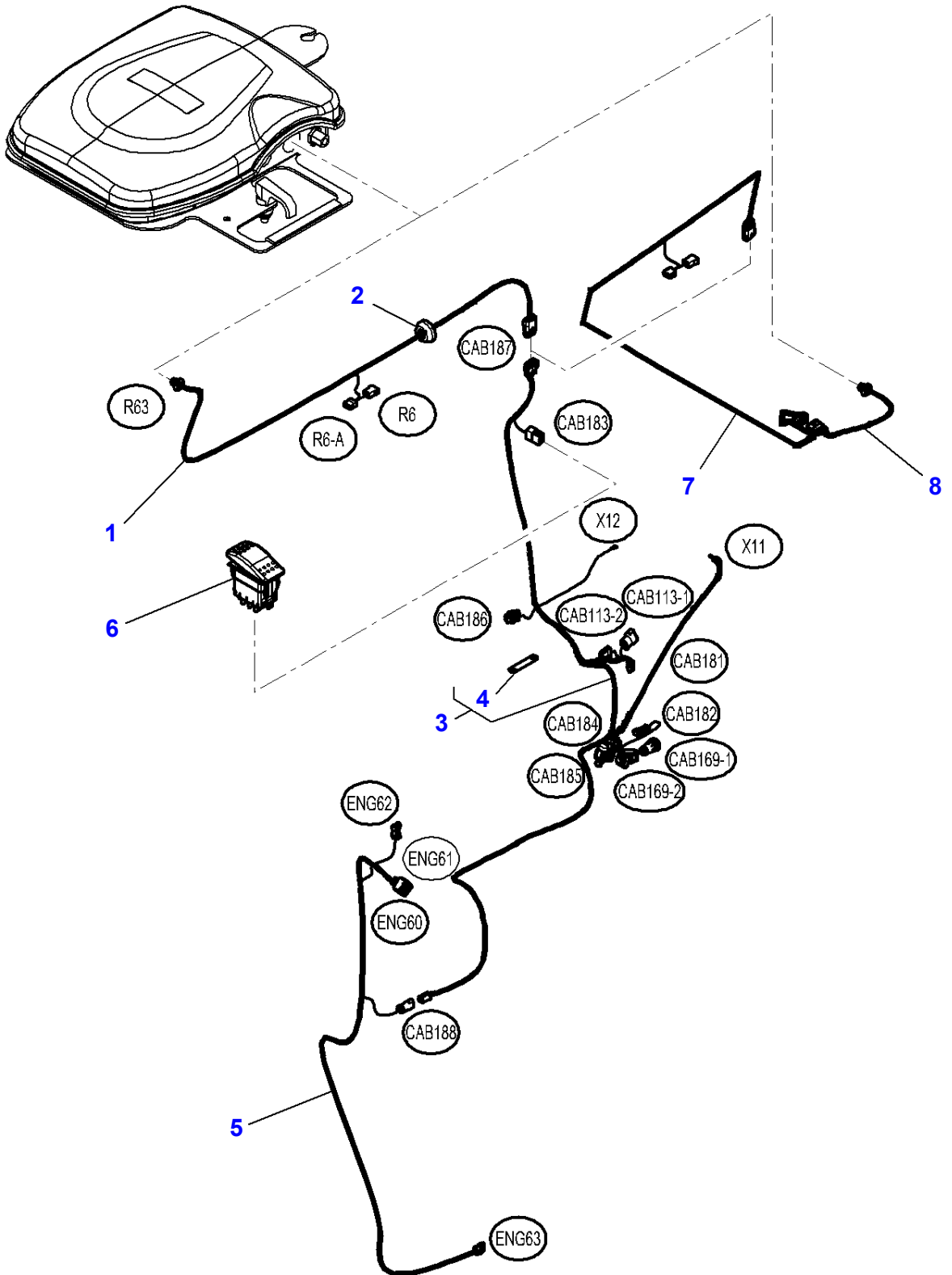
Item	Part Number	Qty	Description	Comments
1	4277241M93	1	Harness	
	4277244M92	1	Harness	[B] S094065
	4291438M2	1	Harness	[B] S094066
2	3714264M1	1	Transmitter	[A]
3	3787513M91	1	Harness	
4	3387555M1	1	Grommet	11 mm
5	3001856X1	X	Washer	4-12 X 1,1
6	3019139X1	X	Nut	M4
7	3385820M1	1	Roof Light	
8	367439X1	1	Grommet	15-25
	3714694M1	1	Grommet	7-21
9	3619622M1	X	Cable Tie	
10	3760697M1	3	Clip	
11	3786673M1	1	Roof Light	[C]
12	3907271M1	1	Bulb 12v 5w	(11)
13	3786670M1	2	N/Plate Lamp	
14	3385821M1	1	Bulb 12v 10w	
15	4293575M1	1	Switch,Indirect	3780395M2

FOOTNOTE [A] TEMPERATURE SENSOR

FOOTNOTE [B] USED WITH OPTIONAL FRONT WORKLAMPS

FOOTNOTE [C] CONSOLE READING LAMP

1-WW24-001-A

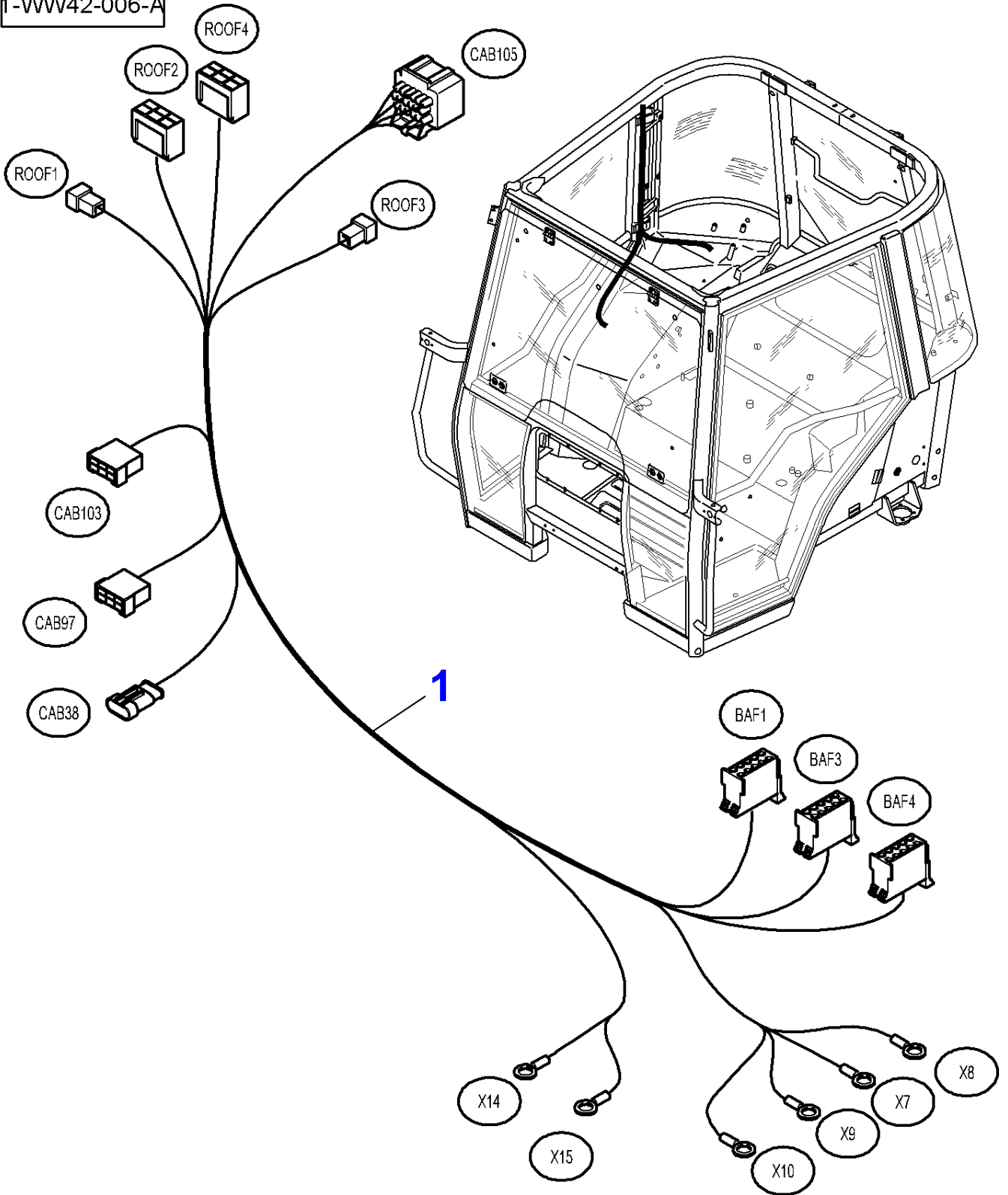


Massey Ferguson**MF 8470/8480 TRACTOR (TIER 3) - 3906071****3906071****Roof Harnes - Auto Guide****Page080-0060**

Item	Part Number	Qty	Description	Comments
1	4290250M1	1	Harness	SEP-2007
2	3714694M1	1	Grommet	
3	4290249M91	1	Harness	
4	3387318M1	1	Fuse	(3) 5 AMP.
5	4290251M1	1	Harness	
6	4290062M1	1	Switch,Indirect	
7	4293788M1	1	Harness	SEP-2007
8	4293789M1	1	Harness	SEP-2007

MF 8470/8480 TRACTOR (TIER 3) - 3906071
1-WW42-006-A

1-WW42-006-A



Massey Ferguson

MF 8470/8480 TRACTOR (TIER 3) - 3906071

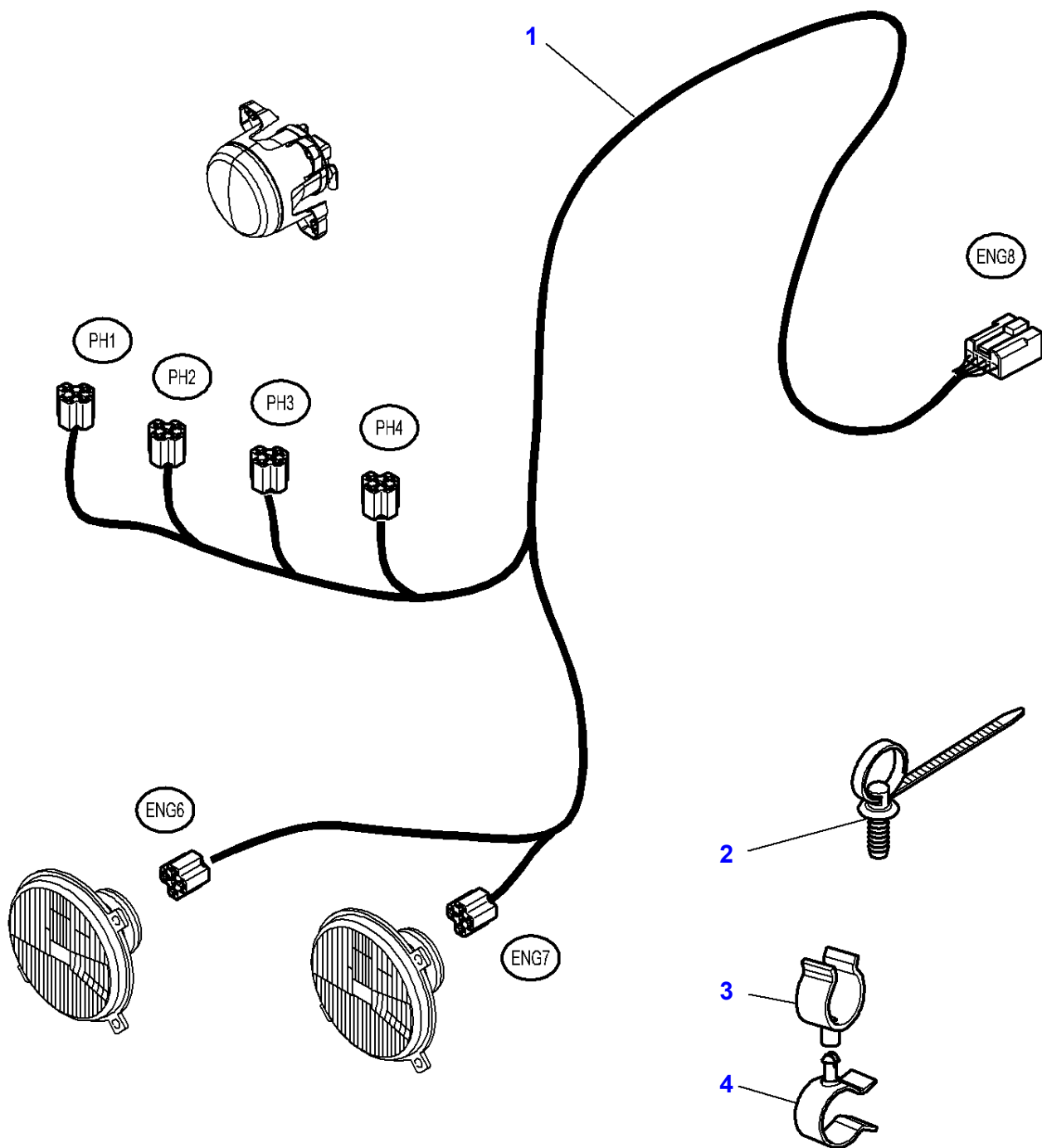
3906071

Pillar Harness

Page080-0065

Item	Part Number	Qty	Description
1	4282944M1	1	Harness

1-WW44-001-B

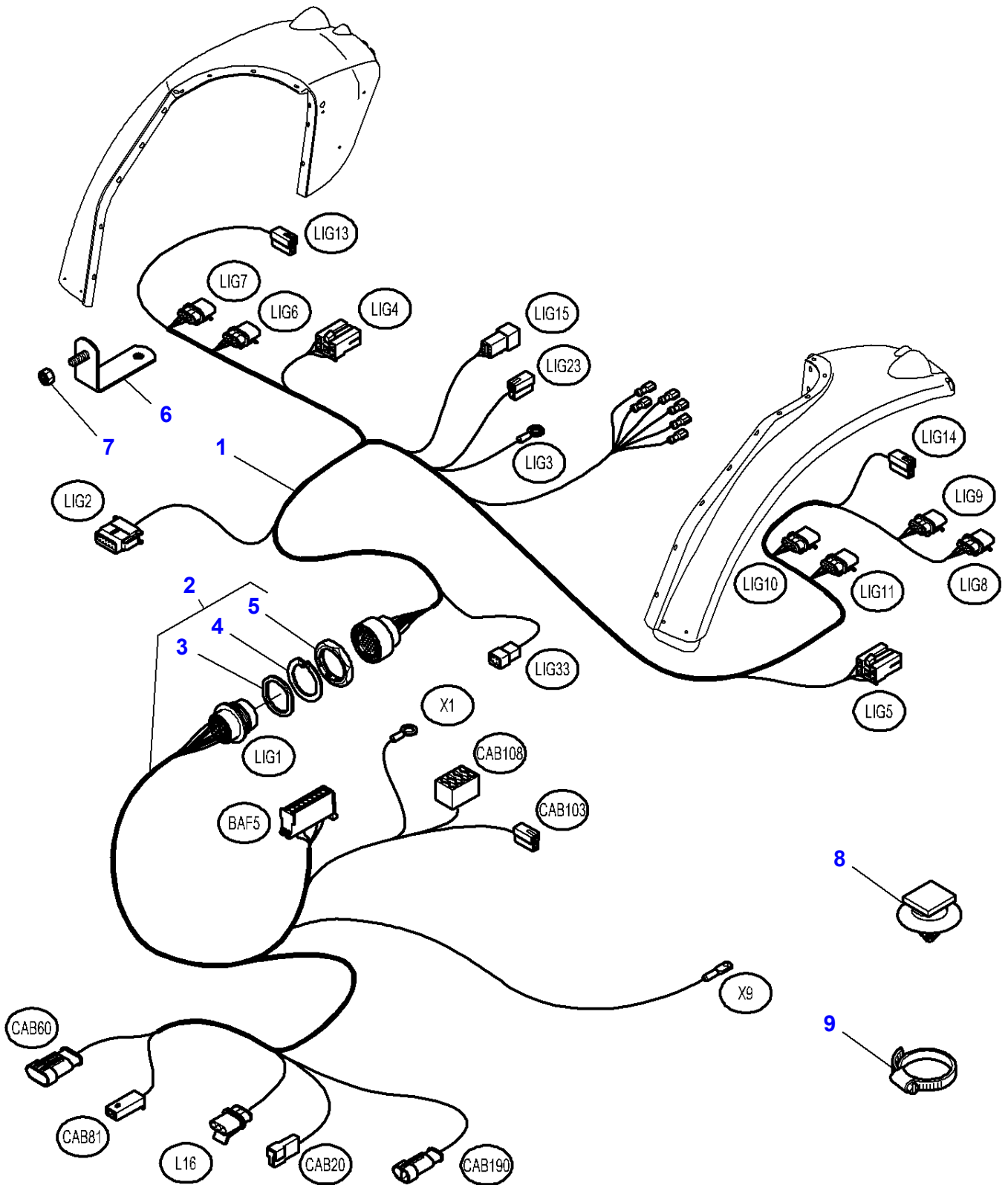


Massey Ferguson**MF 8470/8480 TRACTOR (TIER 3) - 3906071****3906071****Front Lightning Harness****Page080-0070**

Item	Part Number	Qty	Description	Comments
1	4278401M92	1	Harness	
2	4278314M1	10	Clamp	167MM
3	4282000M1	2	Strap	
4	4281999M1	2	Strap	

MF 8470/8480 TRACTOR (TIER 3) - 3906071
1-WW43-007-D

1-WW43-007-D



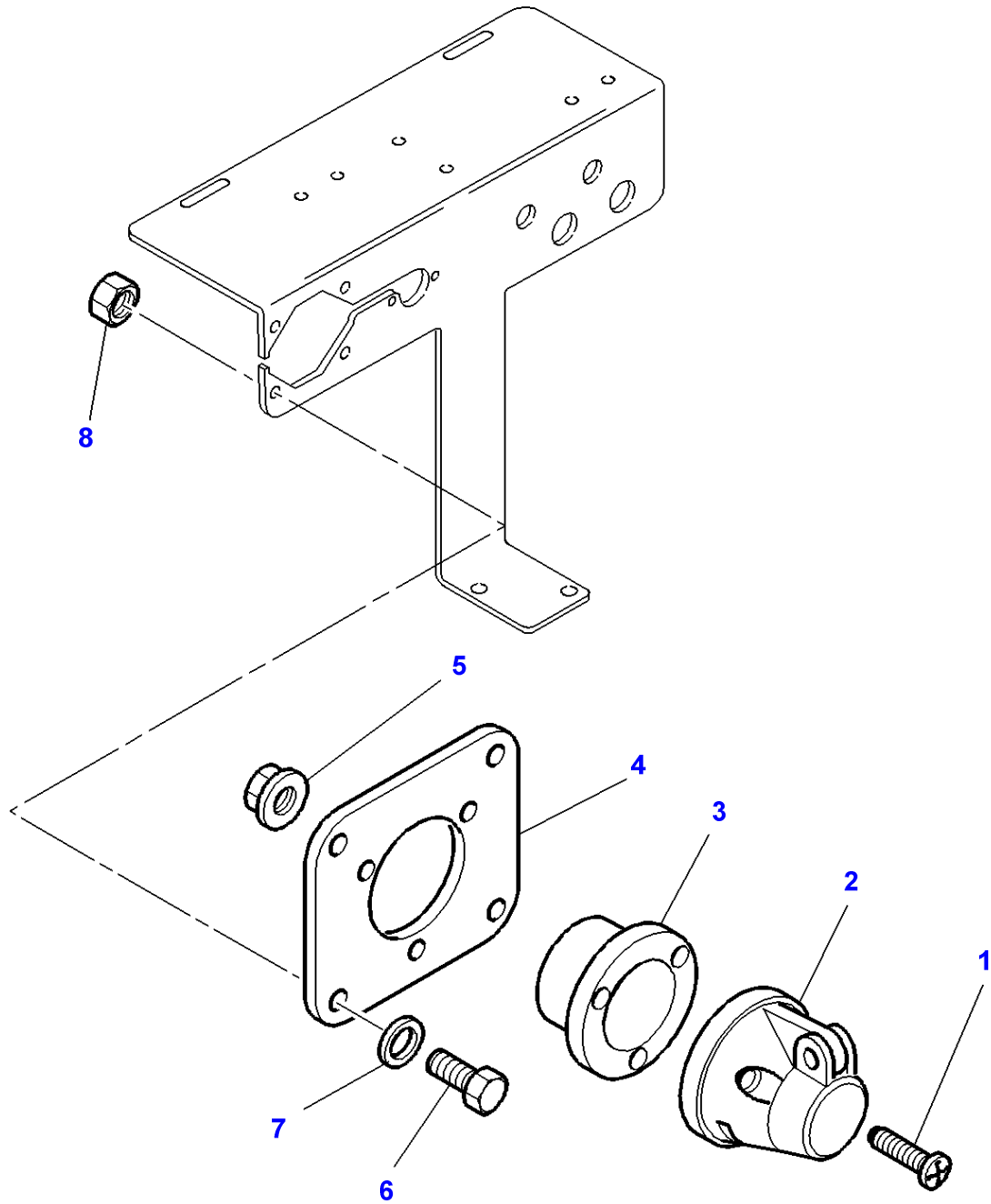
Massey Ferguson**MF 8470/8480 TRACTOR (TIER 3) - 3906071****3906071****Page080-0075****Rear Lightning Harness**

Item	Part Number	Qty	Description	Comments
1	3787528M96	1	Harness	
2	4276770M94	1	Harness	
3	3013355X1	1	Seal	(2)
4	3013354X1	1	Washer	(2)
5	3013353X1	1	Nut	(2)
6	4291316M1	1	Support	S085051
7	339030X1	1	Nut	M6 S085051
8	4281082M1	1	Centraliser	
9	3619622M1	1	Cable Tie	

Massey Ferguson**MF 8470/8480 TRACTOR (TIER 3) - 3906071****3906071****Page080-0080****Rear Lightning Harness**

Item	Part Number	Qty	Description	Comments
1	4278756M3	1	Harness	
2	4278975M92	1	Harness	
3	3013355X1	1	Seal	(2)
4	3013354X1	1	Washer	(2)
5	3013353X1	1	Nut	(2)
6	4291316M1	1	Support	S085051
7	339030X1	1	Nut	M6 S085051
8	4281082M1	1	Centraliser	
9	3619622M1	1	Cable Tie	

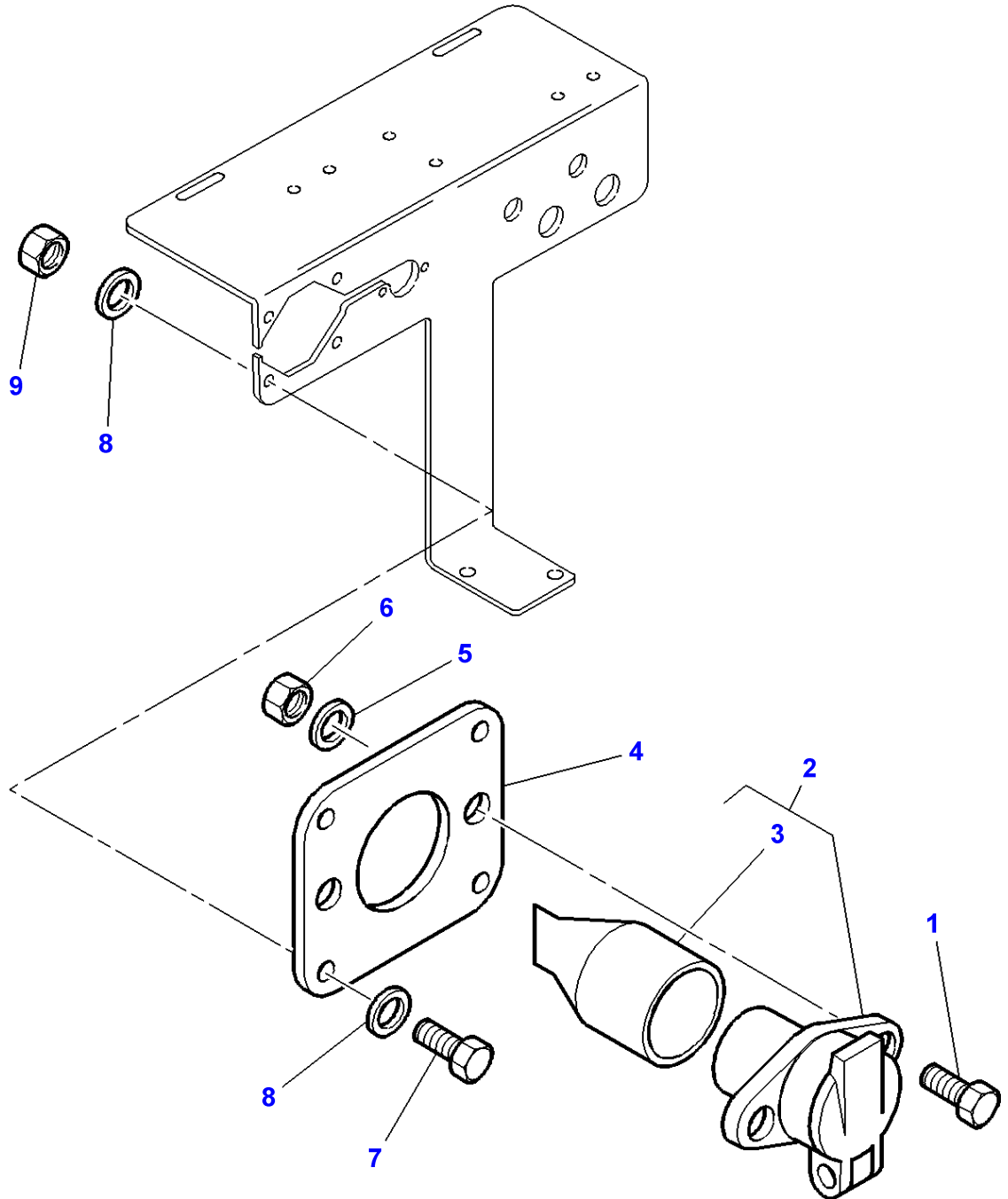
1-WW39-008-A



Massey Ferguson**MF 8470/8480 TRACTOR (TIER 3) - 3906071****3906071****Trailer Electric Socket****Page080-0085**

Item	Part Number	Qty	Description	Comments
1	3009538X1	3	Screw	M5 X 35
2	409965M1	1	Socket 7 Pin Sup	
3	3041656M2	1	Plate	
4	3785913M1	1	Support	
5	3010477X1	3	Nut Metric	M5
6	339560X1	4	Bolt	M6 X 16
7	339375X1	4	Spring Washer	
8	339030X1	4	Nut	M6

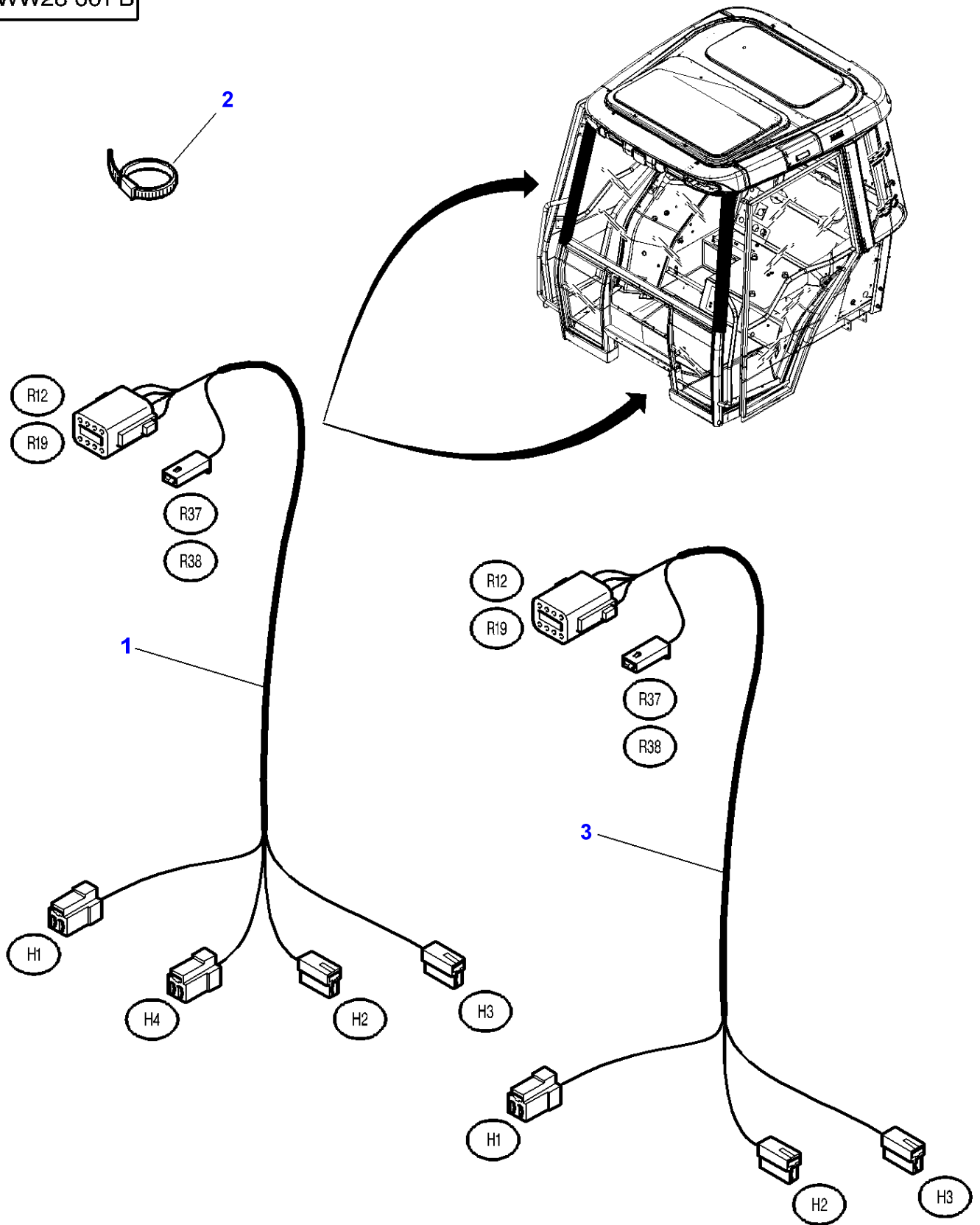
1-WW39-009-A



Massey Ferguson**MF 8470/8480 TRACTOR (TIER 3) - 3906071****3906071****Trailer Electric Socket****Page080-0090**

Item	Part Number	Qty	Description	Comments
1	339123X1	2	Bolt	M8 X 20
2	3715923M91	1	Intake	
3	3715925M1	1	Helmet	(2)
4	3785914M1	1	Support	
5	339374X1	2	Spring Washer	
6	339169X1	2	Nut	M8
7	339560X1	4	Bolt	M6 X 16
8	339375X1	4	Spring Washer	
9	339030X1	4	Nut	M6

1-WW28-001-B



Massey Ferguson

MF 8470/8480 TRACTOR (TIER 3) - 3906071

3906071

Field Lights Harness - Handold

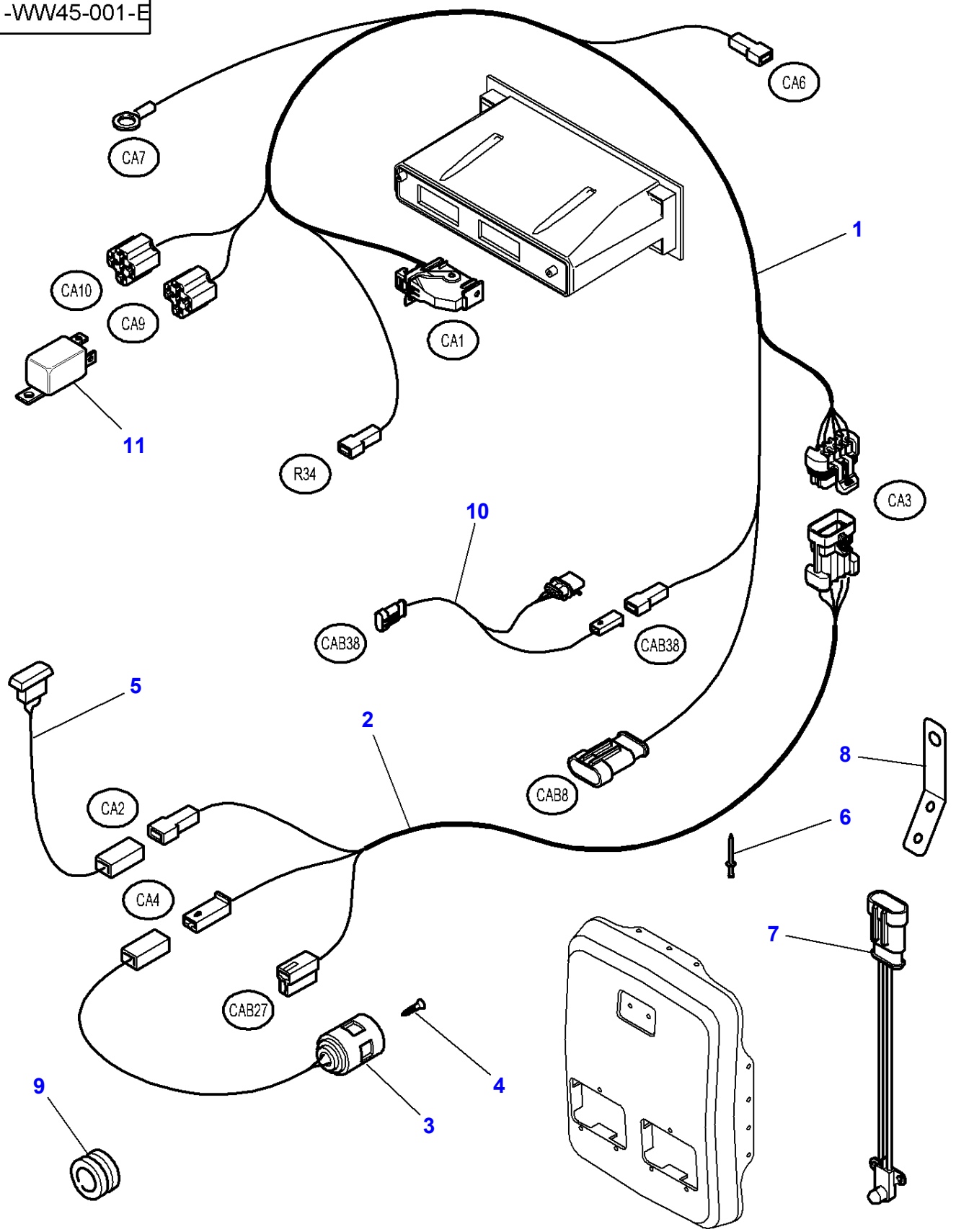
Page080-0095

Item	Part Number	Qty	Description	Comments
1	3787512M91	2	Harness	[A]
2	3619622M1	X	Cable Tie	
3	4273146M1	2	Harness	

FOOTNOTE [A] USED WITH WAY LIGHTS FITTED ON THE GUIDEWAY

MF 8470/8480 TRACTOR (TIER 3) - 3906071
1-WW45-001-E

1-WW45-001-E



Item	Part Number	Qty	Description	Comments
1	4272347M2	1	Harness	
2	4272151M3	1	Harness	
3	3787192M1	1	Temp. Sensor	[A]
4	3787143M1	2	Screw	
5	3787185M1	1	Transducer	[C]
6	338662X1	2	Rivet	2,40 mm
7	3787184M1	1	Temp. Sensor	[B]
8	4272846M1	1	Support	
9	3783677M1	1	Grommet	7-21
10	4279691M1	1	Harness	
11	3615652M1	2	Relay	12V - 25 Amp

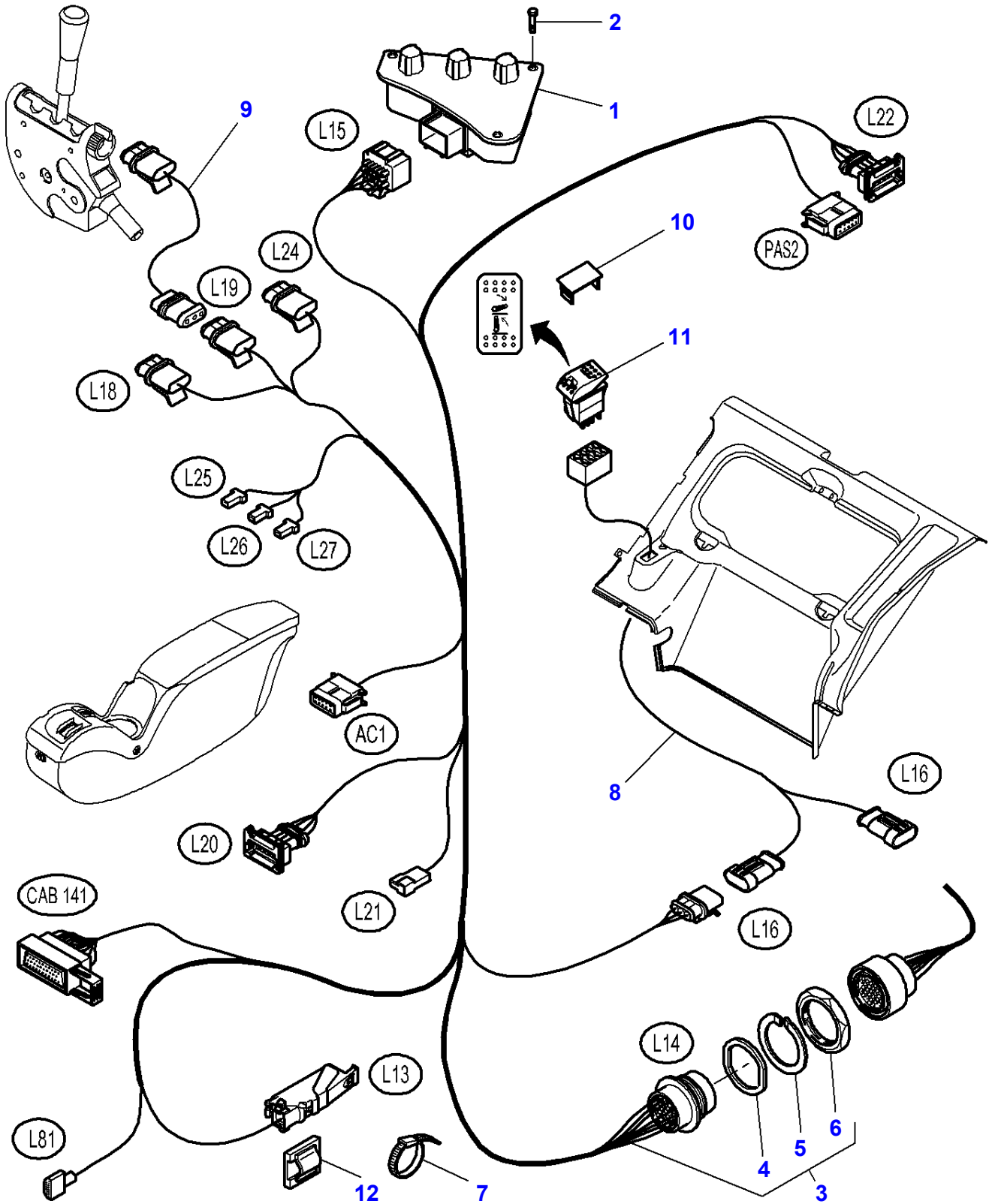
FOOTNOTE [A] INSIDE TEMPERATURE SENSOR

FOOTNOTE [B] OUTSIDE TEMPERATURE SENSOR

FOOTNOTE [C] SOLAR SENSOR

MF 8470/8480 TRACTOR (TIER 3) - 3906071
1-WP33-028-B

1-WP33-028-B

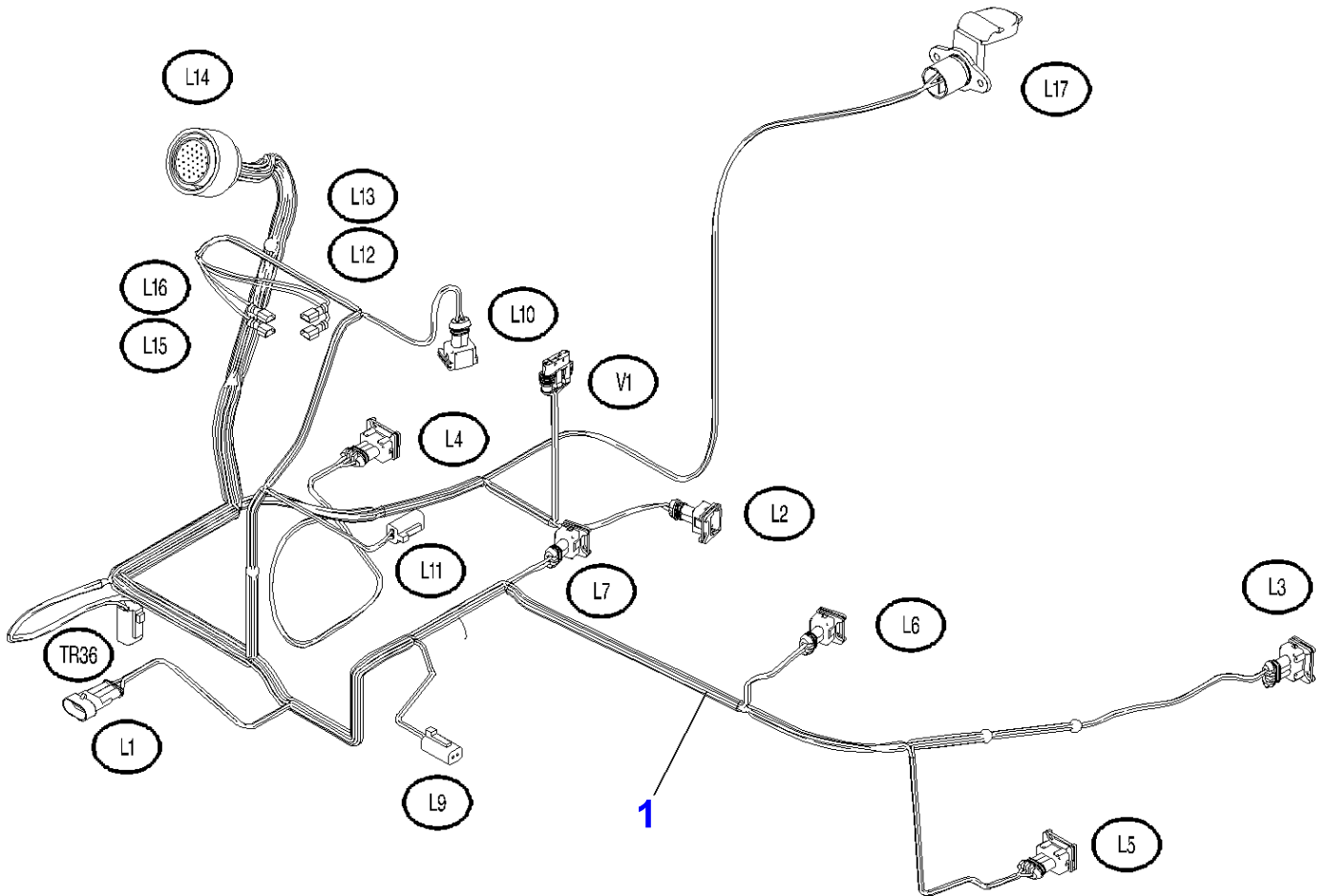


Massey Ferguson**MF 8470/8480 TRACTOR (TIER 3) - 3906071****3906071****Electronic Lift - Main Harness****Page 090-0005**

Item	Part Number	Qty	Description	Comments
1	4278661M93	1	Electron Console	[B] 090-0035/1
	4278662M93	1	Electron Console	[A] 090-0040/1
2	3010506X1	4	Screw	M5 X 16
	3010804X1	4	Screw	M4 X 16
3	4280994M2	1	Harness	
4	3013355X1	1	Seal	(3)
5	3013354X1	1	Washer	(3)
6	3013353X1	1	Nut	(3)
7	3619622M1	X	Cable Tie	
8	3787437M1	1	Harness	
9	4279872M1	1	Harness	150 MM
10	4290432M1	1	Shutter	3713151M1
11	4290447M1	1	Switch, Indirect	4271356M2
12	3582094M1	2	Tie	

FOOTNOTE [A] WITHOUT RADAR**FOOTNOTE [B] WITH RADAR**

1-WP33-016-A



Massey Ferguson

MF 8470/8480 TRACTOR (TIER 3) - 3906071

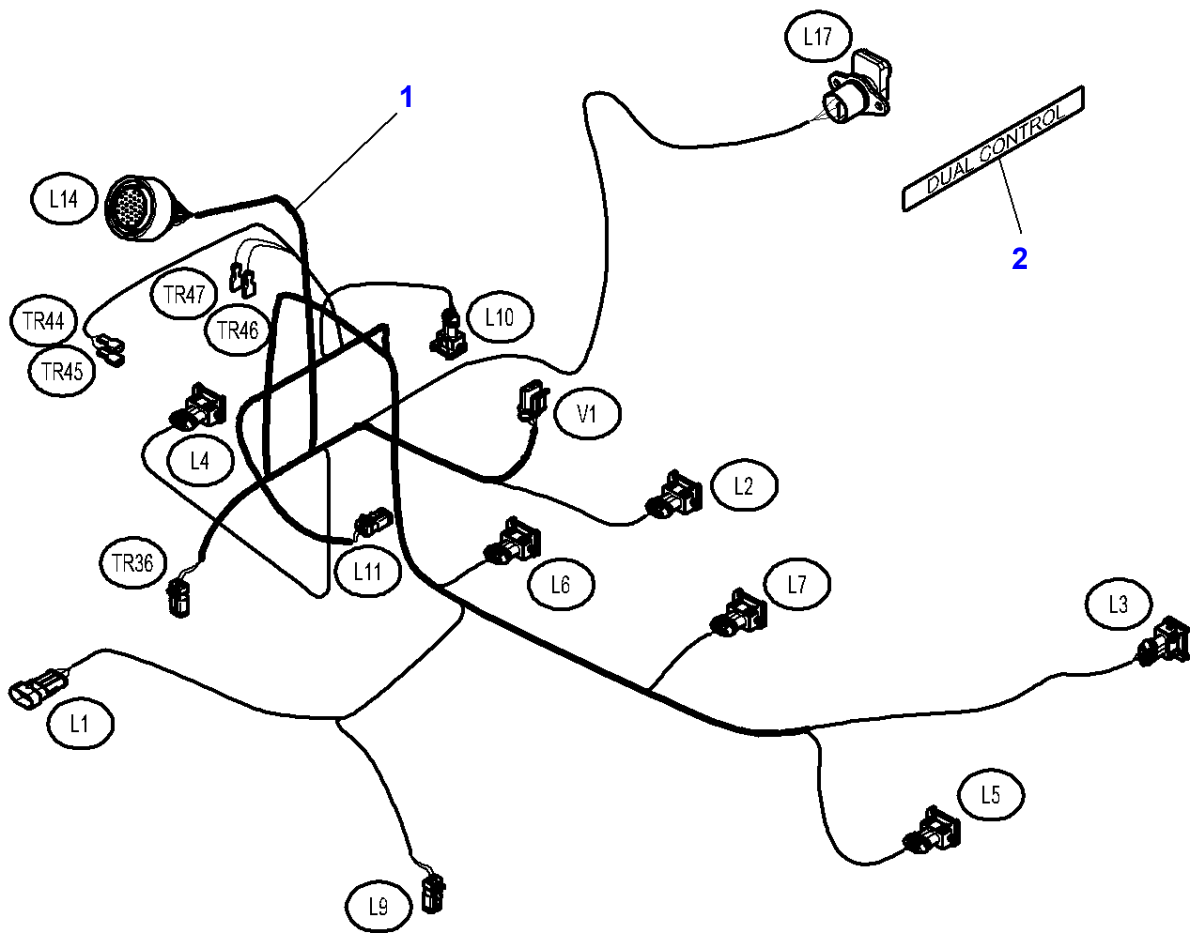
3906071

Electronic Lift - Main Harness - With Dual Control - Up To R298036

Page090-0010

Item	Part Number	Qty	Description
1	4277437M95	1	Harness

1-WP33-038-B



Massey Ferguson

MF 8470/8480 TRACTOR (TIER 3) - 3906071

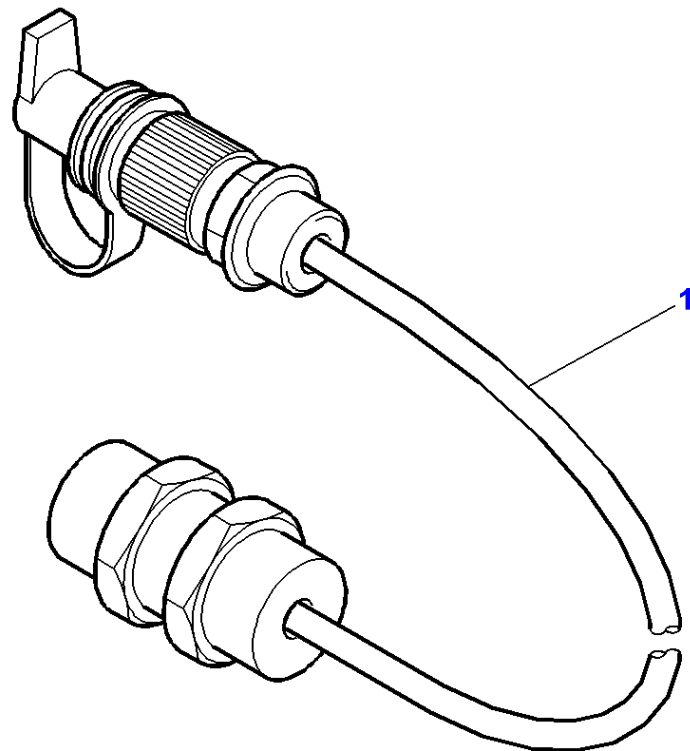
3906071

Electronic Lift - Main Harness - With Dual Control - From R298037

Page090-0015

Item	Part Number	Qty	Description
1	4287063M1	1	Harness
2	3783975M1	1	Decal

1-WF85-001-A



Massey Ferguson

MF 8470/8480 TRACTOR (TIER 3) - 3906071

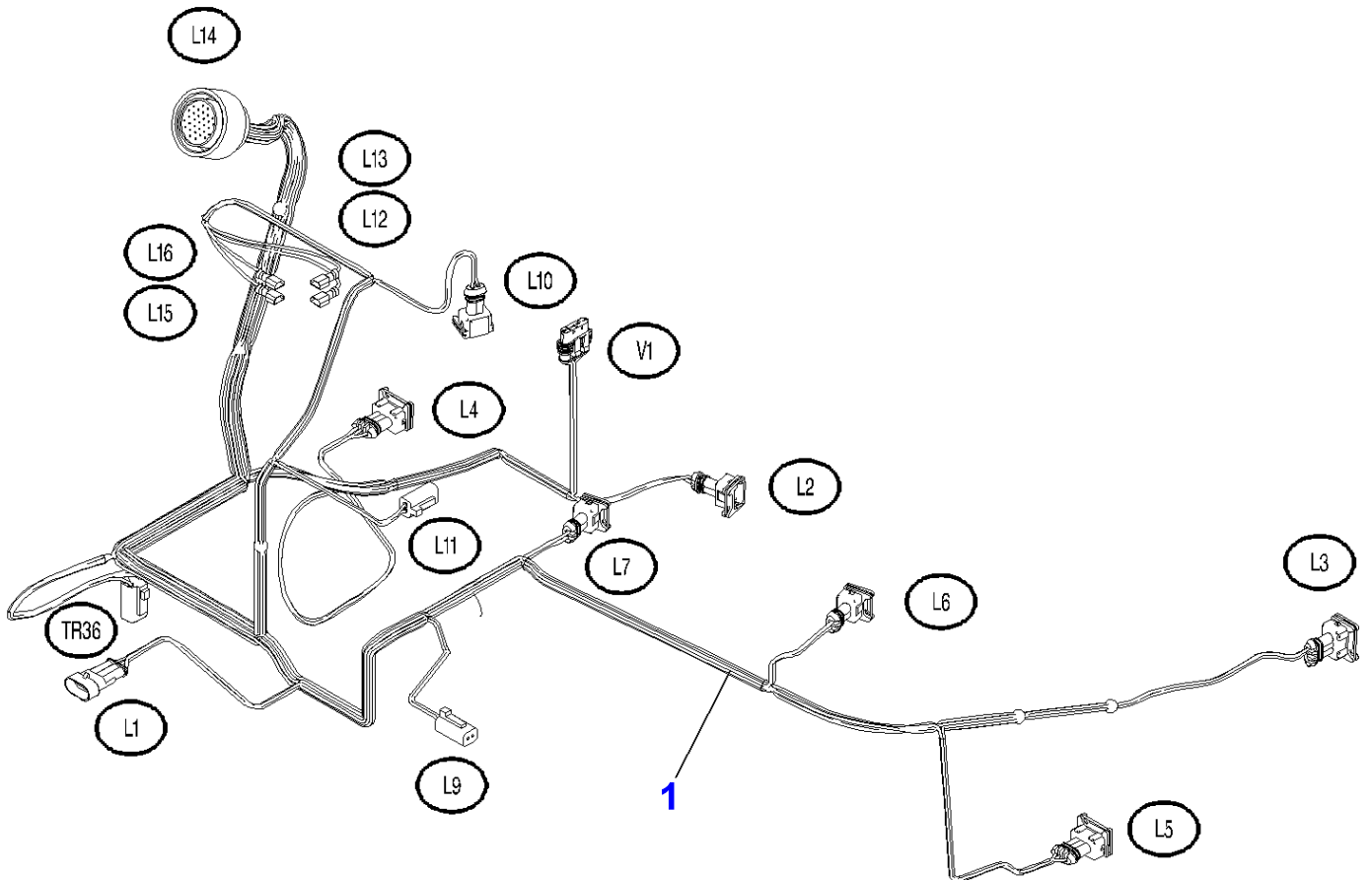
3906071

SENSOR HARNESS DUAL CONTROL

Page 090-0020

Item	Part Number	Qty	Description
1	3784995M92	1	Harness

1-WP33-015-A



Massey Ferguson

MF 8470/8480 TRACTOR (TIER 3) - 3906071

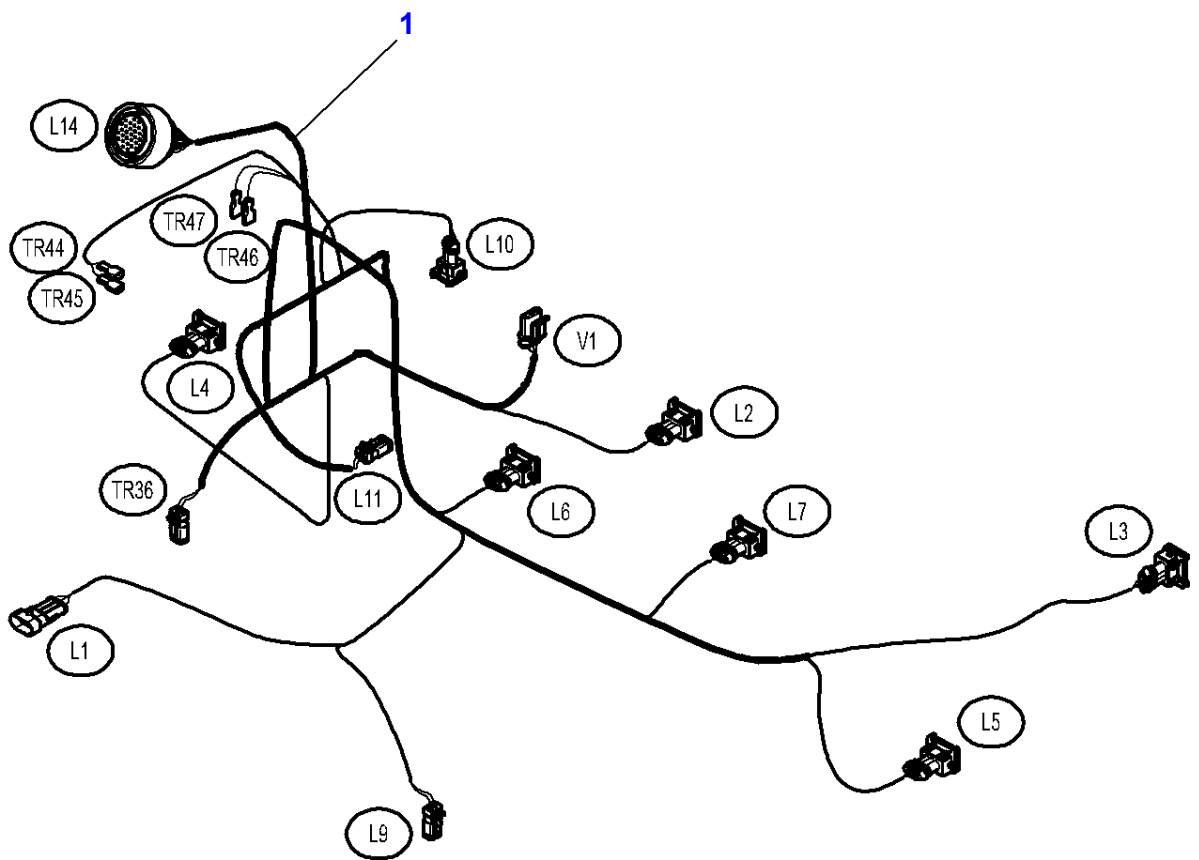
3906071

Electronic Lift - Main Harness - Without Dual Control - Up To R298036

Page 090-0025

Item	Part Number	Qty	Description
1	4278176M95	1	Harness

1-WP33-039-A



Massey Ferguson

MF 8470/8480 TRACTOR (TIER 3) - 3906071

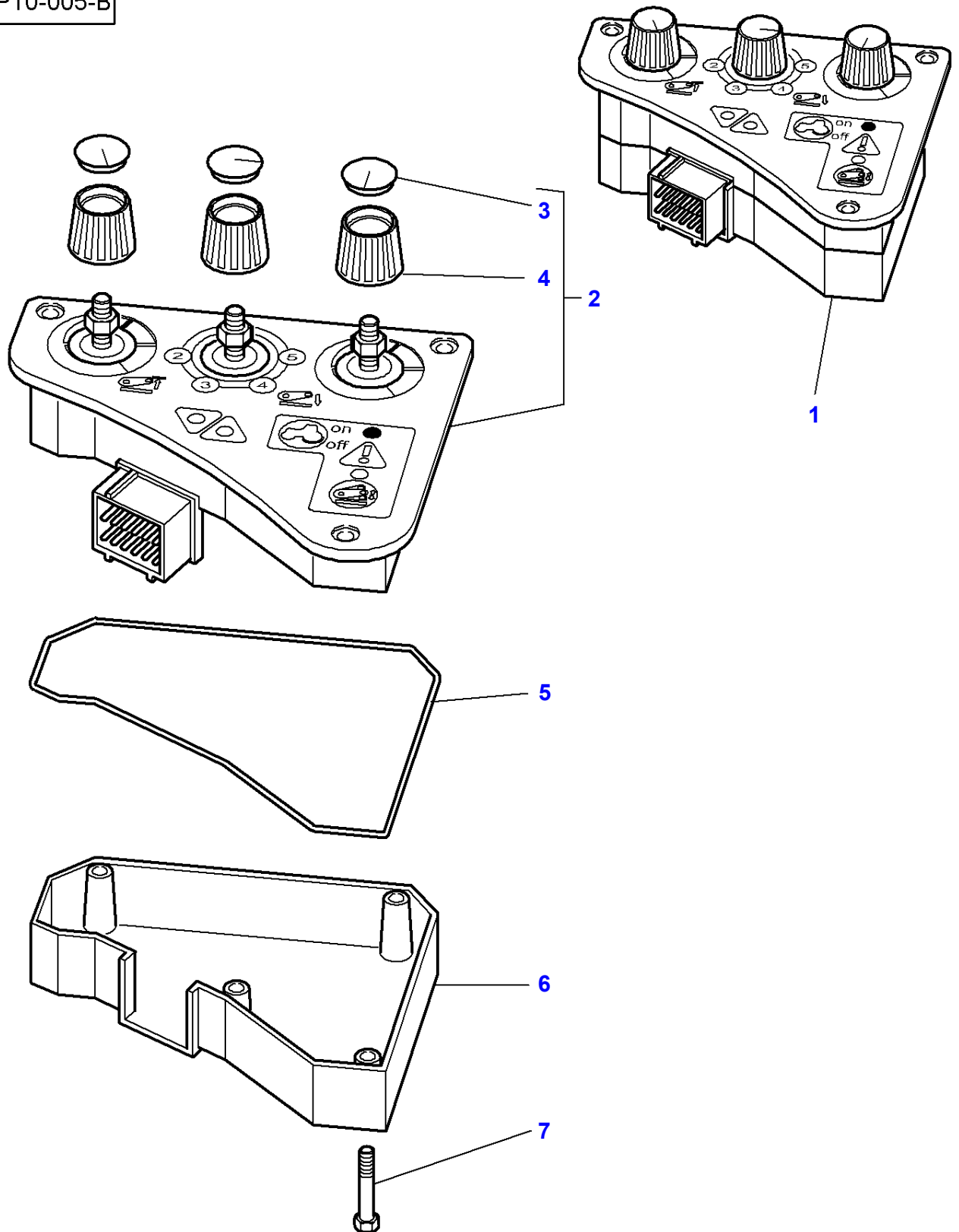
3906071

Electronic Lift - Main Harness - Without Dual Control - From R298037

Page090-0030

Item	Part Number	Qty	Description
1	4287064M1	1	Harness

1-WP10-005-B

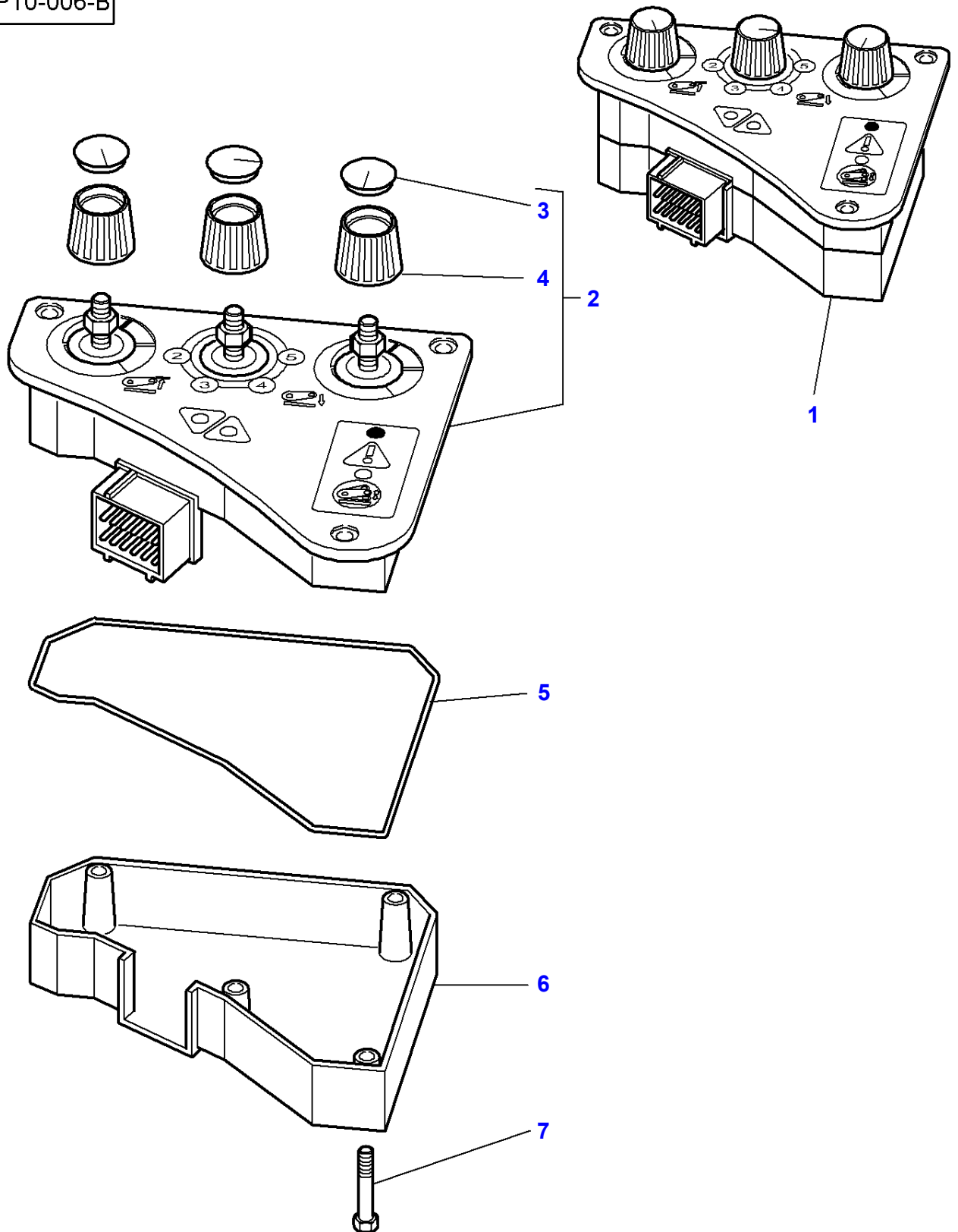


Massey Ferguson**MF 8470/8480 TRACTOR (TIER 3) - 3906071****3906071****Electronic Lift - Console - Without Radar****Page090-0035**

Item	Part Number	Qty	Description	Comments
1	4278661M93	1	Electron Console	
2		1	Case Assy	(1) REF. 1
3	3902440M1	3	Helmet	(2)
4	3903452M1	3	Button	(2) R258041
	3907831M1	3	Button	(2) R258042
5	3907250M1	1	Seal	(1)
6		1	Case Assy	(1) REF. 1
7		4	Screw	[A] (1)

FOOTNOTE [A] NOT DETAILED

1-WP10-006-B

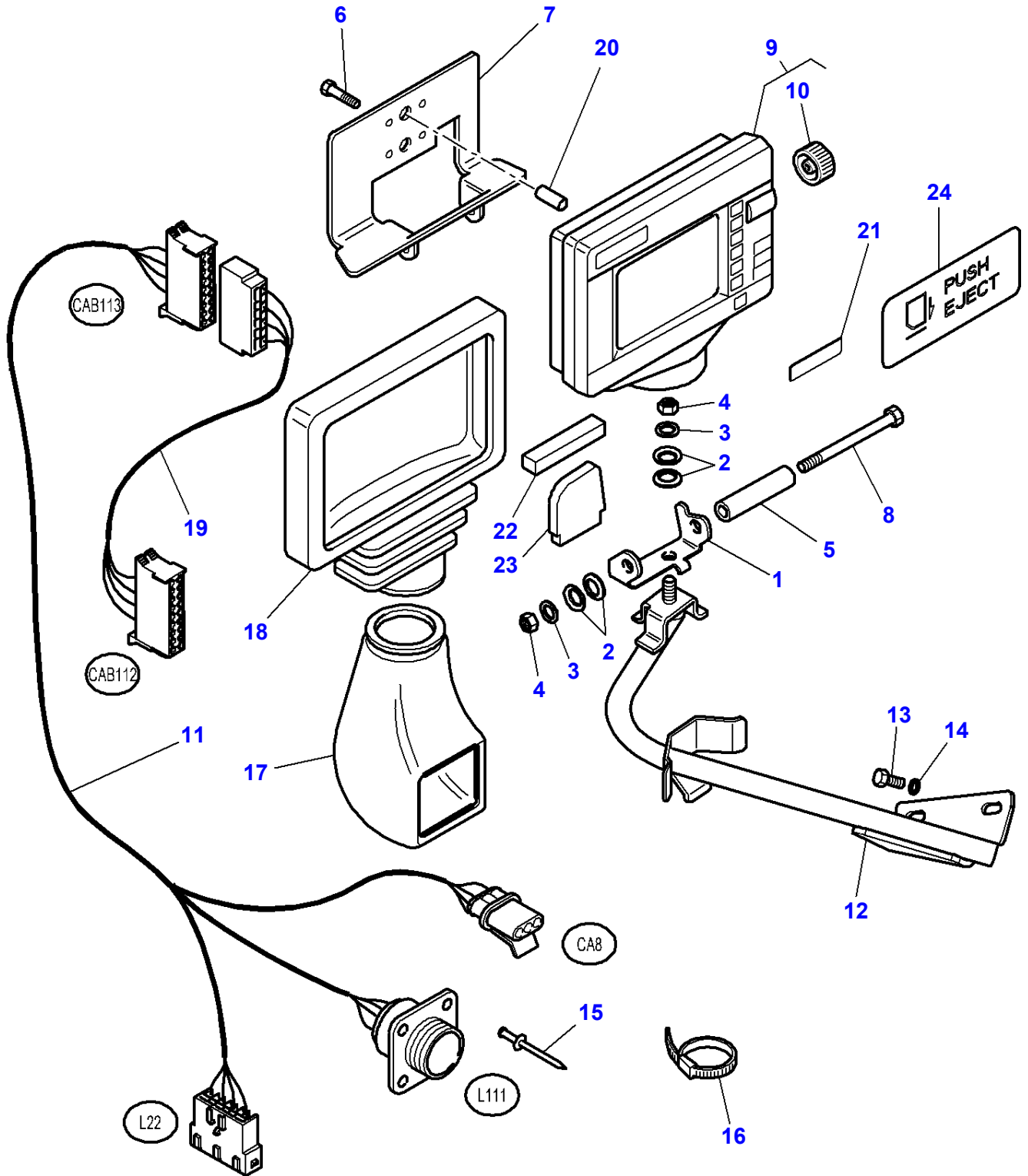


Massey Ferguson**MF 8470/8480 TRACTOR (TIER 3) - 3906071****3906071****Electronic Lift - Console - With Radar****Page090-0040**

Item	Part Number	Qty	Description	Comments
1	4278662M93	1	Electron Console	
2		1	Case Assy	(1) REF. 1
3	3902440M1	3	Helmet	(2)
4	3903452M1	3	Button	(2) R258051
	3907831M1	3	Button	(2) R258052
5	3907250M1	1	Seal	(1)
6		1	Case Assy	(1) REF. 1
7		4	Screw	[A] (1)

FOOTNOTE [A] NOT DETAILED

1-WU31-003-E



ABOARD COMPUTER AND PLATE LIGHTING EQUIPEMENT

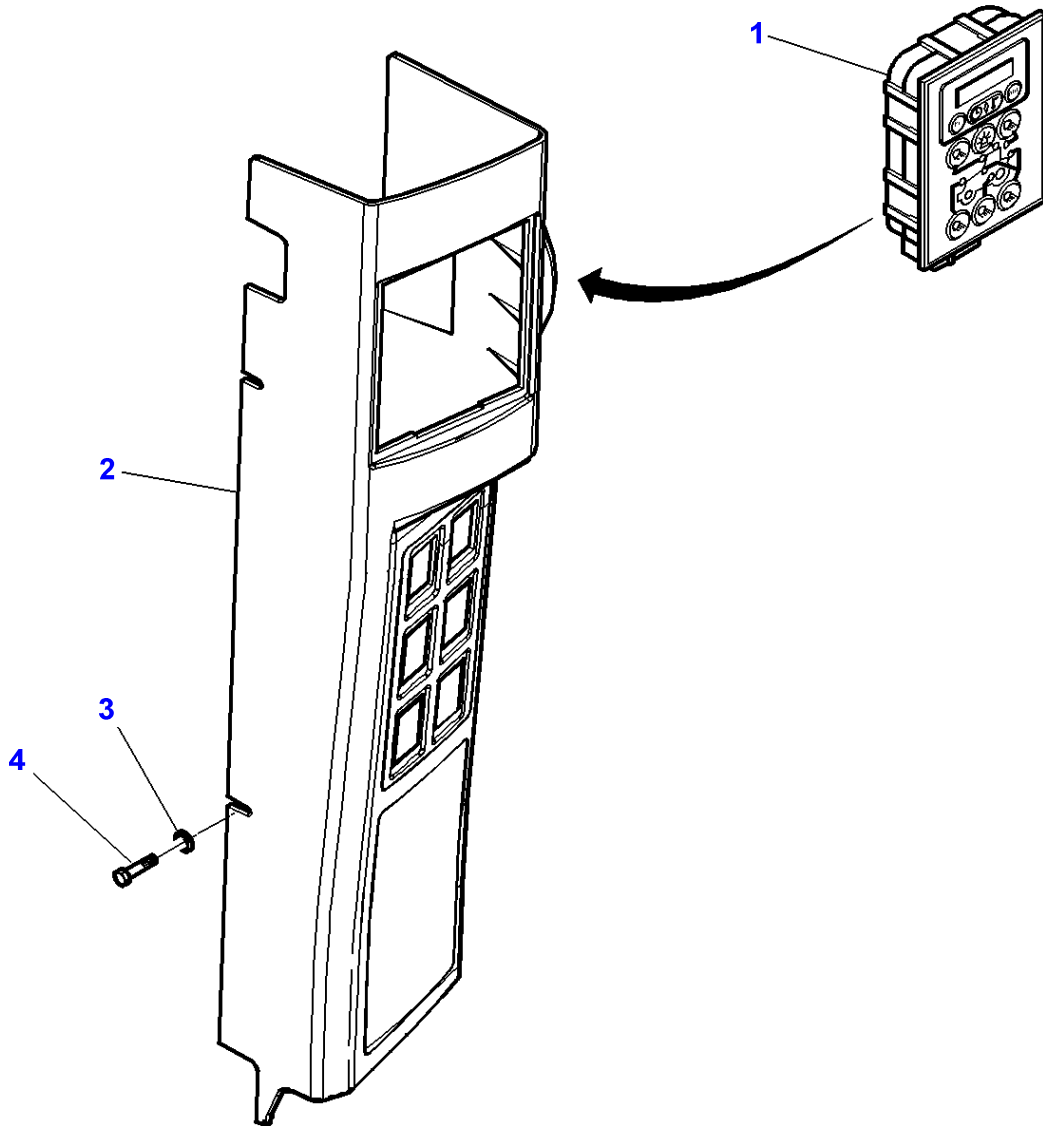
Item	Part Number	Qty	Description	Comments
1	4277643M1	1	Support	
2	3386192M1	4	Washer	8-26
3	3010467X1	2	Washer	9-30 X 2
	390972X1	2	Flat Washer	8-17 X 1,7
4	394367X1	2	Locknut	M8
5	3712867M1	1	Spacer	9-12 X 74
6	339721X1	4	Bolt	M5 X 16
7	4277644M1	1	Support	
8	339013X1	1	Hex. Sock. Screw	M8 X 110
9	4277666M92	1	Onboard Computer	[A]
	4292564M92	1	Onboard Computer	[B]
				4277459M98
	4277461M94	1	Onboard Computer	[C]
10	3907557M1	1	Button	(9)
11	4280179M1	1	Harness	
12	4277640M91	1	Tube	
13	339123X1	2	Bolt	M8 X 20
14	390972X1	2	Flat Washer	8-17 X 1,7
15	3011214X1	4	Rivet	
16	3619622M1	10	Cable Tie	
17	4278792M91	1	Bellows	
18	4278789M91	1	Bellows	
19	4277219M94	1	Harness	
20	3011600X1	4	Spacer	7-10,5 mm
21	4277472M1	1	Decal	
22	3778749M1	2	Foam	
23	3778706M1	1	Pad	
24	4295706M1	1	Decal	19-DEC-2007

FOOTNOTE [A] BLACK AND WHITE SCREEN

FOOTNOTE [B] COLOR SCREEN

FOOTNOTE [C] VIDEO COLOR SCREEN AND ENTREE

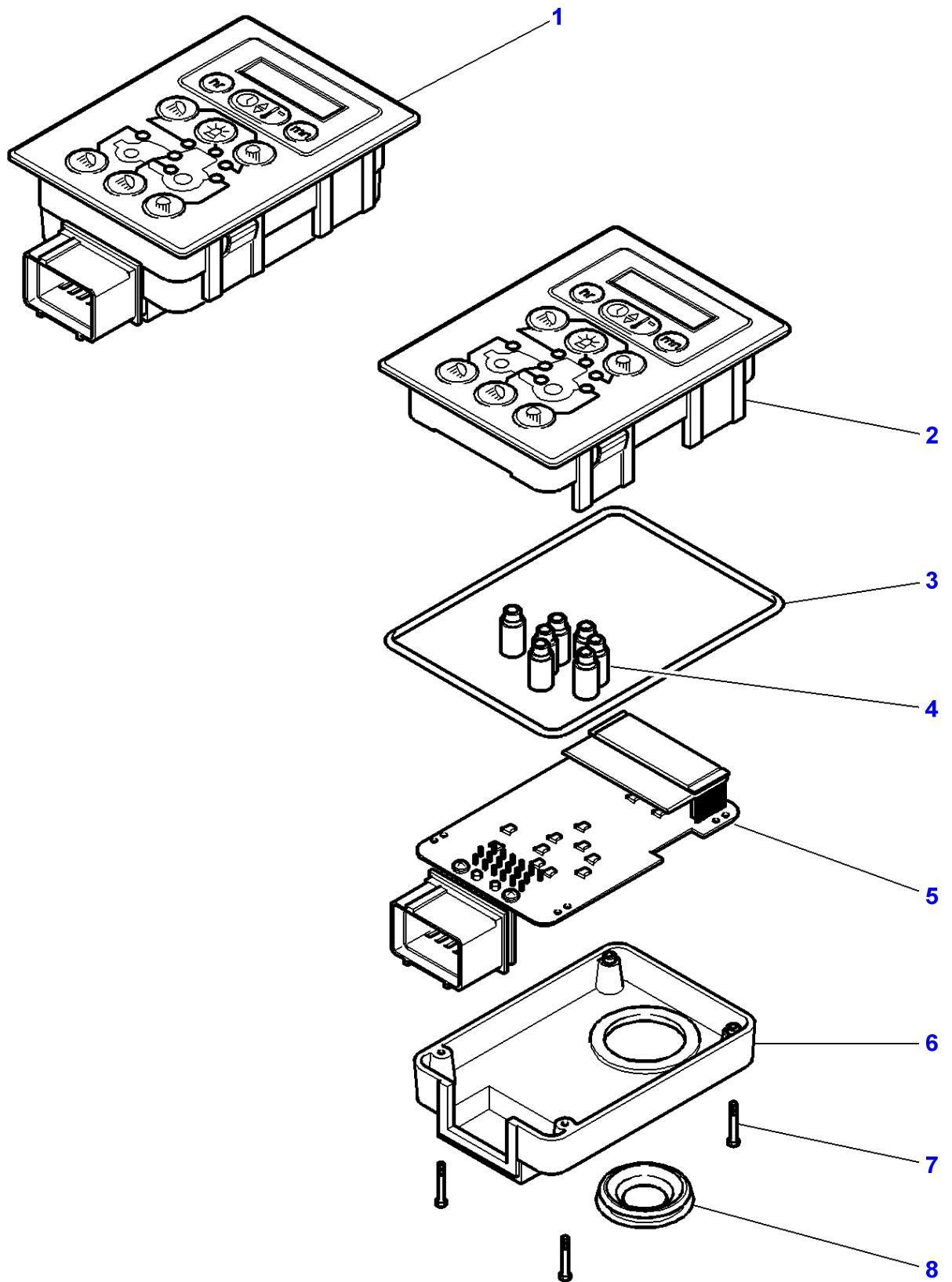
1-WU31-004-A



Massey Ferguson**MF 8470/8480 TRACTOR (TIER 3) - 3906071****3906071****ABOARD COMPUTER AND PLATE LIGHTING EQUIPEMENT****Page 090-0050**

Item	Part Number	Qty	Description	Comments
1	3786382M3	1	Module	090-0055/1 R166075
	4282981M1	1	Module	090-0055/1 R166076
	3786383M3	1	Module	090-0055/1 R185071
	4282980M1	1	Module	090-0055/1 R185072
2		1	Mounting	110-0105/14
3	390469X1	4	Flat Washer	5-10 X 1,5
4	3010578X1	4	Screw	M5 X 10

1-WU31-002-A

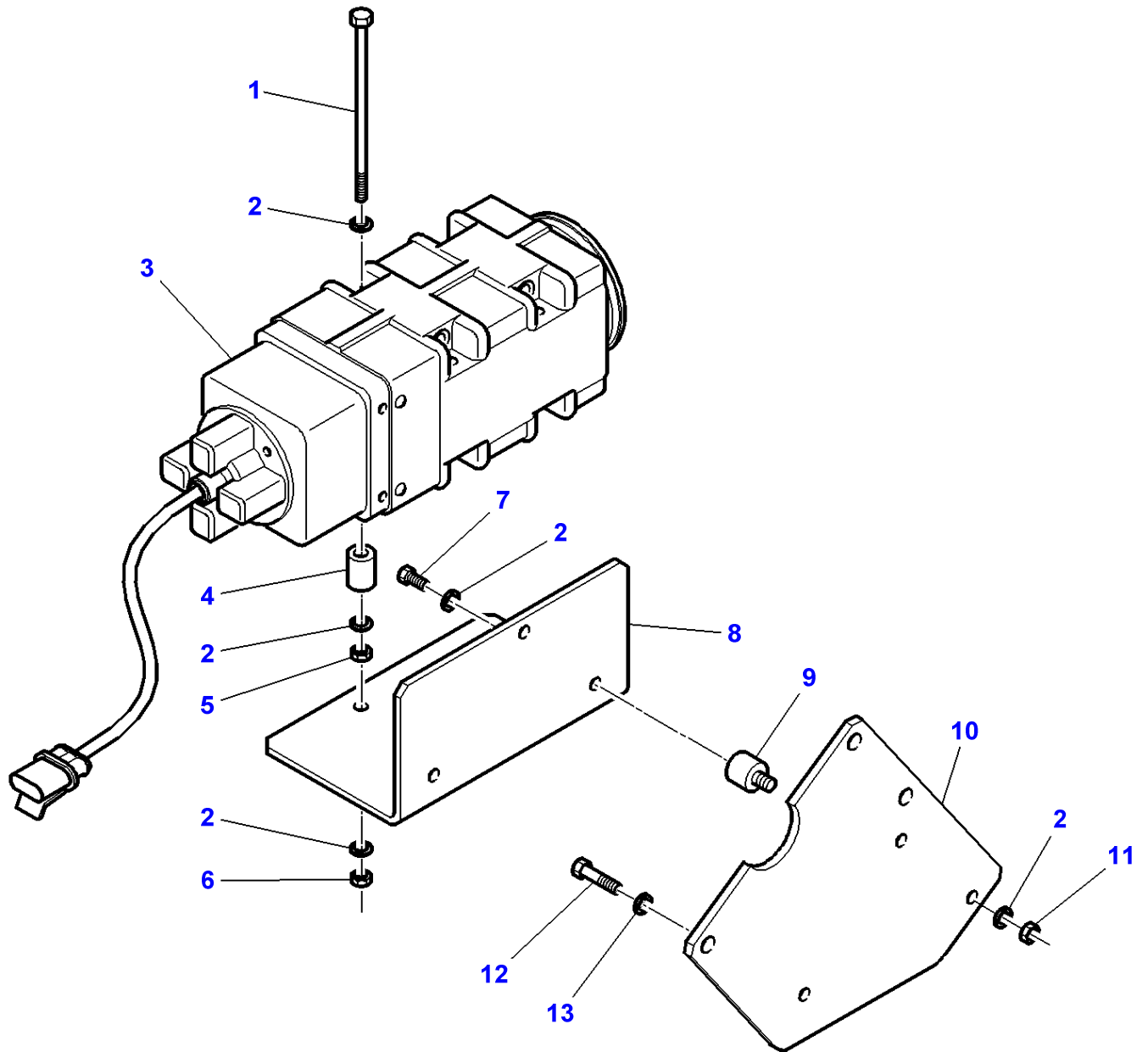


Massey Ferguson**MF 8470/8480 TRACTOR (TIER 3) - 3906071****3906071****ABOARD COMPUTER AND PLATE LIGHTING EQUIPEMENT****Page090-0055**

Item	Part Number	Qty	Description	Comments
1	3786382M3	1	Module	R166075
	4282981M1	1	Module	R166076
	3786383M3	1	Module	R185071
	4282980M1	1	Module	R185072
2	3907252M91	1	Case Assy	(1)
	3907256M91	1	Case Assy	(1)
3	3907253M1	1	Seal	(1)
4		7	Guide	[A] (1) REF. 1
5		1	Printed Circuit	(1) REF. 1
6		1	Case Assy	[A] (1) REF. 1
7		4	Screw	[A] (1) REF. 1
8	3907255M1	1	Helmet	(1)

FOOTNOTE [A] NOT DETAILED

1-WU34-004-A

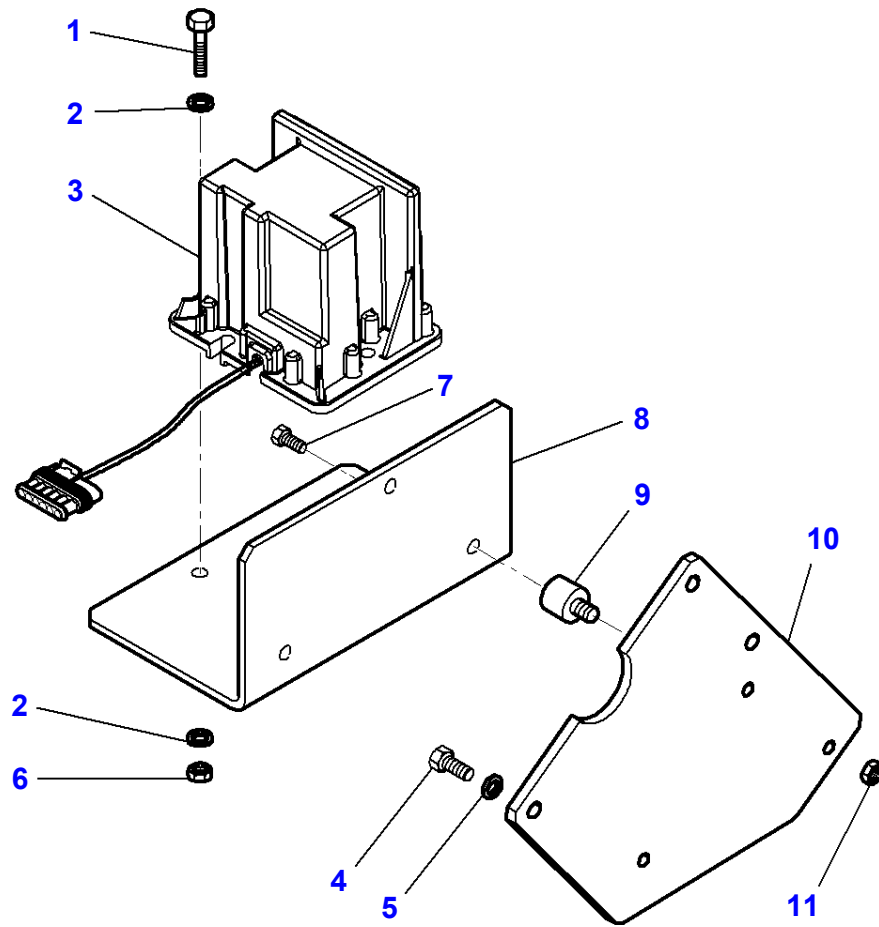


Radar

Item	Part Number	Qty	Description	Comments
1	3019894X1	4	Hex. Sock. Screw	M6 X 100
2	390971X1	12	Flat Washer	6-12 X 1,5
3	3714290M2	1	Speed Detector	[A] GHZ 24.300 R104000 R353006
	3714290M2	1	Speed Detector	[A] GHZ 24.300 S072059
	3714291M2	1	Speed Detector	[A] GHZ 24.125 R093058 R341019
	3714291M2	1	Speed Detector	[A] GHZ 24.125 S051016
4	3582802M1	4	Spacer	8-16 X 22
5	1440207X1	4	Nut Metric	M6
6	339030X1	7	Nut	M6
7	339230X1	3	Hex. Sock. Screw	M6 X 10
8	3781310M1	1	Support	
9	3583548M1	3	Dowel	
10	4277540M2	1	Support	
11	339030X1	3	Nut	M6
12	339123X1	3	Bolt	M8 X 20
13	390972X1	3	Flat Washer	8-17 X 1,7

FOOTNOTE [A] THE APPROPRIATE SAFETY DECALS MUST BE ORDERED AND FITTED TO THIS PART

1-WU34-010-A

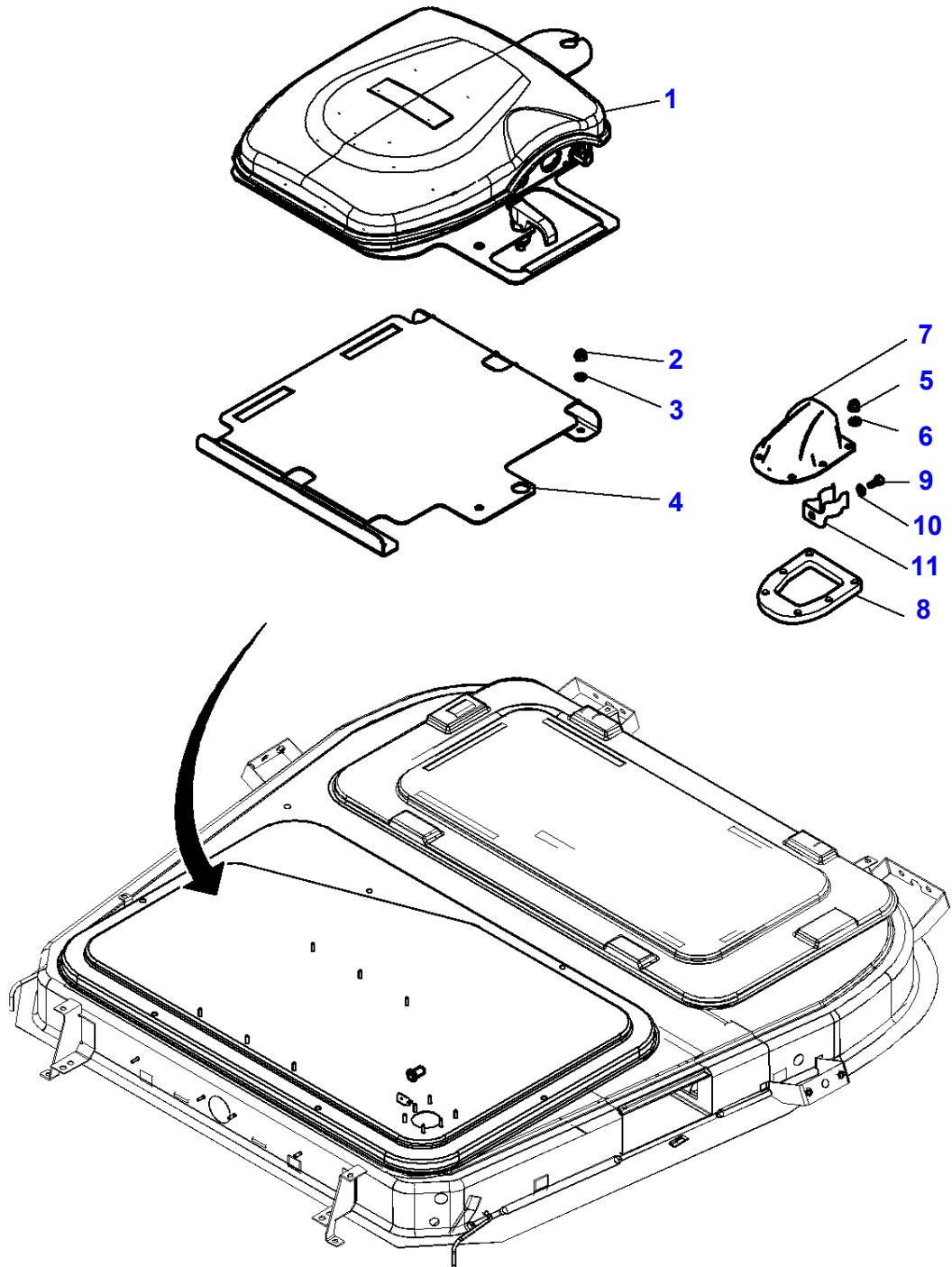


Radar

Item	Part Number	Qty	Description	Comments
1	339804X1	2	Bolt	M6 X 25
2	390971X1	4	Flat Washer	6-12 X 1,5
3	4282090M1	1	Speed Detector	[A] GHZ 24.300 R104001 R353005
	4282090M1	1	Speed Detector	[A] GHZ 24.300 S072060
	4282089M1	1	Speed Detector	[A] GHZ 24.125 R093059 R341018
	4282089M1	1	Speed Detector	[A] GHZ 24.125 S051017
4	339123X1	3	Bolt	M8 X 20
5	390972X1	3	Flat Washer	8-17 X 1,7
6	339030X1	2	Nut	M6
7	339230X1	3	Hex. Sock. Screw	M6 X 10
8	3781310M1	1	Support	
9	3583548M1	3	Dowel	
10	4277540M2	1	Support	
11	339030X1	3	Nut	M6

FOOTNOTE [A] THE APPROPRIATE SAFETY DECALS MUST BE ORDERED AND FITTED TO THIS PART

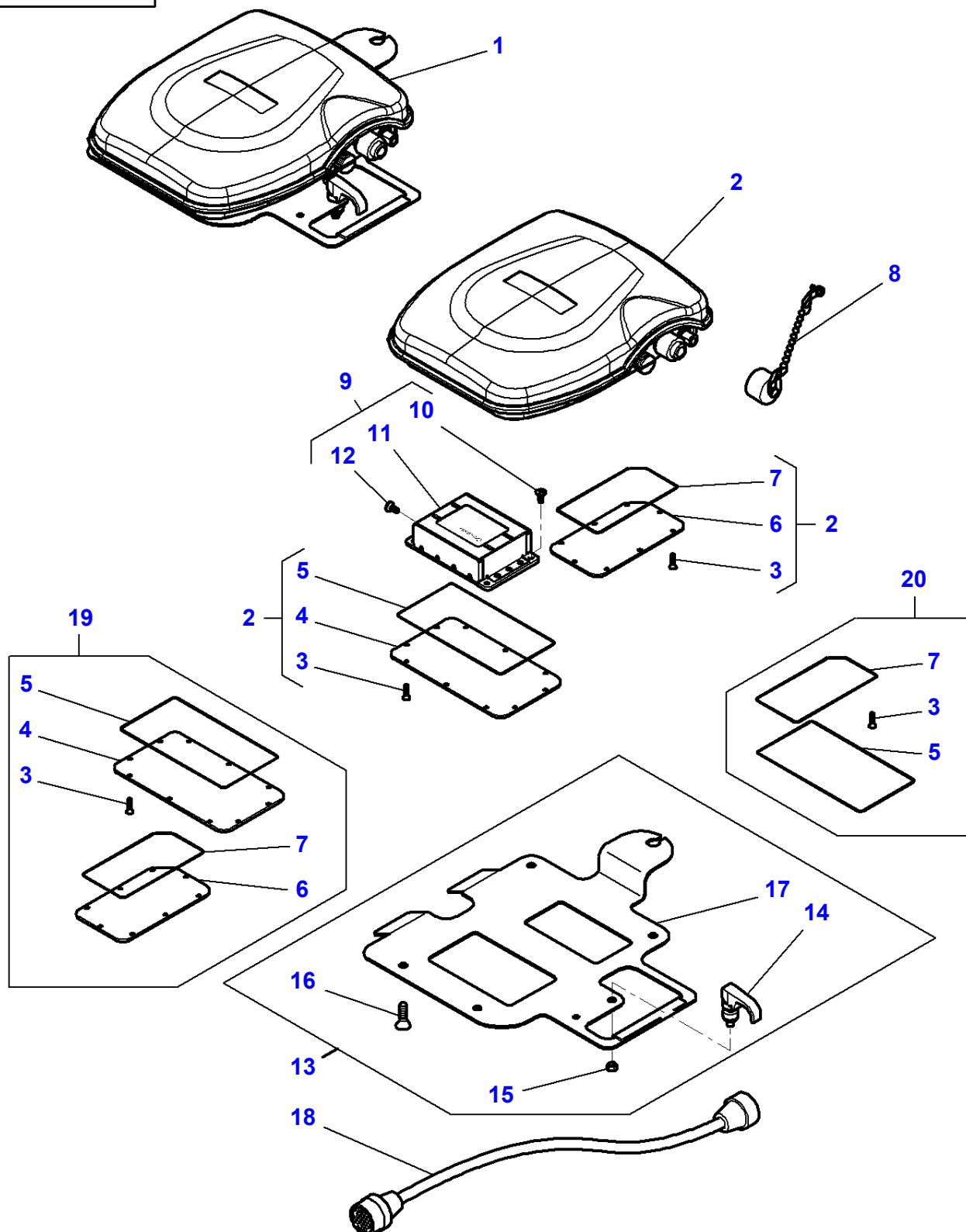
1-WU51-001-A



Auto-Guide

Item	Part Number	Qty	Description
1	72570047	1	Parts Pack
2	1441500X1	6	Top Locknut
3	390972X1	6	Flat Washer
4	4290614M1	1	Support
5	1441500X1	6	Top Locknut
6	390971X1	6	Flat Washer
7	4290326M1	1	Support
8	4290333M1	1	Gasket
9	3011268X1	1	Rivet
10	3001856X1	1	Washer
11	4276502M1	1	Clip

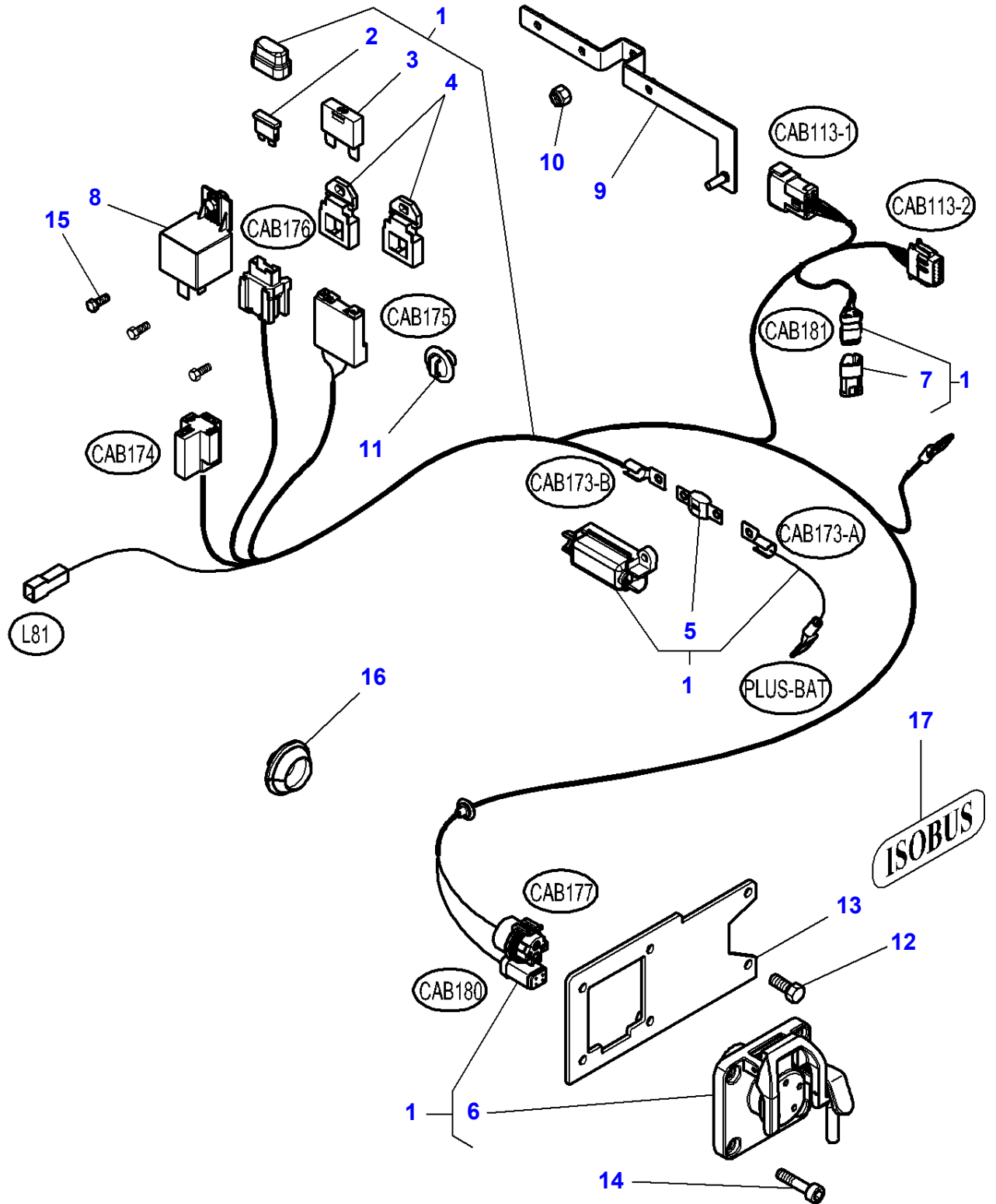
1-WZ18-001-B



Massey Ferguson**MF 8470/8480 TRACTOR (TIER 3) - 3906071****3906071****Page 090-0075****Top Dock**

Item	Part Number	Qty	Description	Comments
1	72570047	1	Parts Pack	
2	72570050	1	Kit	(1)
3	700729652	18	Screw	(2) M3 X 10-2
4	72571173	1	Door	(2)
5	72571161	1	Gasket	(2)
6	72571174	1	Door	(2)
7	72571162	1	Gasket	(2)
8	72571190	1	Kit	
9	72570045	1	Kit	(1)
10	700729653	4	Screw	(9) M5X10-6
11	72571163	1	Case Assy	(9) ref. 9
12	700729656	2	Screw	(9) N _i 4-40X1/4-7
13	72570048	1	Kit	(1)
14	700717130	1	Latch	(13)
15	70933064	1	Nut	(13) 5/16-24
16	3009430X1	4	Screw	(13) M6X16
17	72571168	1	Support	(13)
18	72571158	1	Harness	(1)
19	72570054	1	Kit	
20	72570053	1	Kit	

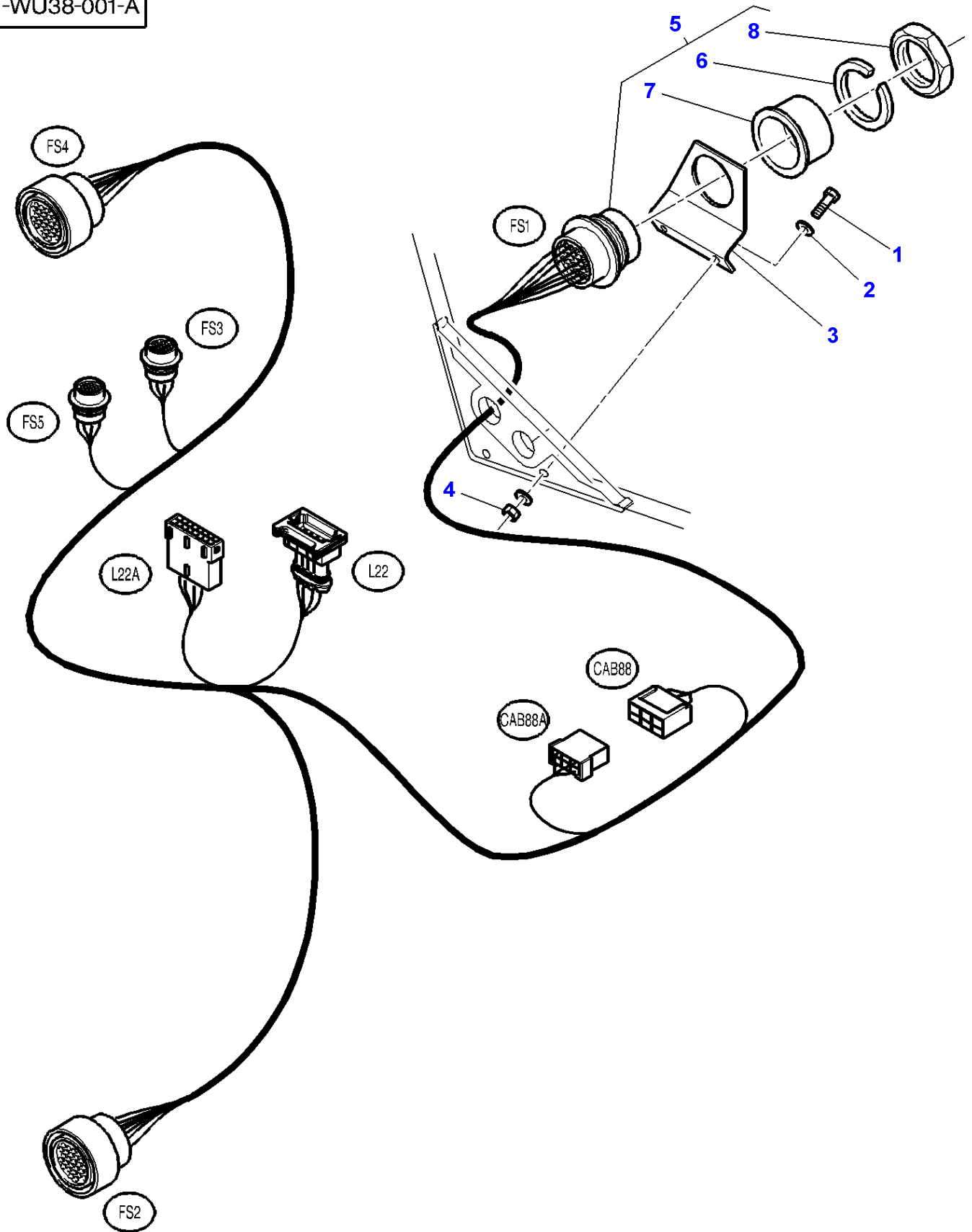
1-WW40-002-B



Massey Ferguson**MF 8470/8480 TRACTOR (TIER 3) - 3906071****3906071****Harness "ISOBUS"****Page 090-0080**

Item	Part Number	Qty	Description	Comments
1	4287357M92	1	Harness	
2	3387320M1	1	Fuse	(1) 10 AMP
3	4271803M1	1	Fuse	(1) 50 AMP
4	3013377X1	2	Fuse Holder	(1)
5	4287356M1	1	Fuse	(1) 60 AMP
6	4287875M1	1	Intake	(1)
7	4284155M1	1	Resistor	(1)
8	4287339M1	1	Relay	
9	4287334M1	1	Support	
10	1441494X1	1	Nut Metric	
11	4278720M1	1	Tie	
12	339804X1	2	Bolt	M6 X 25
13	4288301M1	1	Support	
14	1440350X1	4	Screw Metric	M6 X 20
15	339160X1	3	Hex. Sock. Screw	M5 X 10
16	4277206M1	1	Grommet	R300051
17	4290362M1	1	Decal	S082011

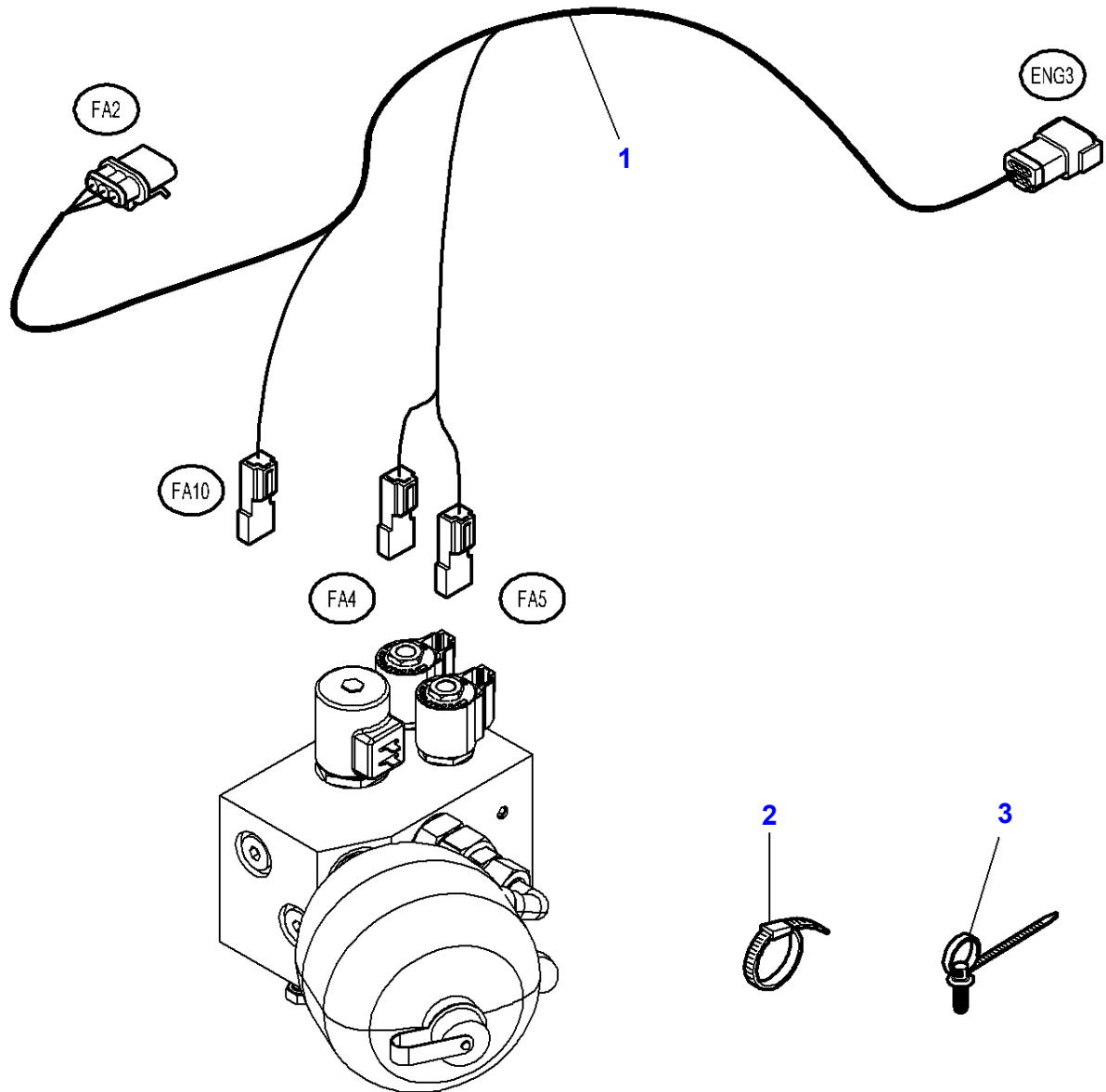
1-WU38-001-A



Massey Ferguson**MF 8470/8480 TRACTOR (TIER 3) - 3906071****3906071****Fieldstar****Page090-0085**

Item	Part Number	Qty	Description	Comments
1	339666X1	2	Bolt	M6 X 20
2	390971X1	4	Flat Washer	6-12 X 1,5
3	4276068M1	1	Support	
4	339030X1	2	Nut	M6
5	4275724M2	1	Harness	
6	3013354X1	1	Washer	(5)
7	3013356X1	1	Plug	(5)
8	3013353X1	1	Nut	(5)

1-WW10-002-A



Massey Ferguson

MF 8470/8480 TRACTOR (TIER 3) - 3906071

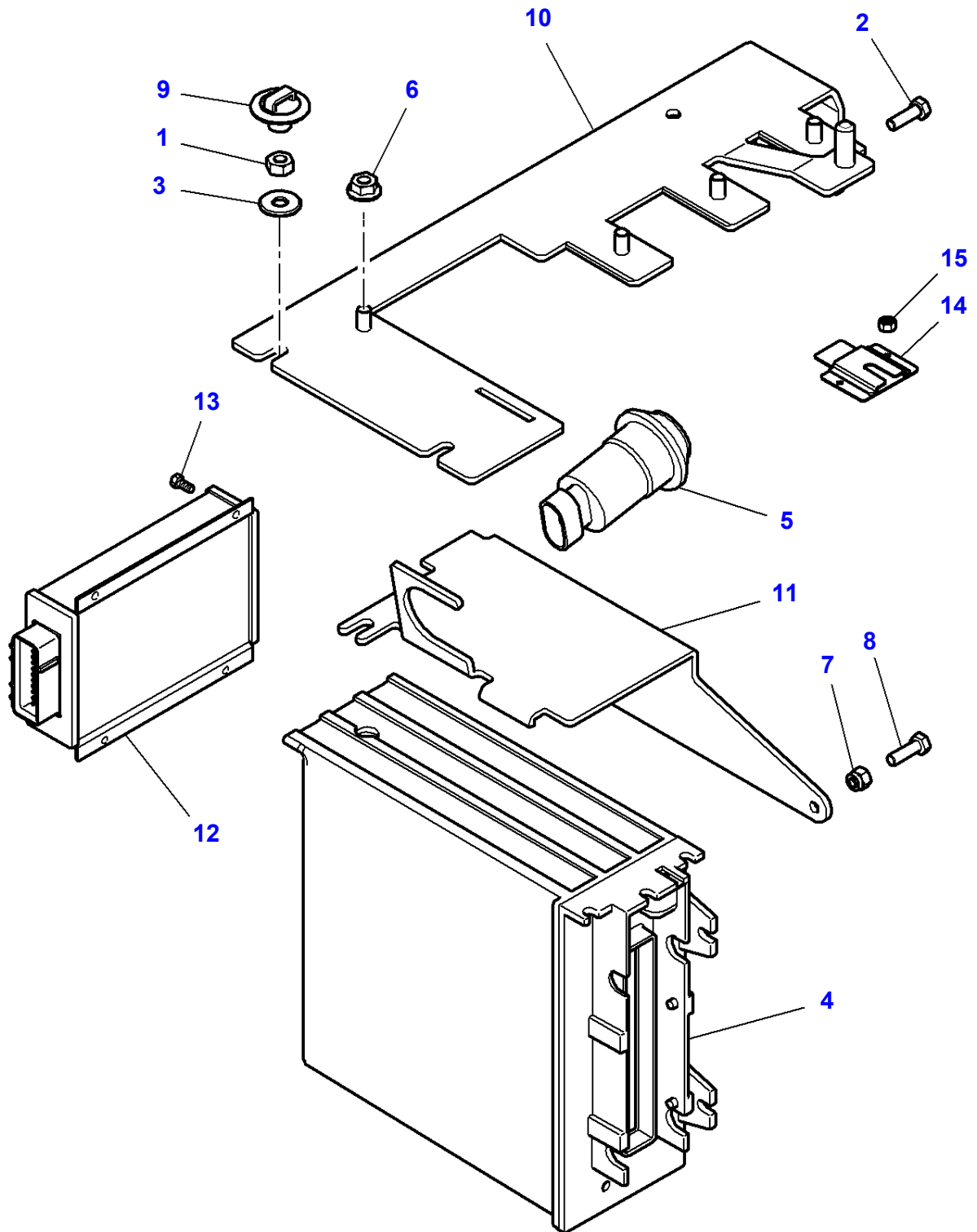
3906071

Front Axle Suspended Harness / Control Box

Page090-0090

Item	Part Number	Qty	Description
1	4281605M1	1	Harness
2	3619622M1	X	Cable Tie
3	4278314M1	X	Clamp

1-WU36-010-A

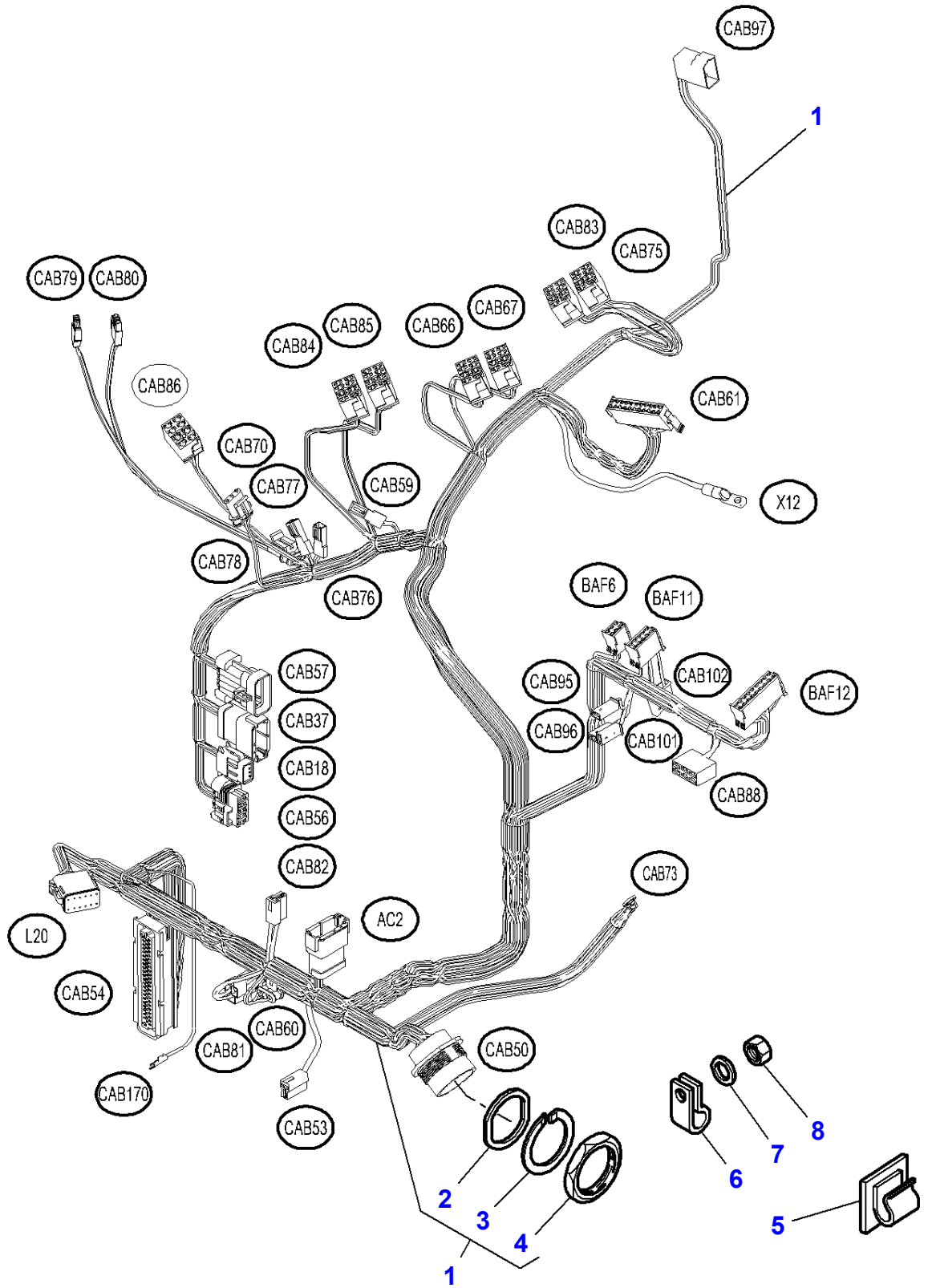


Massey Ferguson**MF 8470/8480 TRACTOR (TIER 3) - 3906071****3906071****Control Box - Cab - With Autotronic 5****Page090-0095**

Item	Part Number	Qty	Description	Comments
1	339030X1	2	Nut	M6
2	339560X1	1	Bolt	M6 X 16
3	391038X1	2	Flat Washer	
4	G701.970.070.018	1	Electronic Box	G701970070016 G701970070017
5	G716.970.160.030	1	Pressure Switch	
6	3019123X1	1	Nut	M6
7	1441494X1	2	Nut Metric	M5
8	339721X1	2	Bolt	M5 X 16
9	4278720M1	2	Tie	
10	4278995M1	1	Support	
11	4278997M1	1	Support	
12	3796241M97	1	Switch Box	
13	3010804X1	4	Screw	M4 X 16
	3010506X1	4	Screw	M5 X 16
14	4278996M1	1	Support	
15	3019123X1	2	Nut	

MF 8470/8480 TRACTOR (TIER 3) - 3906071
1-WW09-006-A

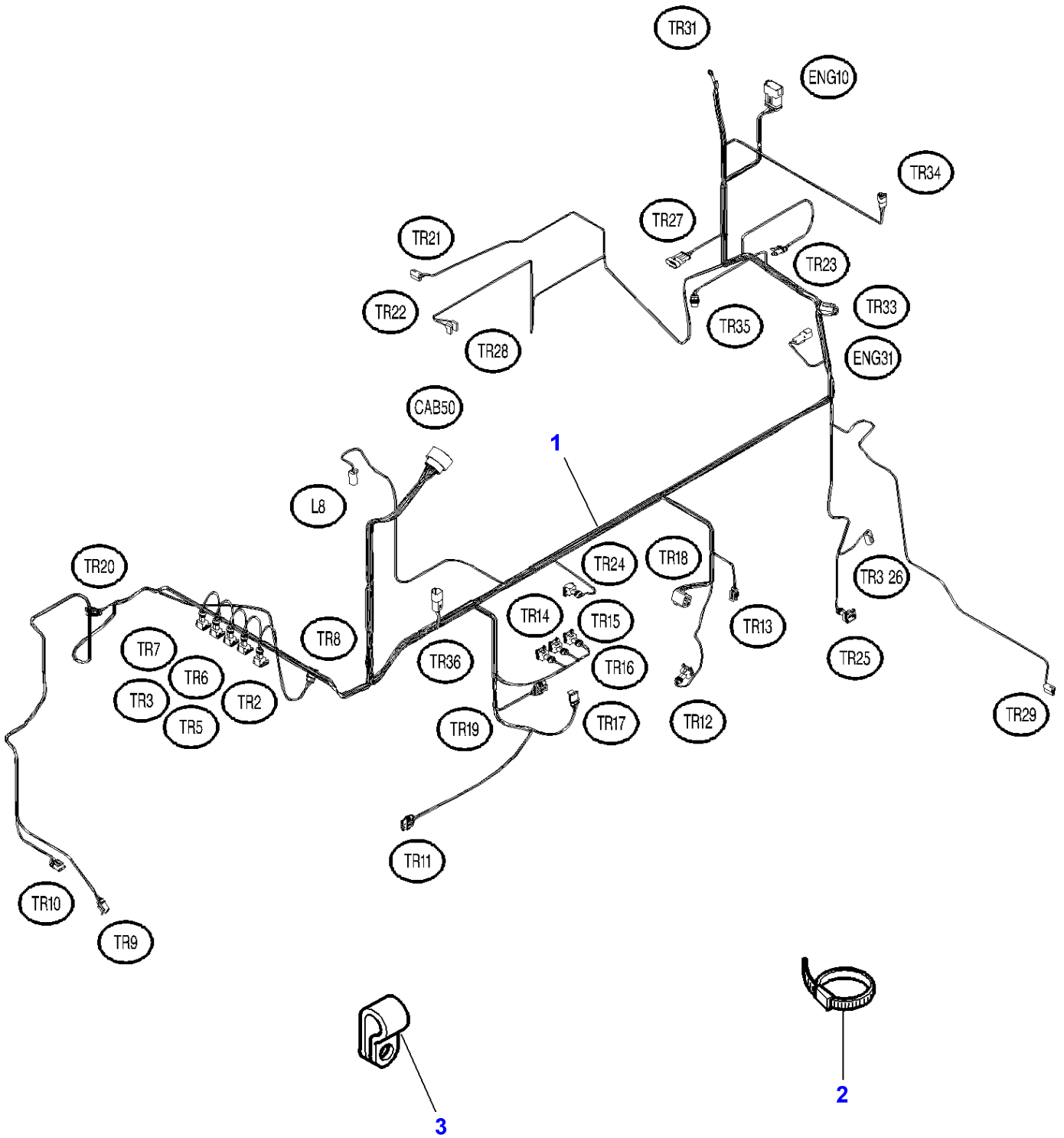
1-WW09-006-A



Massey Ferguson**MF 8470/8480 TRACTOR (TIER 3) - 3906071****3906071****Control Box Harness & Cab Controls****Page090-0100**

Item	Part Number	Qty	Description	Comments
1	4280949M1	1	Harness	
2	3013355X1	1	Seal	(1)
3	3013354X1	1	Washer	(1)
4	3013353X1	1	Nut	(1)
5	3582094M1	2	Tie	
6	3389841M1	1	Clip	12 - M6
7	390971X1	1	Flat Washer	6-12 X 1,5
8	339030X1	1	Nut	M6

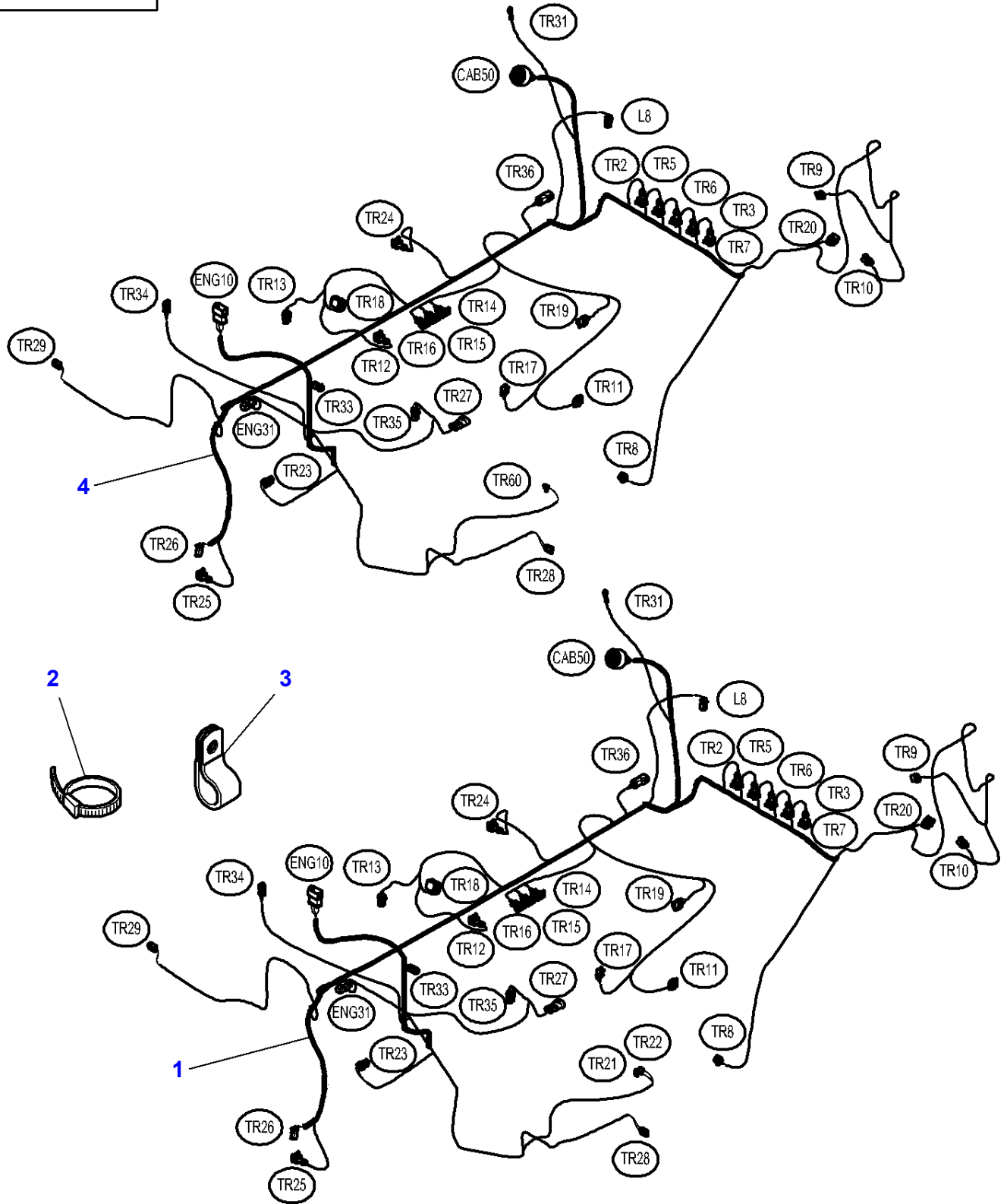
1-WW08-013-A



Massey Ferguson**MF 8470/8480 TRACTOR (TIER 3) - 3906071****3906071****Transmission Main Harness****Page090-0105**

Item	Part Number	Qty	Description	Comments
1	4277436M93	1	Harness	
2	3619622M1	X	Cable Tie	
3	4278721M1	2	Clamp	22 - M12

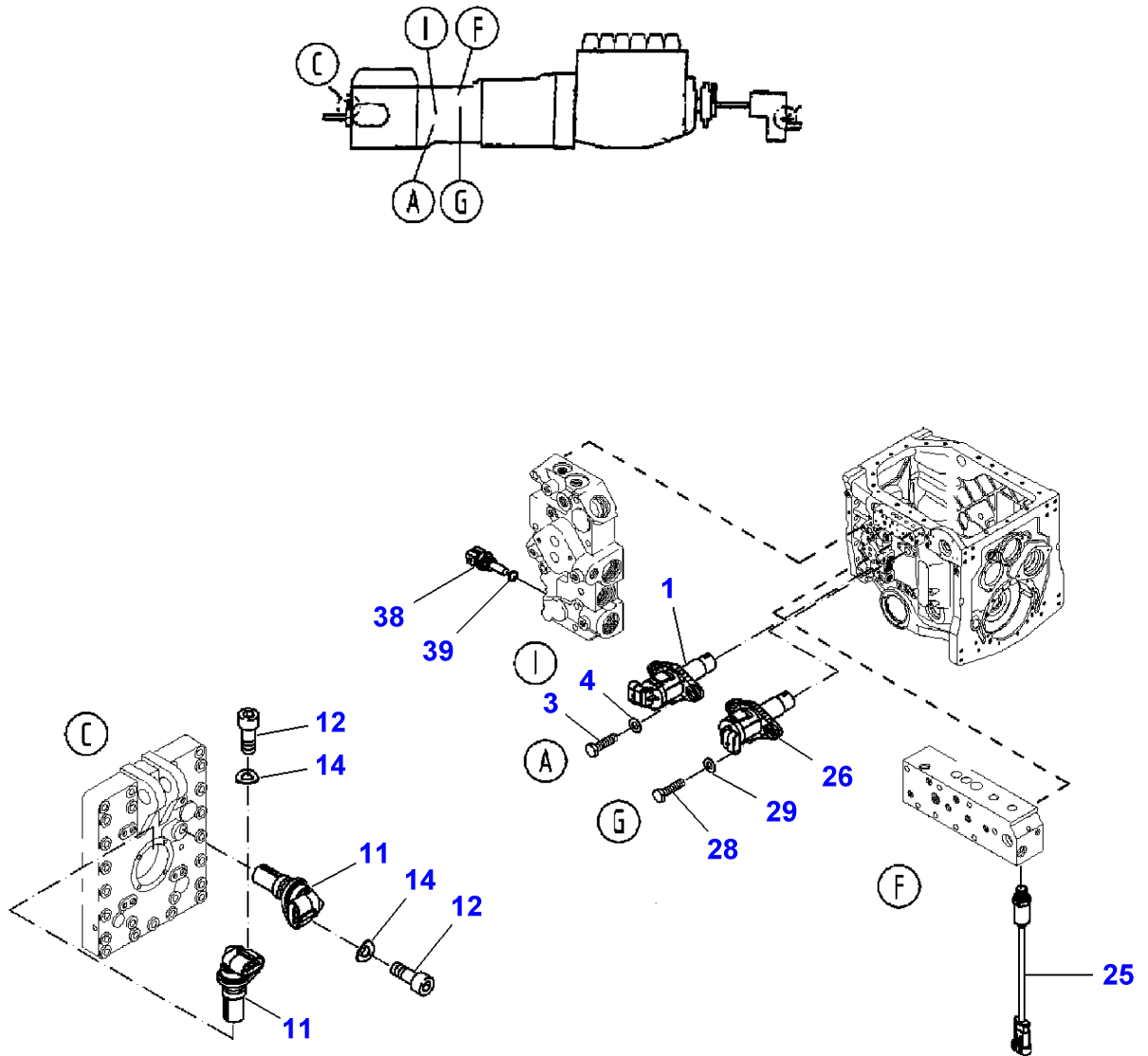
1-WW08-025-B



Massey Ferguson**MF 8470/8480 TRACTOR (TIER 3) - 3906071****3906071****Transmission Main Harness****Page090-0110**

Item	Part Number	Qty	Description	Comments
1	4286941M1	1	Harness	S156024
2	3619622M1	X	Cable Tie	
3	4278721M1	2	Clamp	22 - M12
4	4286941M2	1	Harness	S156025

1-WU37-006-A



Electronic Equipment - Sensors

Item	Part Number	Qty	Description	Comments
1	G916.970.020.014	1	Sensor	[A]
3	X487.527.741.000	2	Screw	M8 X 20
4	X450.006.308.000	2	Washer	
11	G816.970.020.040	2	Hall Sensor	[B]
12	X485.009.405.000	2	Hex. Sock. Screw	M8 X 16
14	X521.403.947.000	2	Spring Plate	
25	G718.970.020.021	1	Press.Transducer	[C]
26	G916.970.020.014	1	Sensor	[D]
28	X487.527.741.000	2	Screw	M8 X 20
29	X450.006.308.000	2	Washer	
38	H312.100.360.030	1	Temp. Sensor	[E]
39	X540.004.078.000	1	Ring	

FOOTNOTE [A] TRANSMITTER DRIVING-SPEED "A"

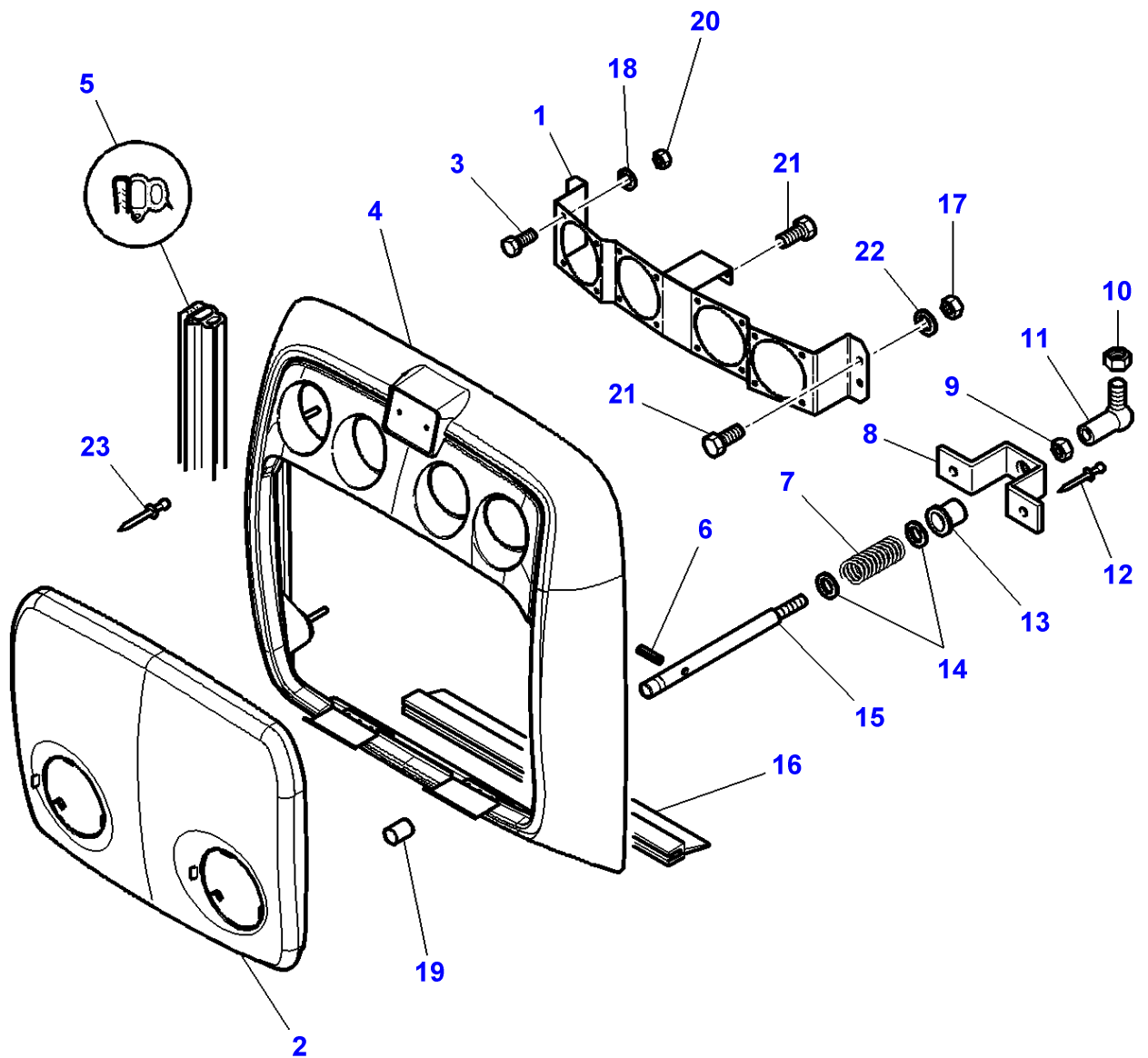
FOOTNOTE [B] TRANSMITTER P.T.O RPM REAR "C" 40MM

FOOTNOTE [C] TRANSMISSION "F"

FOOTNOTE [D] GEARBOX SPEED SENSOR "G"

FOOTNOTE [E] OIL TEMPERATURE TRANMISSION "I"

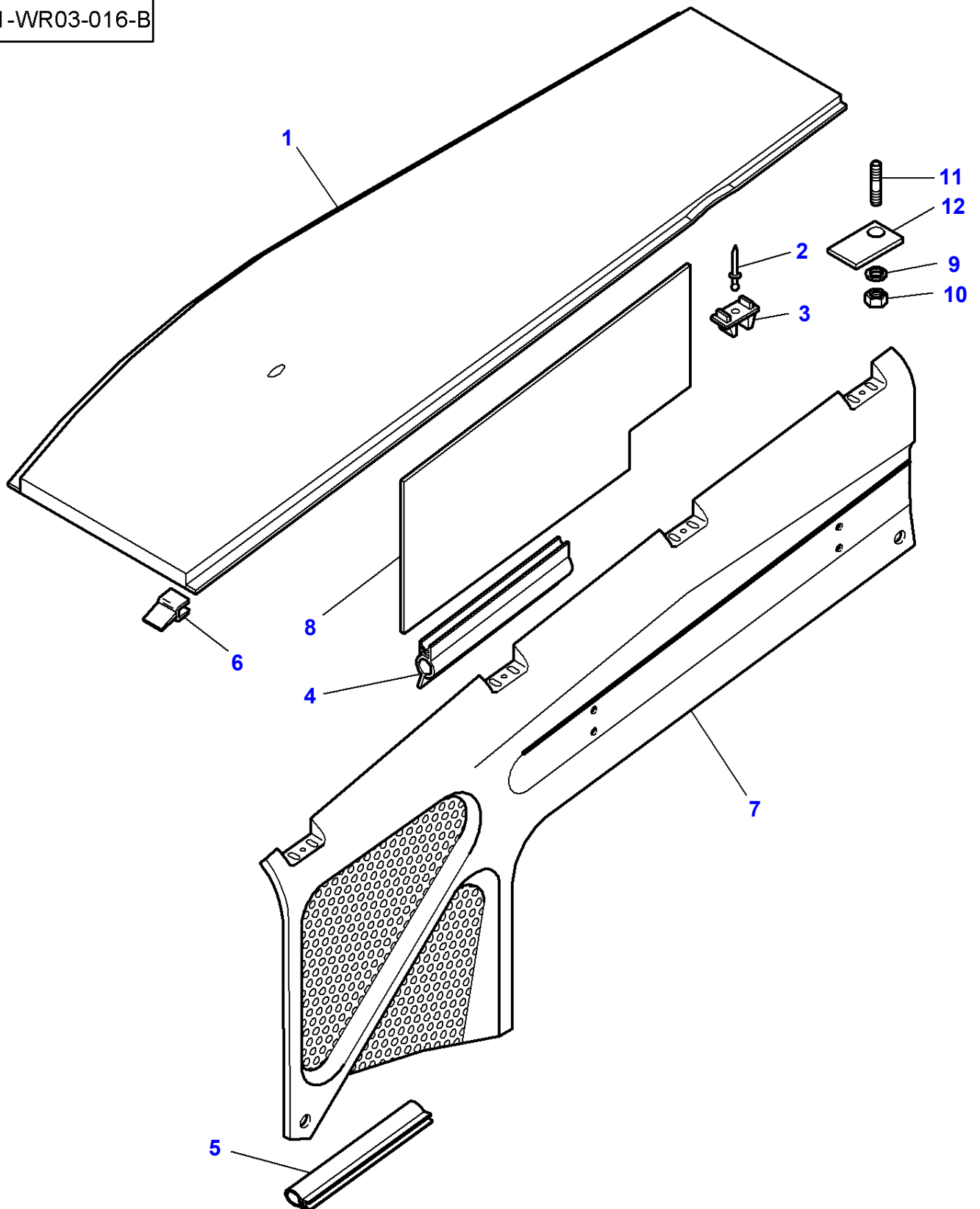
1-WR02-011-A



Sheet Metal - Grille

Item	Part Number	Qty	Description	Comments
1	4272147M3	1	Support	
2	4271863P95	1	Grille	
3	339666X1	16	Bolt	M6X20
4	4271869P94	1	Front Grille	
5	3783309M2	1	Gasket	2130MM
6	1442962X1	1	Split Pin	
7	5017249M1	1	Spring	
8	4279952M1	1	Strap	
9	1440085X1	1	Nut Metric	
10	1441500X1	1	Top Locknut	
11	3782780M1	1	Stub	
12	338828X1	2	Rivet	M8X16
13	72160887	1	Bush	
14	390734X1	2	Flat Washer	
15	4278218M2	1	Stem	
16	4270704M1	1	Gasket	730MM
17	390345X1	4	Nut Special	M8
18	390971X1	16	Flat Washer	
19	5016517M1	1	Button	
20	339030X1	16	Nut	
21	339124X1	6	Bolt	M8X16
22	390972X1	4	Flat Washer	
23	376820X1	16	Rivet	4,8 X 12,5
				...
	4289624M1	16	Rivet	4,8 X 21
				...

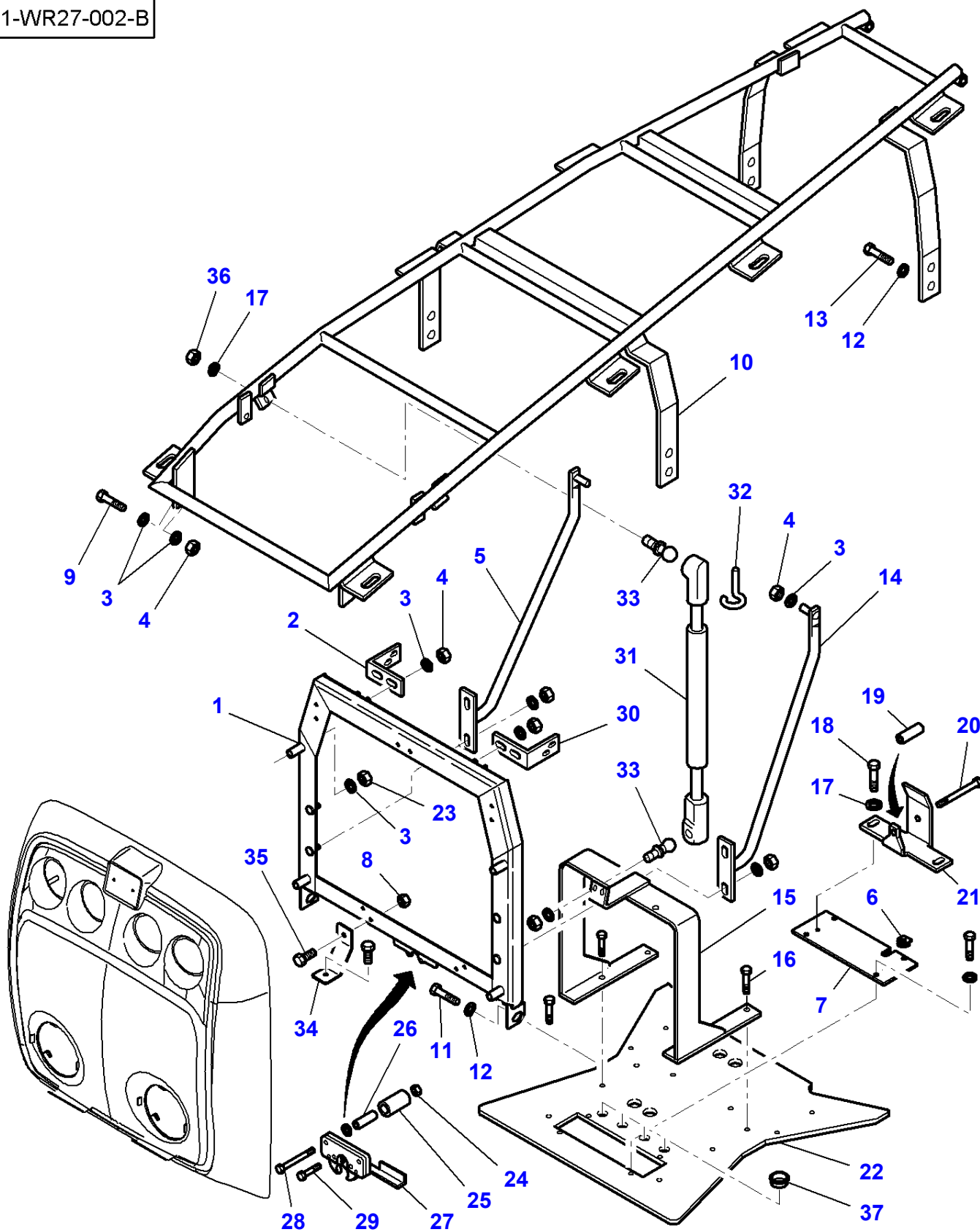
1-WR03-016-B



Massey Ferguson**MF 8470/8480 TRACTOR (TIER 3) - 3906071****3906071****Page 100-0010****Sheet Metal - Hood**

Item	Part Number	Qty	Description	Comments
1	3781322P3	1	Bonnet.	
2	3010021X1	8	Rivet	24-APR-2007
3	3800376M1	8	Buffer	24-APR-2007
4	3784954M1	2	Seal	540MM
5	4270704M1	1	Gasket	730MM
6	3783543M1	2	Gasket	50MM
7	4275003P94	1	Panel	24-APR-2007
	4275002P94	1	Panel	24-APR-2007
	4275003P95	1	Panel	25-APR-2007
	4275002P95	1	Panel	25-APR-2007
8	3783113M1	1	Protection.	
9	1440264X1	8	Washer Metric	10,5 X 4 25-APR-2007
10	394367X1	8	Locknut	M8 25-APR-2007
11	3011204X1	8	Stud	M8 X 40 25-APR-2007
12	4291046M1	8	Stop	25-APR-2007

1-WR27-002-B



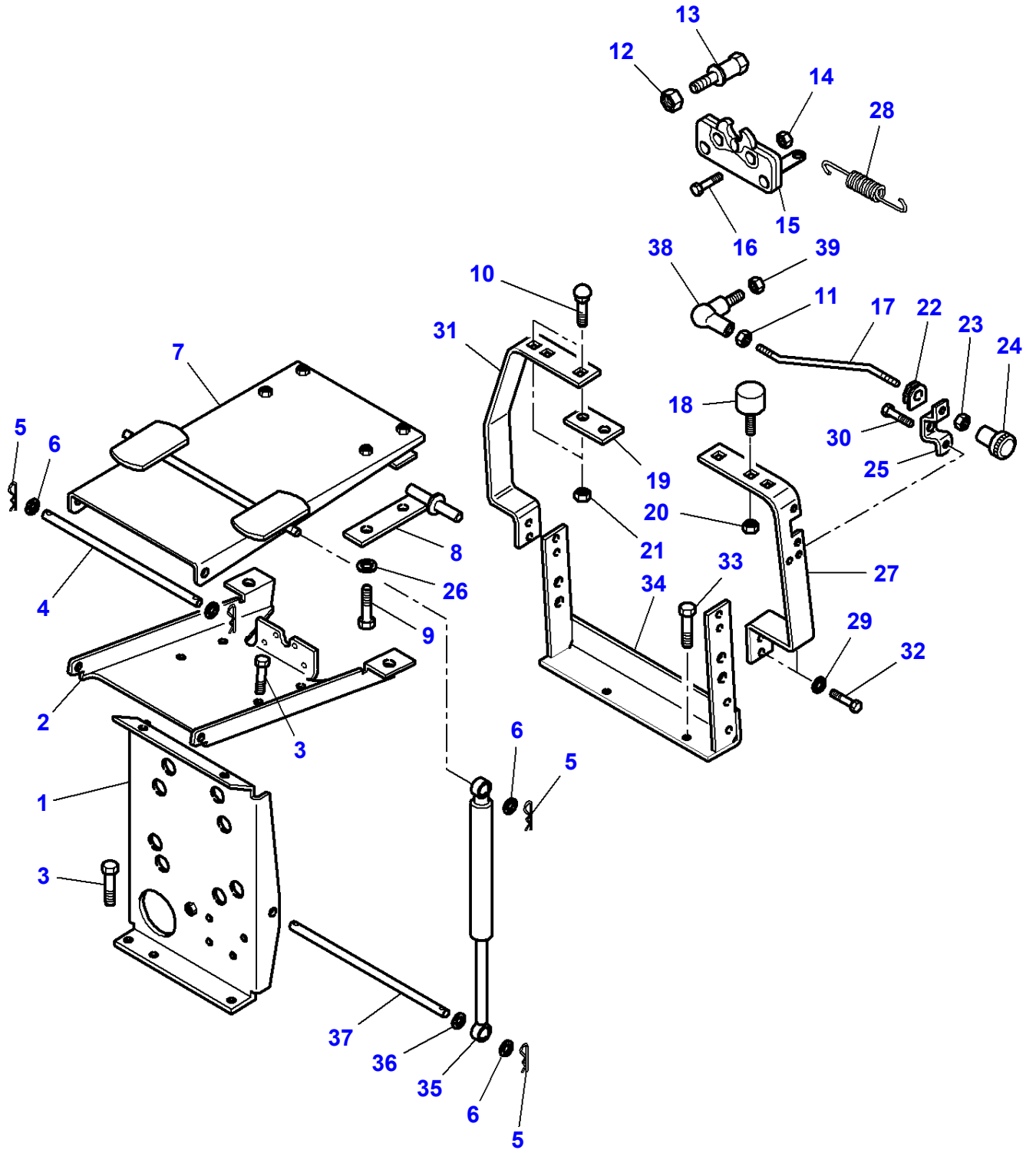
Sheet Metal - Screen Frame

Item	Part Number	Qty	Description	Comments
1	4271950M93	1	Chassis	
2	4272003M1	1	Angle.	
3	390734X1	X	Flat Washer	
4	339402X1	X	Nut	
5	4271946M91	1	Tube	
6	3387555M1	1	Grommet	17
7	4278095M1	1	Trap	
8	339169X1	X	Nut	M8
9	3009492X1	4	Cap Screw	M10X25
10	4274907M92	1	Chassis	S108055
	4274907M93	1	Chassis	S108056
11	1440433X1	2	Hex. Sock. Screw	M10X16
12	390597X1	8	Flat Washer	
13	3009492X1	8	Cap Screw	M10X25
14	4271947M91	1	Tube	
15	4277620M92	1	Support	
16	3009493X1	6	Bolt	M10X30
17	390972X1	X	Flat Washer	
18	339123X1	6	Bolt	M8X20
19	3782811M2	1	Spacer	
20	390246X1	1	Bolt	M8X70
21	4278183M1	1	Support	
22	4282226M1	1	Shield	S117033
	4282226M2	1	Shield	S117034
23	1441932X1	4	Nut Metric	M10
24	1441500X1	4	Top Locknut	
25	3781233M1	2	Roll	
26	3781976M1	2	Spacer	
27	5016791M1	1	Latch	
28	1441714X1	2	Bolt	M6X70
29	339096X1	2	Bolt	M6X35
30	4272004M1	1	Angle.	
31	3788102M1	2	Ram	
32	71307132	4	Clip	
33	3778880M1	4	Toggle	
34	4278326M1	2	Reinforcement	
35	339124X1	4	Bolt	M8X16
36	390345X1	4	Nut Special	M8
37	4280509M1	X	Plug	[A,B] 24.5 MM

FOOTNOTE [A] WITHOUT FRONT LINKAGE

FOOTNOTE [B] WITHOUT HYDRAULIC COUPLING

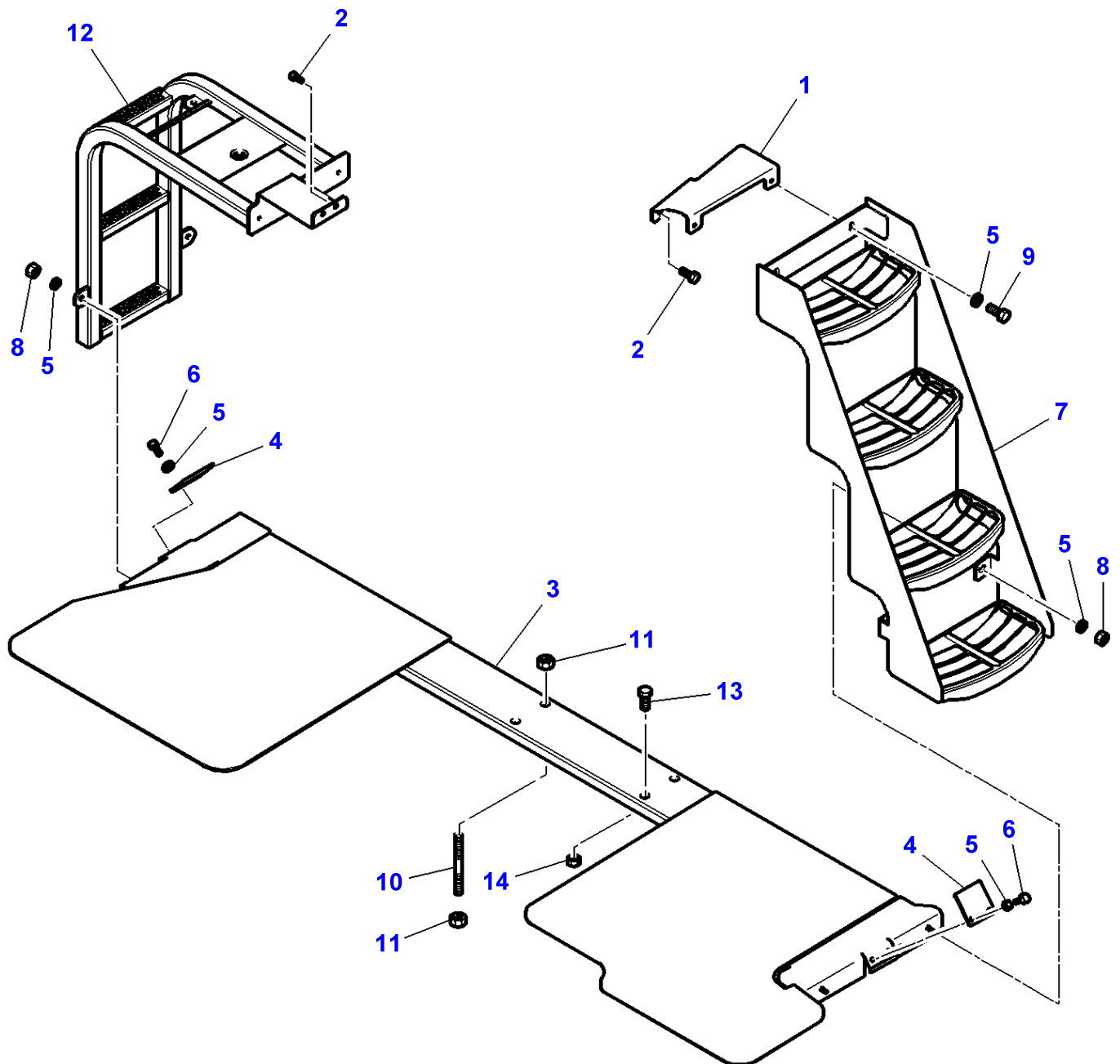
1-WR25-006-A



Sheet Metal - Hood Frame

Item	Part Number	Qty	Description	Comments
1	4274917M2	1	Plate	
2	4274740M2	1	Plate	
3	3009493X1	4	Bolt	M10 X 30
4	5016813M1	1	Clevis Pin	279,4 MM
5	1442962X1	6	Split Pin	
6	390734X1	6	Flat Washer	10-21 X 2
7	4274741M95	1	Plate	
8	3782699M92	1	Pivot	
	3782702M92	1	Pivot	
9	3011372X1	4	Carriage Bolt	M12 X 20
				...
	3009219X1	4	Carriage Bolt	M12 X 25
				...
10	390809X1	4	Screw Special	M10 X 25
11	339030X1	1	Nut	M6
12	70935041	1	Nut	
13	72513270	1	Latch	
14	339030X1	4	Nut	M6
15	72161441	1	Latch	
16	339262X1	4	Bolt	M6 X 30
17	4274912M2	1	Stem	
18	4274918M1	2	Stop	
19	4274957M1	1	Chock	
20	339169X1	2	Nut	M8
21	339402X1	4	Nut	M10
22	3387555M1	1	Grommet	
23	339030X1	1	Nut	M6
24	3783419M1	1	Button	
25	4274911M2	1	Support	
26	390735X1	4	Flat Washer	12-24 X 2,5
27	4280588M1	1	Support	
28	3580581M1	1	Spring	128 MM
29	390734X1	2	Flat Washer	
30	339721X1	2	Bolt	M5 X 16
31	4280587M1	1	Support	
32	3009493X1	4	Bolt	M10 X 30
33	390419X1	2	Bolt	M16 X 40
34	4280586M2	1	Support	
35	3783428M2	2	Ram	
36	5016817M1	2	Spacer	
37	5016451M1	1	Bracket	321,8 MM
38	3782780M1	1	Stub	
39	1441500X1	1	Top Locknut	

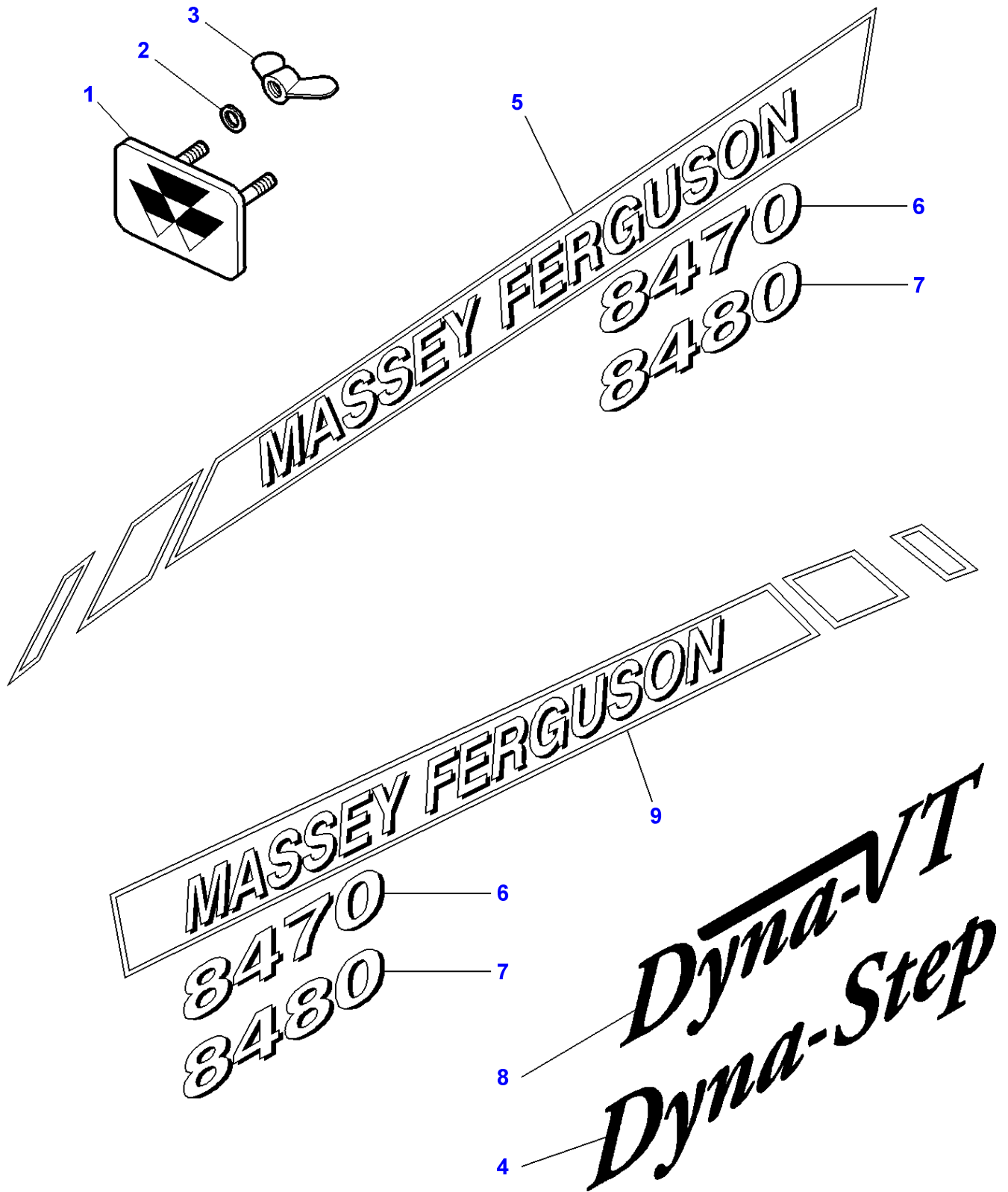
1-WS02-012-B



Massey Ferguson**MF 8470/8480 TRACTOR (TIER 3) - 3906071****3906071****Page 100-0025****Footstep**

Item	Part Number	Qty	Description	Comments
1	4278049M1	1	Support	
2	3009492X1	4	Cap Screw	M10 X 25
3	4275585M94	1	Support	
4	3786299M1	2	Bridle	
5	390972X1	10	Flat Washer	8-17 X 1,7
6	339124X1	4	Bolt	M8 X 16
7	3787215M91	1	Step	
8	339169X1	4	Nut	M8
9	339761X1	2	Bolt	M8 X 25
10	3019875X1	2	Stud	
11	339034X1	4	Nut	M16
12	4275463M93	1	Step	
13	3580795M1	2	Hex. Sock. Screw	M16 X 80
14	339034X1	2	Nut	M16

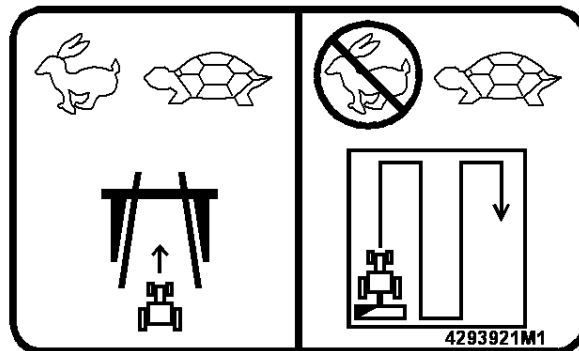
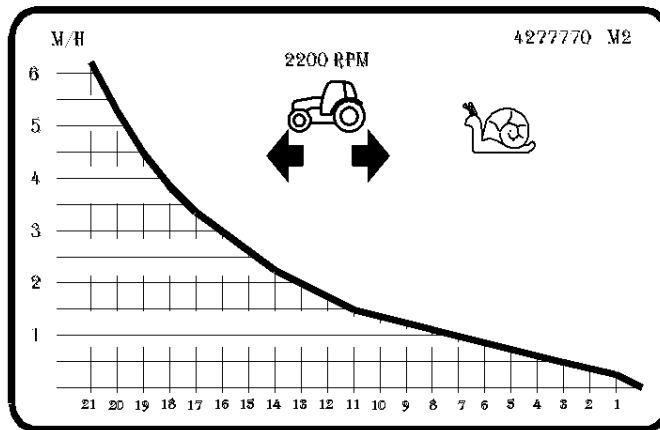
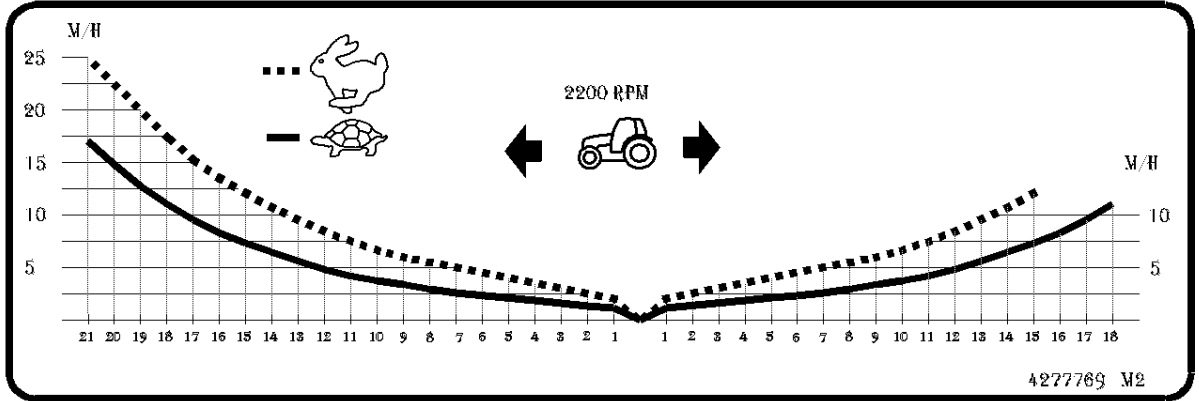
1-WR05-028-A



Massey Ferguson**MF 8470/8480 TRACTOR (TIER 3) - 3906071****3906071****Page 100-0030****Emblems**

Item	Part Number	Qty	Description	Comments
1	3808163M91	1	Emblem	
2	390971X1	2	Flat Washer	6-12 X 1,5 MM
3	1441500X1	2	Top Locknut	M6
4	4275502M1	2	Decal	
5	4270760M1	1	Decal	
6	4270764M1	2	Decal	MF 8470
7	4270765M1	2	Decal	MF 8480
8	4274857M1	2	Decal	
9	4270761M1	1	Decal	

1-WR12-016-B



1

2

3

Massey Ferguson

MF 8470/8480 TRACTOR (TIER 3) - 3906071

3906071

Speed Charts - For Dyna-Step Tractors - United States Only


Page 100-0035

Item	Part Number	Qty	Description	Comments
1	4277769M2	1	Decal	
2	4277770M2	1	Decal	[A]
3	4293921M1	1	Decal	

FOOTNOTE [A] WITH CREEPER GEAR

1-WR13-031-B

CAUTION



Before operating, read operators instruction book thoroughly.

Do not start engine until everyone is a safe distance from tractor and equipment.

Keep all shields, covers and guards in place while engine is running.

Keep hands, feet and clothing away from power driven or moving parts.

Always drive with due care and attention.

If differential lock does not disengage automatically, depress clutch pedal brake pedals must always be coupled together when independent brakes are not being used.

Before leaving tractor, apply parking brake, lower equipment, stop engine and remove key from starter switch.

When attaching equipment check operator's instruction book for front and rear axle load limits.

Place transmission shift lever in neutral, apply parking brake before using external lift controls.

Ensure that all wheel and rim nuts are tightened as specified in operator's instructions book.

On public roads, use SMV emblem and flashing warning lights where required by law.

DO NOT REMOVE OR OBSCURE DECAL

4 275 285 M1

14

CAUTION



THE "AUTOGUIDE" OPTION CAN ONLY BE USED FOR FIELD APPLICATIONS.

ENSURE THAT THE AUTOGUIDE SYSTEM IS DEACTIVATED FOR ALL ROAD USE.

4294384M1

TOWING INSTRUCTIONS

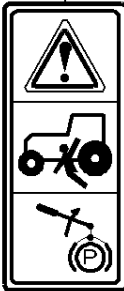
Put transmission in neutral!
Maximum towing speed 10 Km/h (6mph)
Maximum towing distance 8 km (5 miles).

4 275 232 M1

2

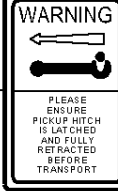
1

7



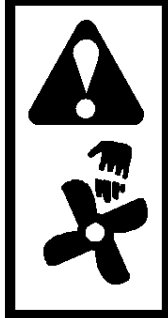
13

WARNING



PLEASE ENSURE PICKUP HITCH IS LATCHED AND FULLY RETRACTED BEFORE TRANSPORT

5




9



IT IS IMPERATIVE TO USE THE TRANSMISSION OIL RECOMMENDED IN THE OPERATING MANUAL.

3713699M1

WARNING



High pressure steam and hot water. Remove filter cap with extreme care.

DO NOT REMOVE OR OBSCURE DECAL 3595685M1

6

8


CAUTION



TO AVOID POSSIBLE TRACTOR OVERTURN, PULL ONLY FROM DRAWBAR OR LOWER LINKS OF THREE POINT HITCH


2752579M1

WARNING



Before working on the tractor or removing this cover, disconnect negative leads to all Battery

WARNING




Do not short across starter terminals to start engine. Never start engine while standing on the ground. Start engine only with start key from operator's seat, ensuring that gearbox and PTO are in neutral with parking brake applied.

DO NOT REMOVE OR OBSCURE DECAL 3596432M1

4

WARNING



Before working on the tractor, disconnect negative leads to all batteries.

WARNING




Before removing any battery, disconnect all negative leads before positive leads.

DO NOT REMOVE OR OBSCURE DECAL 3595679M1

10

CAUTION



Keep all shields, covers and guards fastened in place while engine is running.

WARNING




Beware hot parts

DO NOT REMOVE OR OBSCURE DECAL 3595679M1

11

CAUTION




If tractor is overturning gold minimal to start engine ding on the ground

3580315M1

3


WARNING



Always disengage PTO and stop engine before attaching or detaching PTO shafts or working on PTO driven equipment.

Always fit PTO cover when PTO is not in use.

CAUTION



Do not stand between tractor and equipment when operating controls.

Tow only with MF approved tractor drawbar or hitch

DO NOT REMOVE OR OBSCURE DECAL 3581593M1

12

Decals - Safety

Item	Part Number	Qty	Description	Comments
1	4275285M2	1	Decal	
2	4275232M1	1	Decal	
3	3580315M1	1	Decal	
4	3596432M1	1	Decal	
5	4271915M1	1	Decal	
6	3595685M1	1	Decal	
7	3782489M1	1	Decal	
8	2752579M1	1	Decal	
9	3713699M1	1	Decal	
10	3595679M1	1	Decal	
11	3595678M1	1	Decal	
12	3581563M1	1	Decal	
13	3781401M1	1	Decal	[A]
14	4294364M1	1	Decal	

FOOTNOTE [A] WITH AUTOMATIC HITCH

MF 8470/8480 TRACTOR (TIER 3) - 3906071 1-WR13-048-C

1-WR13-048-C

7

WARNING

TO PREVENT PERSONAL INJURY

1. Position and lock drawbar directly in line with tractor PTO as follows:

PTO SPEED	SHIFT SIZE	DRAWBAR DISTANCE "A"
540	11.70 (364)	200 ± 4 (16.0 202)
540	11.30 (344)	200 ± 4 (15.6 202)
1080	11.70 (364)	200 ± 4 (16.0 202)

2. Do not operate the PTO at speeds faster than the speed recommended by the implement manufacturer.

3. Operate the tractor at the proper PTO speed as indicated on the monitor to prevent overloading of the PTO. Limit maximum PTO speeds to 630 RPM (570 RPM shaft) and 1187 RPM (1300 RPM shaft).

8

WARNING

Engage the parking brake to prevent tractor movement with the engine off.

Clutch WILL NOT hold tractor in place, even though transmission is in gear.

Unexpected tractor movement may cause serious injury.

10

WARNING

Keep hands clear of fan and belts while engine is running

13

WARNING

Stay clear of linkage when rotating oil cooler.

CAUTION

To avoid injury

Read the Operator Instruction Book for safety information and operating instructions.

Fasten your seat belt before tractor operation.

Start engine only when seated in operator's seat.

Make sure everyone is clear of tractor and equipment before starting engine or operation.

Keep all shields covers and guards in place and stay away from moving parts while engine is running.

Place transmission shift lever in neutral and apply parking brake before using external 3-point hitch controls.

Apply parking brake, lower equipment, stop engine and remove key before leaving the tractor unattended.

Wait for all movement to stop before servicing tractor or equipment.

Securely support or block lifted implements which must be in the raised position for servicing or adjustment.

Couple brake pedals together for road travel.

Use flashing warning lights and SMV emblem when on public roads, except where prohibited by law.

Always drive with care and attention.

11

DANGER

Pull only from approved drawbar or lower links of 3 points linkage at horizontal position or below.

DANGER

Rotating driveline contact may cause serious injury or death.

Keep all driveline, tractor and equipment shields in place during operation.

WARNING

Stand clear when using controls to move 3 points hitch.

4

DANGER

Start only from seat with transmission and PTO in neutral. Starting in gear kills.

15

WARNING

Beware hot parts

16

WARNING

Battery posts terminals and related accessories contain lead and lead compounds, chemicals known to the State of California to cause cancer and reproductive harm. Wash hands after handling.

17

DANGER

Flammable with all ranges only. Other gas may become readily ignitable or toxic.

18

CAUTION

CAUTION BAR AXLE

2

WARNING

USE SEAT BELT

20

Always use tractor in low range for field application

5

TOWING INSTRUCTIONS

Put transmission in neutral!

Maximum towing speed 10 Km/h (6mph)

Maximum towing distance 8 km (5 miles).

4 275 232 M1

6

WARNING

Stay clear of this area when engine is running.

14

WARNING

High pressure steam and hot water. Remove filter cap with extreme care

19

WARNING

Remove negative cables from batteries before removing solenoid cover and before servicing electrical system.

1

IMPORTANT

To ensure proper operation, use transmission oil specified in the Operator Instruction Book.

9

DANGER explosive gases

Always shield eyes and face from battery. Cigarettes, flames or sparks could cause battery to explode. Do not charge or use booster cables or adjust post connections without proper instruction or training.

POISON causes severe burns

Contains sulphuric acid. Avoid contact with skin, eyes or clothing in event of accident. flush with water and call a physician immediately.

Keep out of reach of children

Shield eyes
DO NOT REMOVE OR OBSCURE DECAL

Explosive gas

Avoid sparks and flame

Sulphuric acid
36% 95041

21

CAUTION

THE "AUTOGUIDE" OPTION CAN ONLY BE USED FOR FIELD APPLICATIONS.

ENSURE THAT THE AUTOGUIDE SYSTEM IS DEACTIVATED FOR ALL ROAD USE.

429 438 4M1

3

WARNING

Instructor seat:

- not intended for use by children.
- for use by training or service person only.

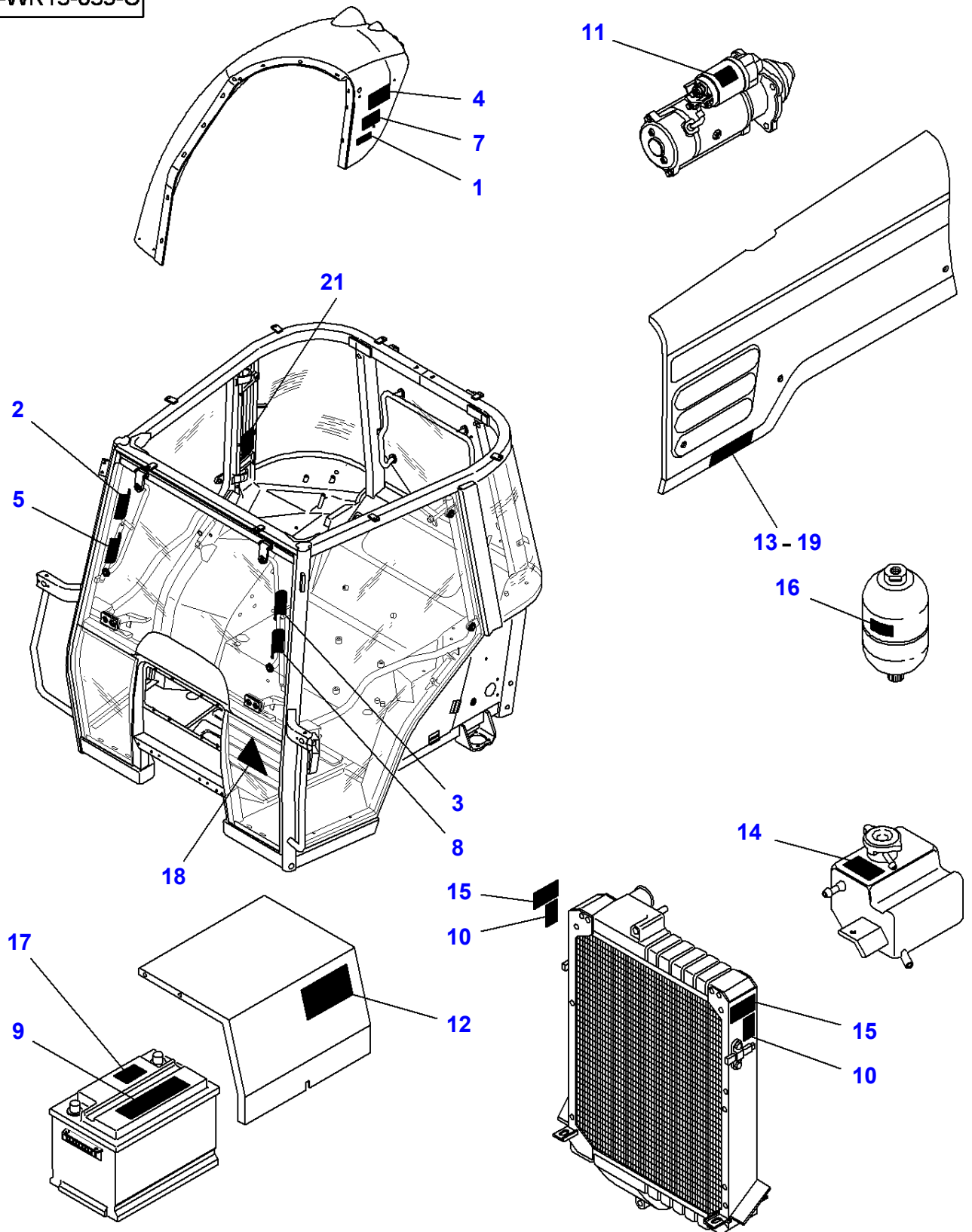
Use seat belt adjusted snugly.

Decals - Safety

Item	Part Number	Qty	Description	Comments
1	3777020M1	1	Decal	
2	3808567M2	1	Decal	
3	3787683M1	1	Decal	
4	3808558M3	1	Decal	
5	3808550M3	1	Decal	
6	4275232M1	1	Decal	
7	72503125	1	Decal	
8	3777017M2	1	Decal	
9	3810054M1	2	Decal	
10	3808500M2	2	Decal	
11	5016264M1	1	Decal	
12	5016204M1	1	Decal	
13	5016744M1	2	Decal	
14	3808561M3	1	Decal	
15	3808555M2	2	Decal	
16	3777021M3	1	Decal	
17	3786812M1	2	Decal	
18	4284168M1	1	Decal	
19	3786314M1	1	Decal	[A]
20	4291458M1	1	Decal	
21	4294364M1	1	Decal	

FOOTNOTE [A] WITH FRONT AXLE SUSPENDED

1-WR13-039-C



Decals - Safety


Item	Part Number	Qty	Description	Comments
1	3777020M1	1	Decal	
2	3808567M2	1	Decal	
3	3787683M1	1	Decal	
4	3808558M3	1	Decal	
5	3808550M3	1	Decal	
6	4275232M1	1	Decal	[A]
7	72503125	1	Decal	
8	3777017M2	1	Decal	
9	3810054M1	2	Decal	
10	3808500M2	2	Decal	
11	5016264M1	1	Decal	
12	5016204M1	1	Decal	
13	5016744M1	2	Decal	
14	3808561M3	1	Decal	
15	3808555M2	2	Decal	
16	3777021M3	1	Decal	
17	3786812M1	2	Decal	
18	4284168M1	1	Decal	
19	3786314M1	1	Decal	
20	4291458M1	1	Decal	[A]
21	4294364M1	1	Decal	


FOOTNOTE [A] NOT ILLUSTRATED


1-WR13-032-A

1  **ATTENTION**
Vapeur sous haute pression et eau chaude.
Retirez le bouchon avec précaution.
NE PAS ENLEVER OU COUVRIR CETTE DÉCAL 3596029 M1




10  **ATTENTION**
POUR ÉVITER LE CAPOTAGE DU TRACTEUR, NE REMORQUER QU'AVEC LA BARRE DE TIRAGE OU AVEC LES BRAS INFÉRIEURS DE L'ATTELAGE EN TROIS POINTS.
539013 M1

5  **AVERTISSEMENT**
Si le tracteur se renverse, tenir le volant.
Ne pas quitter le siège.

NE PAS ENLEVER OU COUVRIR CETTE DÉCAL 3580313 M1

 **ATTENTION**
Débrancher les câbles négatifs des batteries avant de retirer ce couvercle ou d'intervenir sur le tracteur

6  **AVERTISSEMENT**
Ne pas mettre les bornes en court-circuit pour faire démarrer le moteur.
Ne pas faire démarrer le moteur sans être assis sur le siège.
Ne faire démarrer le moteur qu'avec la clé, la transmission et la PTO étant en point mort, et le frein à main serré.
NE PAS ENLEVER OU COUVRIR CETTE DÉCAL 3596467 M1

3 **CONSIGNE DE REMORQUAGE**
Mettre la sélection de gamme (1-11) sur position milieu (neutre) !
Vitesse maxi 10 Km/h
Distance maxi 8 km
4 275 234 M1

11 



2


 **UTILISER IMPÉRATIVEMENT L'HUILE DE TRANSMISSION PRÉCONISÉE PAR LE LIVRET D'UTILISATION.**
3713698M1


7


4  **ATTENTION**
Débrancher les câbles négatifs de toutes les batteries avant d'intervenir sur le tracteur.

 **ATTENTION**
Avant de déposer une batterie, débrancher les câbles négatifs avant les câbles positifs.
NE PAS ENLEVER OU COUVRIR CETTE DÉCAL 3596045M1



12  **AVERTISSEMENT**
Toujours maintenir les garants et protecteurs en place pendant que le moteur tourne

 **ATTENTION**
Pièces chaudes
NE PAS ENLEVER OU COUVRIR CETTE DÉCAL 3596037 M1

8  **ATTENTION**
Toujours désenclencher la PTO et arrêter le moteur avant d'accoupler ou de désaccoupler un arbre de PTO ou avant d'intervenir sur un instrument entraîné par PTO.
Toujours monter le garant de PTO lorsque la PTO n'est pas utilisée.

 **AVERTISSEMENT**
Ne jamais se tenir entre le tracteur et l'instrument lorsqu'on actionne les commandes.
N'utiliser qu'une barre de traction ou un attelage agréés par MF.
NE PAS ENLEVER OU COUVRIR CETTE DÉCAL 3581564 M1

AVERTISSEMENT

Avant d'utiliser l'outil attentivement le livret d'utilisation.

Avant de mettre le moteur en marche, s'assurer qu'il n'y a personne à proximité de l'appareil.

Toujours maintenir les garants et protecteurs en place pendant que le moteur tourne.

Eloigner les mains, les pieds et les vêtements de toutes pièces entraînés ou en mouvement.

Toujours conduire avec attention.

Si le blocage du différentiel ne se désengage pas suffisamment, enferrer le pédale d'embrayage.

Les pédales de frein doivent toujours être fermées lorsque les freins indépendants ne sont pas utilisés.

Avant de cultiver le tracteur, serrez le frein à main puis serrez l'instrument, arrêtez le moteur et retirez la clé.

Avant d'attacher un instrument voir le livret d'utilisation pour vérifier les charges maximales d'essieu avant et arrière.

Mettre le verrou de vitesses au neutre et serrez le frein à main pour pouvoir utiliser les commandes extérieures de relevage.




Ventiler que tous les égrès de roues et les joints se soient serrés au couple indiqué dans le livret.

Sur un pont quel qu'il soit, ne jamais ventiler lentement les pneus lorsque les ol' fedge.

NE PAS ENLEVER OU COUVRIR CETTE DÉCAL COMMANE.

4 275 287 M1

9






Decals - Safety

Item	Part Number	Qty	Description
1	3596029M1	1	Decal
2	4275287M1	1	Decal
3	4275234M1	1	Decal
4	3596045M1	1	Decal
5	3580313M1	1	Decal
6	3596467M2	1	Decal
7	3713698M1	1	Decal
8	3581564M1	1	Decal
9	3782489M1	1	Decal
10	539613M1	1	Decal
11	4271915M1	1	Decal
12	3596037M1	1	Decal

1-WR13-033-B

WARNUNG



Vor dem Gebrauch muss das Benutzerhandbuch sorgfältig durchgelesen werden.

Vor dem Ingangsetzen des Motors sicherstellen, dass sich niemand in der Nähe des Geräts befindet.

Die Sicherheits- und Schutzvorrichtungen während des Laufes des Motors immer an ihrem Platz lassen.

Hände, Füße und Kleidungsstücke von allen beweglichen und drehenden Teilen entfernt halten, immer vorsichtig führen.

Wenn die Differenzialperre nicht automatisch ausgeklüwd wird, das Kupplungspedal niedertreten.

Die Bremspedale zueinander immer gespaart sein, wenn die muthblugigen Brennstoffe nicht verwendet werden.

Vor dem Verlassen des Schleppers die Feststellbremse ausziehen, das Werkzeug absetzen und den Motor abhalten. Den Zundrussel abziehen.

Vor dem Koppeln irgend eren Gerat im Benutzerhandbuch nachsehen, um die Maximallasten an der Vorder- und uder Hinterrad zu prufen.

Den Schakelbel auf Leerlauf stellen und die Feststellbremse ausziehen, um die externen Medienendelemente des uerlichen Verwendens zu klenken.

Sicherstellen, dass alle Radnuttern und Felgenreifern auf das in Handbuch ausgegebene Moment festgezogen sind.

Auf offentlichen Verkehrswegen das Schild fur langere Fahrzeuge und, wenn dies gesetzlich vorgeschrieben ist, die Warnlinkenlage verwenden.

ABZIEHBILD NICHT ENTFERNEN ODER VERDECKEN

4 275 288 M1

2

ACHTUNG !
Vor jedem Eingriff in Schlepper stets Minuspol-Leiter von Batterien losklemmen.

ACHTUNG !
Vor dem Batterieausbau stets Minusleiter vor den pluspolleitern losklemmen.

KLEBESCHILD NICHT ABNEHMEN NOCH UBERKLEBEN 3591116 M1

3

WARNUNG !
Sichererungshauben und Schutzvorrichtungen bei laufendem Motor aufgesetzt lassen.

ACHTUNG !
Heisstellen!

KLEBESCHILD NICHT ABNEHMEN NOCH UBERKLEBEN 3591125 M1

6



UNBEDINGT DAS IN DER BETRIEBSANLEITUNG EMPFOHLENE OL VERWENDEN

3713700M1

4

ABSCHLEPPVORSCHRIFT

Getriebe bereichsschaltung (1-11) uber notbetatigung auf mittelstellung !
Max grschwindigkeit 10 Km/h
Max entfernung 8 km

4 275 233 M1

11

ACHTUNG

AUTOGUIDE DARF NUR IM FELD VERWENDET WERDEN.

IM STRASSENVERKEHR MUSS DAS AUTOGUIDE-SYSTEM DEAKTIVIERT SEIN.

4294262M1

8



7

VORSICHT

Bei Zugarbeiten nur die dafur vorgesehenen Vorrichtungen verwenden (Zugmaul, Zugpendel 3-Pkt. Gerstange/Ackerschiene), damit sich der Schlepper nicht uberschlagt.

Haltschild nicht abnehmen oder uberkleien bei Unleserlichkeit Haltschild erneuern

3581570M2

5

ACHTUNG !

Bevor dieser Deckel abgenommen oder im Schlepper Eingriffe vorgenommen werden sind Minuspol-Leiter von den Batterien loszuklemmen.

WARNUNG !

Klemmen zum Anlassen des Motors nie kurzschliessen.
Motor nie, lassen, ohne schon auf dem Fahrersitz zusetzen.
Motor nur mit zugehörigem Kontaktschlüssel bei neutralgeschalteten Getriebe und PTO-Zapfwelle und bei abgezogener Handbremse anlassen.

KLEBESCHILD NICHT ABNEHMEN NOCH UBERKLEBEN 3591110 M1

10



9

ACHTUNG !

Die Stabi-Streben der Unterlenker schlepperseitig in der oberen Bohrung befestigen fur im Boden arbeitende Anbaugerate, die wahrend der Arbeit seitliche Beweglichkeit erfordern.
Bei diesen Geraten die beiden Stabi-Streben im ausgehobenen Zustand einstellen damit das Gerat starrgestellt ist.
Die stabli-Streben schlepperseitig in der unteren Bohrung befestigen fur Anbaugerate, die wahrend der Arbeit starr gefuhrt werden mussen (zB Schleuderdungerstreuer).
Siehe auch Betriebsanleitung.


3583497M1

Decals - Safety

Item	Part Number	Qty	Description
1	4275288M1	1	Decal
2	3597446M1	1	Decal
3	3597428M1	1	Decal
4	4275235M1	1	Decal
5	3597449M2	1	Decal
6	3713700M1	1	Decal
7	3581570M2	1	Decal
8	4271915M1	1	Decal
9	3583497M1	1	Decal
10	3782489M1	1	Decal
11	4294363M1	1	Decal

1-WR13-034-A

AVVERTIMENTO



Prima di utilizzare, leggere attentamente il manuale di utilizzazione.

Prima di mettere il motore in marcia, verificare che non ci sia nessuno, operatore nelle immediate vicinanze dell'apparato.

Mantenere sempre i pezzi di protezione e le protezioni in posizione durante la fase di funzionamento del motore.

Allentare le viti, i pioli e gli altri da tutti i pezzi movimentati o messi in movimento.

Chiudere sempre con attenzione.

Se il blocco del differenziale non si disinnesta automaticamente, premere il pedale della frizione.

I pedali del freno devono essere sempre generalizzati quando i freni indipendenti non sono utilizzati.

Prima di lasciare il trattore, tirare il freno a mano, abbassare lo strumento, spegnere il motore e togliere la chiave.

Prima di agganciare lo strumento, leggere il manuale di utilizzazione per verificare i carichi consentiti degli assi anteriori e posteriori.

Mettere la leva del cambio in posizione neutro e tirare il freno a mano per potere utilizzare i comandi esterni di sollevamento.

Verificare che tutti i dadi delle ruote e dei cerchioni sono stretti alle coppie indicate nel manuale.

Sulla via pubblica, utilizzare l'emblema veicolo lento e le luci di emergenza quando la legge lo richiede.

NON STACCARE O NASCONDERE LA DECALCOMANIA

4 275 289 M1

2

AVVERTENZA



Si il trattore si rovescia tenere il volante.
Non abbandonare il sedile.




NON STACCARE O NASCONDERE LA DECALCOMANIA 3581533 M1


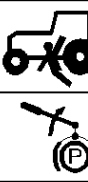
3

AVVERTENZA

5

AVVERTENZA

4

RACCOMANDAZIONI AL RIMORCHIO

Mettere la selezione di gamma (1-11)
Sulla posizione centrale (neutro) !
Velocità massima 10 Km/h
Distanza massima 8 km

4 275 236 M1

6

ATTENZIONE

PER EVITARE IL RIBALTAMENTO DEL TRATTORE, TRAINATE SOLO CON LA BARRA DI TRAINO O CON LE ESTREMITÀ INFERIORI DELL'ATTACCO A 3 PUNTI

NON STACCARE O NASCONDERE LA DECALCOMANIA 3581571 M2

7

AVVERTENZA


PER LA TRASMISSIONE UTILIZZARE OBBLIGATORIAMENTE L'OLIO RACCOMANDATO NEL LIBRETTO D'USO.

3713701 M1

8

AVVERTENCIA

Staccare i cavi negativi di tutte le batterie prima d'intervenire sul trattore.




9

ATTENZIONE

Prima di rimuovere una batteria, staccare i cavi negativi prima dei cavi positivi.

NON STACCARE O NASCONDERE LA DECALCOMANIA 3537447 M1



ATTENZIONE

L'impianto contiene liquido pressurizzato e caldo.
Togliere il tappo lentamente

NON STACCARE O NASCONDERE LA DECALCOMANIA 3597432 M1



11

ATTENZIONE

Staccare i cavi negativi delle batterie prima di tagliare questo coperchio o d'intervenire sul trattore.



AVVERTENZA

Non mettere i morsetti in corto circuito per avviare il motore.
Non avviare il motore senza essere seduti sul sedile.
Avviare il motore solo con la chiave con la trasmissione o la PDP (presa di potenza) in folle ed il freno a mano inserito.

NON STACCARE O NASCONDERE LA DECALCOMANIA 3597450 M1



10

AVVERTENZA

Mantenere sempre le sicurezze ed i protettori al loro posto quando il motore gira.



ATTENZIONE

Pezzi caldi


NON STACCARE O NASCONDERE LA DECALCOMANIA 3597429



12

ATTENZIONE


Disinnestare sempre la PTO e spegnere il motore prima di accoppiare o disaccoppiare un albero di PTO a prima d'intervenire su uno strumento azionato da PTO. Montare sempre la sicurezza di PTO quando quest'ultima non viene utilizzata.



AVVERTENZA

Non sostare mai fra lo strumento ed il trattore quando si azionano i comandi.
Utilizzare unicamente una barra di trazione od un attacco autorizzato da MF.

NON STACCARE O NASCONDERE LA DECALCOMANIA 3581568 M1

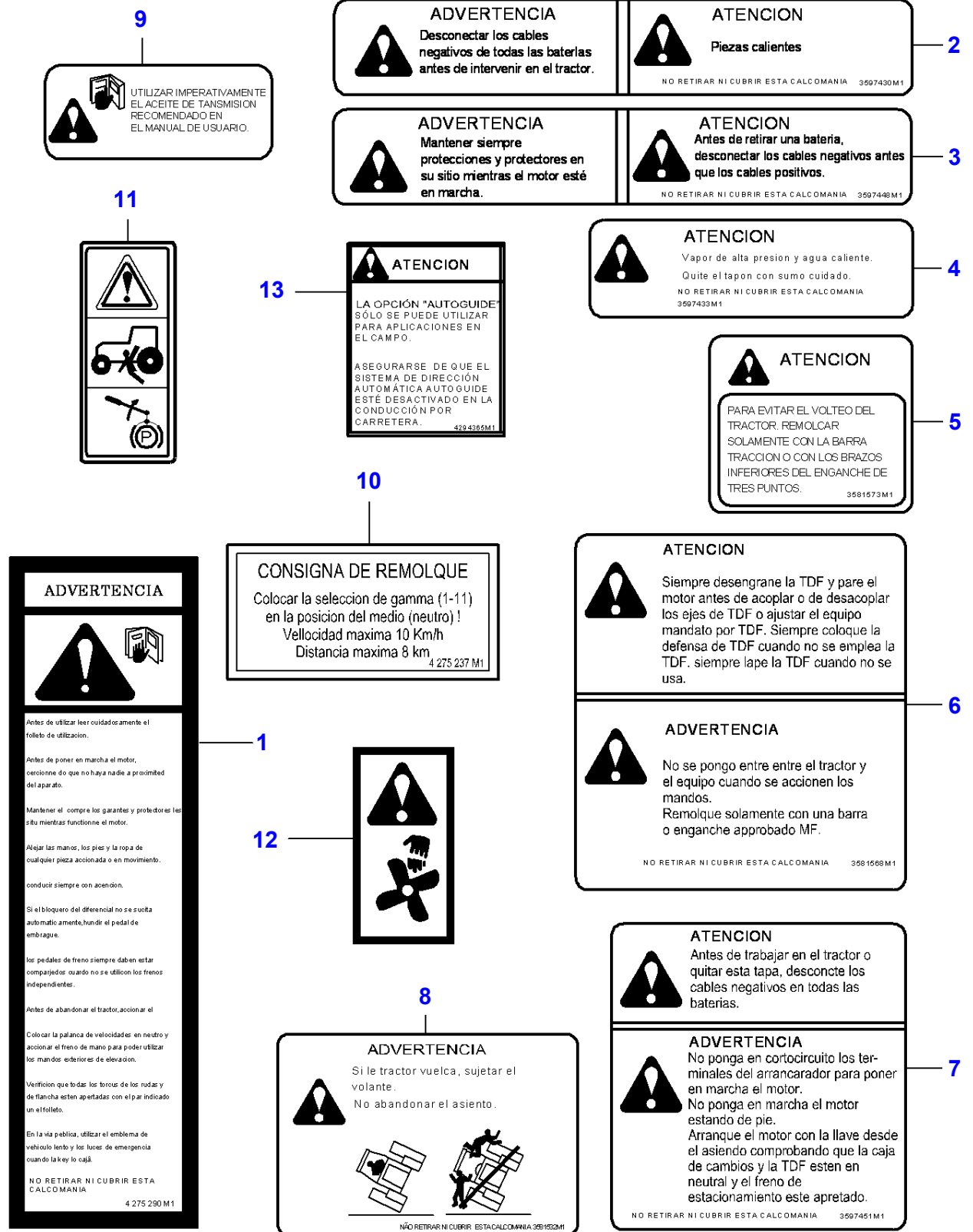


1

Decals - Safety

Item	Part Number	Qty	Description
1	3581566M1	1	Decal
2	4275289M1	1	Decal
3	3581533M2	1	Decal
4	3782489M1	1	Decal
5	4271915M1	1	Decal
6	4275236M1	1	Decal
7	3581571M2	1	Decal
8	3713701M1	1	Decal
9	3597447M1	1	Decal
10	3597450M2	1	Decal
11	3597432M1	1	Decal
12	3597429M1	1	Decal

1-WR13-035-B



Massey Ferguson**MF 8470/8480 TRACTOR (TIER 3) - 3906071****3906071****Decals - Safety - For Spanish****Page 100-0070**

Item	Part Number	Qty	Description
1	4275290M1	1	Decal
2	3597430M1	1	Decal
3	3597448M1	1	Decal
4	3597433M1	1	Decal
5	3581573M2	1	Decal
6	3581568M1	1	Decal
7	3597451M2	1	Decal
8	3581532M1	1	Decal
9	3713702M1	1	Decal
10	4275237M1	1	Decal
11	3782489M1	1	Decal
12	4271915M1	1	Decal
13	4294365M1	1	Decal

MF 8470/8480 TRACTOR (TIER 3) - 3906071
1-WR13-030-B

1-WR13-030-B

WARNING

Urkoppla alltid kraftuttaget och stanna motorn före till- och fränkoppling av kraftöverföringsaxlar eller vid arbete på kraftuttagsdriven maskin.

Montera alltid skyddskåpan över kraftuttagela axeltapp, då kraftuttaget inte används.

CAUTION

Stå aldrig mellan traktor och utrustning vid manövrering av manöverorganen.

Använd endast av M.F. godkänd dragstång eller lyftoragrok vid bogsering.

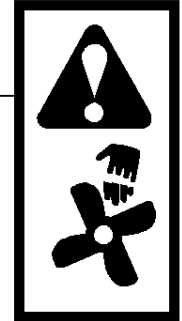
TA INTE BORT ELLER FÖRSTÖR DEKALEN.

ADVARSEL

TILLVALET "AUTOGUIDE" KAN ANVÄNDAS ENDAST VID FJLTARBETE.

KONTROLLERA ATT AUTOGUIDE-SYSTEMET ÄR AVAKTIVERAT VID TRANSPORTARBETE.

429-4369M1



WARNING

Koppta loss batteriernas jordkabler(-) innan något arbete påbörjas på traktorn eller detta skydd tas bort.

WARNING

Starta aldrig motorn genom att kortsluta startmotorns poler.

slå inte vid sidan av traktorn och starta motorn.

Sitt alltid på sätet vid start av motorn och använd startnyckeln. Se till att parkeringsbromsen är dragen och att vaxellådan och kraftuttaget är i neutralläge.

TA INTE BORT ELLER FÖRSTÖR DEKALEN.

WARNING

Håll fast i ratten (handtaget) om traktorn stjalper
HOPPA EJ!

TA INTE BORT ELLER FÖRSTÖR DEKALEN.

CAUTION

TO AVOID POSSIBLE TRACTOR OVERTURN. PULL ONLY FROM DRAWBAR OR LOWER LINKS OF THREE POINT HITCH

2752579M1

WARNING

High pressure steam and hot water

Remove filter cap with extreme care.

DO NOT REMOVE OR OBSCURE DECAL 3595685M1

IT IS IMPERATIVE TO USE THE TRANSMISSION OIL RECOMMENDED IN THE OPERATING MANUAL.

3713 699M1

STARTINSTRUKTION

Sljut in stoppreglaget. Ge full gas vid alla starter. Släpp gasreglaget efter start.

Varmt väder eller varm motor
Vrid till läge S.

Kallt väder eller kall motor
Vrid till läge H. Håll kvar i 15-20 sek. vrid sedan till läge H+S. Om motorn inte startar inom 15 sek. vrid tillbaka till läge H. Håll kvar i 10 sek. vrid sedan till läge H+S. När motorn startat, vrid tillbaka till läge H. Håll kvar i max 15 sek, tills motorn går jämnt.

VIKTIGT

Om motorn inte startar, varta tills startmotorn stannat före nästa startförsök.

BOGSEINGSANVISNINGAR

I mittenläge (neutraläge)
Max hastighet 10 Km/tim
Max sträcka 8 km

4 275 233 M1

VARNING

Före användning, läs noggrant igenom instruktionsboken.

Innan motorn startas: igång, försäkra dig om att ingen person befinner sig i apparatens närhet.

Håll alltid alla skydd, anordningar och säkerhetsåtgärder på plats så länge motorn är på.

håll händerna, fötterna och kläderna borta från drivna delar och delar i rörelse.

Kör alltid försiktigt.

Om differentialdrevet kör fast och inte kommer loss automatiskt, tryck ner kopplingspedalen.

Använd båda broms pedalerna samtidigt när du inte använder de fristående bromsarna.

Innan du lämnar traktorn, dra åt handbromsen, säk ner arbetsredskapet, stanna motorn och dra ur kontaktnyckeln.

Innan du kopplar till ett arbetsredskap, slå upp instruktionsboken och sök efter alla max belastning på fram- och bakaxlarna.

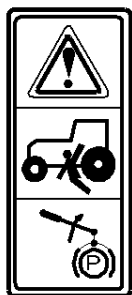
Sätt vaxelkåpan i neutralläge och dra åt handbromsen för att kunna använda edema lyftkontroller.

Kontrollera att hjulmuttrarna och fälgbultarna är åtdragna till det moment som står i instruktionsboken.

På allmän väg, använd skyllan för långsamt fordon och slå på varningsblinkers när lagen kopplingspedalen påjeder det.

TA INTE BORT ELLER FÖRSTÖR DEKALEN.

4 275 286 M1



WARNING

Before working on the tractor, disconnect negative leads to all batteries.

WARNING

Before removing any battery, disconnect all negative leads before positive leads.

DO NOT REMOVE OR OBSCURE DECAL 3595679M1

CAUTION

Keep all shields, covers and guards fastened in place while engine is running.

WARNING

Beware hot parts

DO NOT REMOVE OR OBSCURE DECAL 3595678M1


Decals - Safety

Item	Part Number	Qty	Description
1	3618264M1	1	Decal
2	4275286M1	1	Decal
3	4275233M1	1	Decal
4	4271915M1	1	Decal
5	3713699M1	1	Decal
6	3595685M1	1	Decal
7	2752579M1	1	Decal
8	3595679M1	1	Decal
9	3595678M1	1	Decal
10	3782489M1	1	Decal
11	3618260M1	1	Decal
12	3618261M1	1	Decal
13	3618262M1	1	Decal
14	4294369M1	1	Decal

1-WR13-036-B

1

ADVARSEL



Læs instruktionsbogen inden ibrugtagning

Se efter, at der ikke befinder sig nogen i nærheden af maskinen, før motoren sættes i gang.

Sørg for, at skaermene og sikkerhedsflissemæringer altid sidder på plads, når motoren går.

Hold hænder, fødder og tøj væk fra drevene, elementer eller elementer i bevægelse.

Vær altid opmærksom under kørslen.

Traed koblingspedalen ned, hvis differentialsperren ikke kobler fra automatisk.

Bremspedalerne skal altid være sammenkoblet, når de uafhængige bremses ikke bruges.

Træk håndbremsen, sænk redskabet, slæb motoren, og tag nøglen ud, inden traktoren forlades.

Sla op i instruktionsbogen for at kontrollere de høje tillade belastninger på for- og bagaksel, for redskabet tilkobles.

Sæt køregeerstangen i ffigear, og træk håndbremsen for at kunne bruge de udvendige tilføjelsesanordninger.

Se efter, at alle hjul- og feltnødder er spændt til der i instruktionsbogen søfarte moment.

På offentlig vej skal der anvendes skilt med langsomt køretøj og havariblink, når loven kræver det.

DETTE MÆRKAT MÅ IKKE TILDÆKES ELLER FJERNES

4 275 291M1

2


DET ER FOR DERES SKYLD !
SKAERMENE ER MONTERET
LAD DEM BLIVE PÅ PLADS

MD 12 MA IKKE TILDÆKES ELLER FJERNES 3715084M1

ADVARSEL
Træk kun fra trækbohm eller liftarme.

MA IKKE TILDÆKES ELLER FJERNES 3715011M1

ADVARSEL



Sta ikke mellem redskab og traktor ved betjening af hydraulikhandtag.

MA IKKE TILDÆKES ELLER FJERNES 3715072M1

3


REGLER FOR BUGSERING/ANHÆNGERTRÆK

Set omrdevelren (1-11) i midterstilling (frigeaar) i Max hastighed 10 Km/i Max strekning 8 km

4 275 238 M1

4

7



6


8

ADVARSEL

FOR TILKOBLING, JUSTERING ELLER ARBEJDE PÅ PTO TRUKNE REDSKABER **SKAL** PTO UDTAG FRAKOBLES OG MOTOREN STOPPES

MA IKKE TILDÆKES ELLER FJERNES 3715012M1

9



12

Fare ved El-svejsning

Ved elektro-svejsning skal batterikablerne først aftages, da motorens vekselstrøms-dynamo ellers edelægges. Dette gælder også ved svejsning af pæmontarade redskaber.

MA IKKE TILDÆKES ELLER FJERNES 3715088M1

13

ADVARSEL
Varmt vand under tryk fjern dækslat med forsigtighed.

MA IKKE TILDÆKES ELLER FJERNES 3715083M1

14

ADVARSEL
VED VÆLTNING HOLD DA FAST I RATTET SPRING IKKE AF

FORERHUSET GODKENDT AF DIREKTORATET FOR ARBEJDSSTILSYNET

MA IKKE TILDÆKES ELLER FJERNES 3715067M1

5

ADVARSEL
Start **ALDRIG** motoren ved kortslutning af starter.

MA IKKE TILDÆKES ELLER FJERNES 3715068M1

10

FORSIKTIG

FUNKTIONEN "AUTOGUIDE" KAN KUN ANVENDES VED MARKARBEJDE:

SØRG FOR, AT AUTOSTYRINGSSYSTEMET ER DEAKTIVERET VED KØRSEL PÅ VEJ,

428 4582M1

11

ADVARSEL
For arbejde på traktoren afmonteres stikabel(er) på batteri(er).

ADVARSEL
Ved demontering af batteri afmonteres stikabel **ALTID** først.


MA IKKE TILDÆKES ELLER FJERNES 3715065M1

Decals - Safety - Denmark

Item	Part Number	Qty	Description
1	4275291M1	1	Decal
2	3715064M1	1	Decal
3	4275238M1	1	Decal
4	3715011M1	1	Decal
5	3715069M1	1	Decal
6	3715072M1	1	Decal
7	4271915M1	1	Decal
8	3715012M1	1	Decal
9	3782489M1	1	Decal
10	3715067M1	1	Decal
11	3715065M1	1	Decal
12	3715068M1	1	Decal
13	3715063M1	1	Decal
14	4294362M1	1	Decal

1-WR13-037-A

ADVARSEL



Før du bruker traktoren må du lese brukerveiledningen grundig.

Før du setter motoren i gang må du kontrollere at det ikke befinnes seg noen i nærheten av apparatet.

Føringssene og beskyttelsesnett må alltid holdes på plass når motoren går.

Hold hender, føtter og klær unna alle deler som feres med eller av i bevegelse.

Utvris alltid værvarsel når du kjører.

Etvis differensialsperreren ikke kople seg ut automatisk, må du trykke inn klappspedalen.

Bremsepedalene må alltid dobbel når det ikke brukes uvbelegte bremsen.

Før du forlater traktoren trekker du til håndbremsen, senker lasteremset, stanser motoren og trekker ut nøkkelten.

Før du kople til et instrument må du sjekke maksimalt for- og baklastertrykk i brukerveiledningen.

Sett gir til nøytral og trekk til håndbremsen for å kunne bruke de utvendige luftstrykingene.

Kontroller at alle hjulmotorer og felger er bruket til med montert noen er angitt i brukerveiledningen.

På offentlig vei må du bruke symboler for langsomme kjøretøy og nedlys alle lysene før du kjører.

IKKE TA BORT ELLER DEKK TIL DETTE MERKET

4 275 292 M1

2

SLEPEINSTRUKSJON

Sett omrdevalget (1-11) i midstilling (nøytral) !

Maks hastighet 10 Km/t

Maks distanse 8 km

4 275 239 M1

4

FORSIKTIG

Varmt vann og damp under trykk. Påfyllingslokket må fjernes med den aller største forsiktighet. IKKE FJERN ELLER TILDEKK DETTE MERKET 3715 583 M1

5

FORSIKTIG

TREKK BARE FRA TREKKBOM ELLER TREKKESTENGER SLIK AT TRAKTOREN IKKE KAN TIPPE RUNDT. IKKE FJERN ELLER TILDEKK DETTE MERKET 3715588M1

9

DET ER HELT NØDVENDIG Å BRUKE DEN TRANSMISJONSOLJEN SOM ER BESKREVET I INSTRUKSJONS-BOKEN. 3715591 M1

ADVARSEL

Hvis traktoren velter, hold fast i rattet og forsøk ikke å hoppe av.



IKKE FJERN ELLER TILDEKK DETTE MERKET 3715589 M1

7

8





ADVARSEL

Fjern minusledningene til alle batteriene før dette dekslet fjernes, eller arbeid igangsettes på traktoren.



FORSIKTIG

Start aldri motoren ved å kortslutte starteren. Start aldri motoren fra utsiden av førerhuset. Sitt alltid i setet, bruk startnøkkelen, sørg for at gir og kraftuttak er i nøytral og parkeringsbremsen tiltrukket når traktoren startes.

IKKE FJERN ELLER TILDEKK DETTE MERKET 3715 590M1

10

6

FORSIKTIG

Ta av den negative ledningen på alle batteriene, før du utfører arbeide på traktoren.

FORSIKTIG

Når du skal ta av et batteri, ta først av alle negative ledninger før de positive.

IKKE FJERN ELLER TILDEKK DETTE MERKET 3715584 M1

11

FORSIKTIG

Ha alle vernebeskyttere i orden og på plass når motoren er igang.

ADVARSEL

Varmt!

IKKE FJERN ELLER TILDEKK DETTE MERKET 3715585 M1

12

ADVARSEL

Kople alltid fra kraftuttaket og stopp motoren ved til- eller frakopling av kraftoverføringsaksel, eller ved arbeid på kraftoverføringsakselen er skikkelig tilkople og har tilstrekkelig overlapping. Skru på beskyttelseshylen når kraftuttak ikke er i bruk.

FORSIKTIG

Stå ikke mellom traktor og redskap når hydraulikken betjenes. Tauing/sleping må kun gjøres i trekkroken.

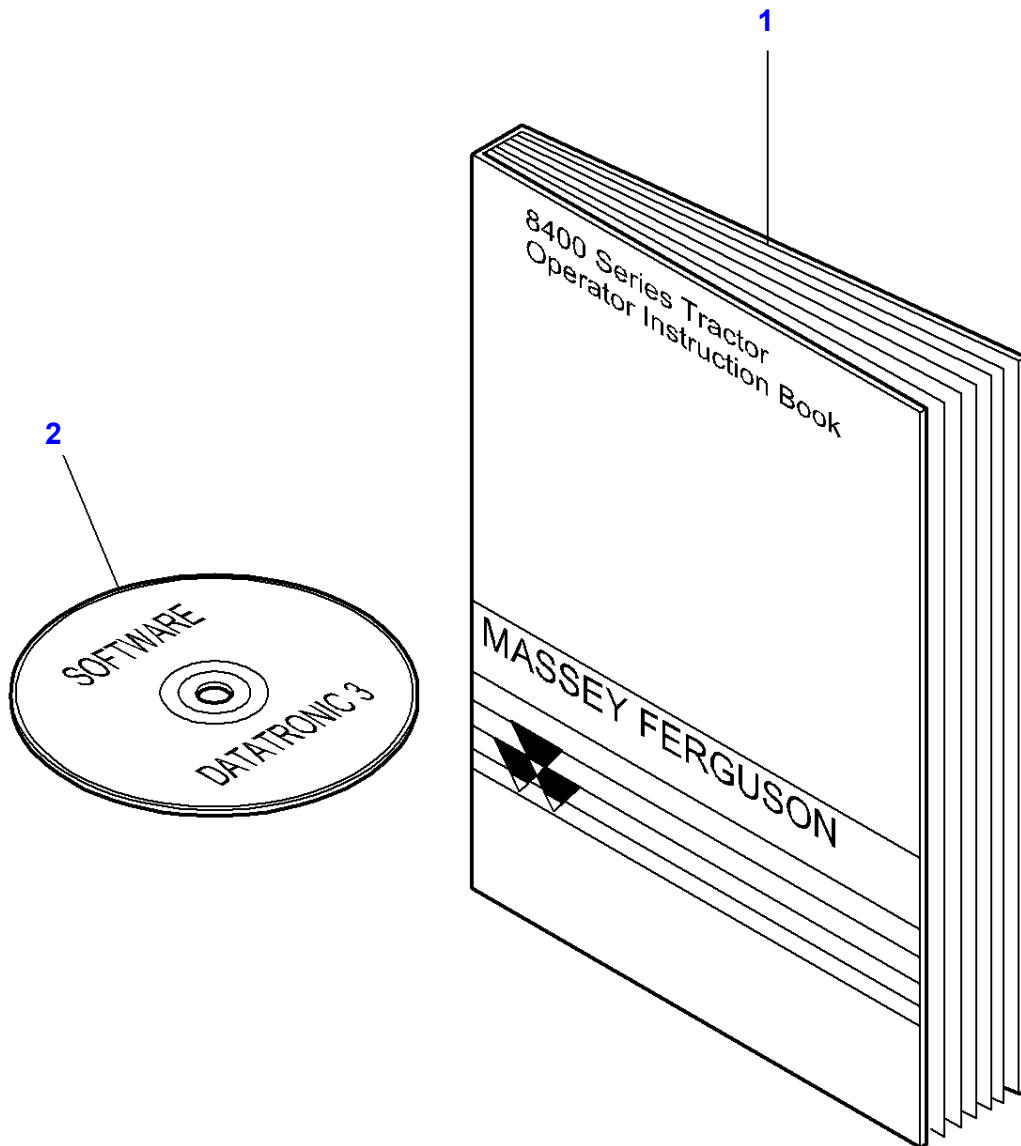
IKKE FJERN ELLER TILDEKK DETTE MERKET 3715587 M1

1

Decals - Safety

Item	Part Number	Qty	Description
1	3715587M1	1	Decal
2	4275292M1	1	Decal
3	4275239M1	1	Decal
4	3715583M1	1	Decal
5	3715588M1	1	Decal
6	4271915M1	1	Decal
7	3715589M1	1	Decal
8	3782489M1	1	Decal
9	3715591M1	1	Decal
10	3715590M1	1	Decal
11	3715584M1	1	Decal
12	3715585M1	1	Decal

1-WR06-009-B

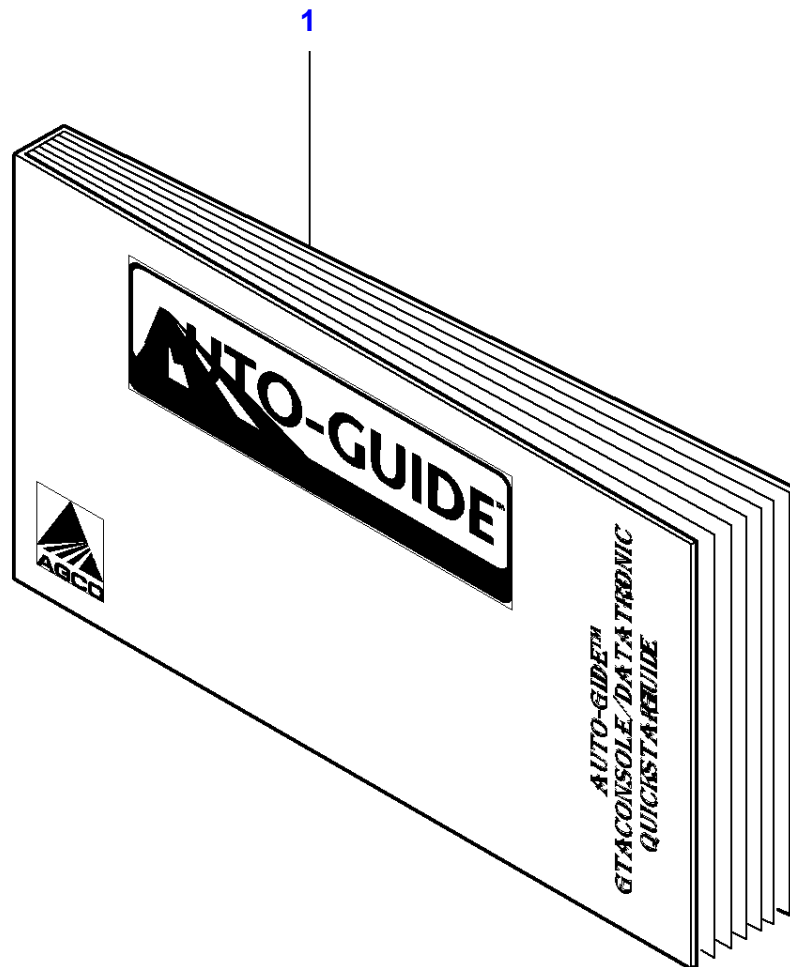


Literature

Item	Part Number	Qty	Description	Comments
1	3378885M1	1	Instruction Book	
	3378886M1	1	Instruction Book	
	3378887M1	1	Instruction Book	
	3378889M1	1	Instruction Book	
	3378888M1	1	Instruction Book	
	3378890M1	1	Instruction Book	
	3378891M1	1	Instruction Book	
	3378892M1	1	Instruction Book	
	4315206M1	1	Instruction Book	[A] 08-MAR-2007 27-NOV-2007
	4315229M1	1	Instruction Book	[A] 28-NOV-2007
	4315207M1	1	Instruction Book	[A] 08-MAR-2007 27-NOV-2007
	4315227M1	1	Instruction Book	[A] 28-NOV-2007
	4315209M1	1	Instruction Book	[A] 08-MAR-2007 27-NOV-2007
	4315232M1	1	Instruction Book	[A] 28-NOV-2007
	4315210M1	1	Instruction Book	[A] 08-MAR-2007 27-NOV-2007
	4315230M1	1	Instruction Book	[A] 28-NOV-2007
	4315211M1	1	Instruction Book	[A] MF 8480 08-MAR-2007 27-NOV-2007
	4315226M1	1	Instruction Book	[A] MF 8480 28-NOV-2007
	4315212M1	1	Instruction Book	[A] 08-MAR-2007 27-NOV-2007
	4315231M1	1	Instruction Book	[A] 28-NOV-2007
	4315213M1	1	Instruction Book	[A] MF 8470 08-MAR-2007 27-NOV-2007
	4315233M1	1	Instruction Book	[A] MF 8470 28-NOV-2007
	4315214M1	1	Instruction Book	[A] MF 8480 08-MAR-2007 27-NOV-2007
	4315234M1	1	Instruction Book	[A] MF 8480 28-NOV-2007
2	72570001	1	Software	[A]

FOOTNOTE [A] WITH DATATRONIC "3"

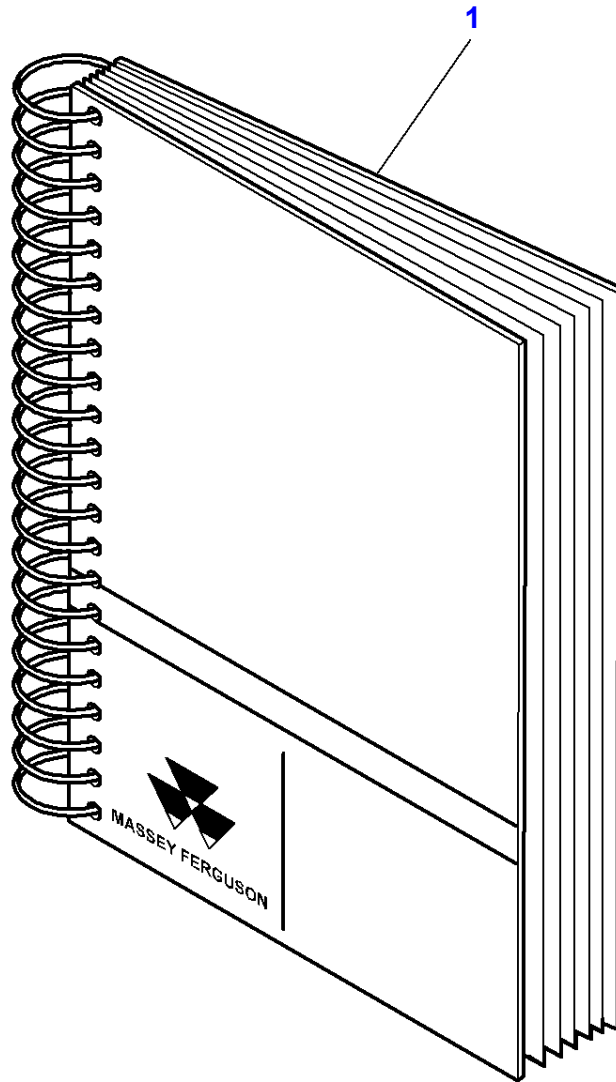
1-WR06-021-A



Massey Ferguson**MF 8470/8480 TRACTOR (TIER 3) - 3906071****3906071****Literature - WITH "AUTO-GUIDE"****Page 100-0095**

Item	Part Number	Qty	Description	Comments
1	4315740M1	1	Instructions	GERMAN
	4315739M1	1	Instructions	ENGLISH
	4315738M1	1	Instructions	FRENCH
	4315741M1	1	Instructions	SPANISH
	4315743M1	1	Instructions	DANISH
	4315745M1	1	Instructions	SWEDISH

1-WR06-016-A

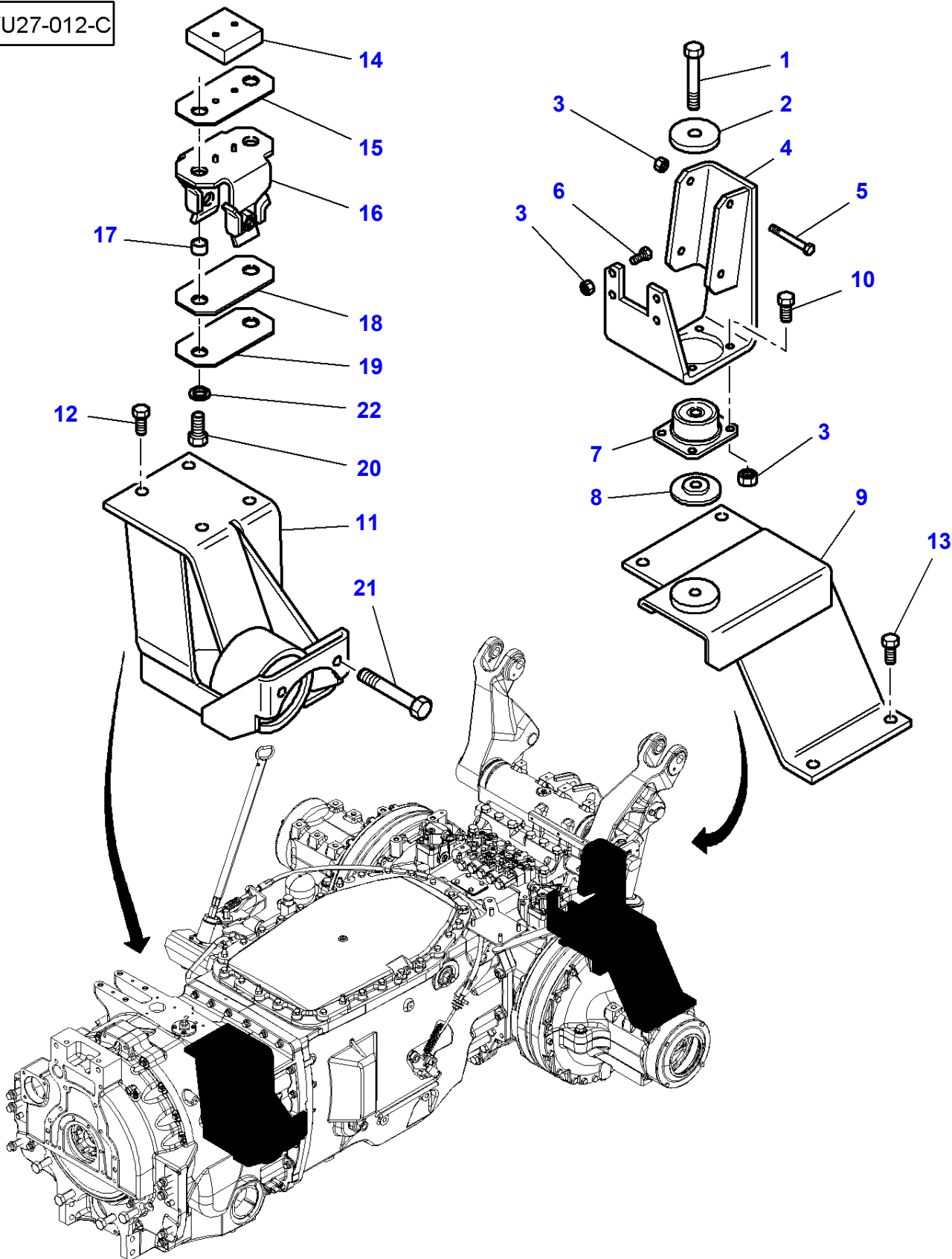


Literature

Item	Part Number	Qty	Description	Comments
1	4315749M1	1	Instruction Book	[B] FRENCH
	4315750M1	1	Instruction Book	[B] ENGLISH
	4315752M1	1	Instruction Book	[B] GERMAN
	4315753M1	1	Instruction Book	[B] SPANISH
	4315755M1	1	Instruction Book	[B] DANISH
	4315757M1	1	Instruction Book	[B] SWEDISH

FOOTNOTE [B] AUTOGUIDE

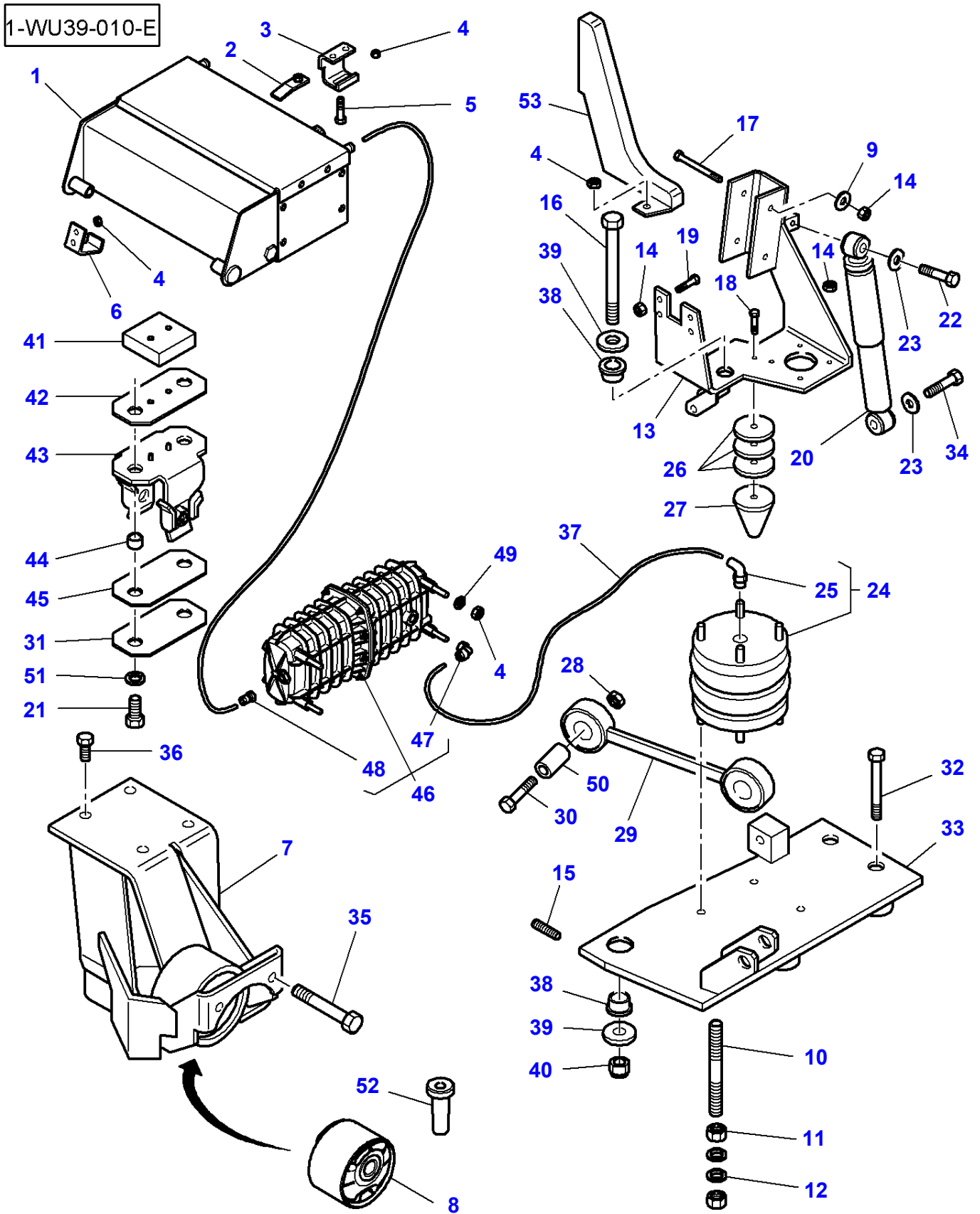
1-WU27-012-C



Cab Mountings

Item	Part Number	Qty	Description	Comments
1	339182X1	2	Bolt	M16 X 90
2	3712809M2	2	Spacer	17-72 X 8
3	339402X1	20	Nut	M10
4	3786991M3	1	Foot	
	3786992M3	1	Foot	
5	339234X1	4	Hex. Sock. Screw	M10 X 120
6	3009493X1	8	Bolt	M10 X 30
				10-SEP-2006
	3009494X1	8	Bolt	M10 X 35
				11-SEP-2006
7	3712693M1	2	Vibration Mount	2000N
8	3388272M1	2	Washer	17-38-75
9	4274927M2	1	Support	
	4274928M1	1	Support	
10	3009492X1	8	Cap Screw	M10 X 25
11	4276062M96	1	Support	
	4276063M96	1	Support	
12	339275X1	8	Bolt	M16 X 35
13	3009132X1	4	Bolt	M16 X 50
14	4271078M1	2	Plate	
15	4274223M1	2	Plate	3 MM
				10-SEP-2006
	4288240M1	2	Plate	3 MM
				11-SEP-2006
16	4278827M92	2	Support	10-SEP-2006
	4288244M91	2	Support	11-SEP-2006
17	4274225M91	4	Spacer	10-SEP-2006
	4288200M91	4	Spacer	11-SEP-2006
18	4275620M1	2	Plate	4 MM
				10-SEP-2006
	4288241M1	2	Plate	4 MM
				11-SEP-2006
19	4279533M1	2	Plate	5 MM
20	390419X1	4	Bolt	M16 X 40
21	391914X1	2	Hex. Sock. Screw	M20 X 110
22	1443769X1	4	Washer	P203040
				17-27 X 2

MF 8470/8480 TRACTOR (TIER 3) - 3906071
1-WU39-010-E



Cab Mountings - With Suspension - Up To ...

Item	Part Number	Qty	Description	Comments
1	3787065M94	1	Control Box	110-0020
2	3789906M2	1	Support	
3	3789905M4	1	Support	
4	339169X1	12	Nut	M8 17-JUL-2006
	394367X1	X	Locknut	[A] M8
5	3010182X1	6	Hex. Sock. Screw	M8 X 20
	339761X1	1	Bolt	M8 X 25
6	3789904M2	2	Hinge	
7	4279013M93	1	Support	
	4279014M93	1	Support	
8	3786281M2	1	Toggle	(7)
9	385362X1	8	Washer	
10	3786267M1	2	Stem	M16 X 300
11	339034X1	4	Nut	M16
12	3010875X1	4	Washer	16-30 X 5
13	4274968M1	1	Foot	
	4274969M1	1	Foot	
14	339402X1	8	Nut	M10
15	4279690M1	2	Stem	M16 X 55
16	3010613X1	2	Hex. Sock. Screw	M20 X 280
17	339234X1	4	Hex. Sock. Screw	M10 X 120
18	339291X1	2	Bolt	M8 X 55
19	3009493X1	8	Bolt	M10 X 30 10-SEP-2006
	3009494X1	8	Bolt	M10 X 35 11-SEP-2006
20	4279945M1	2	Shock Absorber	
21	391120X1	4	Hex. Sock. Screw	M16 X 45
22	3009515X1	2	Hex. Sock. Screw	M12 X 80
23	391212X1	4	Washer	13-37 X 3
24	4273315M91	2	Shock Absorber	
25	4271561M1	1	Union	(24)
26	3787081M1	6	Chock	
27	4274350M1	2	Stop	
28	339034X1	4	Nut	M16
29	4273003M93	2	Linkage	
30	3019865X1	4	Bolt	M16 X 75
31	4279533M1	2	Plate	5 MM
32	390864X1	4	Hex. Sock. Screw	M16 X 80
33	4274970M1	1	Support	
	4274971M1	1	Support	
34	3009512X1	2	Bolt	M12 X 60
35	391914X1	2	Hex. Sock. Screw	M20 X 110
36	390419X1	8	Bolt	M16 X 40
37	4278783M1	2	Hydr. Hose	
38	3787068M1	4	Bearing Carrier	
39	3787069M1	4	Thrust Washer	
40	3010067X1	2	Locknut	M20
41	4271078M1	2	Plate	
42	4274223M1	2	Plate	3 MM 10-SEP-2006
	4288240M1	2	Plate	3 MM 11-SEP-2006
43	4278827M92	2	Support	10-SEP-2006
	4288244M91	2	Support	11-SEP-2006
44	4274225M91	4	Spacer	10-SEP-2006
	4288200M91	4	Spacer	11-SEP-2006
45	4275620M1	2	Plate	4 MM 10-SEP-2006
	4288241M1	2	Plate	4 MM 11-SEP-2006
46	4273332M92	2	Accumulator	2 L
47	4274577M1	1	Union	(46)
48	4273336M1	1	Union	(46)
49	390597X1	6	Flat Washer	10-30 X 2,5
50	4275897M1	4	Spacer	
51	1443769X1	4	Washer	P203040 17-27 X 2
52	3787578M1	1	Plug	

Massey Ferguson

MF 8470/8480 TRACTOR (TIER 3) - 3906071

3906071

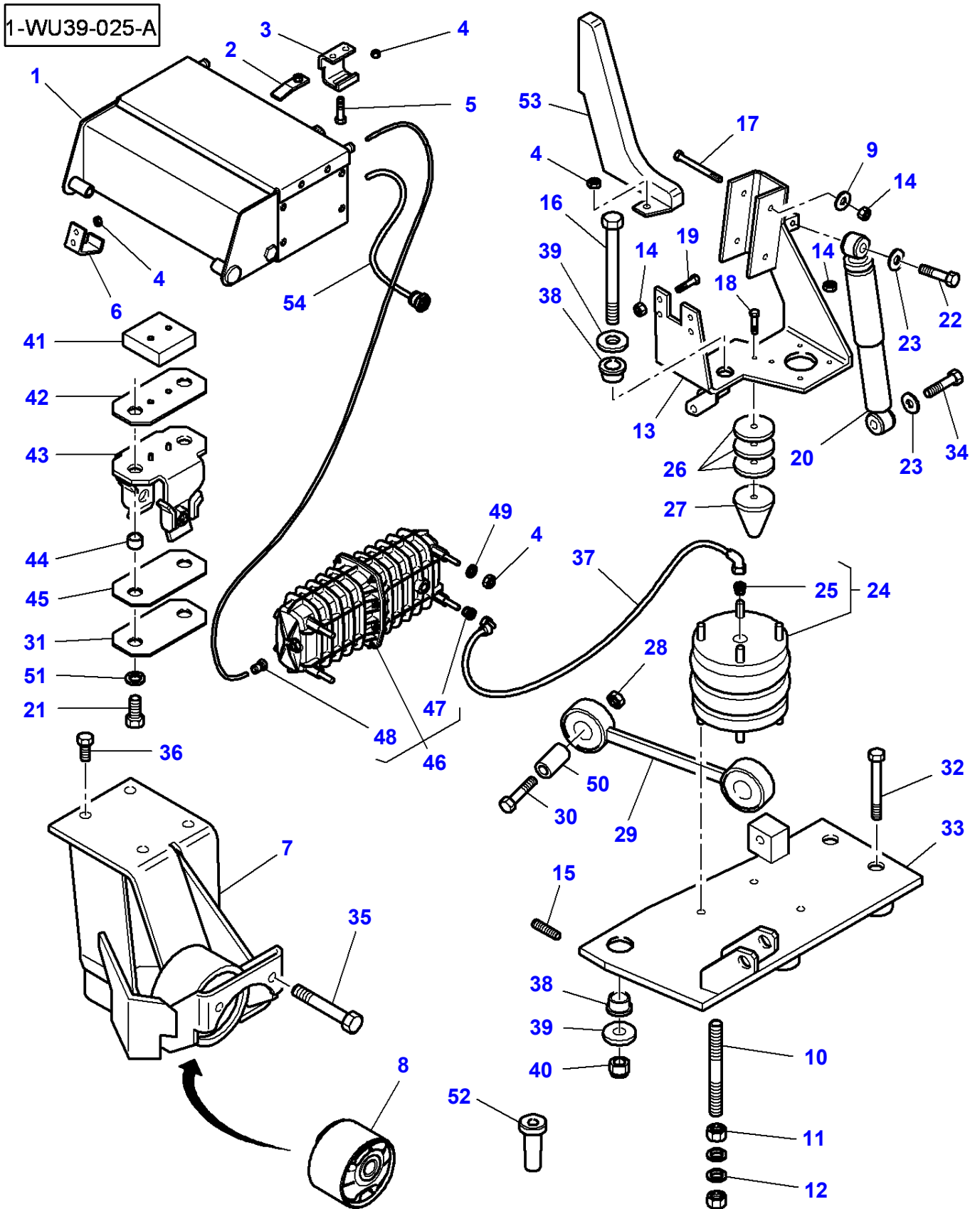
Cab Mountings - With Suspension - Up To ...

Page 110-0010

Item	Part Number	Qty	Description	Comments
53	4278784M2	1	Cowl	
53	4278785M2	1	Cowl	

FOOTNOTE [A] CHECK NUT

MF 8470/8480 TRACTOR (TIER 3) - 3906071
1-WU39-025-A



Cab Mountings - With Suspension - From ...

Item	Part Number	Qty	Description	Comments
1	3787065M94	1	Control Box	110-0020
2	3789906M2	1	Support	
3	3789905M4	1	Support	
4	339169X1	12	Nut	M8 17-JUL-2006
	394367X1	X	Locknut	[A] M8
5	3010182X1	6	Hex. Sock. Screw	M8 X 20
	339761X1	1	Bolt	M8 X 25
6	3789904M2	2	Hinge	
7	4279013M93	1	Support	
	4279014M93	1	Support	
8	3786281M2	1	Toggle	(7)
9	385362X1	8	Washer	
10	3786267M1	2	Stem	M16 X 300
11	339034X1	4	Nut	M16
12	3010875X1	4	Washer	16-30 X 5
13	4274968M1	1	Foot	
	4274969M1	1	Foot	
14	339402X1	8	Nut	M10
15	4279690M1	2	Stem	M16 X 55
16	3010613X1	2	Hex. Sock. Screw	M20 X 280
17	339234X1	4	Hex. Sock. Screw	M10 X 120
18	339291X1	2	Bolt	M8 X 55
19	3009493X1	8	Bolt	M10 X 30 10-SEP-2006
	3009494X1	8	Bolt	M10 X 35 11-SEP-2006
20	4279945M1	2	Shock Absorber	
21	391120X1	4	Hex. Sock. Screw	M16 X 45
22	3009515X1	2	Hex. Sock. Screw	M12 X 80
23	391212X1	4	Washer	13-37 X 3
24	4293758M91	2	Shock Absorber	
25	4293527M1	1	Union	(24)
26	3787081M1	6	Chock	
27	4274350M1	2	Stop	
28	339034X1	4	Nut	M16
29	4273003M93	2	Linkage	
30	3019865X1	4	Bolt	M16 X 75
31	4279533M1	2	Plate	5 MM
32	390864X1	4	Hex. Sock. Screw	M16 X 80
33	4274970M1	1	Support	
	4274971M1	1	Support	
34	3009512X1	2	Bolt	M12 X 60
35	391914X1	2	Hex. Sock. Screw	M20 X 110
36	390419X1	8	Bolt	M16 X 40
37	4290472M1	1	Hydr. Hose	
	4292794M1	1	Hydr. Hose	
38	3787068M1	4	Bearing Carrier	
39	3787069M1	4	Thrust Washer	
40	3010067X1	2	Locknut	M20
41	4271078M1	2	Plate	
42	4274223M1	2	Plate	3 MM 10-SEP-2006
	4288240M1	2	Plate	3 MM 11-SEP-2006
43	4278827M92	2	Support	10-SEP-2006
	4288244M91	2	Support	11-SEP-2006
44	4274225M91	4	Spacer	10-SEP-2006
	4288200M91	4	Spacer	11-SEP-2006
45	4275620M1	2	Plate	4 MM 10-SEP-2006
	4288241M1	2	Plate	4 MM 11-SEP-2006
46	4293526M91	2	Accumulator	2 L
47	4293527M1	1	Union	(46)
48	4273336M1	1	Union	(46)
49	390597X1	6	Flat Washer	10-30 X 2,5
50	4275897M1	4	Spacer	
51	1443769X1	4	Washer	P203040 17-27 X 2

Massey Ferguson

MF 8470/8480 TRACTOR (TIER 3) - 3906071

3906071

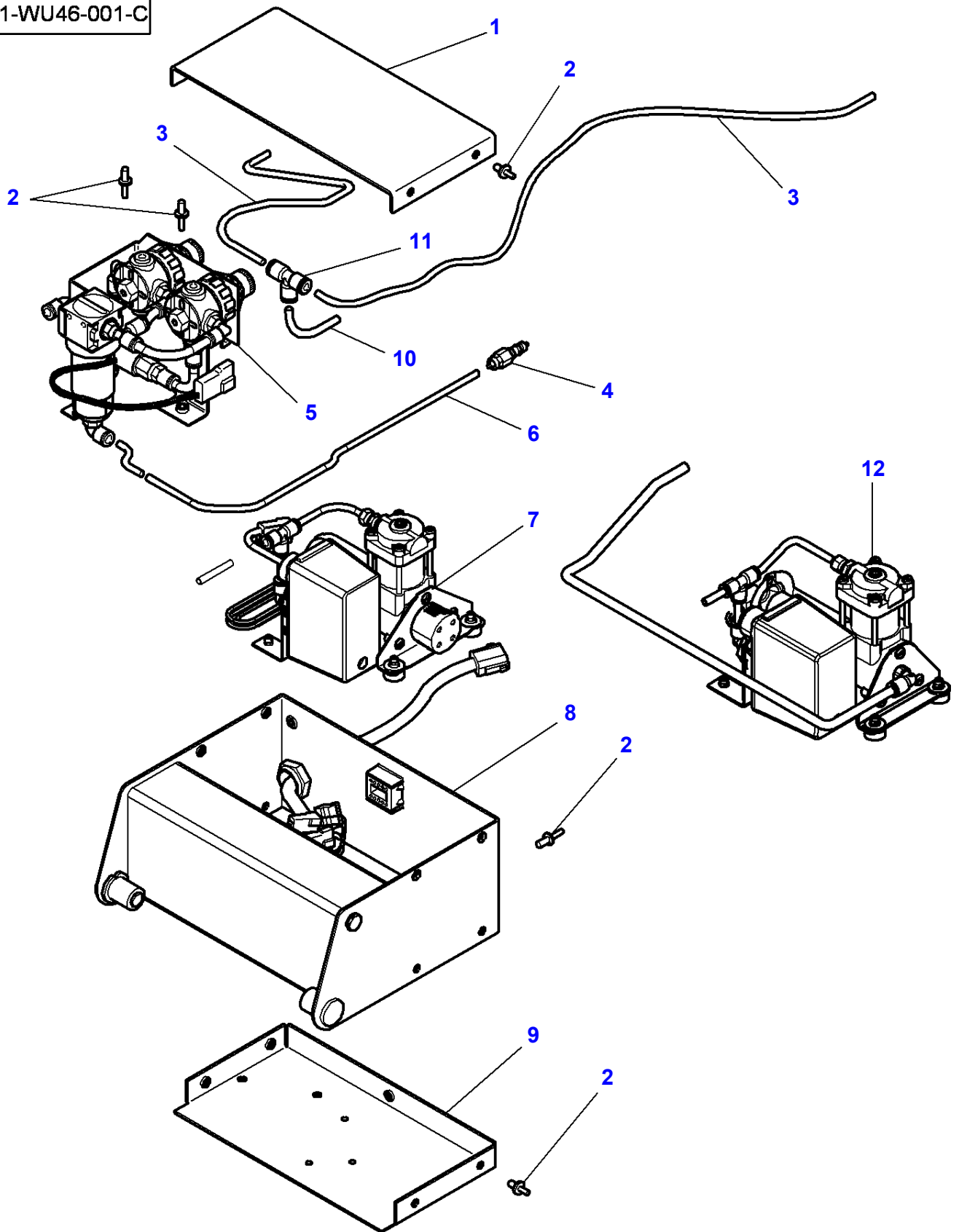
Cab Mountings - With Suspension - From ...

Page 110-0015

Item	Part Number	Qty	Description	Comments
52	3787578M1	1	Plug	
53	4278784M2	1	Cowl	
53	4278785M2	1	Cowl	
54	4288283M91	1	Filter	

FOOTNOTE [A] CHECK NUT

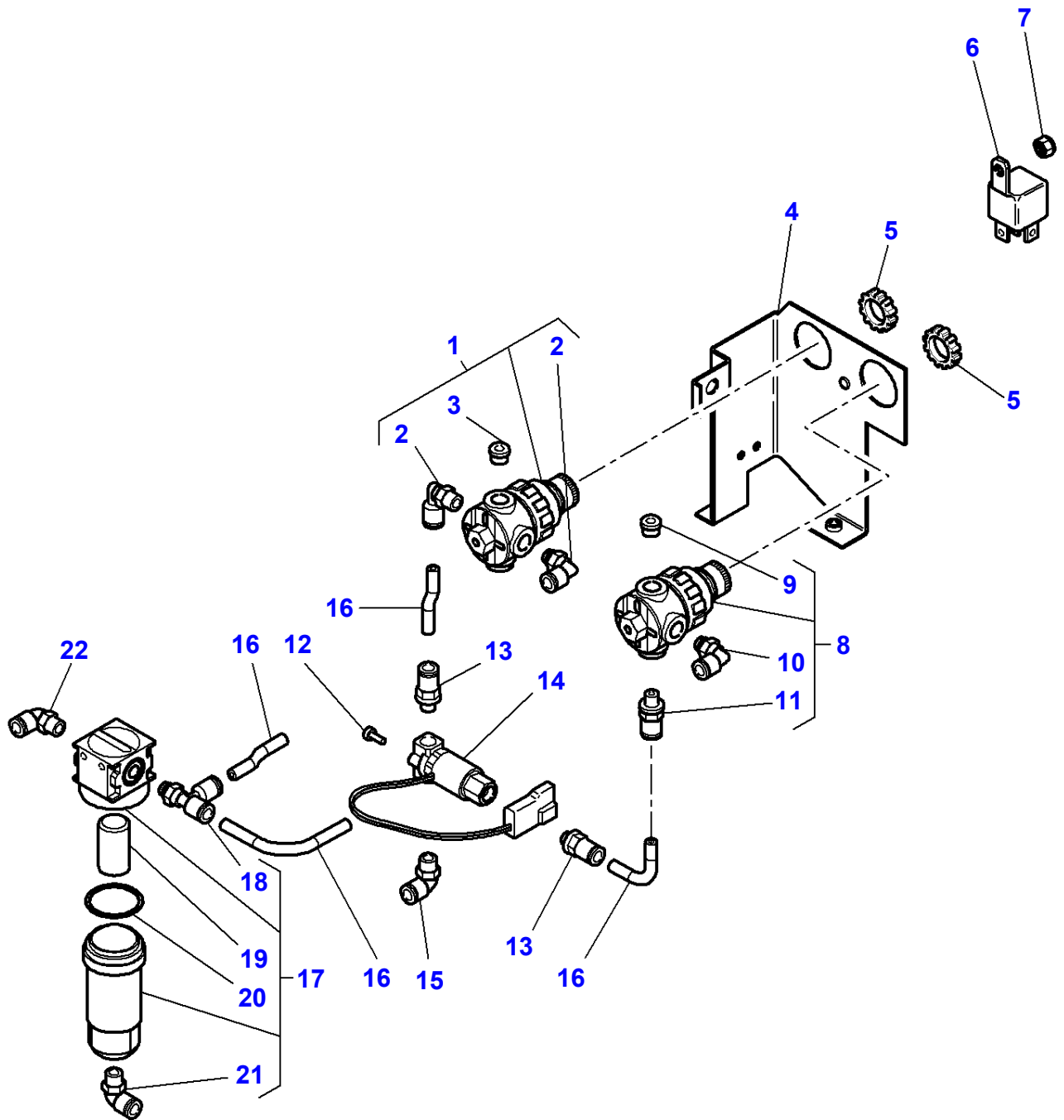
1-WU46-001-C



Massey Ferguson**MF 8470/8480 TRACTOR (TIER 3) - 3906071****3906071****Suspended Cab Control Unit****Page 110-0020**

Item	Part Number	Qty	Description	Comments
1	4275950M1	1	Cover	
2	3007920X1	11	Screw	M6 X 12
3	4274331M1	2	Pipe	630 MM
4	4275874M91	1	Blow Off Valve	
5		1	Kit, Air Cleaner	110-0025
6	4275963M1	1	Pipe	
7		1	Compressor	110-0030
				...
8		1	Air Tank	110-0040
				...
		1	Air Tank	110-0045
				...
9	4275951M1	1	Plate	
10		1	Tail Pipe	REF. 6
11	4275947M1	1	Union	
12		1	Compressor	110-0035
				...

1-WU46-005-A

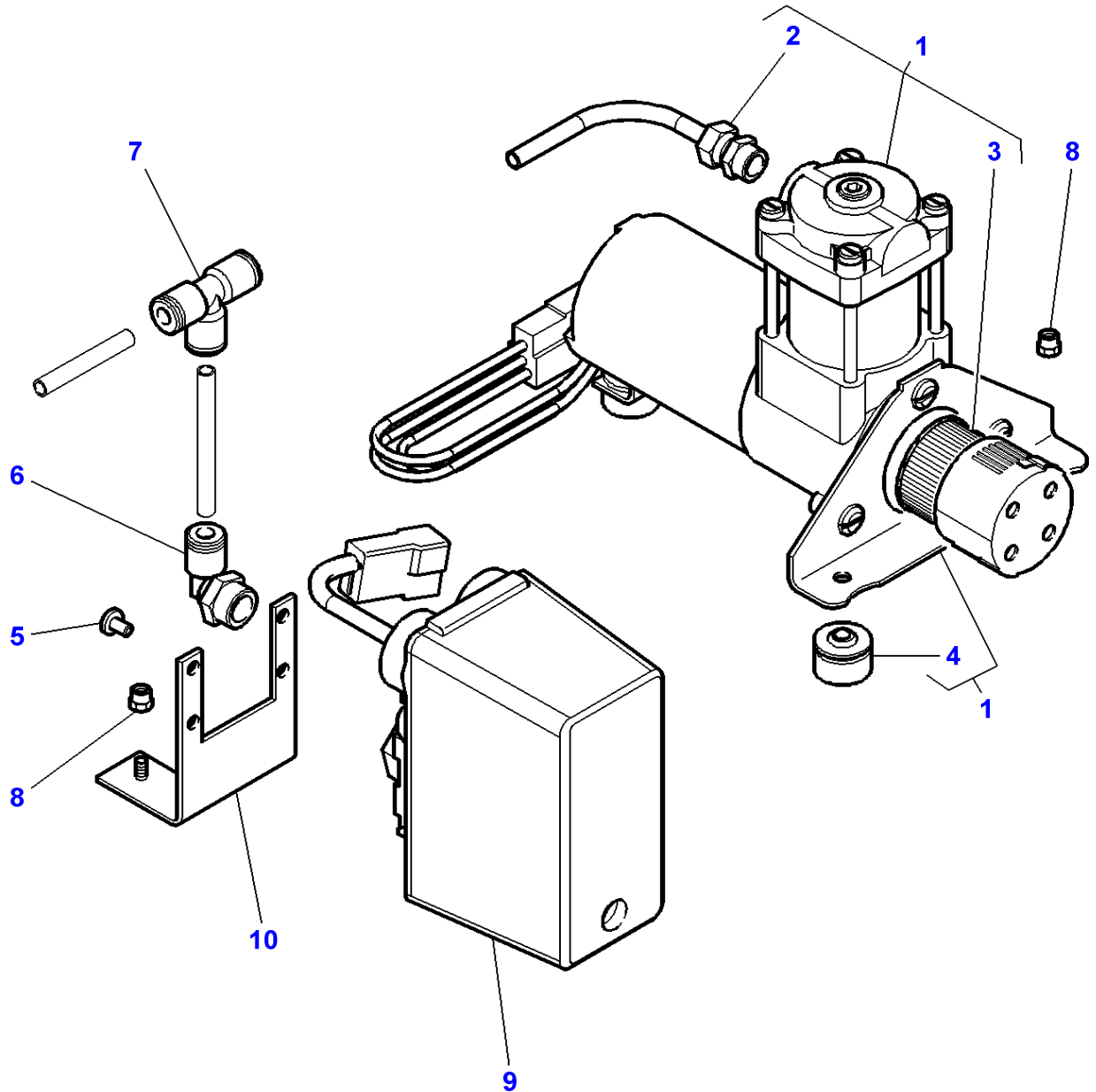


Massey Ferguson**MF 8470/8480 TRACTOR (TIER 3) - 3906071****3906071****Suspended Cab Control Unit - Pressue Regulator And Filter****Page 110-0025**

Item	Part Number	Qty	Description	Comments
1	4275825M92	1	Regulator	2,65 Bars
2	3907585M1	2	Union	(1) 1/8"- 6/4
3	4275909M1	1	Plug	(1) 1/8"
4	4275921M1	1	Plate	
5	3907551M1	2	Nut	
6	4275922M1	1	Relay	
7	3019139X1	1	Nut	
8	4275824M92	1	Regulator	2,10 Bars
9	4275909M1	1	Plug	(8) 1/8"
10	3907585M1	1	Union	(8) 1/8"- 6/4
11	3907586M1	1	Union	(8) 1/8"- 6/4
12	3019880X1	2	Screw Metric	M4 X 12
13	3907586M1	2	Union	
14	4275916M1	1	Electrovalve	
15	3907585M1	1	Union	
16	4275963M1	X	Pipe	[A] 1135 mm
17	4275814M91	1	Filter	
18	4275914M1	1	T-Piece	(17)
19	4276397M1	1	Filter Element	(17)
20	4276396M1	1	O Ring	(17)
21	3907585M1	1	Union	(17)
22	3907585M1	1	Union	

FOOTNOTE [A] CUT TO REQUIRED LENGTH

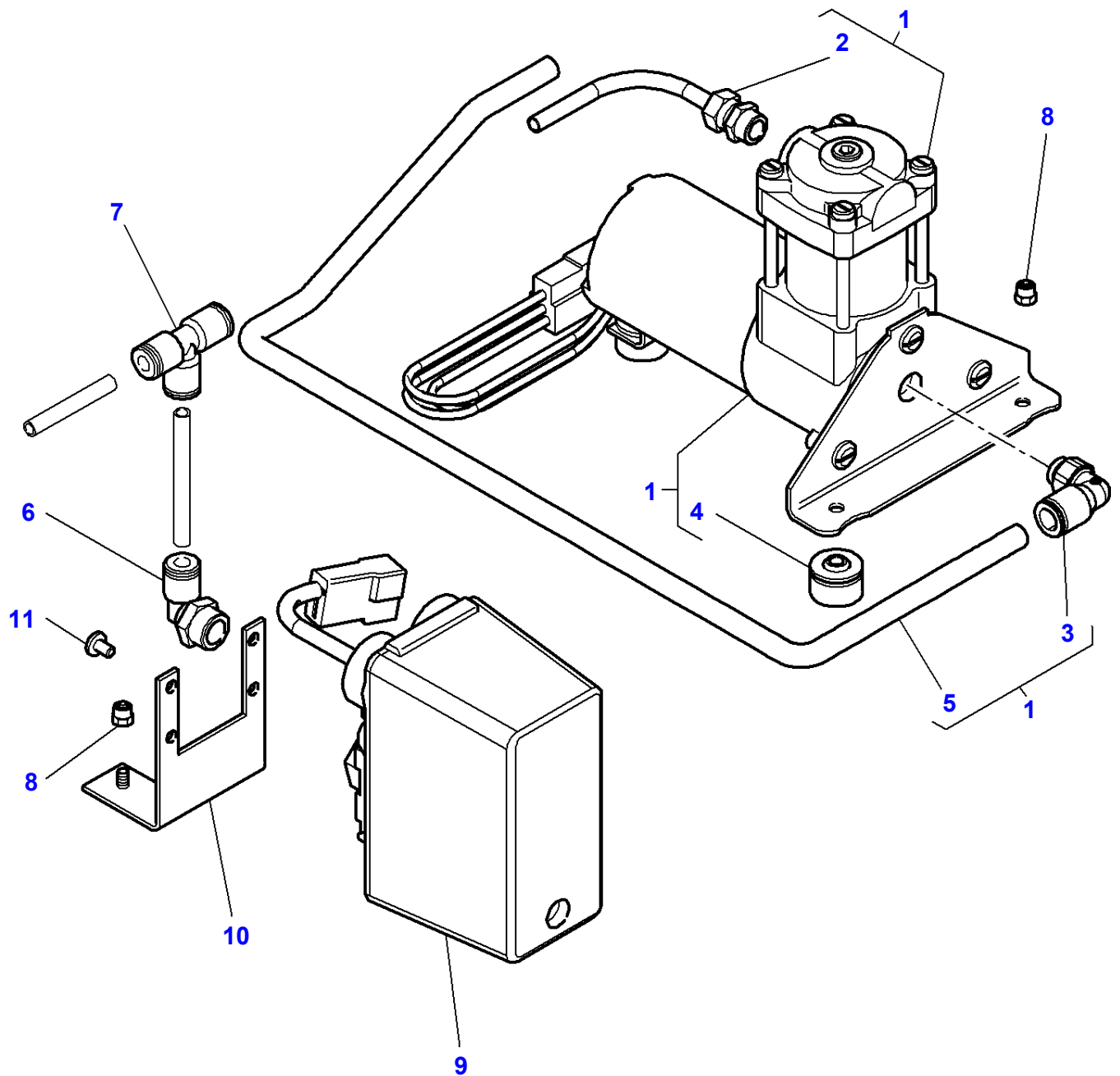
1-WU46-003-B



Massey Ferguson**MF 8470/8480 TRACTOR (TIER 3) - 3906071****3906071****Suspended Cab Control Unit - Compressor - Up To ...****Page 110-0030**

Item	Part Number	Qty	Description	Comments
1	4275812M91	1	Compressor	
2	4277531M91	1	Tube	(1)
3	4277532M91	1	Filter	(1)
4	4275977M1	2	Vibration Mount	(1)
5	3009530X1	2	Screw	M4 X 8
6	4275942M1	1	Union	
7	4275947M1	1	Union	
8	3019139X1	5	Nut	
9	4275943M91	1	Regulator	
10	4275944M1	1	Angle.	

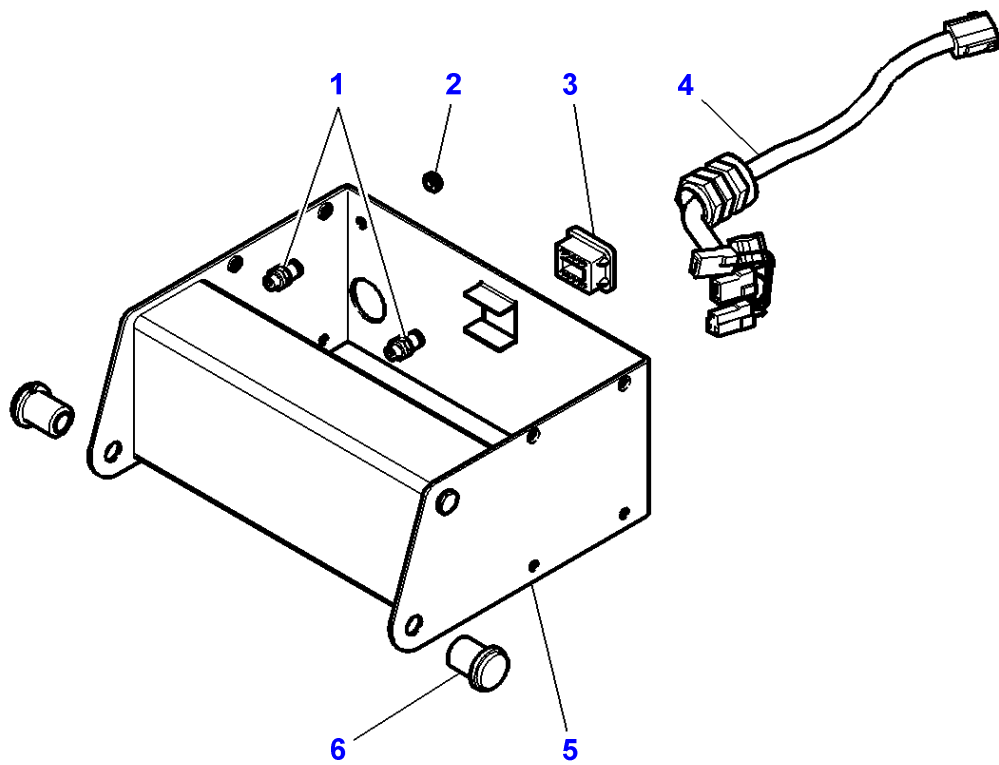
1-WU46-006-A



Massey Ferguson**MF 8470/8480 TRACTOR (TIER 3) - 3906071****3906071****Suspended Cab Control Unit - Compressor - From ...****Page 110-0035**

Item	Part Number	Qty	Description	Comments
1	4275812M92	1	Compressor	
2	4277531M91	1	Tube	(1)
3	4288271M1	1	Union	(1)
4	4275977M1	2	Vibration Mount	(1)
5	4288258M1	1	Pipe	(1)
6	4275942M1	1	Union	
7	4275947M1	1	Union	
8	3019139X1	5	Nut	
9	4275943M91	1	Regulator	
10	4275944M1	1	Angle.	
11	3009530X1	2	Screw	M4 X 8

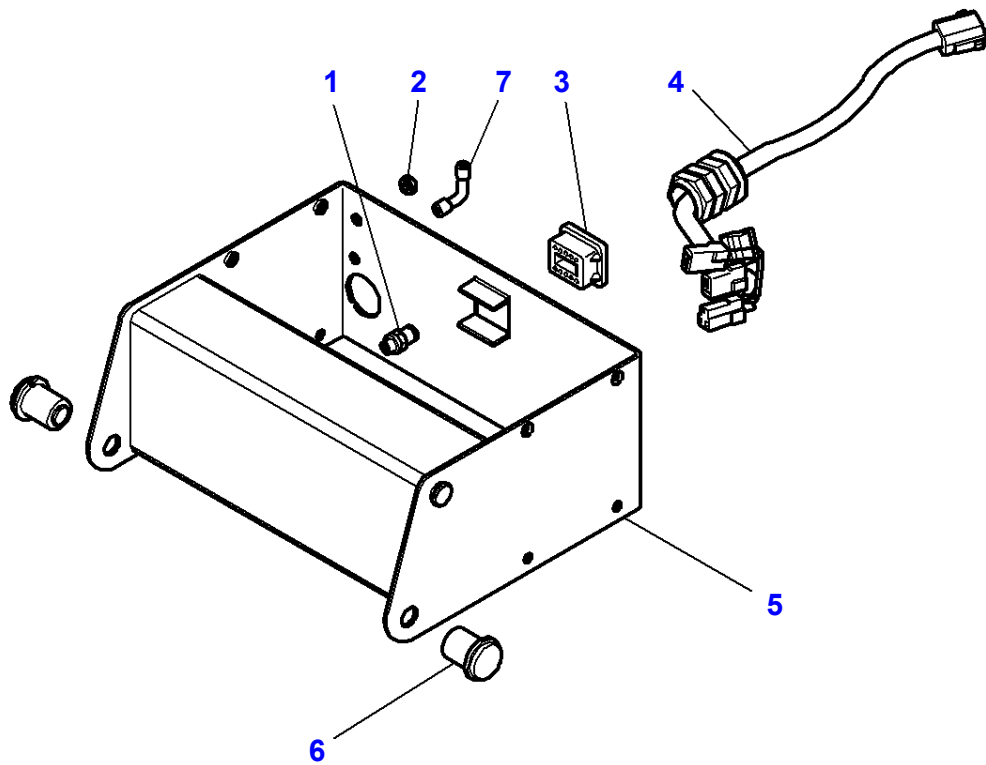
1-WU46-004-A



Massey Ferguson**MF 8470/8480 TRACTOR (TIER 3) - 3906071****3906071****Suspended Cab Control Unit - Air Tank - Up To ...****Page 110-0040**

Item	Part Number	Qty	Description
1	4273336M1	2	Union
2	4275937M1	3	Grommet
3	4275939M1	1	Latch
4	4275910M2	1	Harness
5	4274301M1	1	Box
6	4275938M1	2	Sleeve

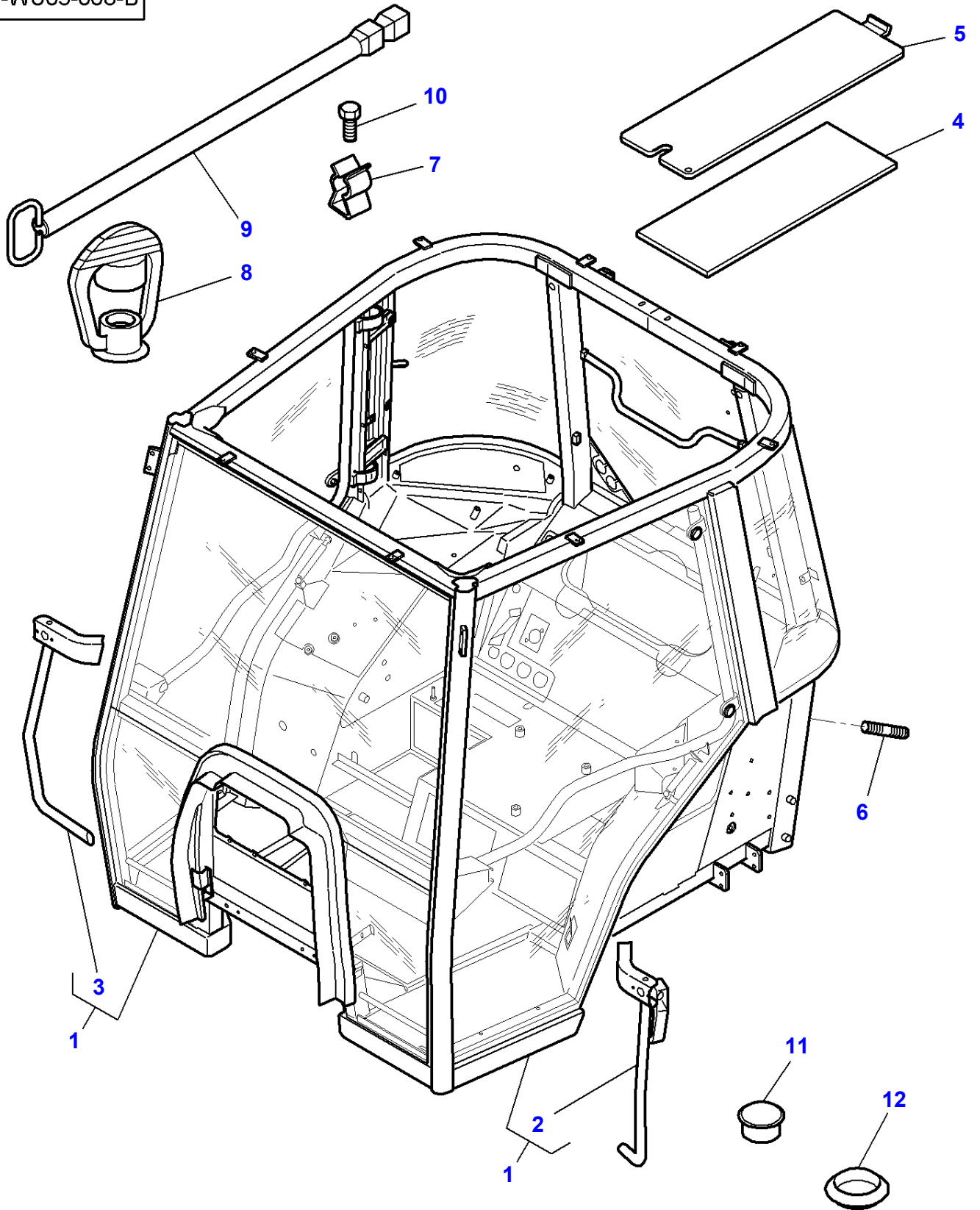
1-WU46-007-A



Massey Ferguson**MF 8470/8480 TRACTOR (TIER 3) - 3906071****3906071****Suspended Cab Control Unit - Air Tank - From ...****Page 110-0045**

Item	Part Number	Qty	Description
1	4273336M1	1	Union
2	4275937M1	3	Grommet
3	4275939M1	1	Latch
4	4275910M2	1	Harness
5	4274301M1	1	Box
6	4275938M1	2	Sleeve
7	4288245M1	1	Union

1-WU03-008-B



Tractor Cab

Item	Part Number	Qty	Description	Comments
1	4279923M96	1	Cab	[B]
	4279924M96	1	Cab	[C]
2	3907537M1	1	Guideway	(1)
3	3907481M1	1	Guideway	(1)
4	4273198M1	1	Foam	
5	4273193M1	1	Trap	
6	3011204X1	1	Stud	[D] M8 X 40
7	4276502M1	2	Clip	
8	3617859M1	1	Helmet	
9	G701.100.090.800	1	Tool	
10	3009285X1	2	Screw	M8 X 16
11	3041932M1	1	Plug	[A] 13-19 MM
12	4289049M1		Plug	[E] 28 MM 21-MAR-2007
	3782487M1	1	Plug	[E] 29 MM 22-MAR-2007

FOOTNOTE [A] WITHOUT AUTOMATIC HITCH

FOOTNOTE [B] WITH FRONT SCREEN 5MM

FOOTNOTE [C] WITH FRONT SCREEN 6MM

FOOTNOTE [D] GROUND CABLE

FOOTNOTE [E] WIHTOUT FRONT LOADER

Doors

Item	Part Number	Qty	Description	Comments
1	4275243M93	1	Gate	
	4275242M92	1	Gate	
2	4272772M2	1	Guideway	(1)
	4272773M3	1	Guideway	(1)
3	385361X1	2	Flat Washer	(1) 9-17 X 3,2
4	394367X1	2	Locknut	(1) M8
5	3902356M91	1	Grip	[A] (1) No 610
6	3902365M1	2	Washer	(1) 8-30 X 3
7	4276449M1	2	Rubber Bush	(1)
8	3009444X1	2	Screw	(1) M8 X 40
9	3902122M1	1	Seal	(1)
10	4272775M1	1	Window	(1) A = 600 MM
	4272774M1	1	Window	(1) A = 600 MM
11	1442900X1	1	Screw	(1) M8 X 55 3008857X1
12	3902411M1	2	Screw	(1) M6 X 16
13	3902145M1	1	Skate	(1)
14	3902366M1	1	Washer	(1) 28-42 X 2
15	3902367M1	1	Washer	(1) 5-18 X 1
16	3011035X1	1	Washer	(1) 6-12 X 1,5
17	391289X1	1	Tooth Washer	(1)
18	3010775X1	6	Screw	(1) M6 X 25
19	391038X1	1	Flat Washer	(1) 6-18 X 1,5
20	4276448M1	1	Muff	(1)
	4276447M1	1	Muff	(1)
21	3903504M1	1	Latch	(1)
22	3001757X1	1	Bolt	(1) M6 X 40
23	3804663M1	1	Latch	(1)
	3804662M1	1	Latch	(1)
24	4276446M1	1	Washer	(1) 14-28 X 3
25	339011X1	1	Bolt	(1) M8 X 45
26	339169X1	1	Nut	(1) M8
27	3616277M1	2	Helmet	(1)
28	339169X1	2	Nut	M8
29	3903187M1	4	Washer	12-22 X 1,2
30	3902116M1	4	Hinge	
31	3902370M91	1	Parts Pack	No 610
32	3902415M1	2	Protection.	
33	391025X1	4	Tooth Washer	
34	3902121M4	1	Ram	230MM 2221 QY 600N
	4279925M1	1	Ram	8716 UO 400N
35	3902773M1	2	Toggle	(34)
36	385361X1	16	Flat Washer	9-17 X 3,2
37	1442963X1	4	Split Pin	2,5 X 32
38	3902584M91	1	Kit, Spanner	
39	3903186M1	4	Clevis Pin	
40	3902414M1	16	Screw	M8 X 20
41	3616277M1	2	Helmet	
42	3010775X1	4	Screw	M6 X 25
43	3902372M1	2	Latch	
44	391038X1	4	Flat Washer	6-18 X 1,5

Massey Ferguson

MF 8470/8480 TRACTOR (TIER 3) - 3906071

3906071

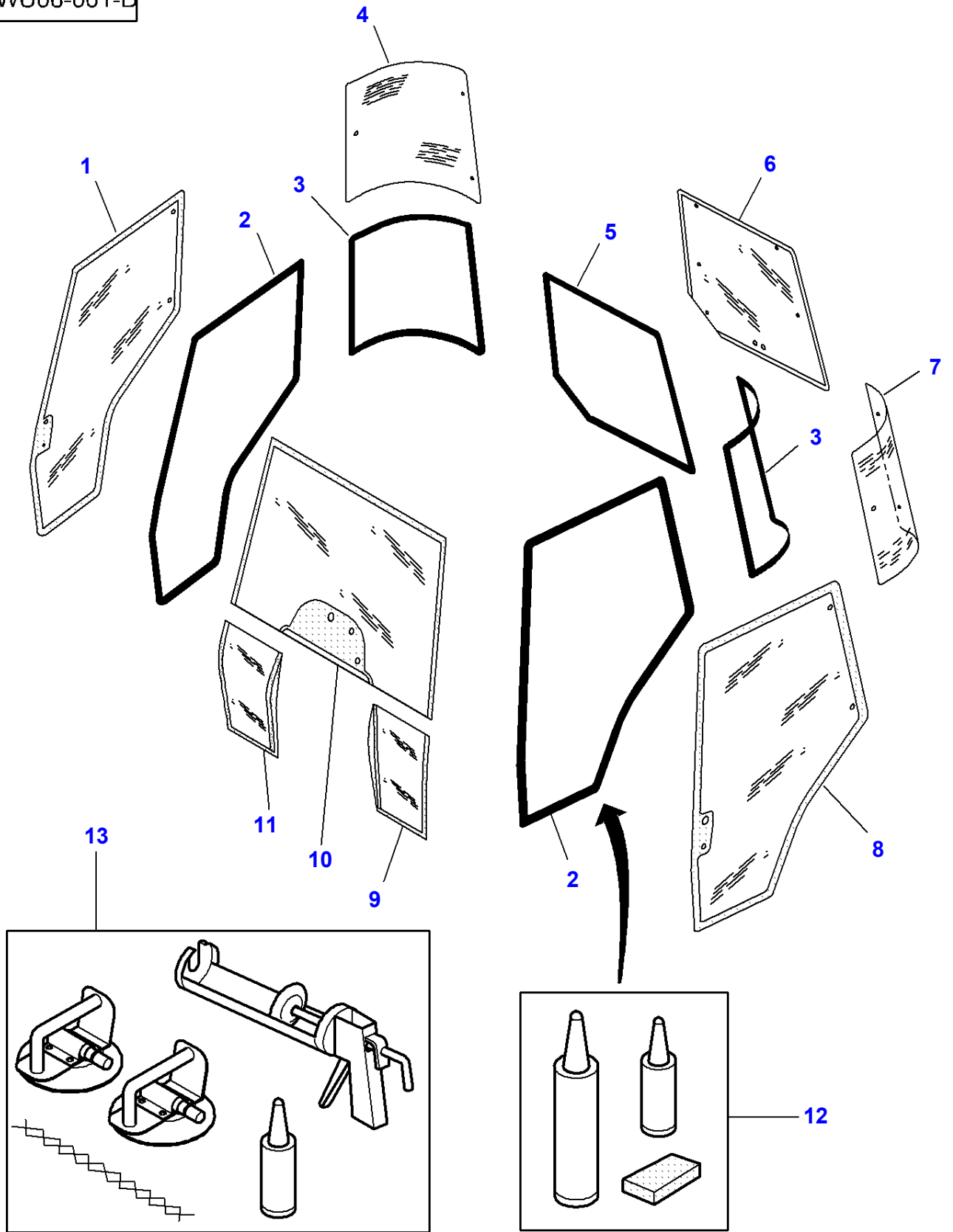
Doors

Page 110-0055

Item	Part Number	Qty	Description	Comments
45	4286448M1	1	Ram	245MM 0487 YJ 600N
46	3903200M1	2	Toggle	

FOOTNOTE [A] NUMBER STAMPED ON THE LOCK

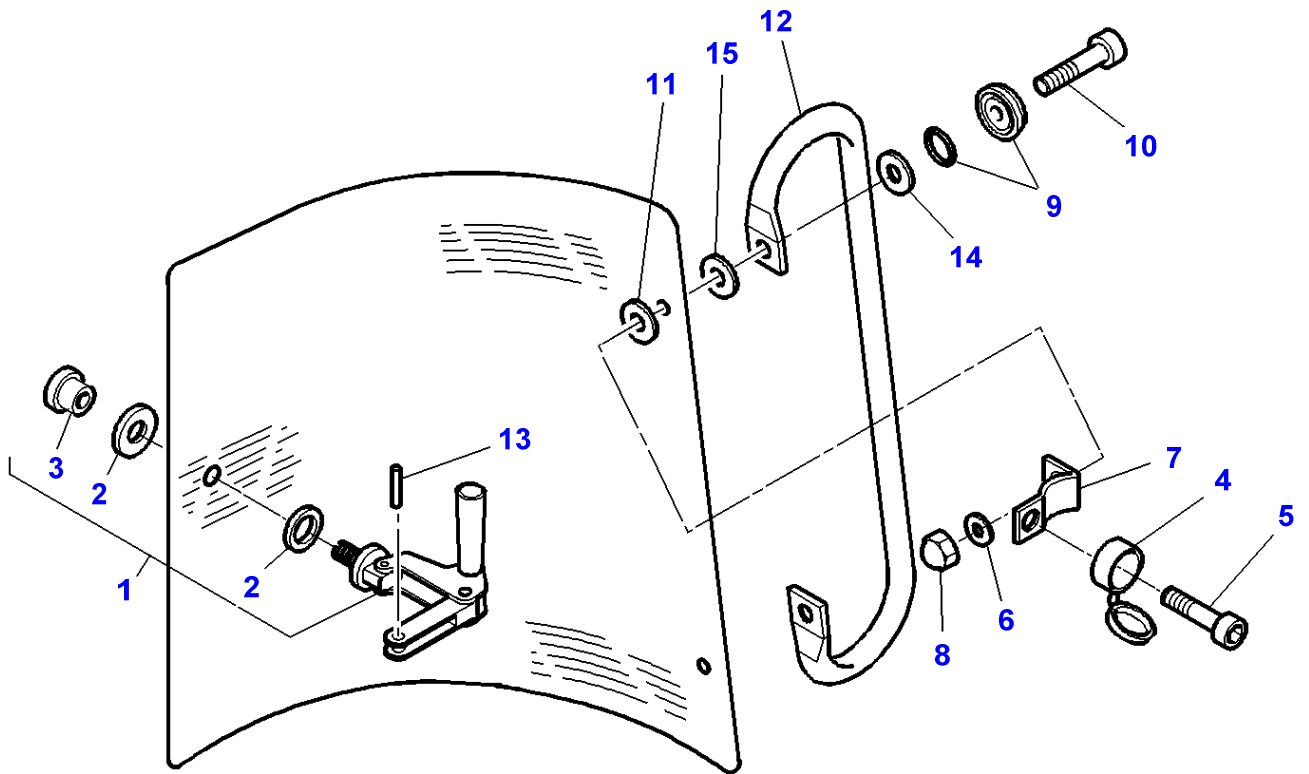
1-WU06-001-D



Glass

Item	Part Number	Qty	Description	Comments
1	4272775M1	1	Window	
2	3902122M1	2	Seal	
3	3902133M1	2	Seal	
4	3902131M1	1	Window	
5	3902144M1	1	Seal	
6	3715438M1	1	Window	
7	3902130M1	1	Window	
8	4272774M1	1	Window	
9	3902149M1	1	Window	
10	4273518M1	1	Windscreen	6,00 mm
	4273519M1	1	Windscreen	5,00 mm
11	3902150M1	1	Window	
12	3902373M93	1	Glazing Kit	
13	3902503M91	1	Parts Pack	

1-WU85-001-C

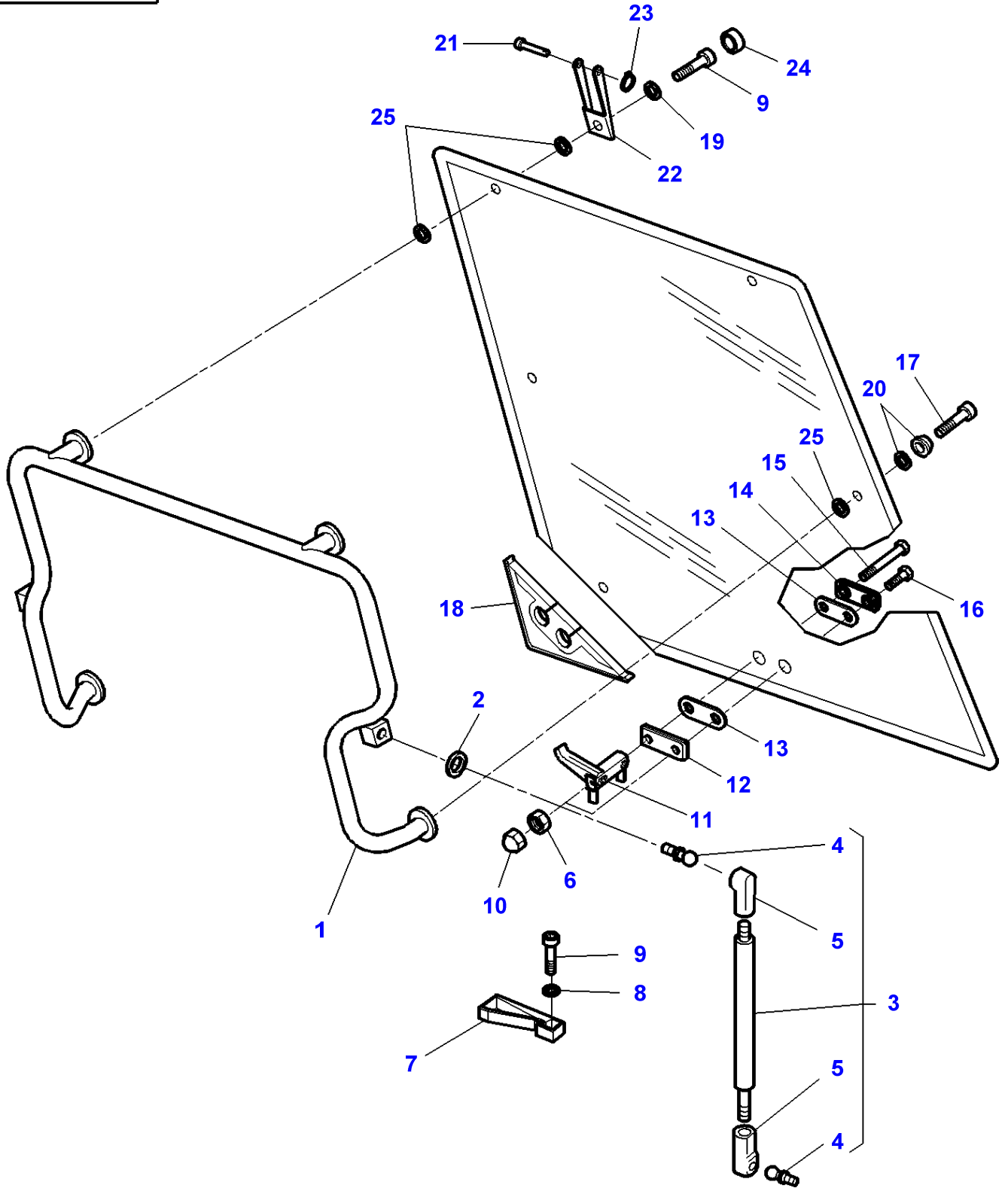


Side Window Mechanism

Item	Part Number	Qty	Description	Comments
1	3476132M91	1	Stay	
	3476133M91	1	Stay	
2	3478052M1	2	Washer	(1)
3	3478051M1	2	Nut	(1)
4	3902129M1	4	Muff	
5	3010775X1	4	Screw	M6 X 25
6	3011035X1	4	Washer	6-12 X 1,5
7	3902128M1	4	Hinge	
8	3902455M1	4	Cap Nut	M6
9	3902145M1	4	Skate	
10	4275839M1	4	Screw	M6 X 35
11	3903189M1	4	Washer	10,9-30 X 2
	3902365M1	4	Washer	8-30 X 3
12	3783201M1	2	Guideway	[A]
13	1440396X1	2	Roll Pin	5 X 12
14	3902367M1	2	Washer	5-18 X 1
15	4274622M1	4	Washer	8-20 X 3

FOOTNOTE [A] CAB WITH FLAT BOTTOM

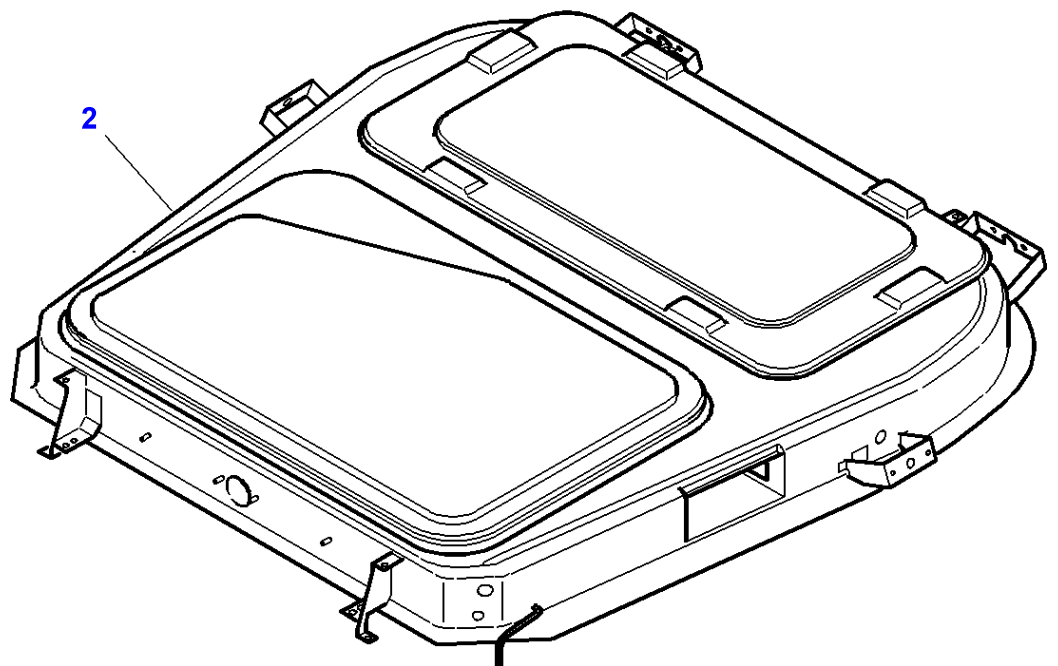
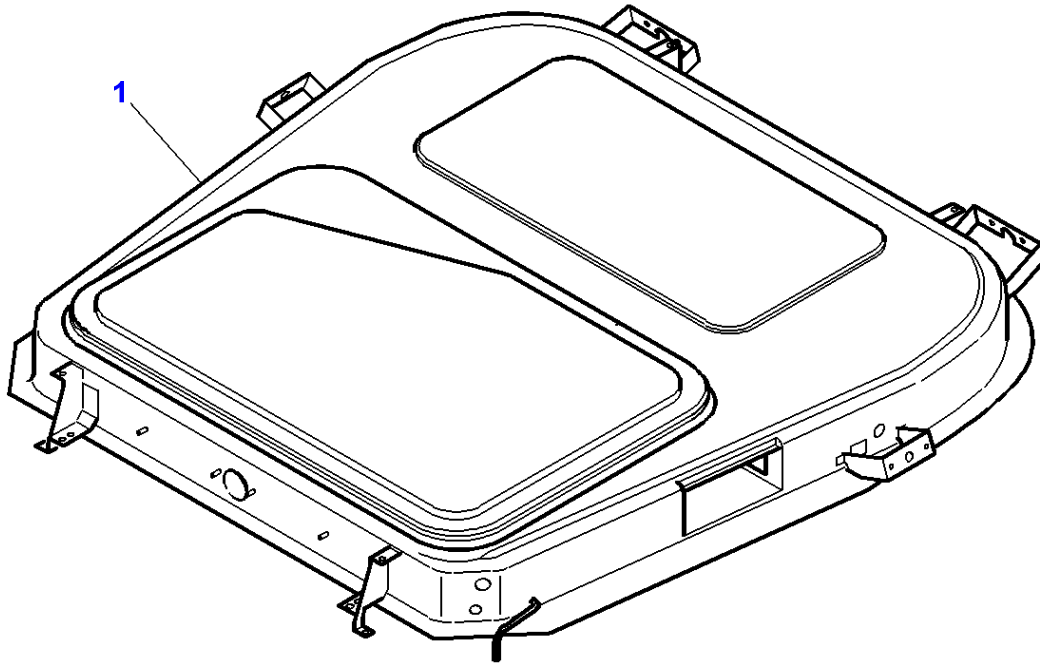
1-WU84-001-B



Massey Ferguson**MF 8470/8480 TRACTOR (TIER 3) - 3906071****3906071****Page 110-0070****Rear Window Mechanism**

Item	Part Number	Qty	Description	Comments
1	3902135M92	1	Support	
2	391025X1	4	Tooth Washer	
3	3902140M1	2	Ram	
4		2	Toggle	(3) REF. 3
5		2	Toggle	(3) REF. 3
6	1440329X1	2	Locknut	M10
7	3619610M1	1	Thruster	
8	391289X1	2	Tooth Washer	
9	3010775X1	4	Screw	M6 X 25
10	3619609M1	2	Helmet	M10
11	3619605M1	1	Grip	
12	3619604M1	1	Plate	
13	3619906M1	2	Gasket	
14	3619603M1	1	Plate	
15	3619907M1	1	Screw	M10 X 130
16	3619908M1	1	Screw	M10 X 35
17	3009432X1	2	Screw	M6 X 25
18	3806376M1	1	Seal	
19	385361X1	2	Flat Washer	
20	3902145M1	2	Skate	
21	3902137M1	2	Clevis Pin	
22	3902136M2	2	Clevis	
23	1440988X1	2	Snapping	
24	3902129M1	2	Muff	
25	3902365M1	6	Washer	8-30 X 3

1-WU02-001-C



Massey Ferguson

MF 8470/8480 TRACTOR (TIER 3) - 3906071

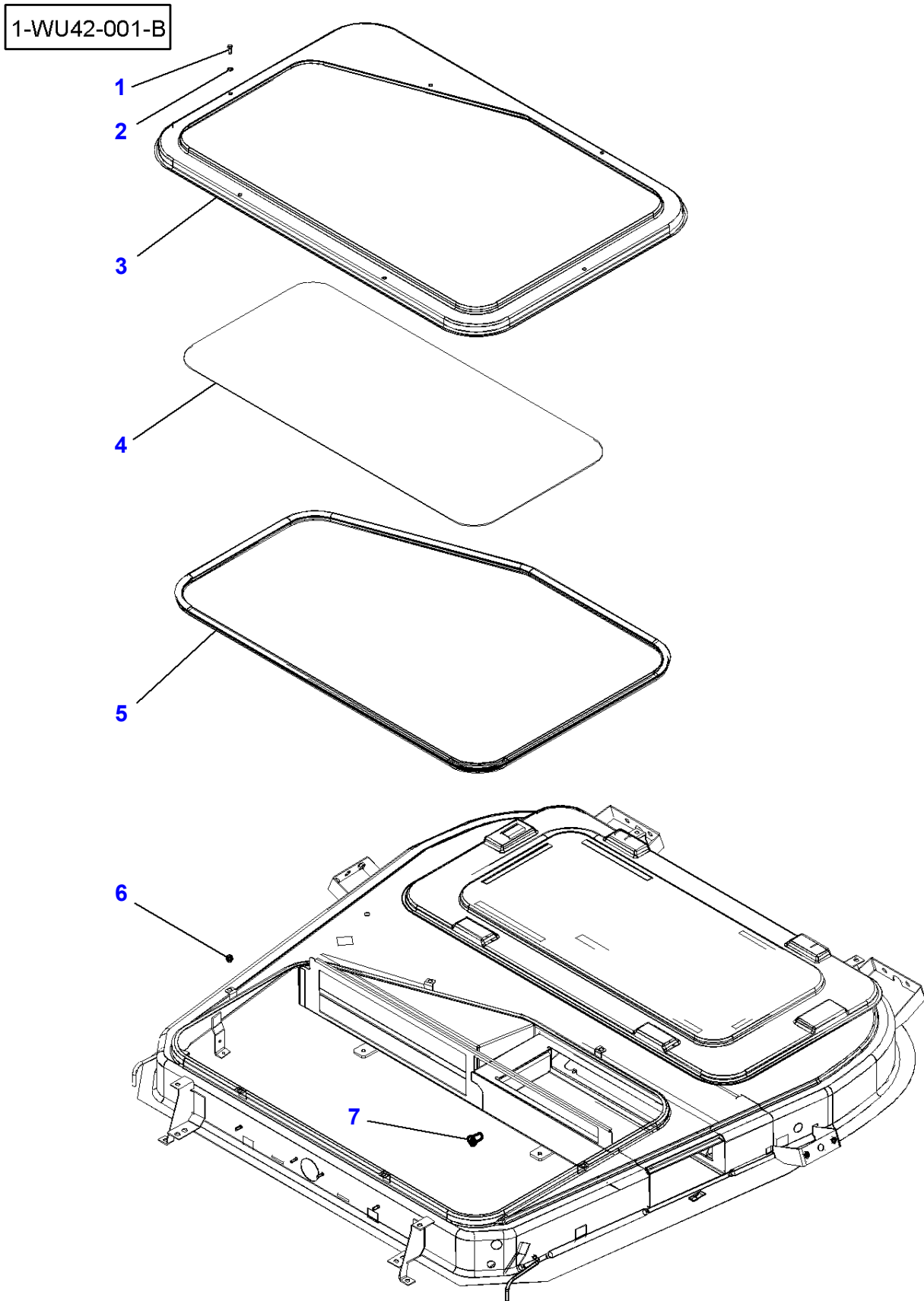
3906071

Roof

Page 110-0075

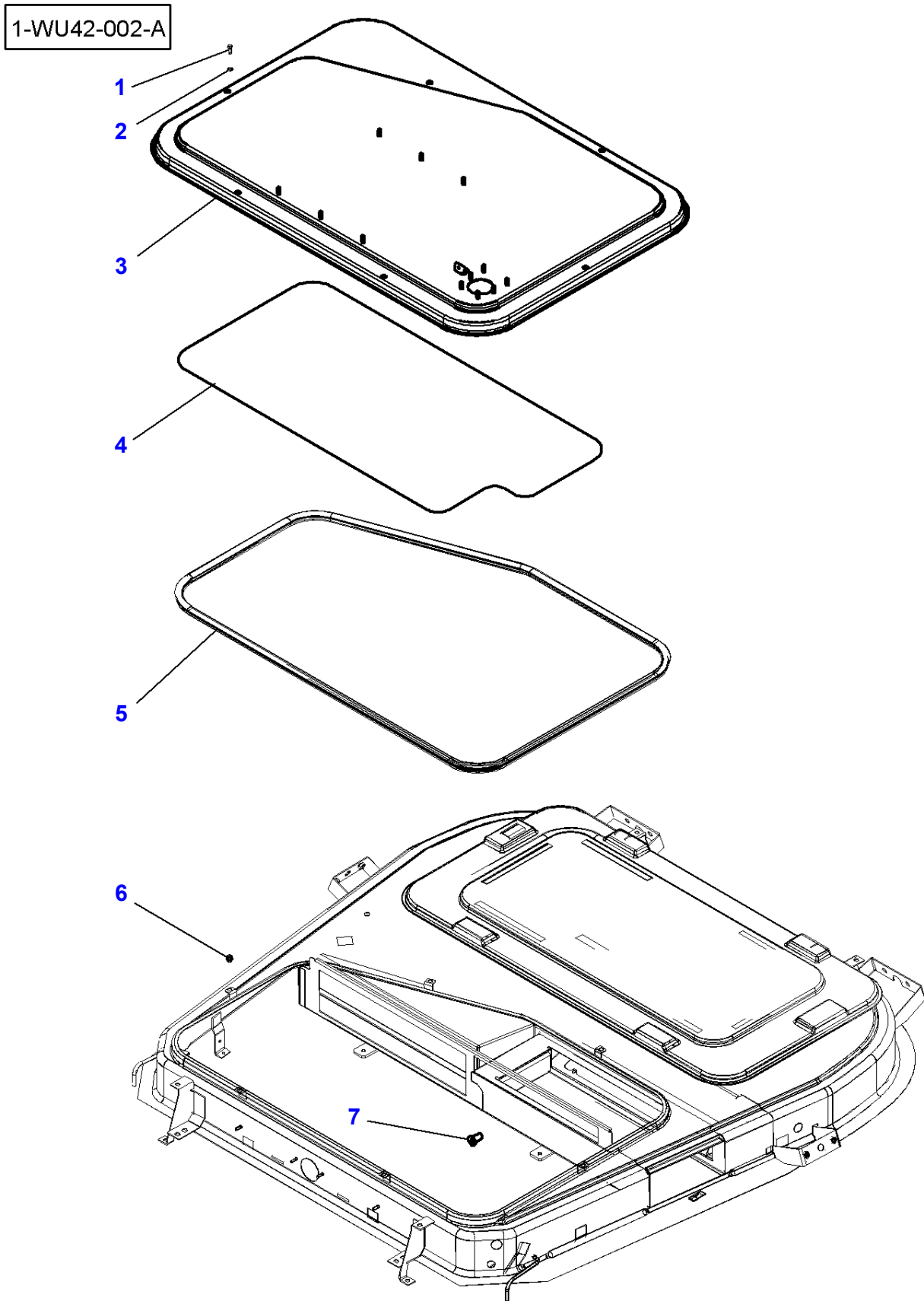
Item	Part Number	Qty	Description	Comments
1	3786624M94	1	Roof	
2	3786626M94	1	Roof	[A]

FOOTNOTE [A] WITH ROOF HATCH



Massey Ferguson**MF 8470/8480 TRACTOR (TIER 3) - 3906071****3906071****Heating Hatchway****Page 110-0080**

Item	Part Number	Qty	Description	Comments
1	339560X1	6	Bolt	M6 X 16
2	390971X1	6	Flat Washer	6-12 X 1,5
3	3787166M92	1	Trap	
4	3788932M1	1	Sound Reduction	
5	3786637M1	1	Gasket	
6	3580774M1	6	Nut	M6
7	3713803M1	4	Nut	M4



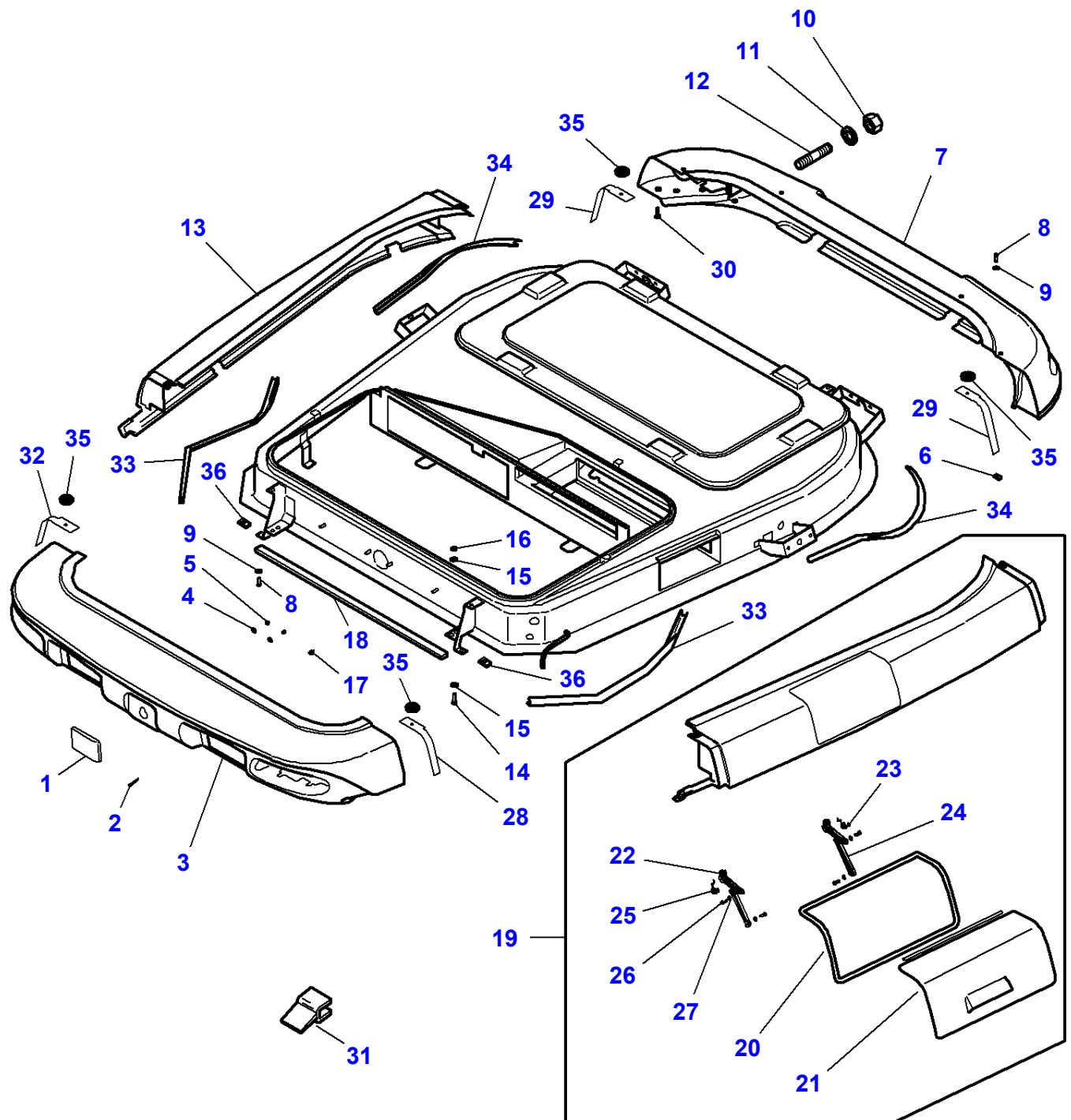
Massey Ferguson**MF 8470/8480 TRACTOR (TIER 3) - 3906071****3906071****Heating Hatchway - WITH "AUTO-GUIDE"****Page 110-0085**

Item	Part Number	Qty	Description	Comments
1	339560X1	6	Bolt	M6 X 16
2	390971X1	6	Flat Washer	6-12 X 1,5
3	4290612M92	1	Trap	
4	4290363M1	1	Sound Reduction	
5	3786637M1	1	Gasket	
6	3580774M1	6	Nut	M6
7	3713803M1	4	Nut	M4

Massey Ferguson**MF 8470/8480 TRACTOR (TIER 3) - 3906071****3906071****Page 110-0090****Air Hatchway**

Item	Part Number	Qty	Description	Comments
1	3303076M1	2	Bush	
2	3787167M91	1	Trap	
3	3788925M1	2	Pivot	
4	3301741M1	2	Washer	
5	3303021M91	2	Gas Strut	
6	3303019M3	2	Head	
7	3788935M1	2	Spacer	
8	1441500X1	2	Top Locknut	M6
9	395579X1	1	Screw Metric	M6 X 16
10	3388511M91	1	Grip	
11	3009284X1	2	Screw	M6 X 45
12	3000261X1	6	Snpring	
13	3303075M1	2	Clevis Pin	
14	3788931M1	1	Gasket	
15	3303074M1	2	Clevis Pin	
16	3303077M1	2	Bush	

1-WU19-028-B



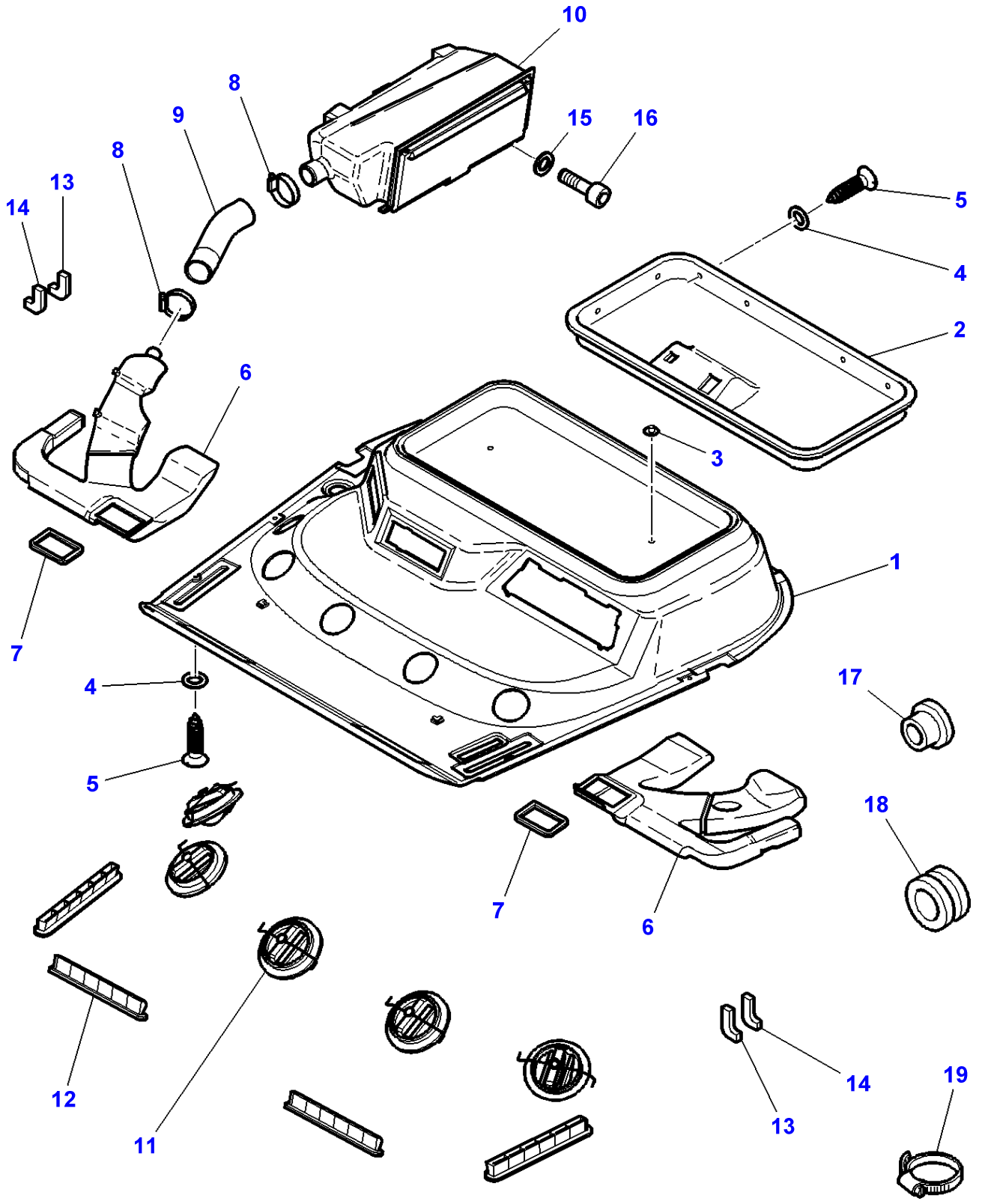
Tractor Cab - Cladding

Item	Part Number	Qty	Description	Comments
1	3808163M91	1	Emblem	
2	3817216M1	3	Screw	M4 X 19
3	3788202M93	1	Visor	[A]
	3788205M93	1	Visor	[B]
	3786642M93	1	Visor	[B]
4	3019560X1	2	Washer	5-15 X 1,5
5	1441494X1	2	Nut Metric	M5
6	3010070X1	4	Spring Nut	M6
7	3786695M93	1	Visor	
	3787174M93	1	Visor	
8	339666X1	10	Bolt	M6 X 20
9	391038X1	10	Flat Washer	6-18 X 1,5
10	1440022X1	4	Stud	M8 X 20
11	390972X1	4	Flat Washer	8-17 X 1,7
12	339169X1	4	Nut	M8
13	3788209M93	1	Visor	
14	339761X1	43	Bolt	M8 X 25
15	3010597X1	8	Tooth Washer	8-22
16	339169X1	4	Nut	M8
17	3817218M1	4	Spring Nut	4,5
18	4278398M1	2	Gasket	1230 mm
19	3787162M93	1	Visor	
20	3787141M1	1	Gasket	(19)
21	3786648M1	1	Trap	(19)
22	3787180M1	2	Rod Link	(19)
23	3787182M1	1	Spring	(19)
24	3787181M1	2	Rod Link	(19)
25	3787183M1	1	Spring	(19)
26	3787143M1	4	Screw	(19) M3 X 8
27	390752X1	4	Washer Metric	(19)
28	4278385M2	1	Gasket	220 mm
29	4278387M2	2	Gasket	270 mm
30	3806673M1	2	Screw	FBS No 10 X 13
31	3783543M1	2	Gasket	50 mm
32	4278386M2	1	Gasket	220 mm
33	4278388M1	2	Gasket	520 mm
34	4278389M1	2	Gasket	800 mm
35	3902365M1	4	Washer	8-30
36	3010070X1	2	Spring Nut	M6

FOOTNOTE [A] WITH 2 HEADLAMPS

FOOTNOTE [B] WITH 4 HEADLAMPS

1-WU19-016-A



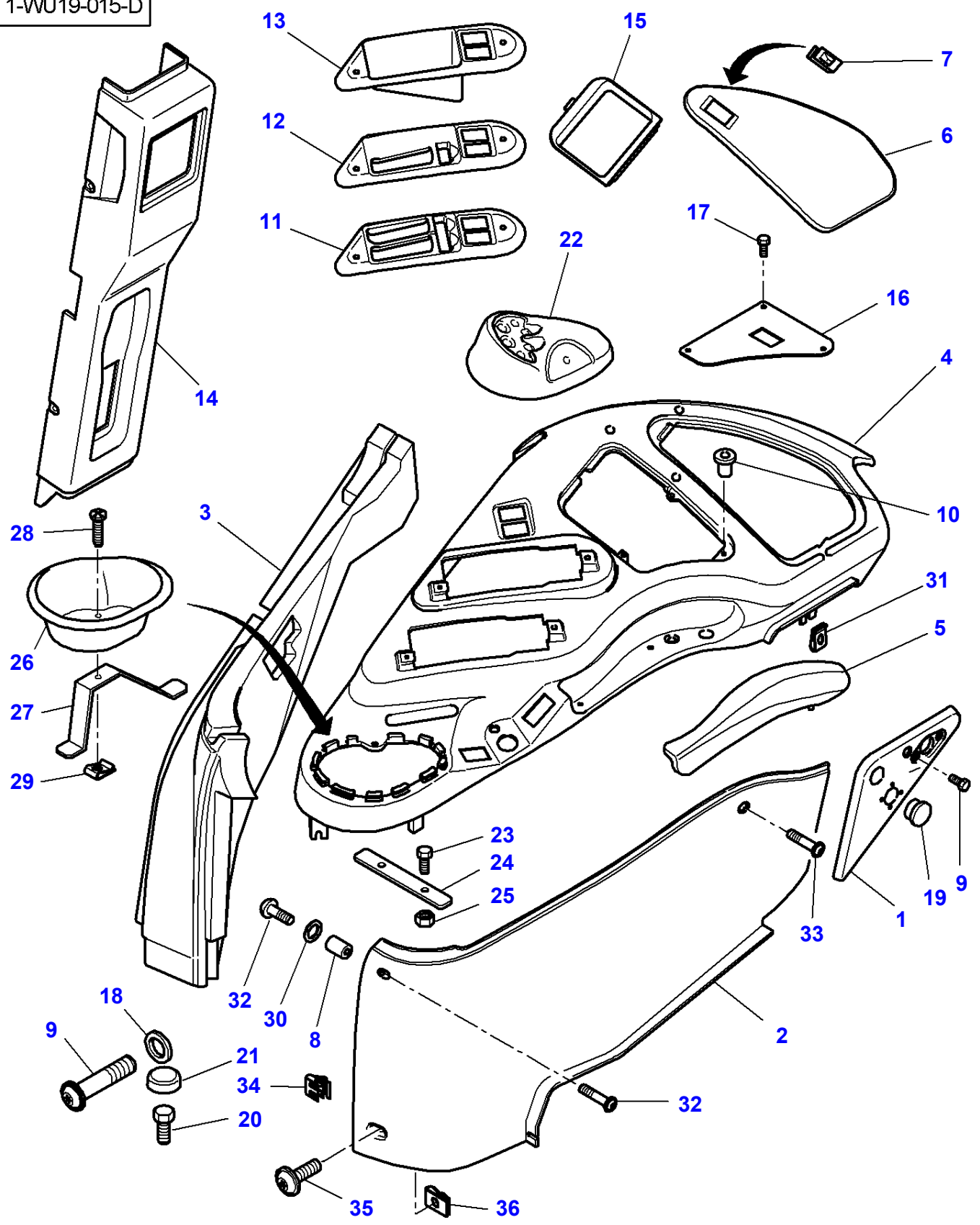
Massey Ferguson**MF 8470/8480 TRACTOR (TIER 3) - 3906071****3906071****Tractor Cab - Cladding - Dressing Roof****Page 110-0100**

Item	Part Number	Qty	Description	Comments
1	4273536M92	1	Cladding	[A]
	4273535M92	1	Facing	
2	3788213M1	1	Facing	
3	4271027M1	2	Nut	[A] M8
4	1427000M1	X	Washer	5,2-16 X 4 MM
5	3010506X1	X	Screw	M5 X 16
	3823089M1	6	Screw	CBZ No 10X19
6	3786684M1	1	Pipe	
	3786672M1	1	Pipe	
7	3615352M1	2	Gasket	
8	338617X1	2	Hose Clip	40-60
9	4271111M1	1	Sheath	
10	4273542M91	1	Holder	
11	3786678M1	5	Vent	
12	4273677M3	4	Ventilator	
13	4271133M1	2	Gasket	
14	4271112M1	2	Gasket	
15	391038X1	3	Flat Washer	6-18 X 1,5
16	1440350X1	3	Screw Metric	M6 X 20
17	3580599M1	1	Plug	22 MM
18	3783677M1	1	Grommet	7-17-21
19	3619622M1	2	Cable Tie	

FOOTNOTE [A] WITHOUT ROOF HATCH

MF 8470/8480 TRACTOR (TIER 3) - 3906071
1-WU19-015-D

1-WU19-015-D



Tractor Cab - Cladding

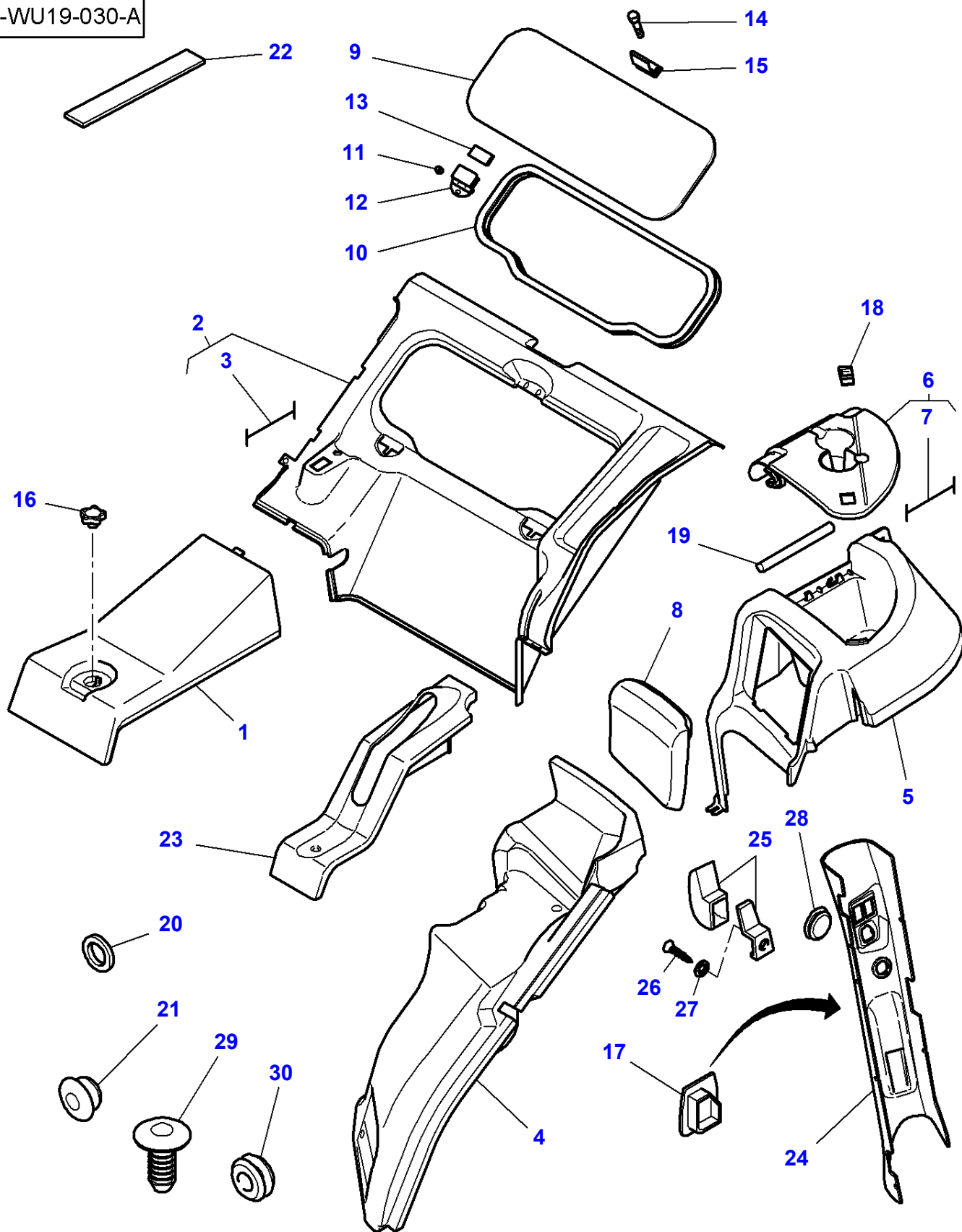
Item	Part Number	Qty	Description	Comments
1	4279100M91	1	Triangle	
2	4279097M92	1	Panel	R151065
	4279097M93	1	Panel	R151066
3	4279109M91	1	Envelope	
	4279302M91	1	Cladding	[A]
4	4270864M92	1	Plate Clamping	
	4273513M92	1	Plate Clamping	
5	3789486M1	1	Armrest	
6	4270868M91	1	Cover	
	4273512M91	1	Cover	
7	4270986M1	1	Hasp	
8	4280614M1	1	Spacer	13 X 14 - M5
9	3010578X1	X	Screw	M5 X 10
	3010506X1	X	Screw	M5 X 16
	3011434X1	X	Screw	M5 X 30
10	4277656M1	3	Insert	M4
11	3787570M1	1	Cover	
12	4270711M1	1	Cover	
13	4270709M1	1	Cover	
14	4276954M92	1	Mounting	
	4278016M92	1	Mounting	
15	4270710M1	1	Grille	
16	3788427M1	1	Blanking Plate	[B]
17	3010506X1	3	Screw	M5 X 16
18	1427000M1	X	Washer	5,2-16 X 4
19	4275985M1	3	Tap	[C] 32 MM
20	3009491X1	3	Bolt	M10 X 20
21	3824109M1	3	Cap	
22	4270876M91	1	Console	
23	1440922X1	2	Hex. Sock. Screw	M6 X 60
24	4273192M3	1	Plate	
25	3019123X1	2	Nut	M6
26	4270951M1	1	Pocket	
27	4274211M1	1	Strap	
28	3010506X1	1	Screw	M5 X 16
29	3715143M1	1	Spring Nut	
30	3019560X1	1	Washer	5-15 X 1,5 MM
31	3715143M1	1	Spring Nut	
32	3010578X1	2	Screw	M5 X 10
33	3010506X1	1	Screw	M5 X 16
34	4275137M1	1	Clip	P139062
35	3010578X1	1	Screw	R151066 M5 X 10
36	3715142M1	1	Spring Nut	R151066 M5

FOOTNOTE [A] WITH DATATRONIC

FOOTNOTE [B] WITHOUT HYDRAULIC LIFT

FOOTNOTE [C] WITHOUT ELECTRICAL PLUG

1-WU19-030-A



Tractor Cab - Cladding

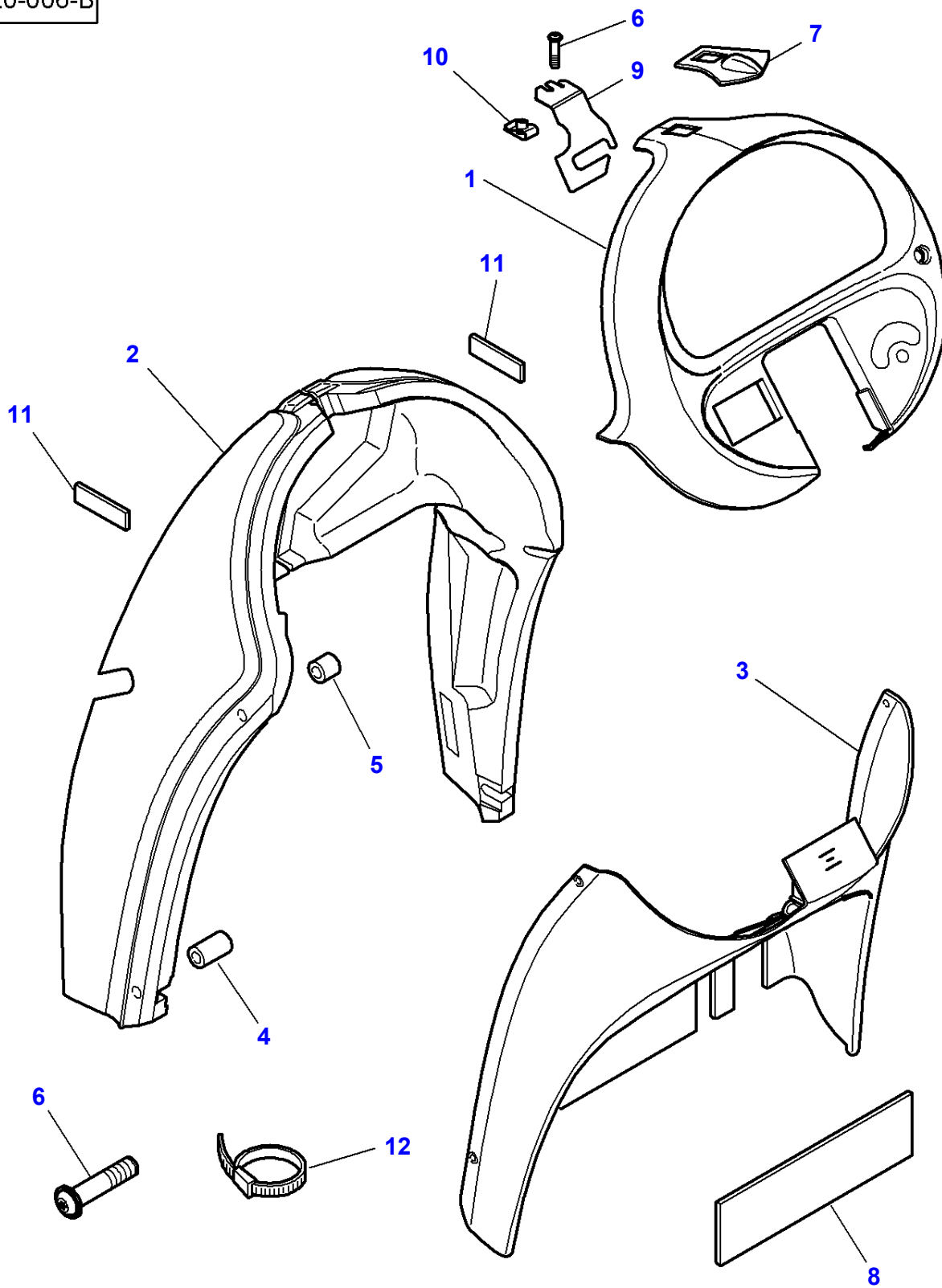
Item	Part Number	Qty	Description	Comments
1	4279112M91	1	Cover	
2	4279115M91	1	Rear Window	
3	4270988M1	1	Tie	(2) 110 MM
4	4279121M91	1	Envelope	
5	4279118M91	1	Locker	
6	4273511M92	1	Cover	
7	4270987M1	1	Tie	(6) 450 MM
8	4279127M91	1	Back Rest	
	4279203M91	1	Muff	[C]
9	3714482M1	1	Window	578,5X212X5 MM
10	3786411M1	1	Gasket	1385 MM
11	3902455M1	2	Cap Nut	M6
12	3784336M1	2	Hinge	
13	3784894M1	2	Gasket	50 MM
14	3010506X1	2	Screw	M5 X 16
15	3784337M1	1	Latch	
16	4270514M1	1	Button	
17	4271912M1	1	Muff	[A]
18	4270986M1	1	Hasp	
19	4270984M1	1	Clevis Pin	
20	1427000M1	9	Washer	5,2-16 X 4
21	3713587M1	1	Plug	22 MM S018027
	3041932M1	1	Plug	[B] 13 - 19 MM
22	3778749M1	2	Foam	25 X 15 X 80
23	4279869M91	1	Muff	
	4279124M91	1	Muff	
24	4273514M91	1	Mounting	
25	3810912M91	1	Hook	
26	3010578X1	1	Screw	M5 X 10
27	390469X1	1	Flat Washer	5-10 X 1,5
28	4275985M1	1	Tap	32 MM
29	4275041M2	2	Button	10 MM
30	1803494M1	1	Grommet	15-10-3

FOOTNOTE [A] WITH OUT ELECTRIC CONTROL REAR REFLECTING MIRROR

FOOTNOTE [B] WITHOUT AUTOMATIC HITCH

FOOTNOTE [C] WITHOUT SECONDARY SEAT

1-WU20-006-B

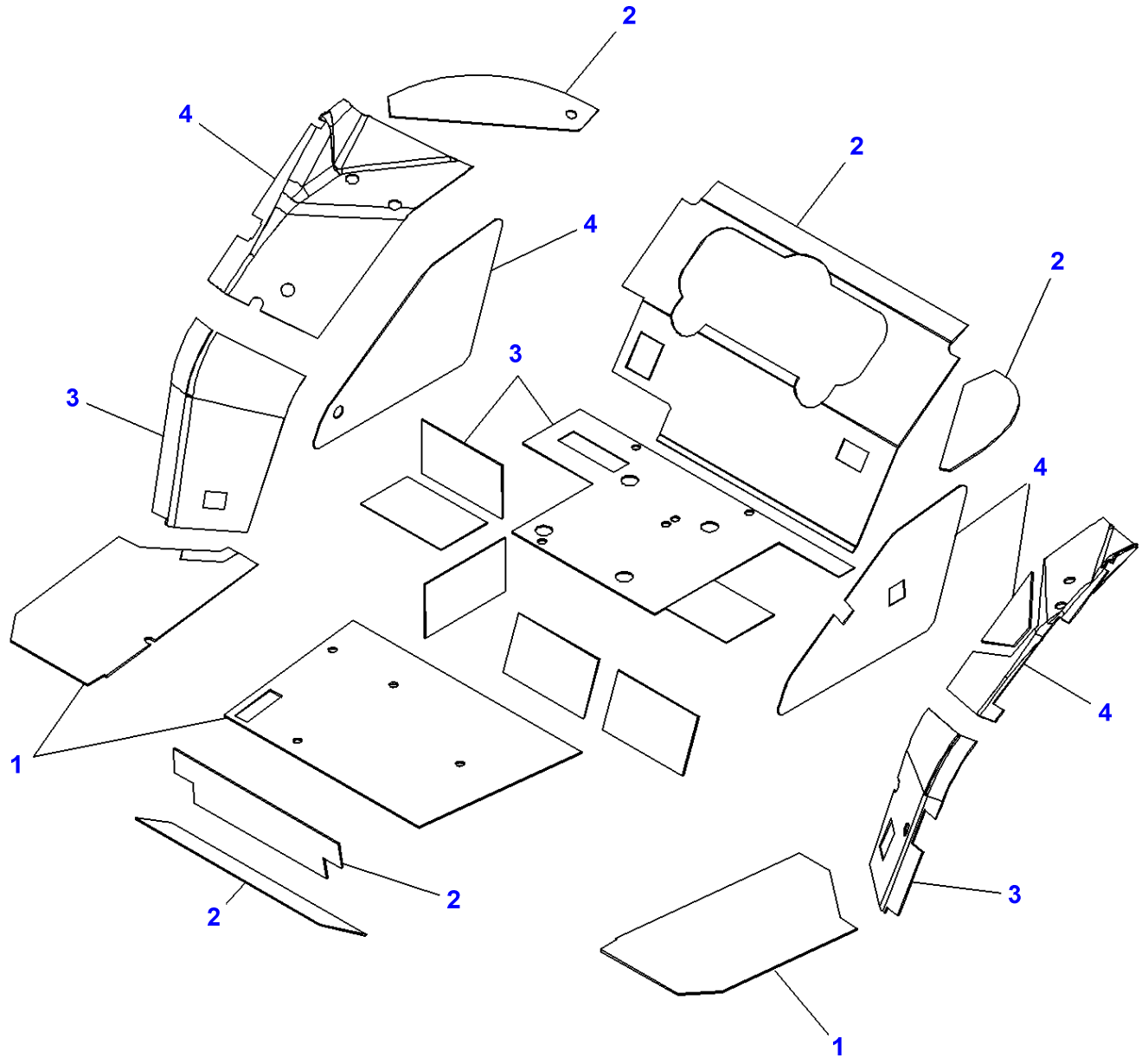


Massey Ferguson**MF 8470/8480 TRACTOR (TIER 3) - 3906071****3906071****Page 110-0115****Instrument Panel Cladding**

Item	Part Number	Qty	Description	Comments
1	4270884M93	1	Plate Clamping	
	4273510M93	1	Plate Clamping	
2	4279106M92	1	Envelope	
3	4279103M92	1	Panel	
4	4272688M1	2	Spacer	15-M5 X 25
5	4272687M2	2	Spacer	15-M5 X 11
6	3010578X1	X	Screw	M5 X 10
	3010506X1	X	Screw	M5 X 16
	3011434X1	X	Screw	M5 X 30
7	4276813M1	1	Flange	[B]
	4276867M1	1	Flange	[C]
8	4271499M1	1	Trim	520 X 150
9	4276864M3	1	Support	
10	3715143M1	X	Spring Nut	M5
11	3814980M1	4	Pad	
12	3619622M1	X	Cable Tie	

FOOTNOTE [B] AUTOMATIC AIR CONDITIONER**FOOTNOTE [C]** MANUAL AIR CONDITIONER

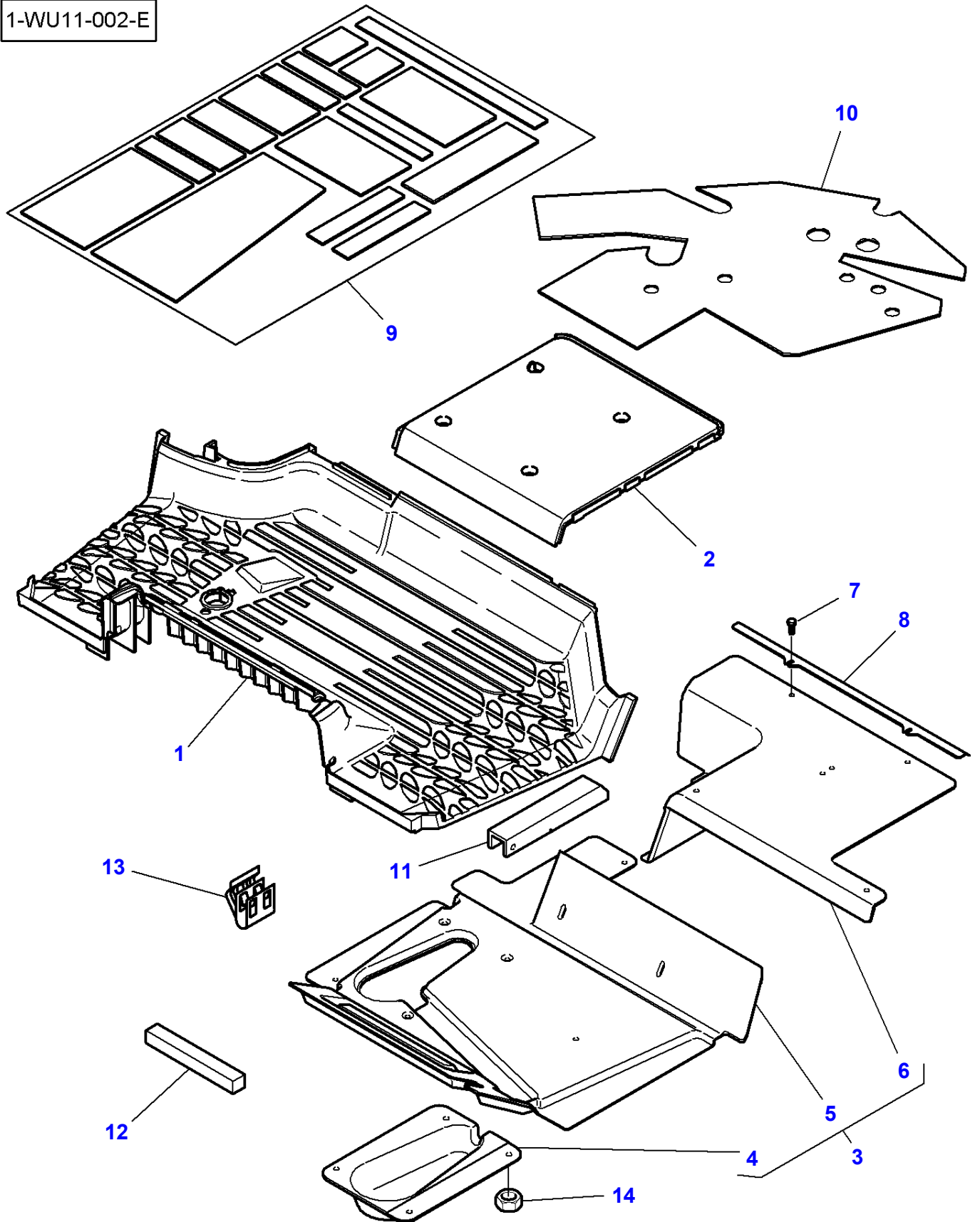
1-WU11-005-A



Massey Ferguson**MF 8470/8480 TRACTOR (TIER 3) - 3906071****3906071****Tractor Cab - Cab Insulation****Page 110-0120**

Item	Part Number	Qty	Description
1	3789928M93	1	Sound Reduction
2	3789926M97	1	Sound Reduction
3	3789925M96	1	Sound Reduction
4	3789927M95	1	Sound Reduction

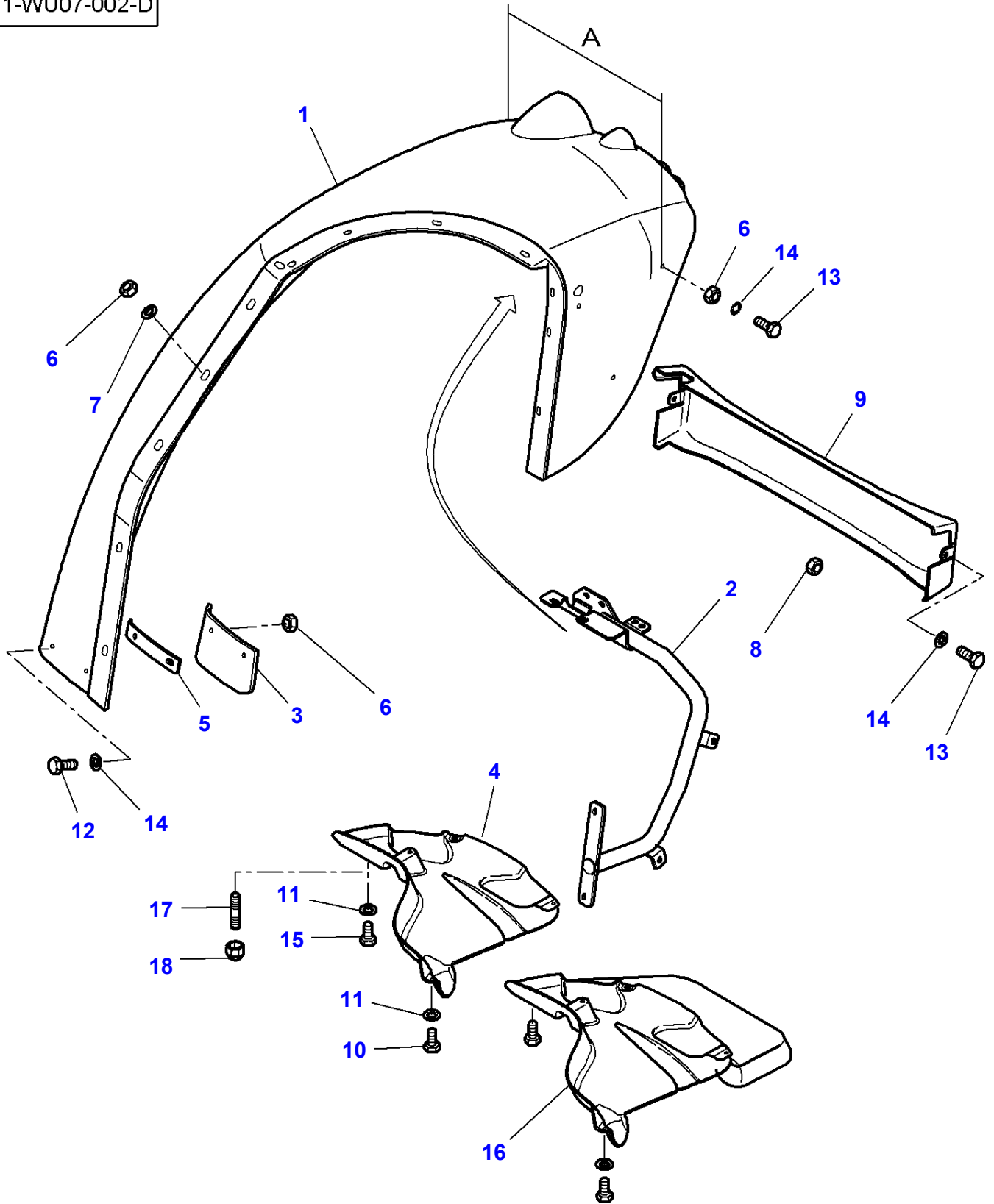
1-WU11-002-E



Massey Ferguson**MF 8470/8480 TRACTOR (TIER 3) - 3906071****3906071****Tractor Cab - Cab Insulation****Page 110-0125**

Item	Part Number	Qty	Description	Comments
1	4270867M92	1	Mat	4270891M92
2	4270890M91	1	Mat	4270892M91
3	4271510M94	1	Protection.	
4		1	Fence	(3) REF. 3
5		1	Fence	(3) REF. 3
6		1	Fence	(3) REF. 3
7	3010506X1	X	Screw	M5 X 16
8	4271488M1	1	Strap	
9	4271481M92	1	Sound Reduction	
10	4271512M3	1	Foam	
11	4277104M1	1	Chock	
12	3778749M1	2	Foam	25 X 15 X 80
13	4275137M1	1	Clip	P139062
14	1441500X1	4	Top Locknut	M6

1-WU07-002-D



Tractor Cab - Fenders

Item	Part Number	Qty	Description	Comments
1	3786915P2	1	Fender	[B,C] A = 578 MM
	3786913P2	1	Fender	[B,D] A = 721 MM
	3786919P2	1	Fender	[B,E] A = 843 MM
	3786916P2	1	Fender	[B,C] A = 578 MM
	3786914P2	1	Fender	[B,D] A = 721 MM
	3786920P2	1	Fender	[B,E] A = 843 MM
2	3787111M1	1	Support	[C]
	3787113M1	1	Support	[D]
	3787115M1	1	Support	[E]
	3787112M1	1	Support	[C]
	3787114M1	1	Support	[D]
	3787116M1	1	Support	[E]
3	3787129M1	1	Extension	[C]
	4277275M1	1	Extension	[C]
	3787130M1	1	Extension	[D,E]
	4277274M1	1	Extension	[D,E]
4	3787123M1	1	Protection.	[C]
	3787125M1	1	Protection.	[D]
	3787127M1	1	Protection.	[E]
	3787124M1	1	Protection.	[C]
	3787126M1	1	Protection.	[D]
	3787128M1	1	Protection.	[E]
5	3787195M1	2	Support	[C]
	3787196M1	2	Support	[D,E]
6	394367X1	34	Locknut	M8
7	391039X1	24	Flat Washer	8-24 X 2
8	1427024M1	2	Nut	M8
9	4280841P91	1	Band	[B]
10	3009280X1	2	Screw	M6 X 12
11	391038X1	2	Flat Washer	6-18 X 1,5
12	3010910X1	4	Screw	M8 X 25
13	339761X1	4	Bolt	M8 X 25
	339009X1	2	Setscrew	M8 X 35
14	385361X1	14	Flat Washer	9-17 X 3,2
15			Not Used	
16	4271145M1	1	Extension	[D,A]
	4271147M1	1	Extension	[E,A]
	4271146M1	1	Extension	[D,A]
	4271148M1	1	Extension	[E,A]
17	3011669X1	8	Stud	M6 X 16
18	4280935M1	8	Nut	

FOOTNOTE [A] USED WITH EXTENSION FENDERS

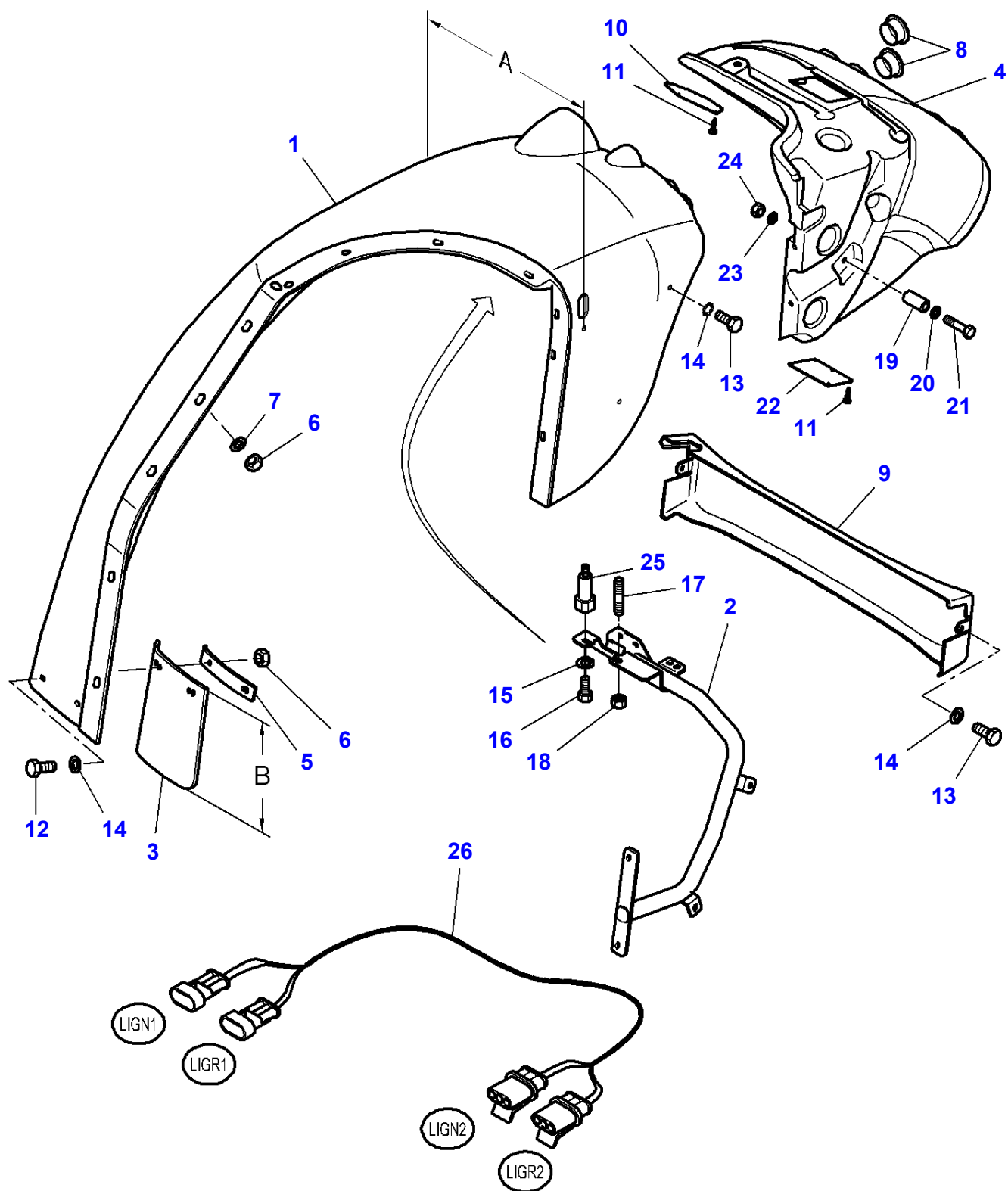
FOOTNOTE [B] THE APPROPRIATE SAFETY DECALS MUST BE ORDERED AND FITTED TO THIS PART

FOOTNOTE [C] FOR WHEELBASE 2,00 M

FOOTNOTE [D] FOR WHEELBASE 2,30 M

FOOTNOTE [E] FOR WHEELBASE 2,55 M

1-WU07-013-A



Tractor Cab - Fenders

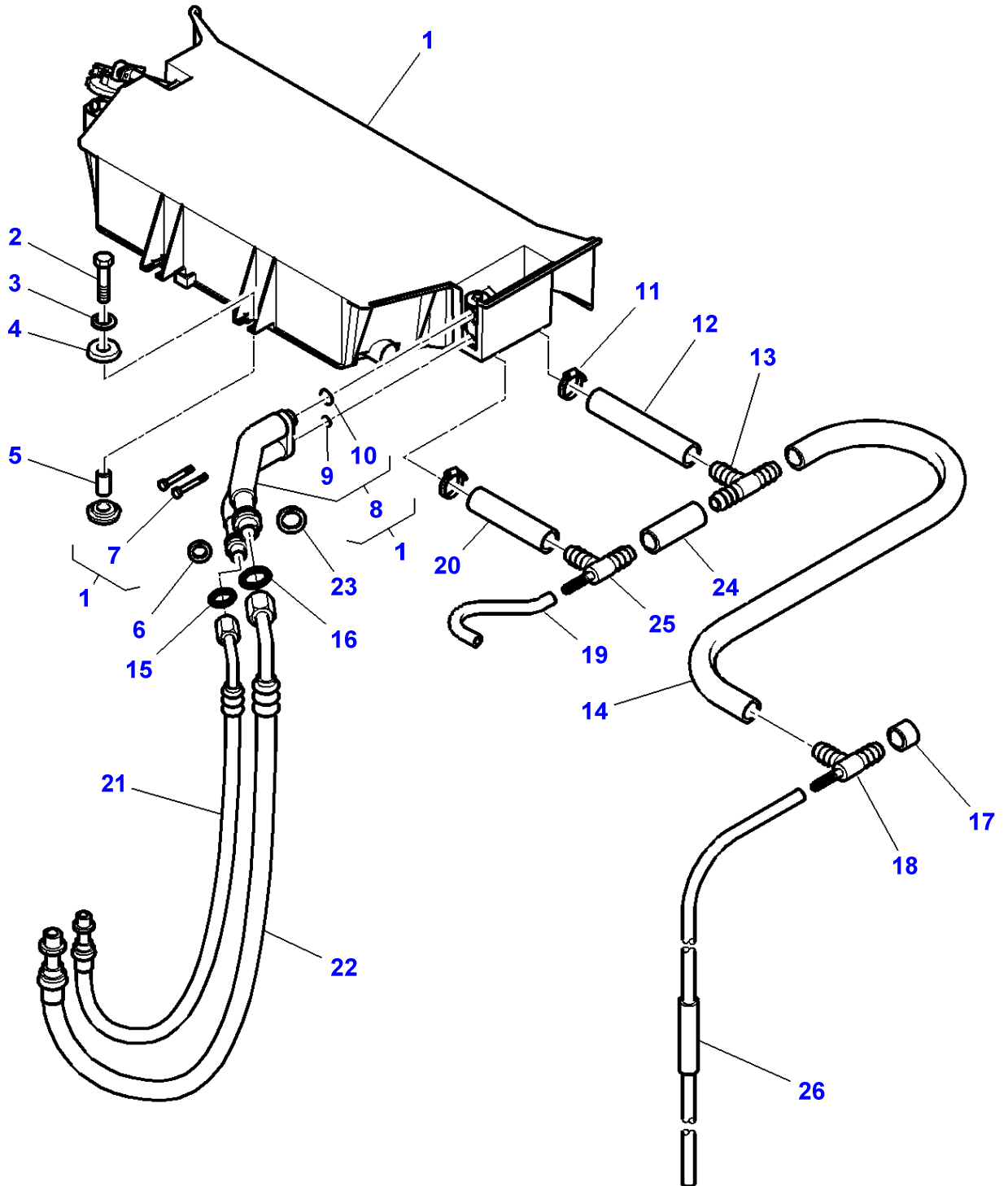
Item	Part Number	Qty	Description	Comments
1	3786919P2	1	Fender	[A] A=843 MM
	3786920P2	1	Fender	[A] A=843 MM
	3786913P2	1	Fender	[B] A=721 MM
	3786914P2	1	Fender	[B] A=721 MM
2	3787115M1	1	Support	[A]
	3787116M1	1	Support	[A]
	3787113M1	1	Support	[B]
	3787114M1	1	Support	[B]
3	3787130M1	1	Extension	[A] B=110 MM
	4277274M1	1	Extension	[A] B=260 MM
4	4279185M3	1	Protection.	[A]
	4279184M3	1	Protection.	[A]
	4279183M3	1	Protection.	[B]
	4279182M3	1	Protection.	[B]
5	3787196M1	2	Support	[A]
6	394367X1	30	Locknut	M8
7	391039X1	24	Flat Washer	8-24 X 2
8	4274755M2	8	Plug	
9	4280841P91	1	Band	[C]
10	4279186M1	2	Plate	
11	3580117M1	20	Self Tap Screws	
12	3010910X1	4	Screw	M8 X 25
13	339761X1	2	Bolt	M8 X 25
	339009X1	2	Setscrew	M8 X 35
14	385361X1	12	Flat Washer	9-17 X 3,2
15	3386192M1	6	Washer	
	391039X1	2	Flat Washer	8-24 X 2
16	3009257X1	4	Screw	M6 X 35
	3009283X1	2	Screw	M6 X 30
17	3011669X1	8	Stud	M6 X 16
18	4280935M1	8	Nut	
19	3011714X1	2	Spacer	
20	385361X1	2	Flat Washer	
21	390246X1	2	Bolt	
22	4279187M1	1	Plate	
23	391039X1	2	Flat Washer	8-24 X 2
24	394367X1	2	Locknut	
25	4279200M2	4	Spacer	
26	4280885M1	3	Harness	

FOOTNOTE [A] FOR WHEELBASE 2,55 M

FOOTNOTE [B] FOR WHEELBASE 2,30 M

FOOTNOTE [C] THE APPROPRIATE SAFETY DECALS MUST BE ORDERED AND FITTED TO THIS PART

1-WU45-011-A

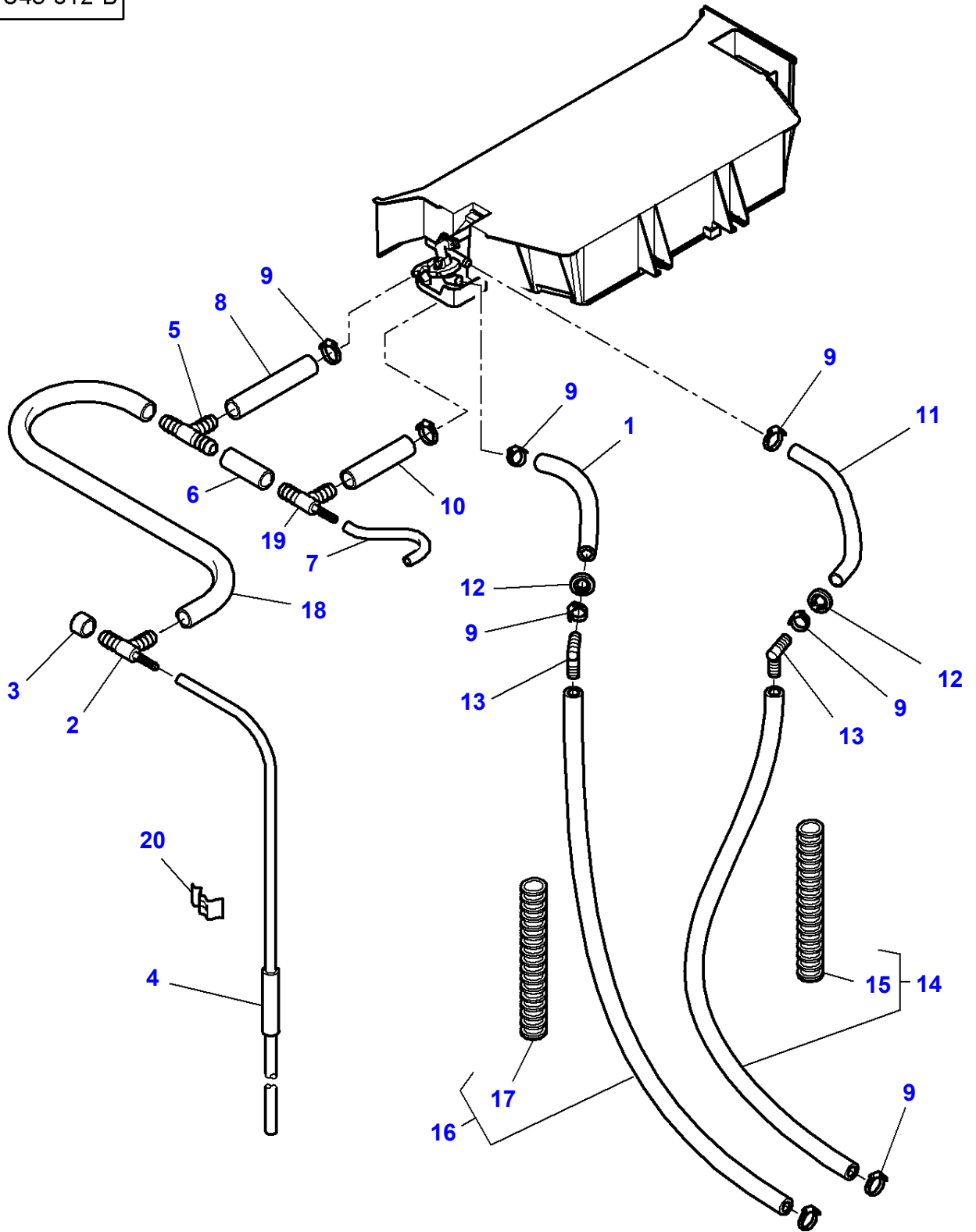


Massey Ferguson**MF 8470/8480 TRACTOR (TIER 3) - 3906071****3906071****Page 110-0140****Air Conditioner - Hose**

Item	Part Number	Qty	Description	Comments
1	4272839M95	1	Air Conditioner	[A] 110-0155/1
	4272840M93	1	Air Conditioner	[B] 110-0160/1
2	339337X1	4	Bolt	M8 X 30
3	391039X1	4	Flat Washer	8-24 X 2
4	3387512M1	8	Buffer	
5	3387513M1	4	Spacer	9-11 X 16
6	3011495X1	1	Bush	16 mm
7	3001758X1	2	Screw Metric	(1) M6 X 50
8	3786651M91	1	Tube Assy	(1)
9	3820743M1	1	O Ring	(8) 6,7 X 1,8
10	3820742M1	1	O Ring	(8) 13,4 X 2,4
11	3019564X1	2	Hose Clip	16-25
12	3777617M1	1	Hose	218 mm
13	3010683X1	1	T-Piece	
14	3778361M1	1	Water Hose	529 mm
15	3010471X1	1	O Ring	7,65 mm
16	3010473X1	1	O Ring	14 mm
17	3777737M1	1	Plug	
18	3388779M1	1	Union	
19	4275132M1	1	Hose	100 mm
20	3777615M1	1	Hose	179 mm
21	4273289M1	1	Hydr. Hose	2300 mm
22	4273290M1	1	Hydr. Hose	2400 mm
23	3011496X1	1	Bush	22 mm
24	3777613M1	1	Hose	60 mm
25	3388779M1	1	Union	
26	4276778M91	1	Tube Assy	850 mm

FOOTNOTE [A] MANUAL AIR CONDITIONER**FOOTNOTE [B]** AUTOMATIC AIR CONDITIONER

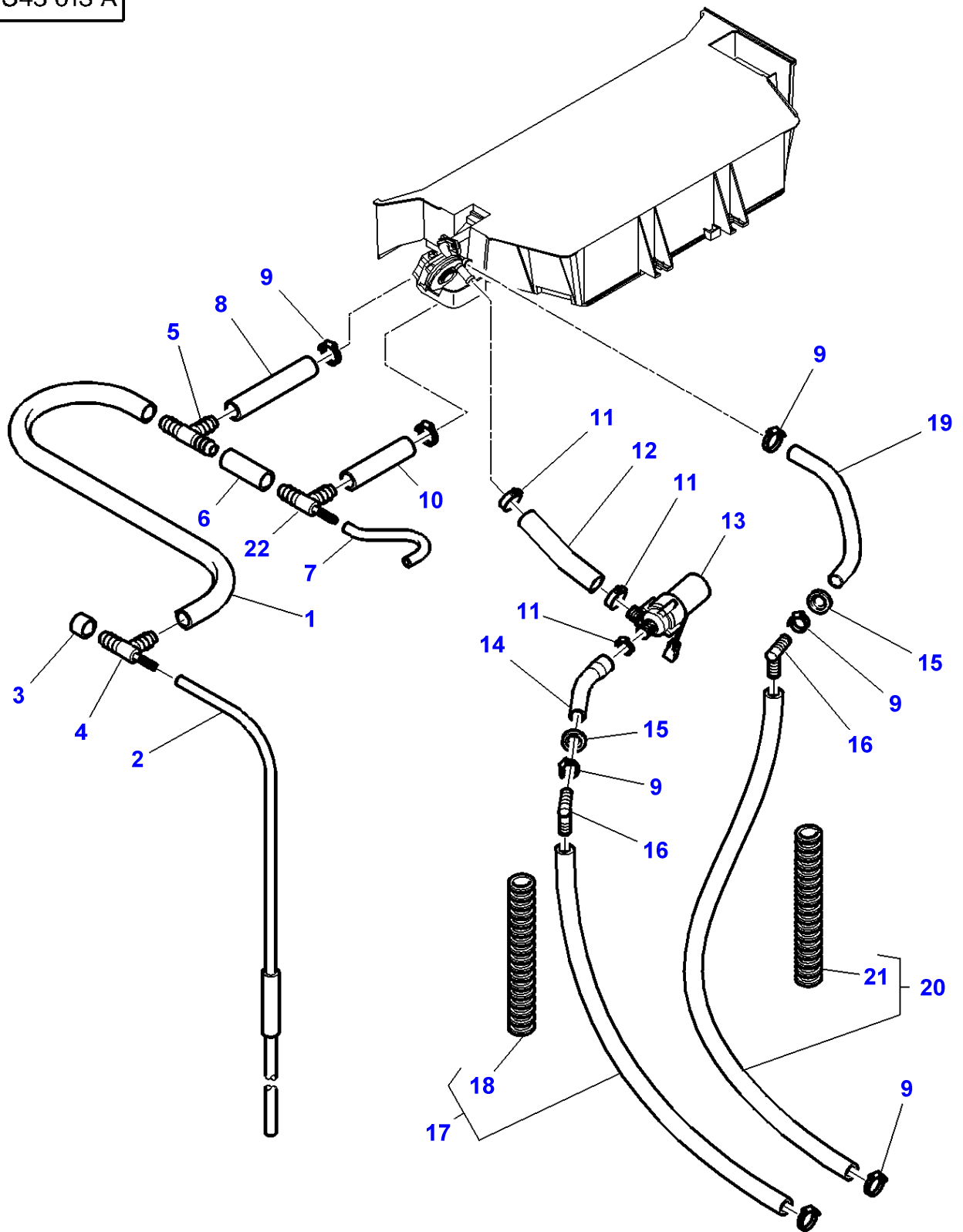
1-WU45-012-B



Massey Ferguson**MF 8470/8480 TRACTOR (TIER 3) - 3906071****3906071****Air Conditioner - Hose - Standard Roof - Manual Air Conditioner****Page 110-0145**

Item	Part Number	Qty	Description	Comments
1	3787186M1	1	Hose	200 mm
2	3388779M1	1	Union	
3	3777737M1	1	Plug	
4	4276778M91	1	Tube Assy	850 mm
5	3010683X1	1	T-Piece	
6	3777613M1	1	Hose	60 mm
7	4275132M1	1	Hose	100 mm
8	3777617M1	1	Hose	218 mm
9	3019564X1	6	Hose Clip	16-25
10	3777615M1	1	Hose	179 mm
11	3787187M1	1	Hose	330 mm
12	3788224M1	2	Grommet	
13	3788222M1	2	Elbow	
14	4277810M92	1	Hose	1720 mm
15	4272050M1	1	Sheath	(14) 400 mm
16	4277809M91	1	Hose	1740 mm
17	4272050M1	1	Sheath	(16) 400 mm
18	3778361M1	1	Water Hose	529 mm
19	3388779M1	1	Union	
20		X	Not Used	

1-WU45-013-A

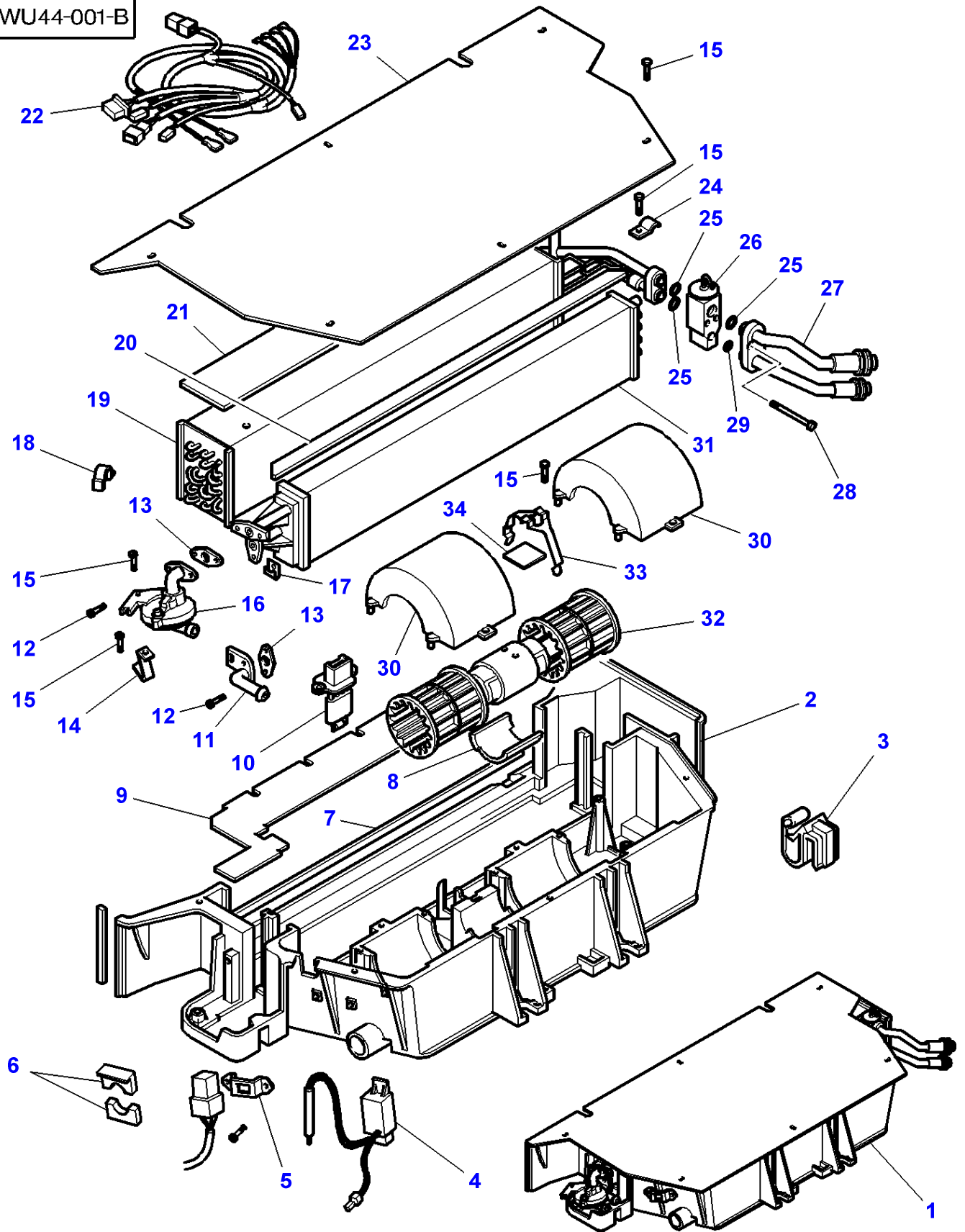


Massey Ferguson**MF 8470/8480 TRACTOR (TIER 3) - 3906071****3906071****Air Conditioner - Hose - Standard Roof - Automatic Air Conditioner****Page 110-0150**

Item	Part Number	Qty	Description	Comments
1	3778361M1	1	Water Hose	529 mm
2	4276778M91	1	Tube Assy	
3	3777737M1	1	Plug	
4	3388779M1	1	Union	
5	3010683X1	1	T-Piece	
6	3777613M1	1	Hose	60 mm
7	4275132M1	1	Hose	100 mm
8	3777617M1	1	Hose	218 mm
9	3019564X1	8	Hose Clip	16-25
10	3777615M1	1	Hose	179 mm
11	338614X1	3	Hose Clip	20-32
12	4271129M1	1	Hose	145 mm
13	3712744M1	1	Water Pump	
14	4272841M1	1	Hose	150 mm
15	3788224M1	2	Grommet	
16	3788222M1	2	Elbow	
17	4277809M91	1	Hose	1740 mm
18	4272050M1	1	Sheath	(17) 400 mm
19	3787187M1	1	Hose	330 mm
20	4277810M92	1	Hose	1720 mm
21	4272050M1	1	Sheath	(20) 400 mm
22	3388779M1	1	Union	

MF 8470/8480 TRACTOR (TIER 3) - 3906071
1-WU44-001-B

1-WU44-001-B



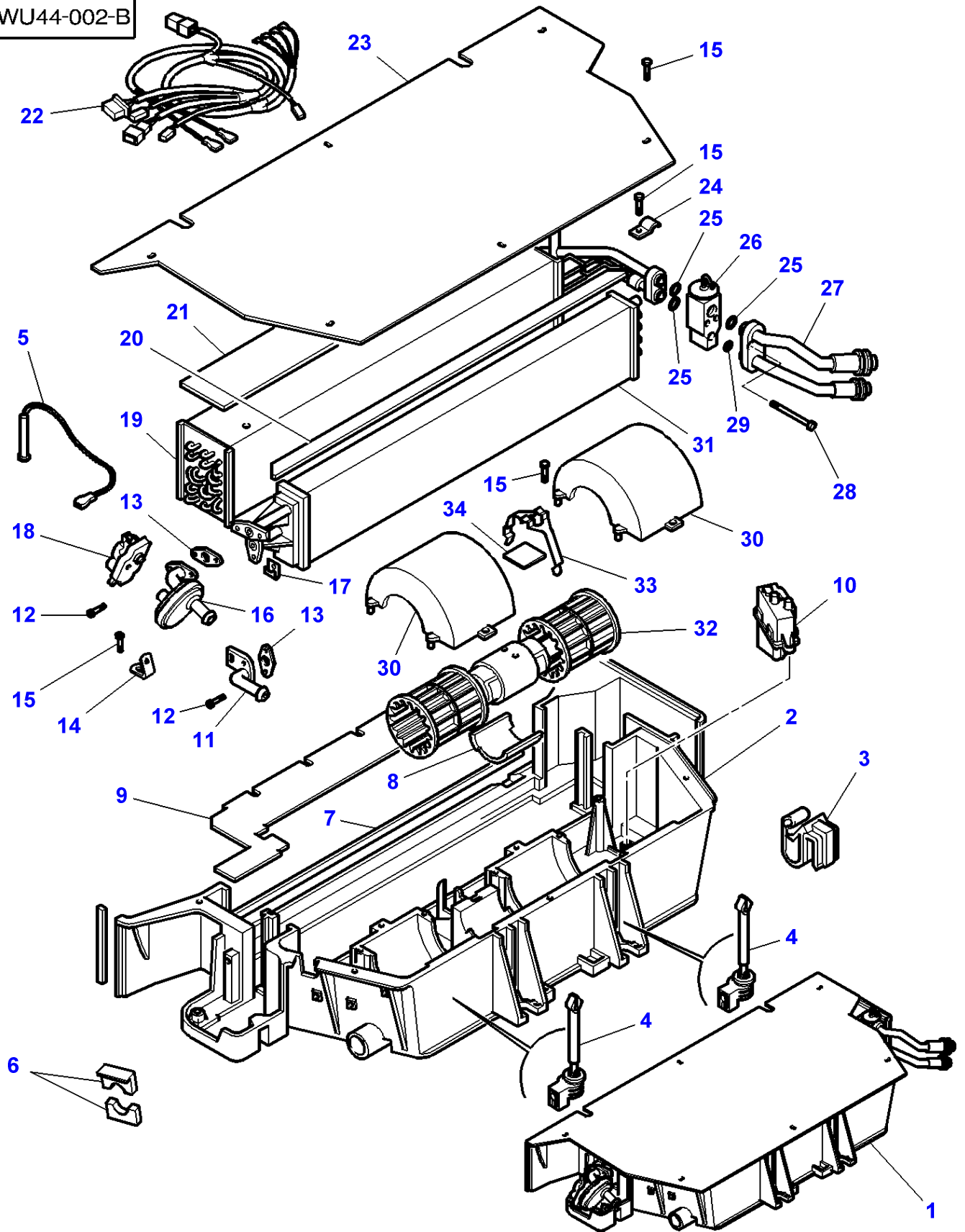
Item	Part Number	Qty	Description	Comments
1	4272839M95	1	Air Conditioner	[A]
2	3907307M1	1	Housing	(1)
3	F931.812.140.450	1	Cable Clamp	(1)
4	3907305M1	1	Thermostat	(1)
5	3907304M1	1	Strap	(1)
6	3907303M1	1	Foam	(1)
7	3902322M1	1	Foam	(1)
8	3907302M1	1	Protection.	(1)
9	3902329M2	1	Plate	(1)
10	3904295M2	1	Resistor	(1)
11	3907301M1	1	Elbow	(1)
12	3904319M1	4	Screw	(1) 4,8 X 19
13	F931.812.140.040	2	Joint.	(1)
14	3907296M1	1	Strap	(1)
15	365916X1	13	Self Tap Screws	(1) 4 X 12
16	3907300M1	1	Cock	(1)
17	3902090M1	4	Nut	(1)
18	3904589M1	1	Clip	(1)
19	3902331M92	1	Evaporator	(1)
20	3310849M1	1	Foam	(1)
21	3902332M1	1	Foam	(1)
22	3907299M92	1	Harness	(1)
23	3310839M1	1	Plate	(1)
24	3310836M1	1	Strap	(1)
25	3902500M1	3	Gasket	(1)
26	3902334M91	1	Regulator	(1)
27	3907298M91	1	Tubing	(1)
28	3904328M1	2	Screw	(1) M6 X 50
29	F931.812.140.330	1	O Ring	(1)
30	3310833M1	2	Cover	(1)
31	3310827M92	1	Radiator	(1)
32	3907297M91	1	Engine	(1)
33	3902320M1	1	Strap	(1)
34		1	Plate	[B] (1)

FOOTNOTE [A] MANUAL AIR CONDITIONER

FOOTNOTE [B] NOT DETAILED

MF 8470/8480 TRACTOR (TIER 3) - 3906071
1-WU44-002-B

1-WU44-002-B



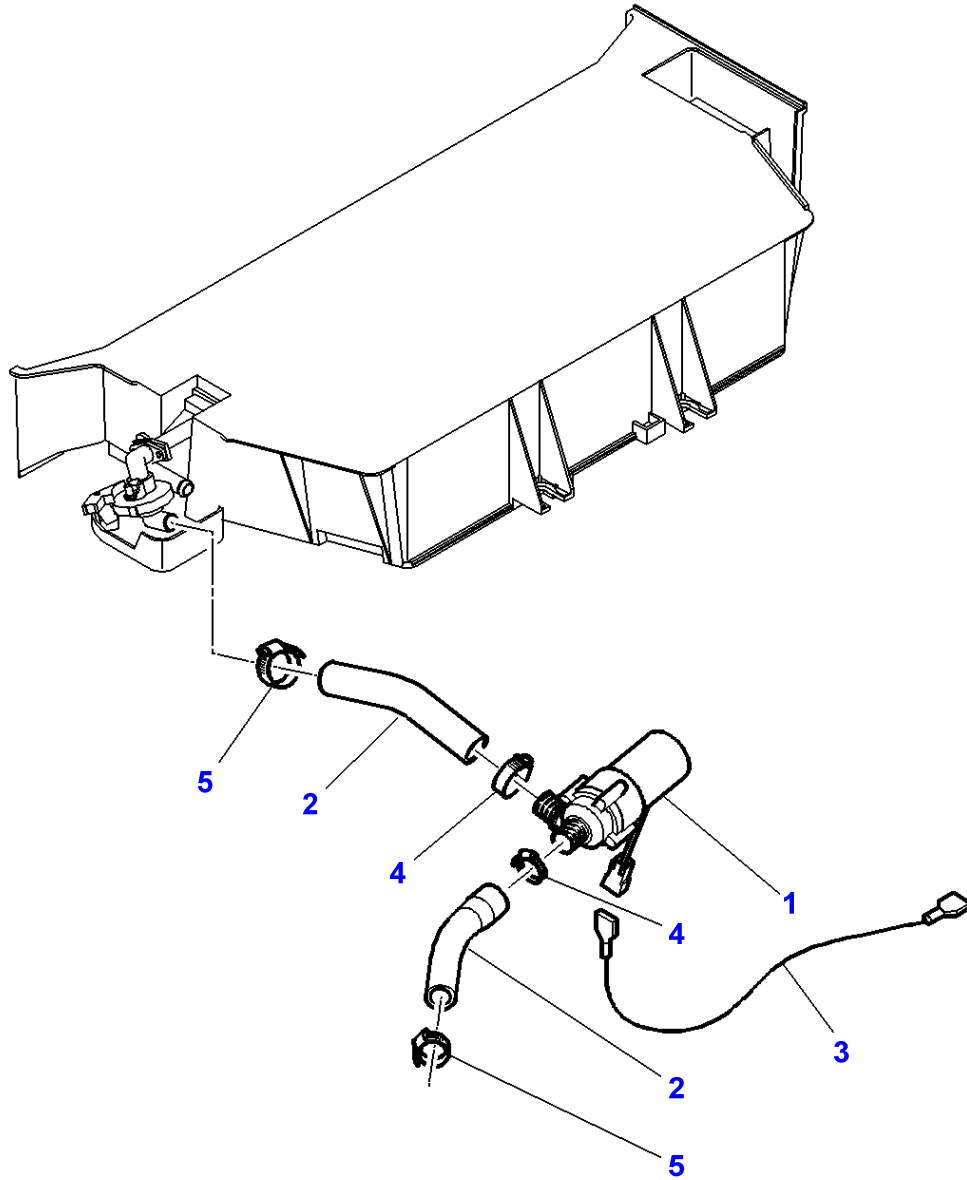
Air Conditioner - Standard Roof - Automatic Air Conditioner

Item	Part Number	Qty	Description	Comments
1	4272840M93	1	Air Conditioner	[A]
2	3907307M1	1	Housing	(1)
3	F931.812.140.450	1	Cable Clamp	(1)
4	3907313M1	2	Sensor	(1)
5	3907316M1	1	Sender	(1)
6	3907303M1	2	Foam	(1)
7	3902322M1	1	Foam	(1)
8	3907302M1	1	Protection.	(1)
9	3902329M2	1	Plate	(1)
10	3907310M1	1	Regulator	(1)
11	3907301M1	1	Elbow	(1)
12	3904319M1	4	Screw	(1) 4,8 X 19
13	F931.812.140.040	2	Joint.	(1)
14	3907314M1	1	Strap	(1)
15	365916X1	15	Self Tap Screws	(1) 4 X 12
16	3907312M1	1	Cock	(1)
17	3902090M1	4	Nut	(1)
18		1	Engine	(1) REF. 16
19	3902331M92	1	Evaporator	(1)
20	3310849M1	1	Foam	(1)
21	3902332M1	1	Foam	(1)
22	3907315M2	1	Harness	(1)
23	3310839M1	1	Plate	(1)
24	3310836M1	1	Strap	(1)
25	3902500M1	3	Gasket	(1)
26	3902334M91	1	Regulator	(1)
27	3907298M91	1	Tubing	(1)
28	3904328M1	2	Screw	(1)
29	F931.812.140.330	1	O Ring	(1)
30	3310833M1	1	Cover	(1)
31	3310827M92	1	Radiator	(1)
32	3907297M91	1	Engine	(1)
33	3902320M1	1	Strap	(1)
34		1	Plate	[B] (1)

FOOTNOTE [A] AUTOMATIC AIR CONDITIONER

FOOTNOTE [B] NOT DETAILED

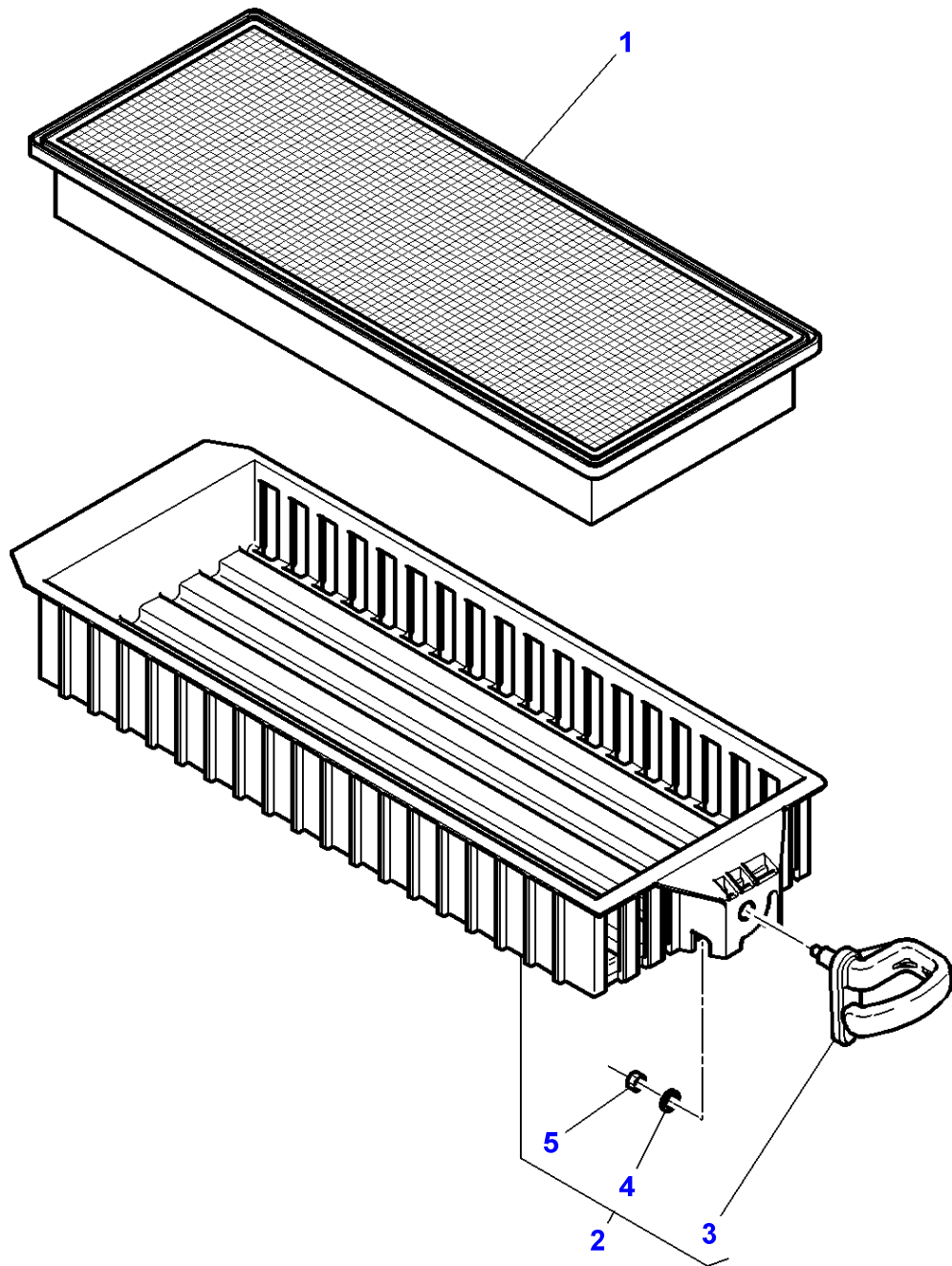
1-WU49-001-C



Massey Ferguson**MF 8470/8480 TRACTOR (TIER 3) - 3906071****3906071****Heater - High Cold - Standard Roof****Page 110-0165**

Item	Part Number	Qty	Description	Comments
1	3712744M1	1	Water Pump	
2	4272841M1	2	Hose	150 MM
3	4270484M1	1	Switch,Indirect	
4	338614X1	2	Hose Clip	20-32
5	3019564X1	2	Hose Clip	16-25

1-WU48-001-A

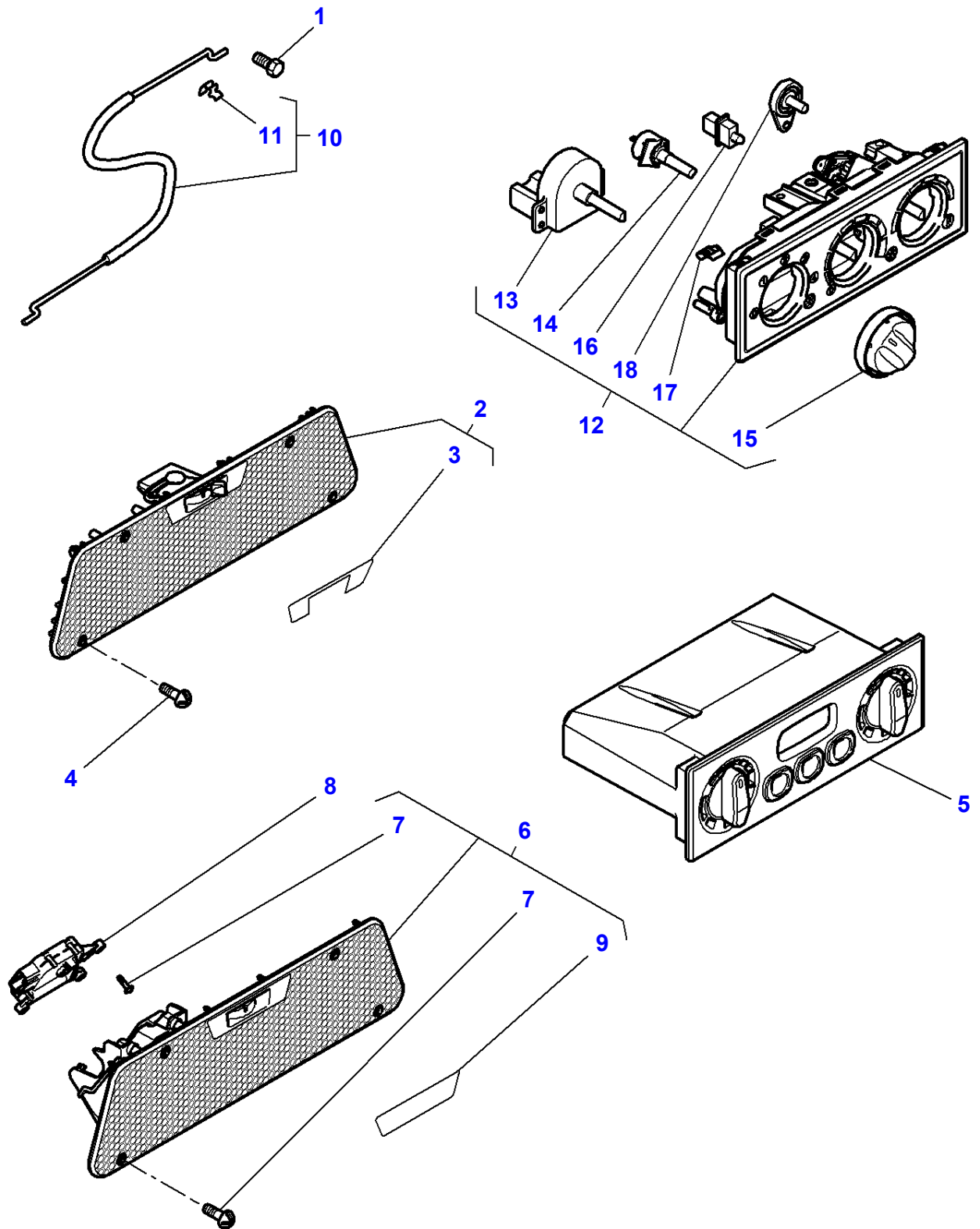


Massey Ferguson**MF 8470/8480 TRACTOR (TIER 3) - 3906071****3906071****Cab Filter****Page 110-0170**

Item	Part Number	Qty	Description	Comments
1	3786649M3	1	Cab Filter	200 X 500
	4271140M3	1	Cab Filter	[A]
2	3786650M91	1	Frame Assy	
3	3788950M91	1	Grip	(2)
4	390971X1	1	Flat Washer	(2) 6-12 X 1,5
5	1441462X1	1	Locknut	(2) M6

FOOTNOTE [A] CARBON FILTER

1-WU40-004-E



Heater Control - Standard Roof

Item	Part Number	Qty	Description	Comments
1	1442171X1	1	Hex. Sock. Screw	[A,C] M4 X 10
2	4273553M94	1	Ventilator	[A]
3	4273546M3	1	Decal	(2)
4	3010804X1	4	Screw	M4 X 16
5	3786660M95	1	Plate Control	[B,D]
6	4273543M93	1	Ventilator	[B]
7	4271132M1	7	Screw	[B] (6) M3,5 X 14
8	4271130M1	1	Engine	[B]
9	4272833M2	1	Decal	[B] (6)
10	4271161M1	1	Cable	[A]
11	1696477M1	1	Clip	[A] (10)
12	3786659M2	1	Plate Control	[A]
13	3907283M1	1	Switch	(12)
14	3907282M1	1	Potentiometer	(12)
15	3907285M1	3	Knob	(12)
16	3907284M1	1	Diode	(12)
17	3907642M1	4	Tie	(12)
18	3907909M1	1	Lever	(12)

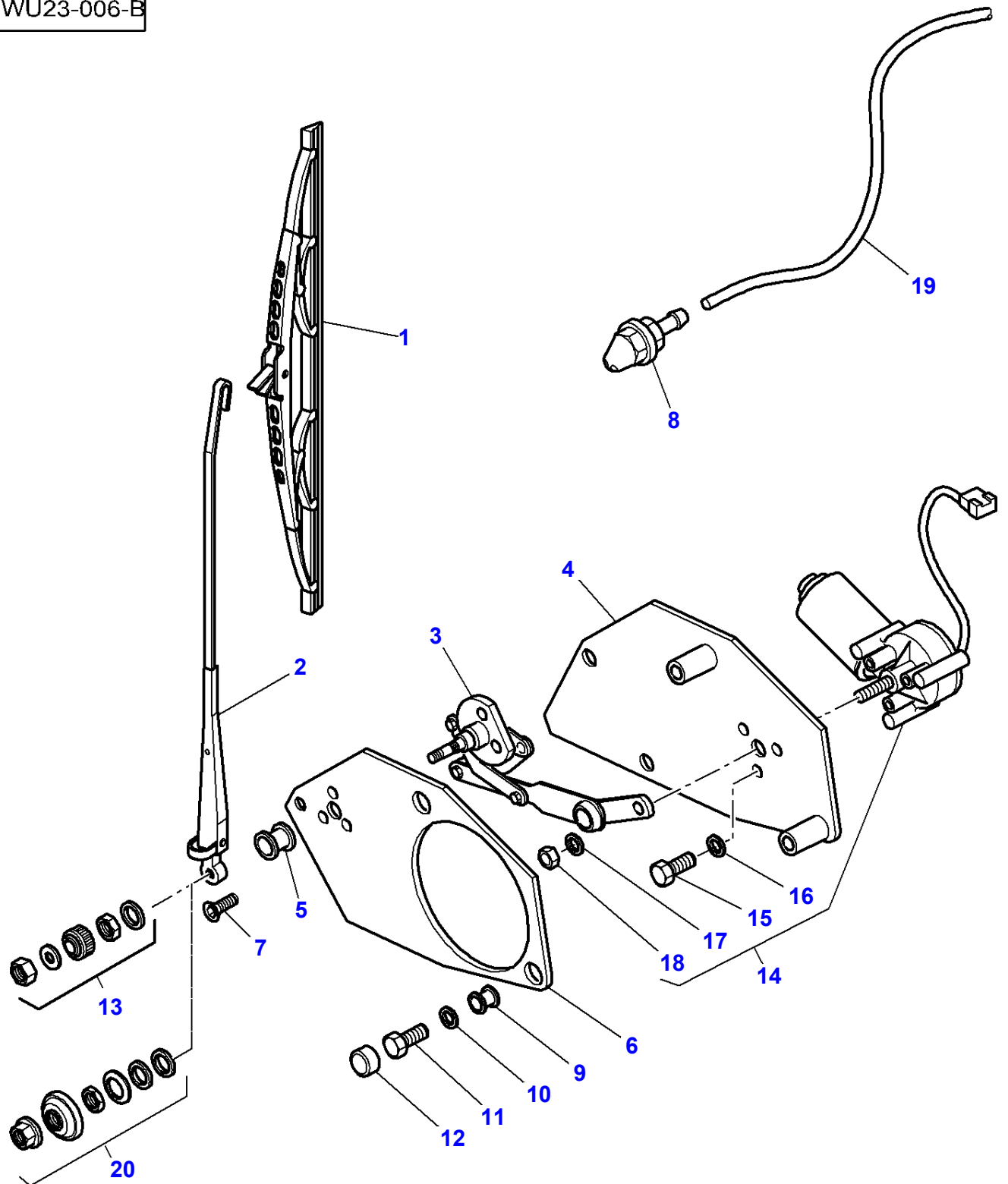
FOOTNOTE [A] MANUAL AIR CONDITIONER

FOOTNOTE [B] AUTOMATIC AIR CONDITIONER

FOOTNOTE [C] HEATER

FOOTNOTE [D] NOT DETAILED

1-WU23-006-B

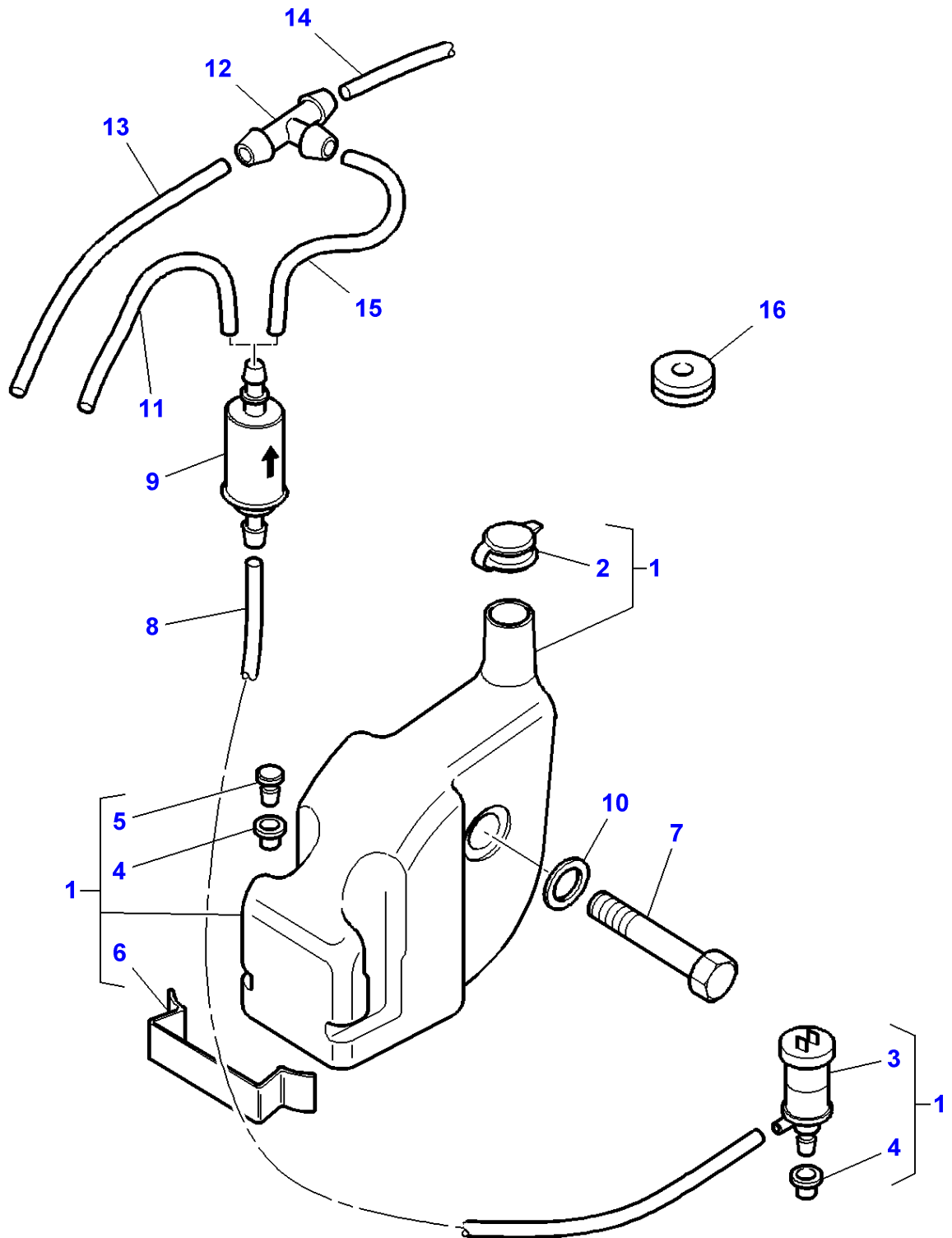


Front Windscreen Wiper

Item	Part Number	Qty	Description	Comments
1	4275053M1	1	Wiper Blade	500 MM
2	4275054M1	1	Wiper Arm	370 MM
3	4275056M2	1	Tie Rod	
4	3777699M2	1	Support	
5	4277495M1	1	Grommet	28 MM
6	3777700M2	1	Support	
7	3010762X1	3	Screw	M5 X 10
8	3389664M1	2	Jet	
9	4277496M1	2	Grommet	16 MM
10	391039X1	2	Flat Washer	8-24 X 2 MM
11	339337X1	2	Bolt	M8 X 30
12	3616277M1	2	Helmet	M8
13		X	Not Used	
14	4275055M1	1	Wiper Motor	
15	339560X1	3	Bolt	(14) M6 X 16
16		X	Not Used	
17	3008914X1	1	Tooth Washer	(14)
18	339169X1	1	Nut	(14) M8
19	3786778M1	1	Hose Flexible	[B] 1840 MM
	3786780M1	1	Hose Flexible	1550 MM
20	3907533M91	1	Kit, Hardware	

FOOTNOTE [B] WITHOUT REAR WIPER AND WASHER WINDSCREEN

1-WU24-001-C

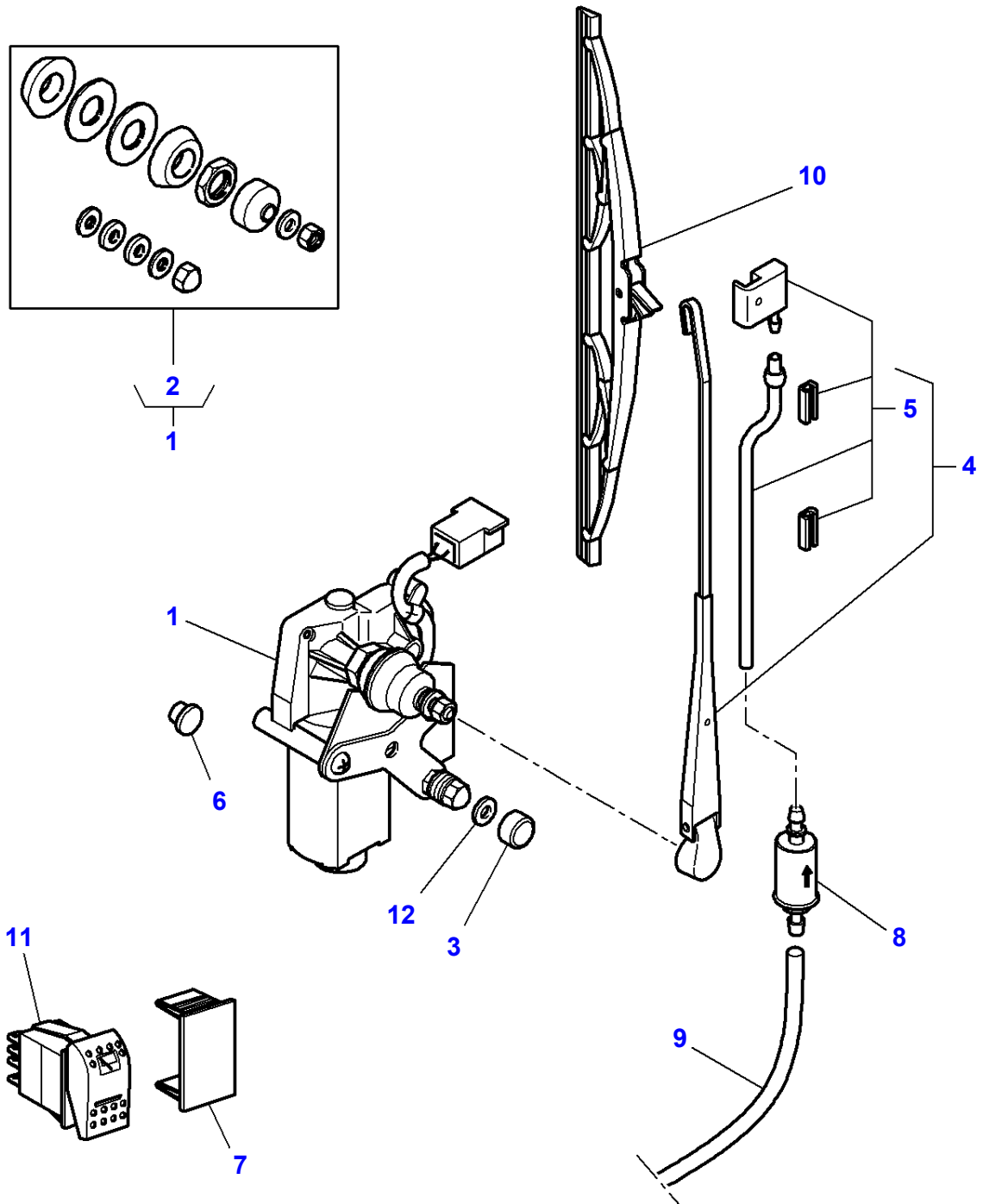


Massey Ferguson**MF 8470/8480 TRACTOR (TIER 3) - 3906071****3906071****Page 110-0185****Windscreen Washer**

Item	Part Number	Qty	Description	Comments
1	3786775M91	1	Tank	
2	3106496M1	1	Plug	(1)
3	3582441M1	1	Water Pump	(1)
4	3582443M1	2	Gasket	(1)
5	3582442M1	1	Plug	(1)
6	4274610M1	1	Clip	(1)
7	339368X1	1	Bolt	M8 X 60
8	3786779M2	1	Tube	1450 mm
9	3583086M1	1	Pressure Valve	
10	3010467X1	1	Washer	8-30 X 2
11	3786781M1	1	Hose Flexible	[A] 300 mm
12	3583069M1	1	T-Piece	
13	3786780M1	1	Hose Flexible	1550 mm
14	3786782M1	1	Hose Flexible	1580 mm
15	3786781M1	1	Hose Flexible	300 mm
16	3714694M1	1	Grommet	7-21 X 1,5
	3783677M1	1	Grommet	7-21 X 3

FOOTNOTE [A] WITHOUT REAR WIPER AND WASHER WINDSCREEN

1-WU25-008-A

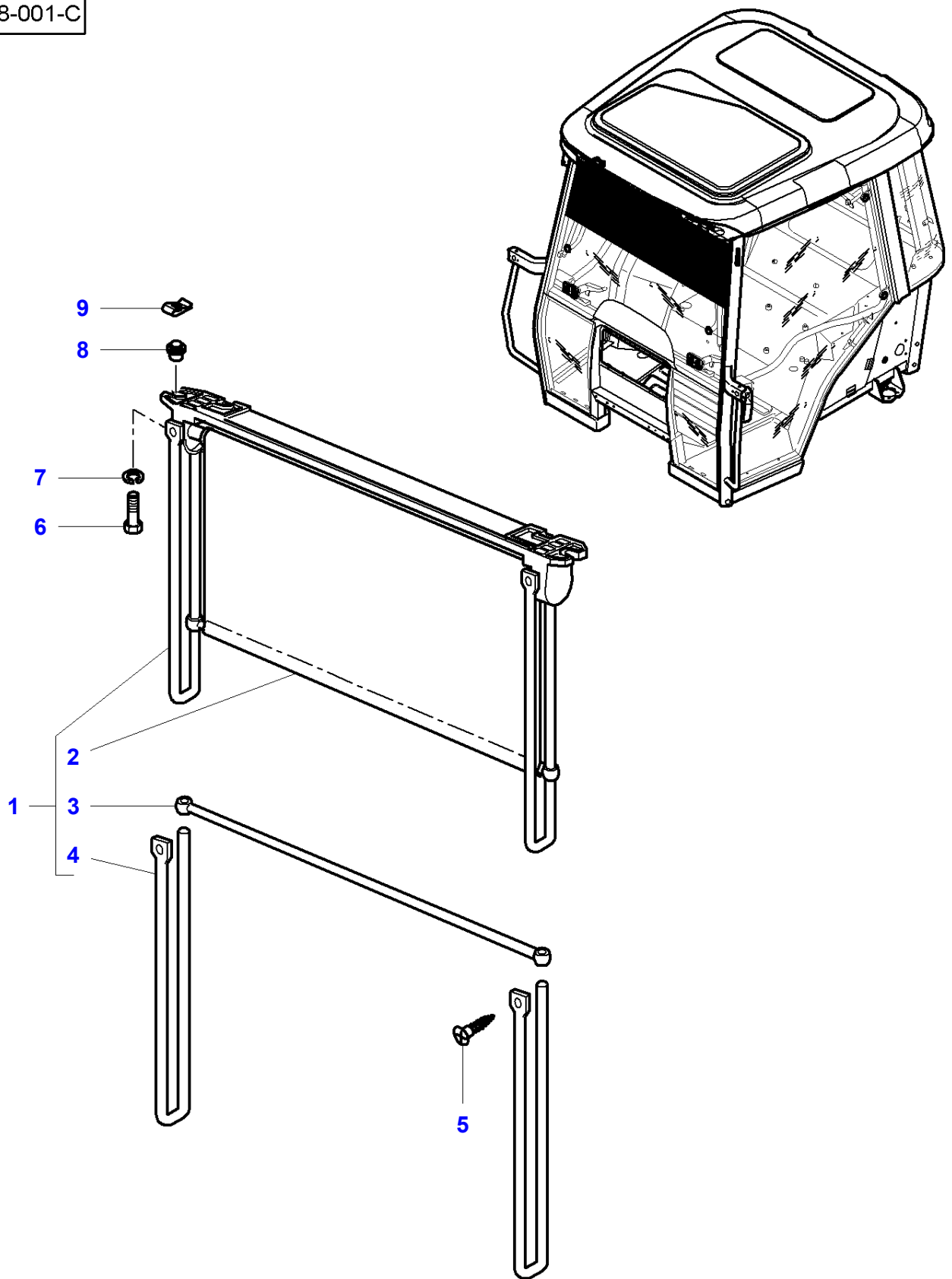


Massey Ferguson**MF 8470/8480 TRACTOR (TIER 3) - 3906071****3906071****Page 110-0190****Rear Window Wiper**

Item	Part Number	Qty	Description	Comments
1	4275051M1	1	Wiper Motor	
2	3907550M91	1	Parts Pack	(1)
3	3616277M1	1	Helmet	
4	4275050M1	1	Wiper Arm	372 MM
5	3907575M91	1	Parts Pack	(4)
6	3713742M1	1	Plug	[B] 9,5 MM
	3713741M1	1	Plug	[B] 17,5 MM
7	4290432M1	1	Shutter	[B] 3713151M1
8	3583086M1	1	Pressure Valve	
9	3786782M1	1	Hose Flexible	1580 MM
10	4275049M1	1	Wiper Blade	450 MM
11	4293538M1	1	Switch, Indirect	4271344M1
12	4274622M1	1	Washer	[A] 8 - 20 X 3 MM

FOOTNOTE [A] RUBBER**FOOTNOTE [B] WITHOUT REAR WIPER AND WASHER WINDSCREEN**

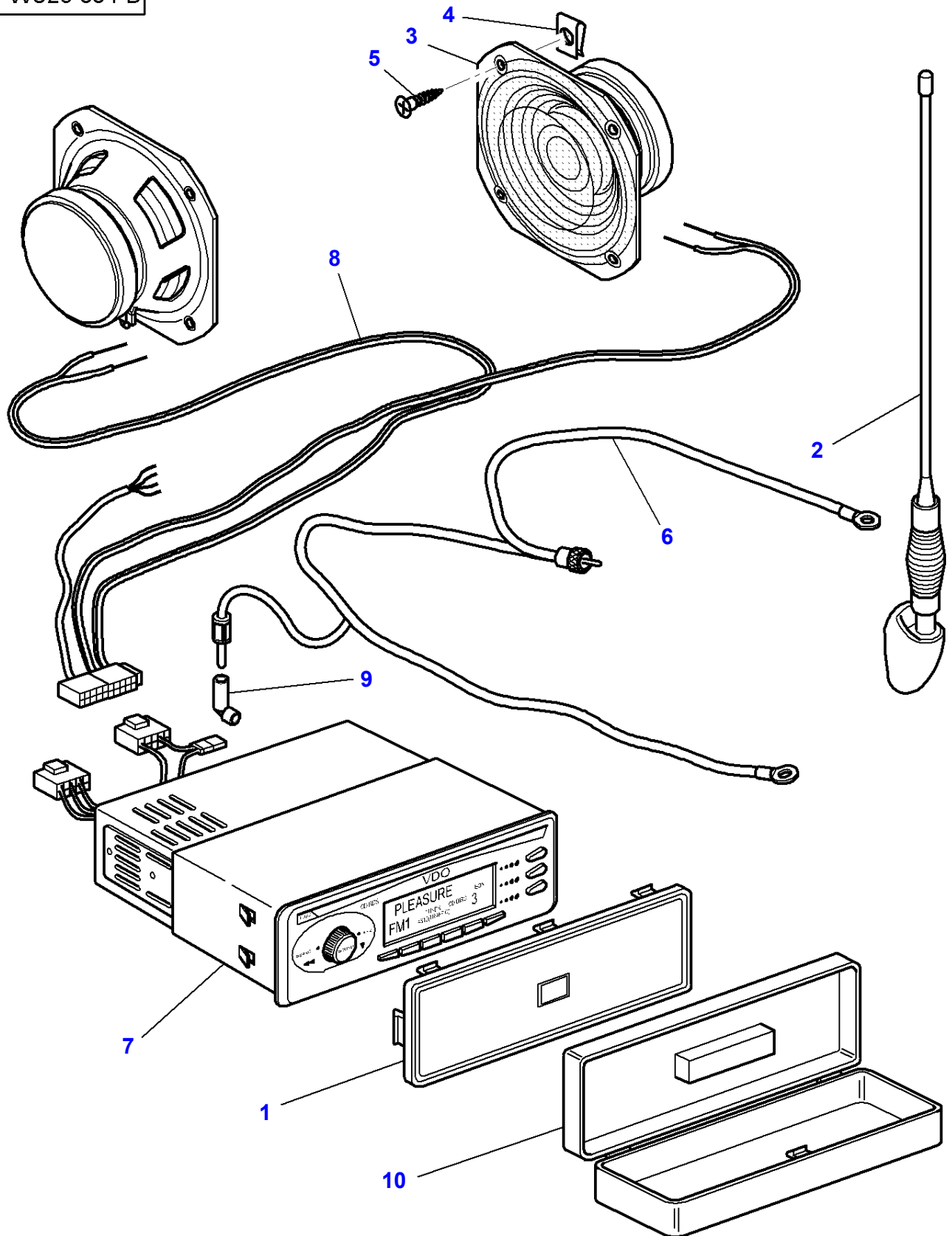
1-WU28-001-C



Massey Ferguson**MF 8470/8480 TRACTOR (TIER 3) - 3906071****3906071****Canopy - Standard Roof****Page 110-0195**

Item	Part Number	Qty	Description	Comments
1	3714072M91	1	Canopy	
2	3902176M91	1	Panel	(1)
3	3902175M91	1	Bar	(1)
4	3902174M91	2	Rod	(1)
5	365924X1	2	Self Tap Screws	(1)
				CBZ No 10 X 16
6	1440350X1	2	Screw Metric	P254025
				M6 X 20
	339804X1	2	Bolt	P254026
				M6 X 25
7	339375X1	2	Spring Washer	
8	3580774M1	2	Nut	P254025
				M6
9	3010070X1	2	Spring Nut	P254026
				M6

1-WU26-004-D



Radio Installation

Item	Part Number	Qty	Description	Comments
1	3580173M1	1	Plate	[A]
2	5017951M91	1	Antenna	
3	4274735M1	2	Speaker	3808855M1
4	3715142M1	8	Spring Nut	M5
5	3010506X1	8	Screw	M5 X 16
6	5017953M1	1	Cable	
7	4271751M91	1	Radio Cas Push B	[B]
	4285759M91	1	Radio Push Butt.	[C]
				...
	4293407M91	1	Radio Push Butt.	[C]
				...
	4290739M91	1	Radio Push Butt.	[D]
				...
	4293408M91	1	Radio Push Butt.	[D]
				...
8	3786676M3	1	Harness	
9	4290813M1	1	Adaptor	
10	4291243M1	1	Stuffing Box	[E]

FOOTNOTE [A] WITHOUT RADIO

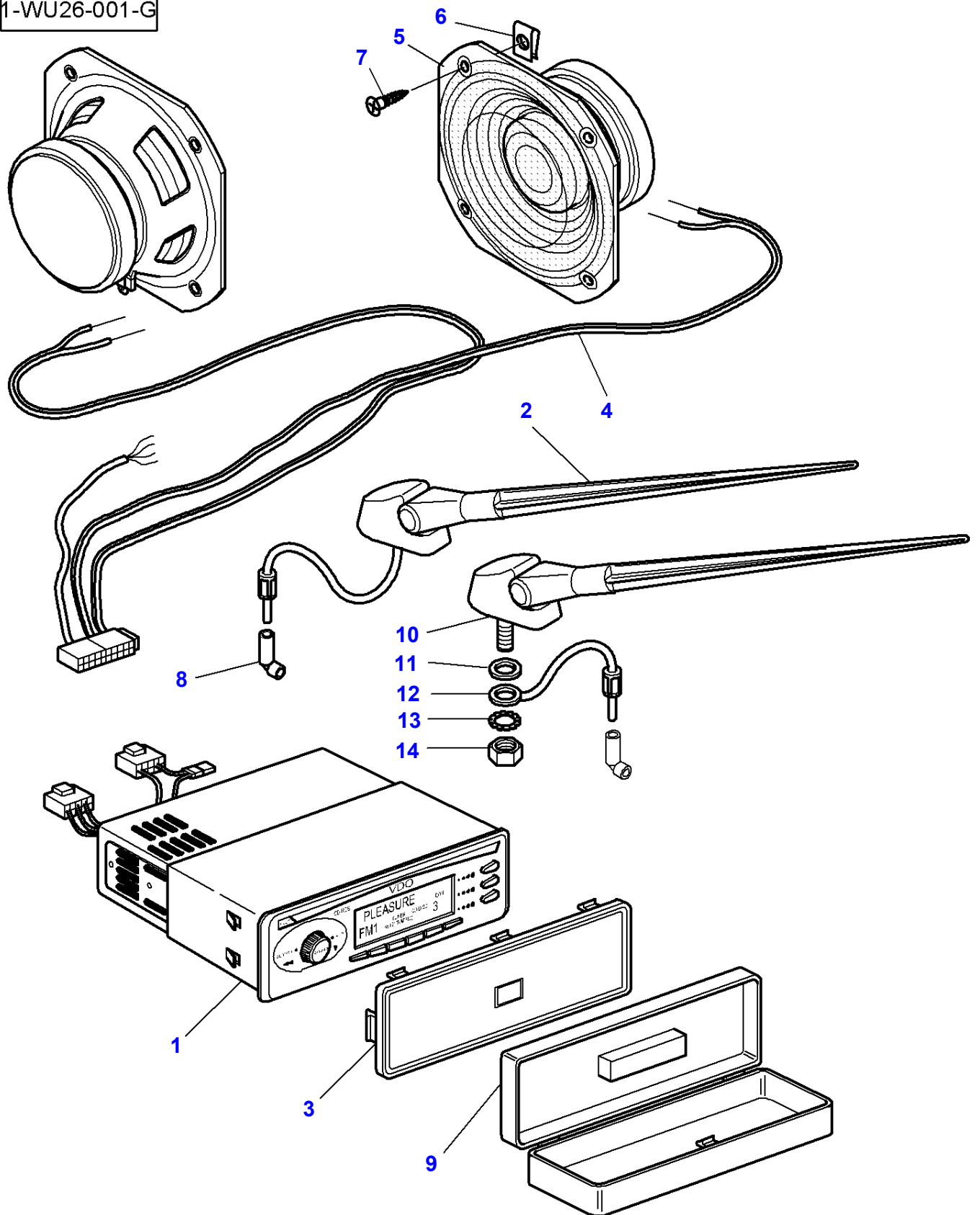
FOOTNOTE [B] RADIO / CASSETTE

FOOTNOTE [C] RADIO / CD

FOOTNOTE [D] WITH RADIO CD MP3 + PHONE INTAKE

FOOTNOTE [E] FOR RADIO CD MP3 + PHONE INTAKE

1-WU26-001-G



Radio Installation

Item	Part Number	Qty	Description	Comments
1	4271751M91	1	Radio Cas Push B	[B]
	4285759M91	1	Radio Push Butt.	[D]
				...
	4293407M91	1	Radio Push Butt.	[D]
				...
	4290739M91	1	Radio Push Butt.	[E]
				...
	4293408M91	1	Radio Push Butt.	[E]
				...
2	4277283M92	1	Top Aerial	S134043
3	3580173M1	1	Plate	[A]
4	3786676M3	1	Harness	
5	4274735M1	2	Speaker	
6	3715142M1	8	Spring Nut	
7	3010506X1	8	Screw	M5 X 16
8	4290813M1	1	Adaptor	
9	4291243M1	1	Stuffing Box	[F]
10	4277281M2	1	Top Aerial	S134044
11	3019560X1	1	Washer	S134044
				5-15 X 1,5
12	3388674M2	1	Cable	S134044
				800 MM
13	1441100X1	1	Tooth Washer	S134044
				5-10 X 1,2
14	1441494X1	1	Nut Metric	S134044
				M5

FOOTNOTE [A] WITHOUT RADIO

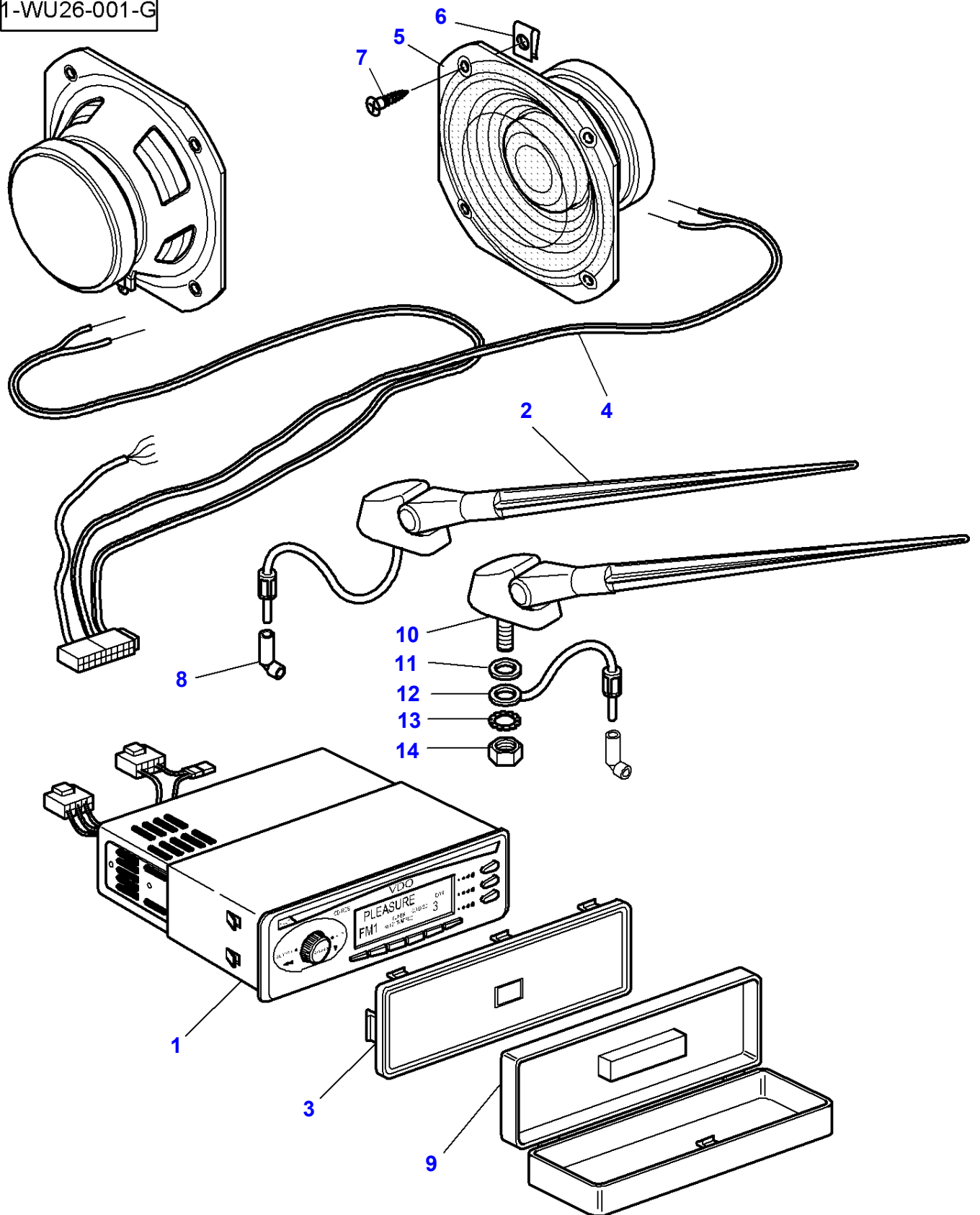
FOOTNOTE [B] RADIO / CASSETTE

FOOTNOTE [D] RADIO / CD

FOOTNOTE [E] WITH RADIO CD MP3 + PHONE INTAKE

FOOTNOTE [F] FOR RADIO CD MP3 + PHONE INTAKE

1-WU26-001-G



Radio Installation

Item	Part Number	Qty	Description	Comments
1	4271751M91	1	Radio Cas Push B	[B]
	4285759M91	1	Radio Push Butt.	[D]
				...
	4293407M91	1	Radio Push Butt.	[D]
				...
	4290739M91	1	Radio Push Butt.	[E]
				...
	4293408M91	1	Radio Push Butt.	[E]
				...
2	4277283M92	1	Top Aerial	S134043
3	3580173M1	1	Plate	[A]
4	3786676M3	1	Harness	
5	4274735M1	2	Speaker	
6	3715142M1	8	Spring Nut	
7	3010506X1	8	Screw	M5 X 16
8	4290813M1	1	Adaptor	
9	4291243M1	1	Stuffing Box	[F]
10	4277281M2	1	Top Aerial	S134044
11	3019560X1	1	Washer	S134044
				5-15 X 1,5
12	3388674M2	1	Cable	S134044
				800 MM
13	1441100X1	1	Tooth Washer	S134044
				5-10 X 1,2
14	1441494X1	1	Nut Metric	S134044
				M5

FOOTNOTE [A] WITHOUT RADIO

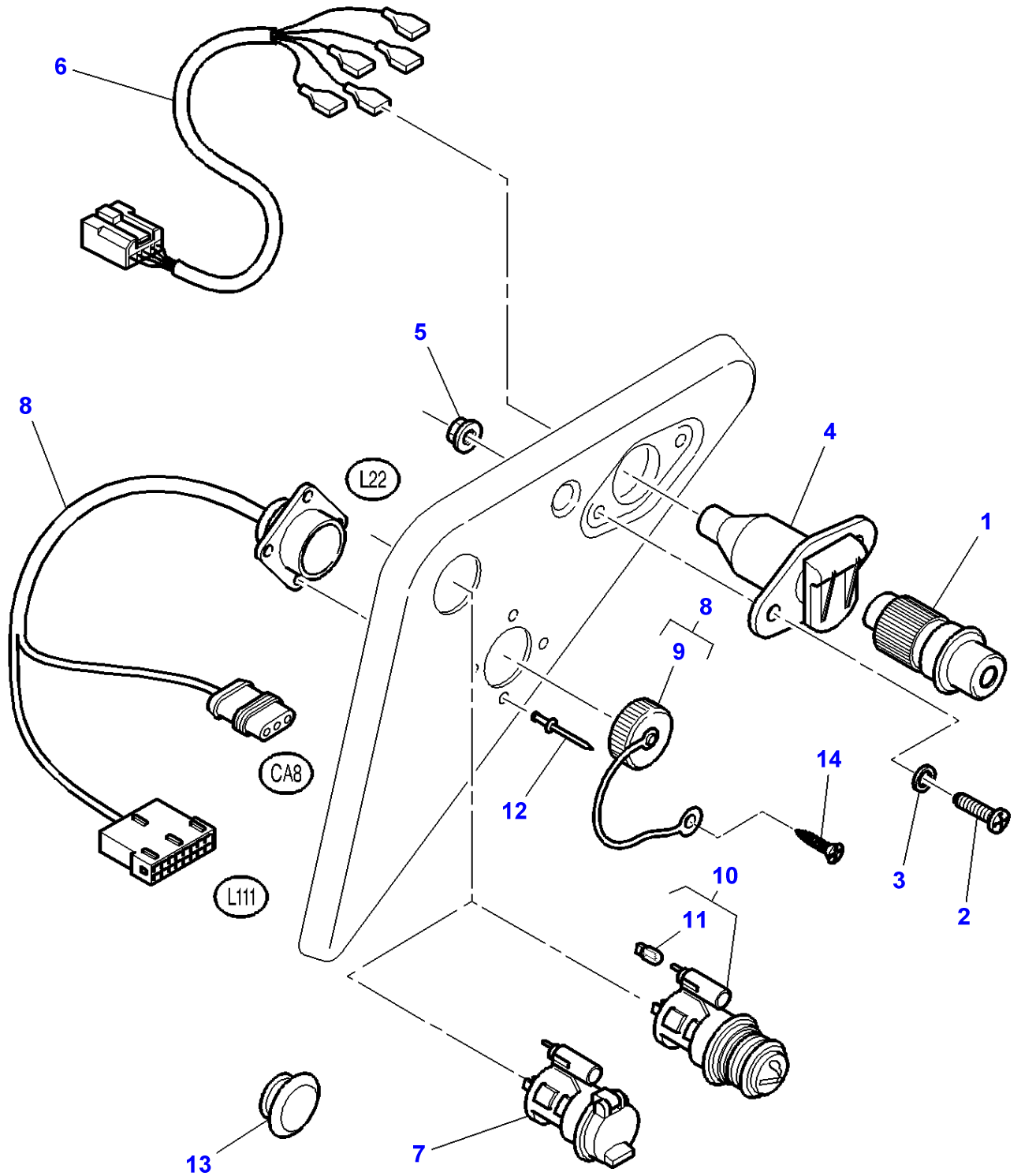
FOOTNOTE [B] RADIO / CASSETTE

FOOTNOTE [D] RADIO / CD

FOOTNOTE [E] WITH RADIO CD MP3 + PHONE INTAKE

FOOTNOTE [F] FOR RADIO CD MP3 + PHONE INTAKE

1-WU33-002-D

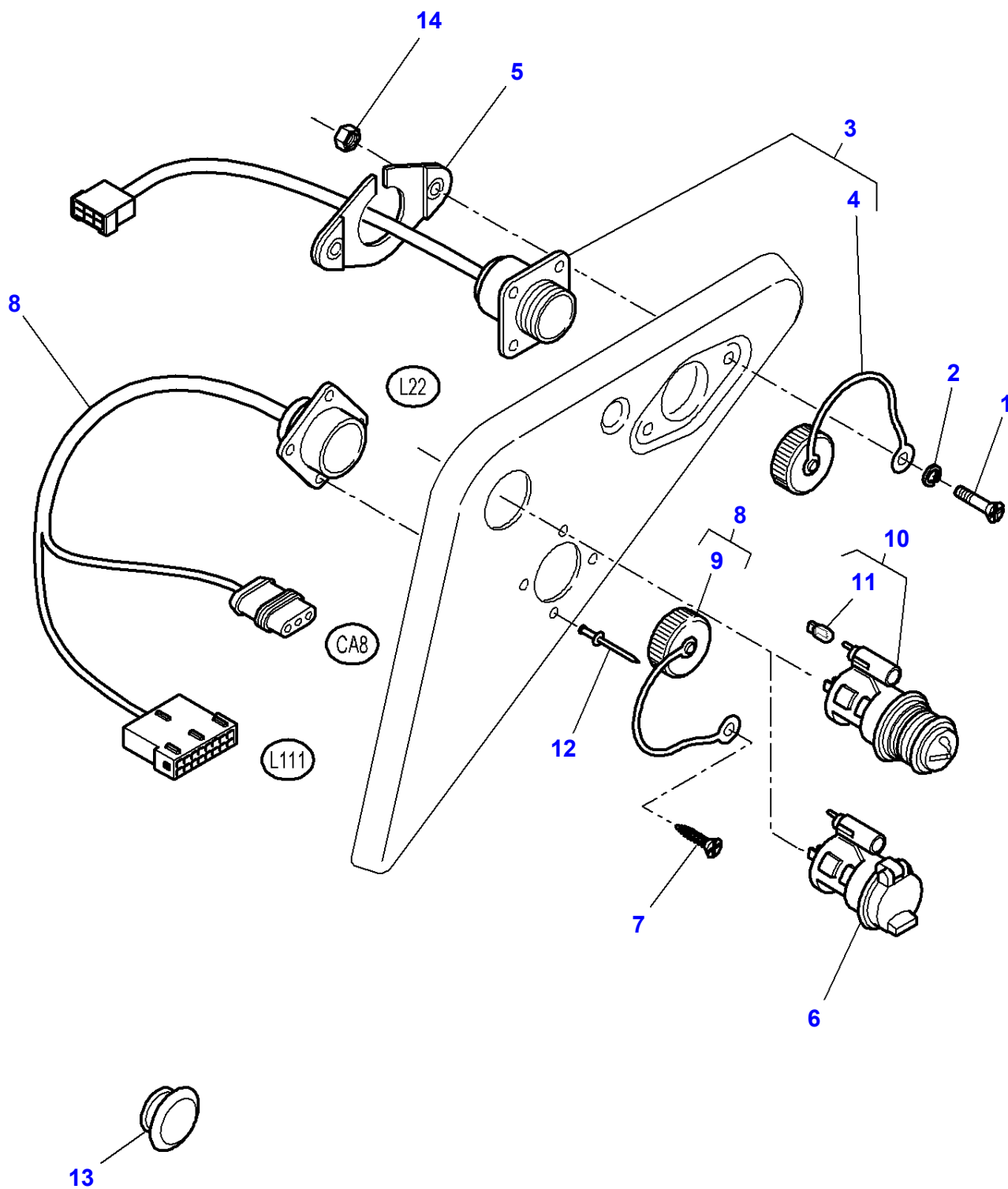


Massey Ferguson**MF 8470/8480 TRACTOR (TIER 3) - 3906071****3906071****Electrical Plug & Cigar Lighter - ISO STANDARD****Page 110-0210**

Item	Part Number	Qty	Description	Comments
1	G205.900.900.020	1	Electrical Plug	
2	3010804X1	2	Screw	M4 X 16
3	3001856X1	2	Washer	4-12 X 1,1
4	3713127M1	1	Electric Socket	3760033M1
5	1443615X1	2	Nut	M4
6	3714516M2	1	Harness	
7	4272534M1	1	Intake	[B]
8	3778708M2	1	Harness	[A]
9	3900383M1	1	Plug	(8)
10	3617848M91	1	Lighter	
11	3405185M1	1	Bulb 12v 1.2w	(10)
12	3011214X1	4	Rivet	3,2 MM
13	4275985M1	1	Tap	25,4
14	3580257M1	1	Screw	M5X20

FOOTNOTE [A] WITHOUT DATATRONIC**FOOTNOTE [B]** PHONE INTAKE

1-WU33-008-A



Massey Ferguson**MF 8470/8480 TRACTOR (TIER 3) - 3906071****3906071****Electrical Plug & Cigar Lighter - SAE STANDARD****Page 110-0215**

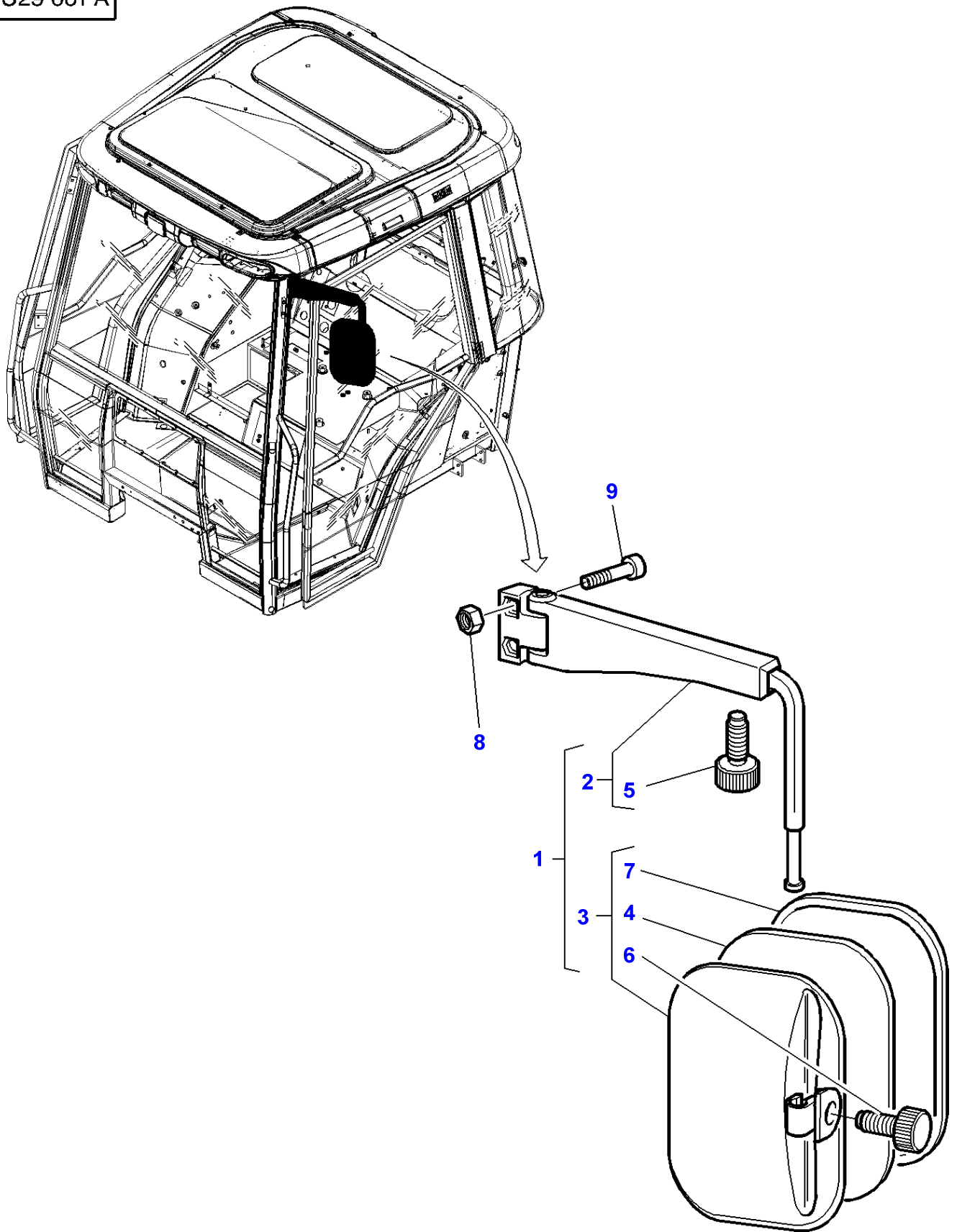
Item	Part Number	Qty	Description	Comments
1	3010804X1	2	Screw	M4 X 16
2	3001856X1	2	Washer	4-12 X 1,1
3	3786495M3	1	Intake	
4	3900383M1	1	Plug	(3)
5	4273771M2	1	Plate	
6	4272534M1	1	Intake	[B]
7	3580257M1	1	Screw	M5 X 20
8	3778708M2	1	Harness	[A]
9	3900383M1	1	Plug	(8)
10	3617848M91	1	Lighter	
11	3405185M1	1	Bulb 12v 1.2w	(10)
12	3011214X1	4	Rivet	3,20 mm
13	4275985M1	1	Tap	25,4-32 mm
14	1443615X1	2	Nut	M4

FOOTNOTE [A] WITHOUT DATATRONIC**FOOTNOTE [B]** PHONE INTAKE

Internal Mirrors

Item	Part Number	Qty	Description	Comments
1	3806618M91	1	Mirror	
2	3778091M1	1	Clevis Pin	
3	339402X1	1	Nut	M10
4	3904487M1	1	Mirror Glass	(1)
5	3904491M1	1	Gasket	(1)
6	390734X1	1	Flat Washer	
7	3806618M91	1	Mirror	
8	3904491M1	1	Gasket	(7)
9	3904487M1	1	Mirror Glass	(7)
10	3581239M1	1	Clevis Pin	
11	385362X1	2	Washer	10-20 X 3
12	3581507M1	1	Clip	18 - M10
13	391026X1	1	Tooth Washer	10-18
14	339402X1	1	Nut	M10

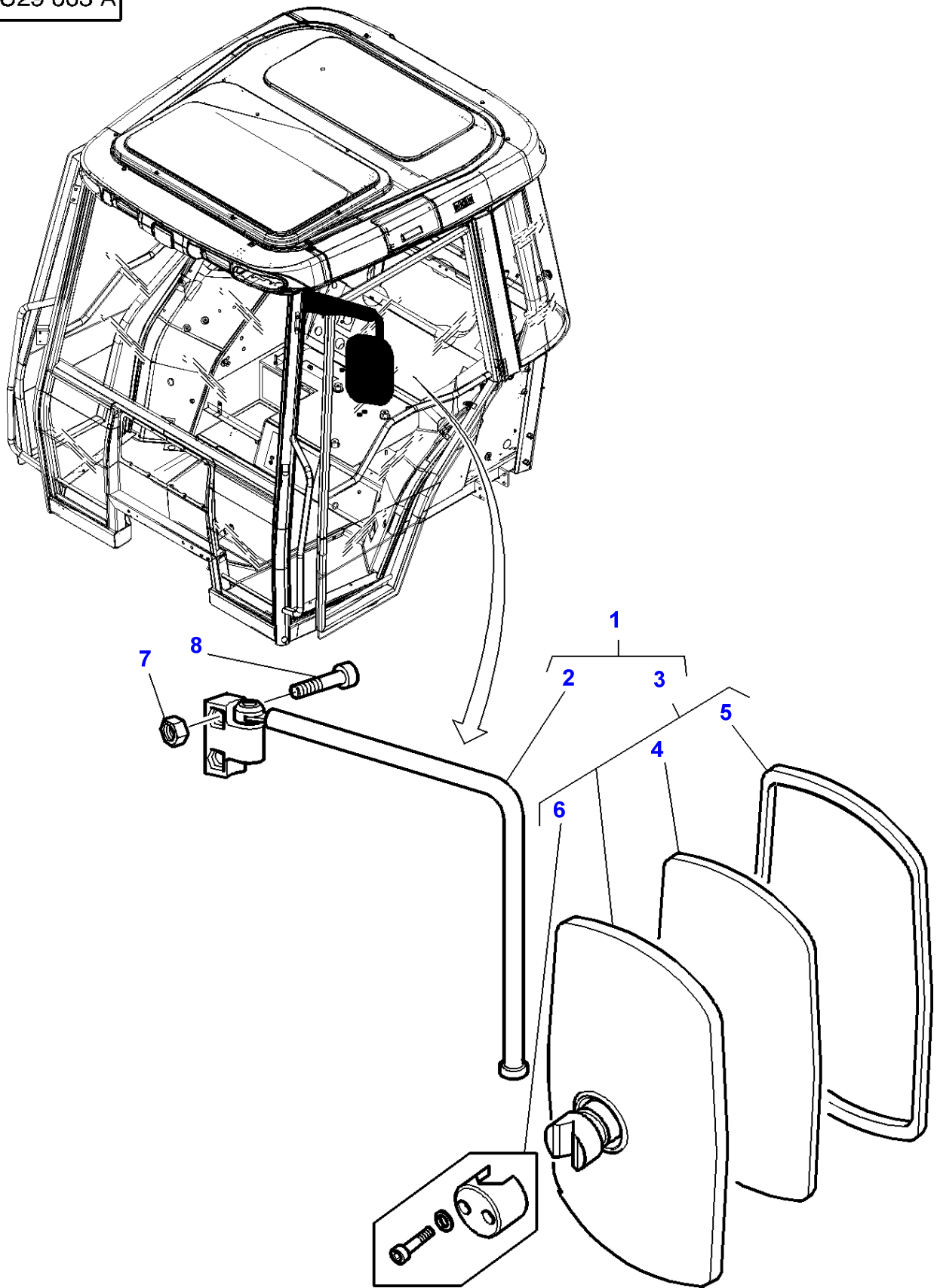
1-WU29-001-A



External Mirrors

Item	Part Number	Qty	Description	Comments
1	3787146M91	1	Mirror	
	3787147M91	1	Mirror	
2	3787145M91	1	Arm	(1)
3	3787152M1	1	Mirror	(1)
4	3904488M1	1	Mirror Glass	(3)
5	3907103M1	1	Setscrew	(2)
6	3907108M1	1	Setscrew	(3)
7	3907109M1	1	Gasket	(3)
8	1440329X1	4	Locknut	M10
9	3011368X1	4	Screw	M10 X 30

1-WU29-003-A



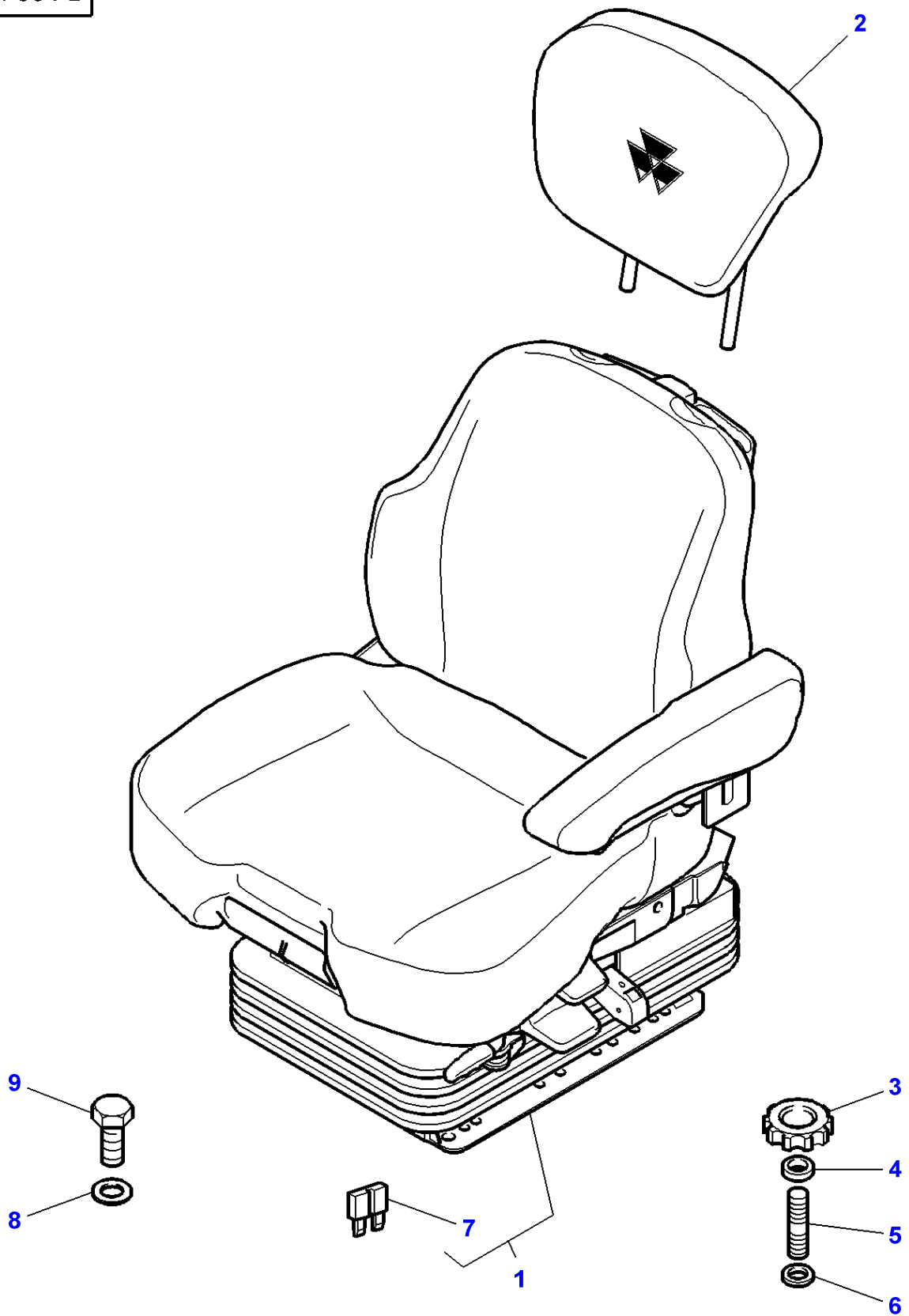
External Mirrors

Item	Part Number	Qty	Description	Comments
1	3787148M91	1	Mirror	
	3787149M91	1	Mirror	
2	3787144M91	1	Arm	(1)
3	3806614M91	1	Mirror	(1)
4	1894397M1	1	Mirror Glass	(3) 172 X 280 MM
5	3904489M1	1	Gasket	(3)
6	3907105M91	1	Parts Pack	(3)
7	1440329X1	4	Locknut	M10
8	3011368X1	4	Screw	M10 X 30

Massey Ferguson**MF 8470/8480 TRACTOR (TIER 3) - 3906071****3906071****Page 110-0235****Electric Control Rear Reflecting Miror**

Item	Part Number	Qty	Description	Comments
1	3787154M91	1	Mirror	
	3787155M91	1	Mirror	
2	3787156M91	1	Arm	(1)
3	3907103M1	1	Setscrew	(2)
4	3787157M1	1	Mirror	(1)
5	3904493M1	4	Gusset	(4)
6	3904492M1	1	Gasket	(4)
7	3907104M1	1	Mirror Glass	(4)
8	3907102M91	1	Parts Pack	(4)
9	4270273M1	1	Drive	
10	4293539M1	1	Switch,Indirect	4271345M1
11	4271865M2	1	Harness	
12	1440329X1	4	Locknut	M10
13	3011368X1	4	Screw	M10 X 30

1-WV01-004-B



Seat

Item	Part Number	Qty	Description	Comments
1	4272521M93	1	Seat	[A] 110-0260 110-0265
	4272520M93	1	Seat	[B] 110-0245 110-0250
	4272517M93	1	Seat	[C] 110-0245 110-0255
2	4272525M91	1	Head Rest	[B,C]
	4272525M91	1	Head Rest	[A] S079031
	4289254M91	1	Head Rest	[A] S079032
3	3786216M1	2	Button	
4	3619096M1	2	Washer	10,5-32X5
5	3008483X1	2	Stud	M10X35
6	3778519M1	2	Washer	10-27X1,8
7	3387322M1	1	Fuse	[A,B] (1) 25 AMP.
8	390972X1	4	Flat Washer	
9	3009285X1	4	Screw	M8X16

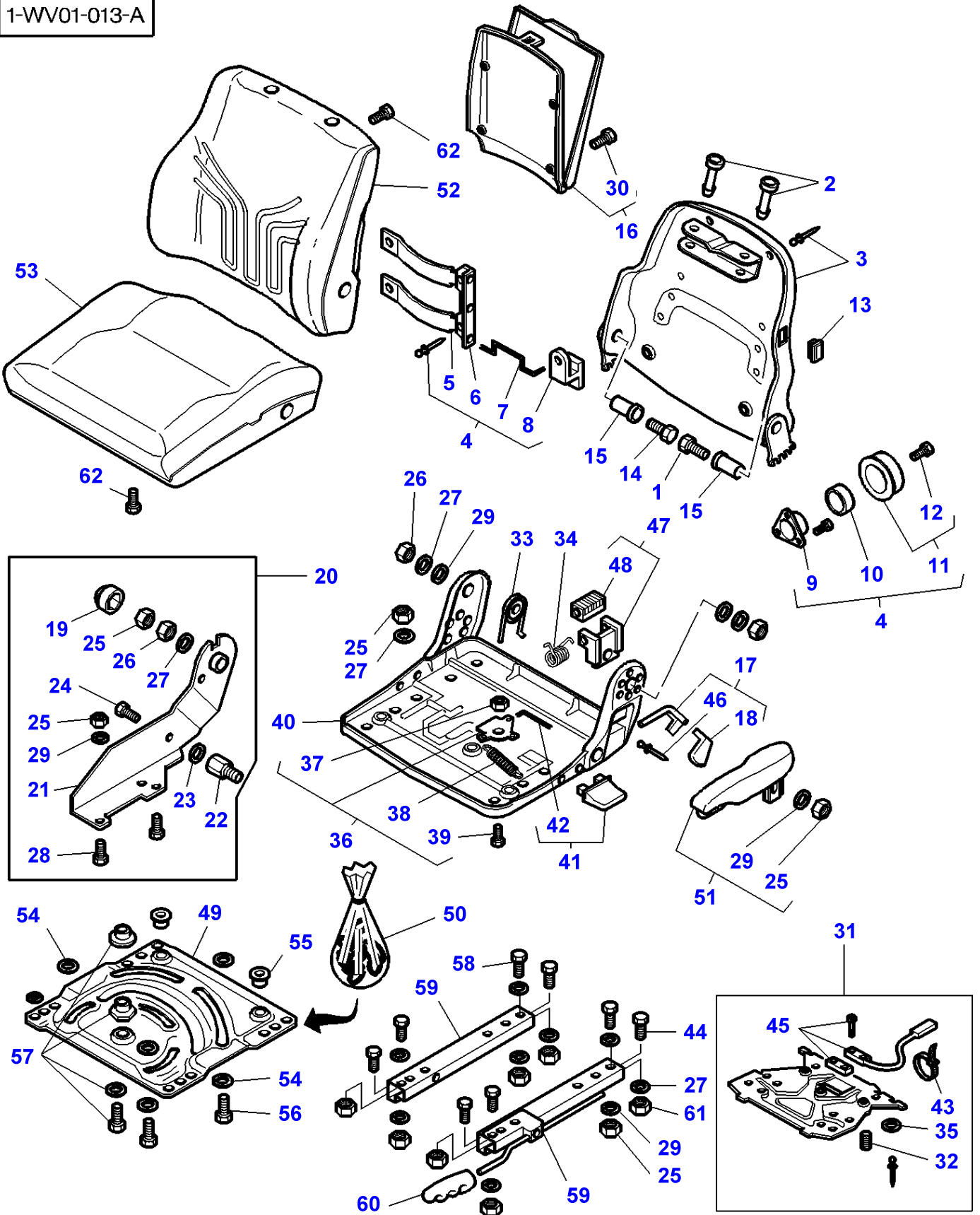
FOOTNOTE [A] AIR PRESSURE SEAT WITH AUTOMATIC ADJUSTMENT - LUXUY

FOOTNOTE [B] AIR PRESSURE SEAT WITH AUTOMATIC ADJUSTMENT

FOOTNOTE [C] AIR PRESSURE SEAT WITH MANUAL ADJUSTMENT

MF 8470/8480 TRACTOR (TIER 3) - 3906071
1-WV01-013-A

1-WV01-013-A

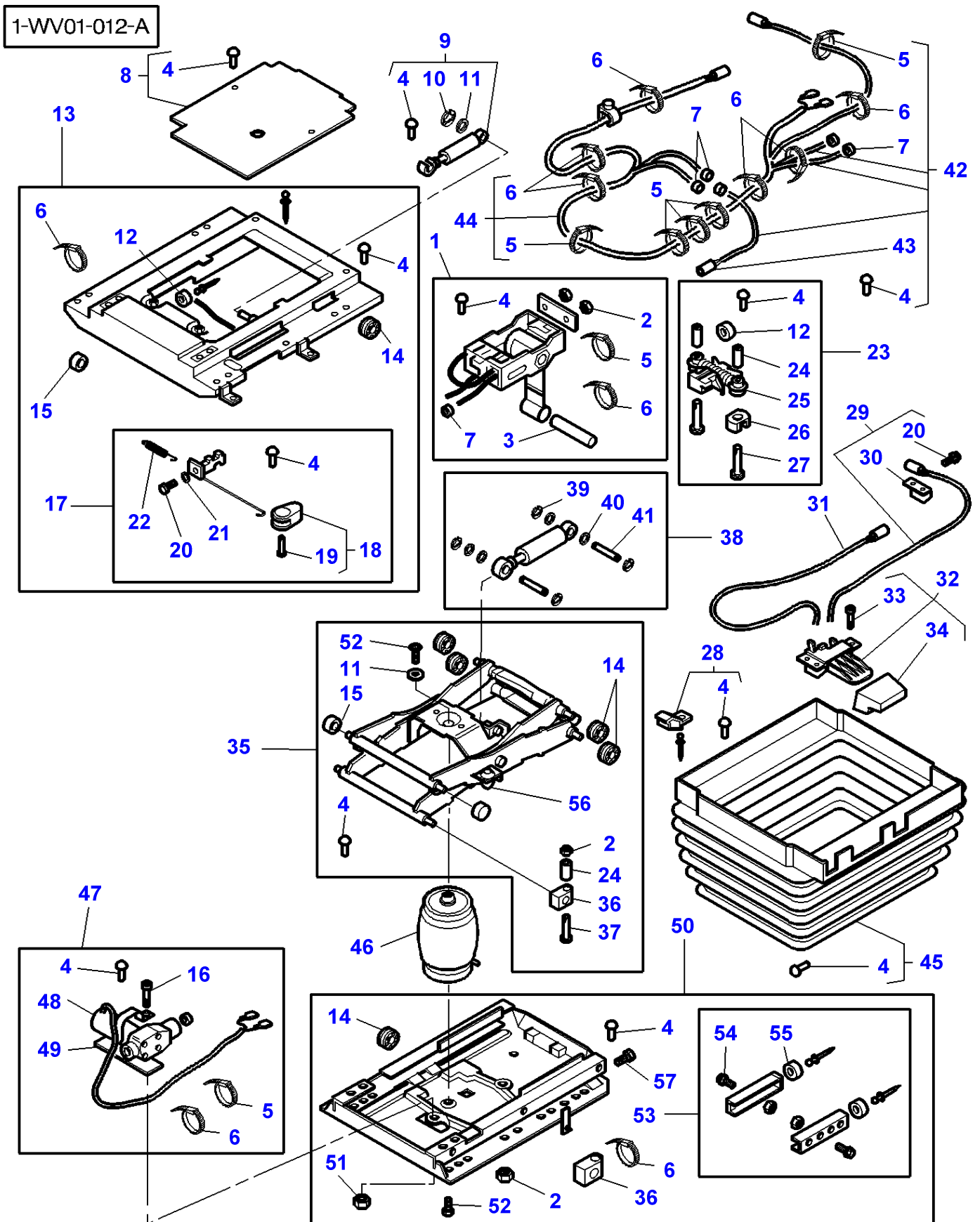


Seat Item	Part Number	Qty	Description	Comments
	4272520M93	1	Seat	
	4272517M93	1	Seat	
1	339010X1	1	Bolt	M8X40
2	F716.501.030.510	2	Guide Sleeve	
3	F248.500.033.130	1	Back Part	
4	F716.501.030.400	1	Lumbar Support	
5	F716.501.030.480	2	Plate	
6	F716.501.030.470	1	Angle.	
7	F716.501.030.460	1	Linkage	
8	F716.501.030.450	1	Driving	
9	3903632M1	1	Holder	
10	3903631M1	1	Cam	
11	F716.501.030.410	1	Handle	
12	392831X1	1	Screw	M6 X 10
13	F248.500.033.030	1	Covering	
14	339168X1	1	Bolt	M8 X 50
15	3903634M1	2	Tube	
16	G515.500.030.100	1	Pocket	
17	F716.501.030.290	1	Lever	3904264M1
18	F716.501.030.300	1	Handle	3904265M1
19	3903607M1	1	Clevis	
20	3907123M92	1	Support	
21		1	Support	REF. 20
22	3907121M1	1	Bolt	
23	3903605M1	1	Insert	
24	353557X1	1	Bolt Unf	7/16-20 X 20
25	339169X1	X	Nut	M8
26	3000193X1	2	Nut	M8
27	391565X1	X	Washer Metric	M8
28	3009439X1	2	Screw	M8 X 16
29	391039X1	X	Flat Washer	M8
30	3903093M1	5	Screw	M4X8
31	3907126M91	1	Timing Device	
32	3907124M1	1	Spring	
33	F248.500.033.060	1	Spring	
34	F718.500.030.030	1	Spring	
35	3102401M1	2	Buffer	
36	F716.501.030.090	1	Lever	
37	F716.501.030.100	1	Ring	
38	F198.500.030.270	1	Tension Spring	3104902M1
39	339228X1	1	Hex. Sock. Screw	M8 X 12
40	3907122M1	1	Frame	
41	F716.501.030.120	1	Handle	
42	F716.501.030.110	1	Linkage	
43	3903106M1	1	Cable Tie	
44	3009285X1	5	Screw	M8 X 16 1441000X1
45	3907125M91	1	Switch	
46		X	Rivet	[A]
47	F716.501.030.280	1	Support	3904270M1
48	F411.501.030.010	1	Excluder	3904269M1
49	F716.501.030.070	1	Turntable	
50	3904275M1	1	Parts Pack	[B]
51	3904442M91	1	Armrest	
52	3907117M1	1	Cushion	
53	3907118M1	1	Cushion	
54	390735X1	8	Flat Washer	13 X 2.5-0.12
55	F198.500.030.250	2	Sliding Disc	
56	F716.501.030.080	4	Pin	
57	F916.501.030.230	1	Kit, Repair	
58	339124X1	4	Bolt	M8 X 16
59	F716.501.030.050	1	Kit, Slider	
60	F716.501.030.060	1	Handle	
61	3904089M1	4	Nut	M8
62	F718.500.030.100	7	Screw	M5 X 25

FOOTNOTE [A] NOT SERVICED

FOOTNOTE [B] INCLUDE ITEMS 54-55-56-57

MF 8470/8480 TRACTOR (TIER 3) - 3906071
1-WV01-012-A



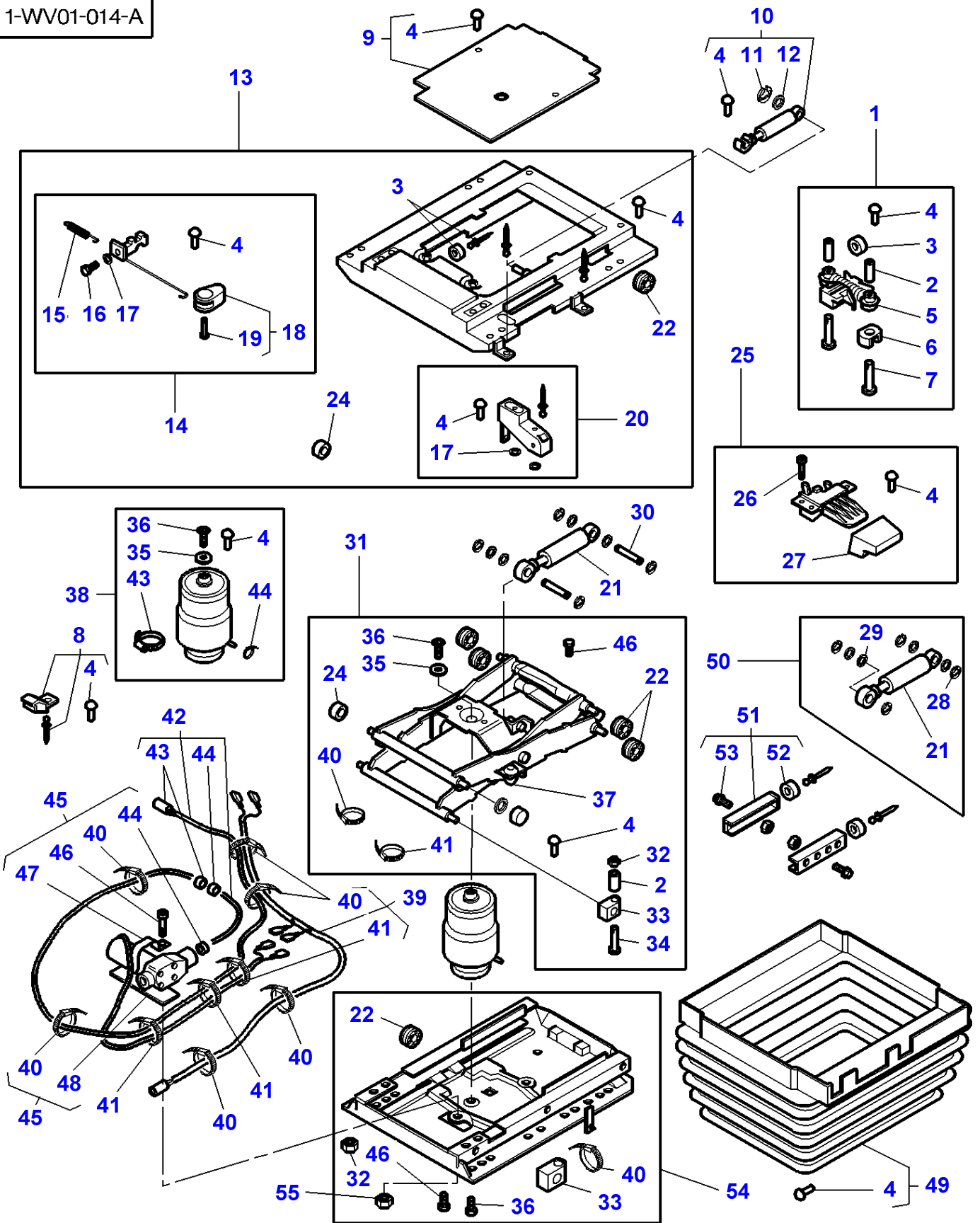
Seat Item	Part Number	Qty	Description	Comments
	4272520M93	1	Seat	
1	F930.500.030.220	1	Control	
2	3000193X1	4	Nut	M8
3	F312.500.031.020	1	Pin	
4	F184.531.030.210	24	Plug	1719896M1
5	3903068M1	4	Tie	4,7x204 MM
6	3903106M1	5	Cable Tie	2,5x102 MM
7	3903052M1	4	Olive	
8	F524.500.033.080	1	Covering	3903037M91
9	3903039M91	1	Shock Absorber	
10	1441206X1	1	Tooth Washer	6 MM
11	391565X1	2	Washer Metric	8.4 MM
12	3903040M1	1	Buffer	
13	3903132M91	1	Suspension	
14	3903050M1	4	Roller	
15	F916.501.030.140	2	Roller	
16	3001414X1	1	Screw Metric	M8x12
17	3903045M91	1	Rod Link	
18	F524.500.033.100	1	Handle	
19	3903065M1	1	Screw	4x14
20	F916.500.031.180	2	Screw	3.5x12
21	339362X1	1	Washer	4,3 MM
22	3903044M1	2	Spring	
23	3903032M91	1	Shock Absorber	(1)
24	3105404M1	4	Tube	(1)
25	F178.500.030.460	2	Bush	3903033M1
26	3903034M1	2	Buffer	
27	339287X1	2	Hex. Sock. Screw	M8x35
28	F312.500.031.050	2	Stop	3903036M1
29	F716.501.030.610	1	Bowden Cable	
30	3903136M1	1	Support	
31	F312.500.031.110	1	Bowden Cable	
32	F312.500.031.130	1	Actuation	3903043M91
33	3904087M1	3	Bolt	M5X16
34	F716.501.030.620	1	Handle	3903042M1
35	F716.501.030.770	1	Arm	3903047M91
36	F312.500.030.160	2	Bearing Plate	3903049M1
37	F312.500.030.170	2	Pin	
38	F312.500.030.100	1	Shock Absorber	3903058M91
39	390287X1	4	Tooth Washer	
40	3101663M1	4	Washer	
41	3903035M1	2	Clevis Pin	
42	3907594M91	1	Hydr. Hose	3903141M91
43	3105395M1	2	Hose Clip	
44	3903140M91	1	Cable	
45	F930.500.030.140	1	Bellows	
46	3903051M91	1	Accumulator	
47	3903057M91	1	Compressor	
48	F916.500.030.010	1	Stirrup	3903053M1
49	3903054M1	1	Plate	
50	3903059M91	1	Fit Plate Seat	
51	3000193X1	1	Nut	M8
52	F312.500.030.110	2	Screw	M8x20
53	F930.500.030.130	1	Stop	3903062M1
54	3101996M1	2	Screw Special	M8x16
55	3102401M1	2	Buffer	
56	F158.500.030.010	2	Buffer	1719867M1
57	3000926X1	1	Screw	M5x10
58	3903135M91	1	Kit, Repair	[A,B]

FOOTNOTE [A] INCLUDE ITEM 2/4/5/6/11/12/14/15/24/25/ 26/36/51/52/53/56/58

FOOTNOTE [B] NOT ILLUSTRATED

MF 8470/8480 TRACTOR (TIER 3) - 3906071
1-WV01-014-A

1-WV01-014-A

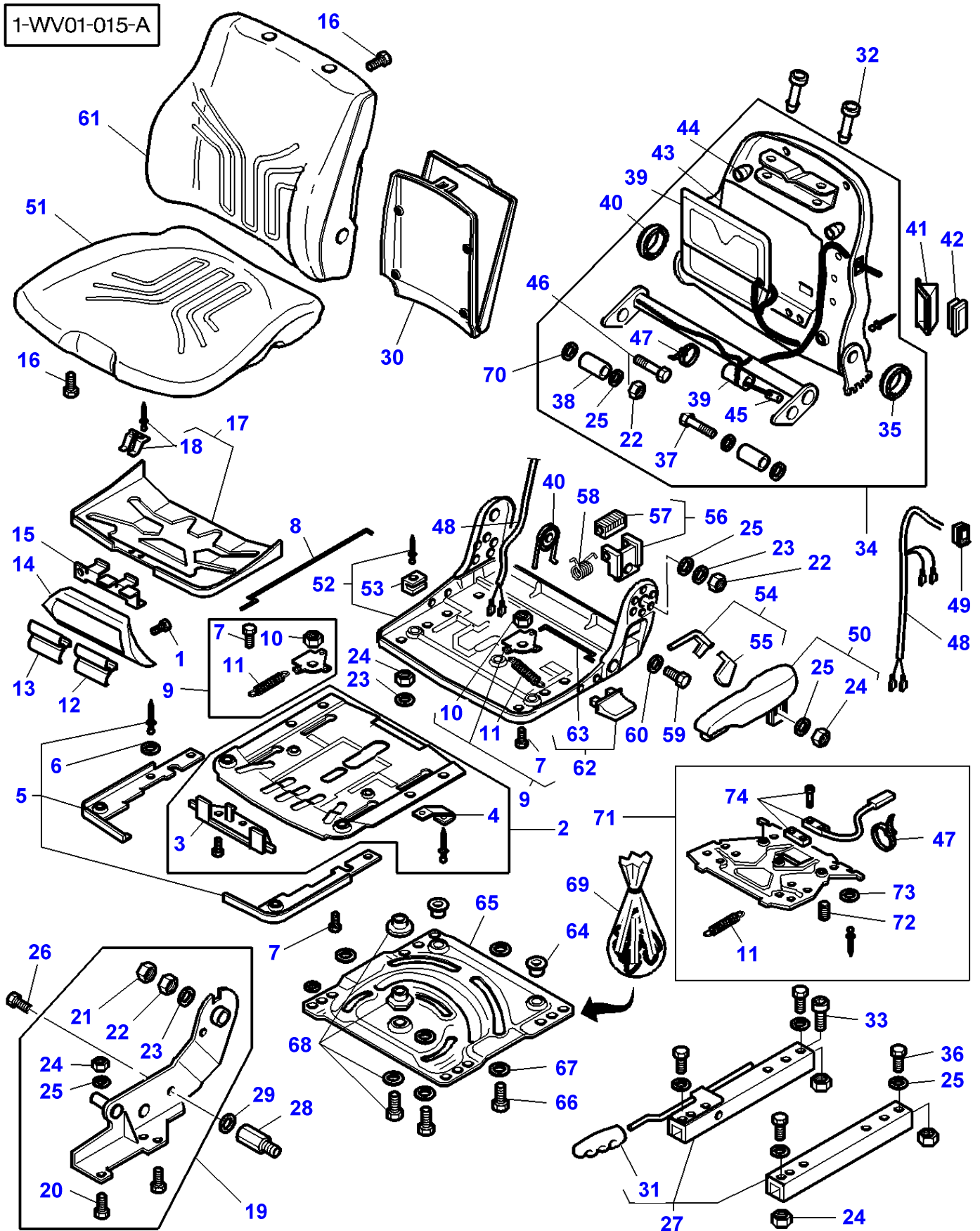


Seat Item	Part Number	Qty	Description	Comments
	4272517M93	1	Seat	
1	3903032M91	1	Shock Absorber	
2	3105404M1	4	Tube	
3	3903040M1	1	Buffer	
4	F184.531.030.210	24	Plug	1719896M1
5	F178.500.030.460	2	Bush	3903033M1
6	3903034M1	1	Buffer	
7	339287X1	2	Hex. Sock. Screw	M8 X 35
8	F312.500.031.050	2	Stop	3903036M1
9	F524.500.033.080	1	Covering	3903037M91
10	3903039M91	1	Shock Absorber	
11	1441206X1	1	Tooth Washer	
12	391565X1	1	Washer Metric	
13	3903038M91	1	Fit Plate Seat	
14	3903045M91	1	Rod Link	
15	3903044M1	2	Spring	
16	F916.500.031.180	1	Screw	3,5 X 12
17	339362X1	3	Washer	
18	F524.500.033.100	1	Handle	
19	3903065M1	1	Screw	4 X 14
20	F312.500.030.090	1	Gauge	3903041M91
21		1	Ram	REF. 50
22	3903050M1	4	Roller	
23	3903135M91	1	Kit, Repair	[A,B]
24	F916.501.030.140	2	Roller	
25	F312.500.030.130	1	Actuation	
26	3904087M1	3	Bolt	M5 X 16
27	F716.501.030.620	1	Handle	3903042M1
28	390287X1	4	Tooth Washer	
29	3101663M1	3	Washer	
30	3903035M1	2	Clevis Pin	
31	F716.501.030.770	1	Arm	3903047M91
32	3000193X1	3	Nut	M8
33	F312.500.030.160	2	Bearing Plate	3903049M1
34	F312.500.030.170	2	Pin	
35	391565X1	1	Washer Metric	
36	F312.500.030.110	2	Screw	8 X 20
37	F158.500.030.010	2	Buffer	1719867M1
38	3903051M91	1	Accumulator	
39	3903056M91	1	Cable	
40	3903106M1	7	Cable Tie	
41	3903068M1	4	Tie	
42	3904445M91	1	Kit, Repair	
43	3903052M1	2	Olive	
44	3105395M1	2	Hose Clip	
45	3903057M91	1	Compressor	
46	3001414X1	1	Screw Metric	M8 X 12
47	F916.500.030.010	1	Stirrup	3903053M1
48	3903054M1	1	Plate	
49	3903060M91	1	Bellows	
50	F312.500.030.100	1	Shock Absorber	3903058M91
51	F930.500.030.130	1	Stop	3903062M1
52	3102401M1	2	Buffer	
53	3101996M1	2	Screw Special	M8 X 16
54	F312.500.030.300	1	Bottom Part	3903059M91
55	3000193X1	1	Nut	M8

FOOTNOTE [A] INCLUDE ITEM 2/3/4/6/22/24/33/35/36/37/40/41 /44/46/51

FOOTNOTE [B] NOT ILLUSTRATED

MF 8470/8480 TRACTOR (TIER 3) - 3906071
1-WV01-015-A



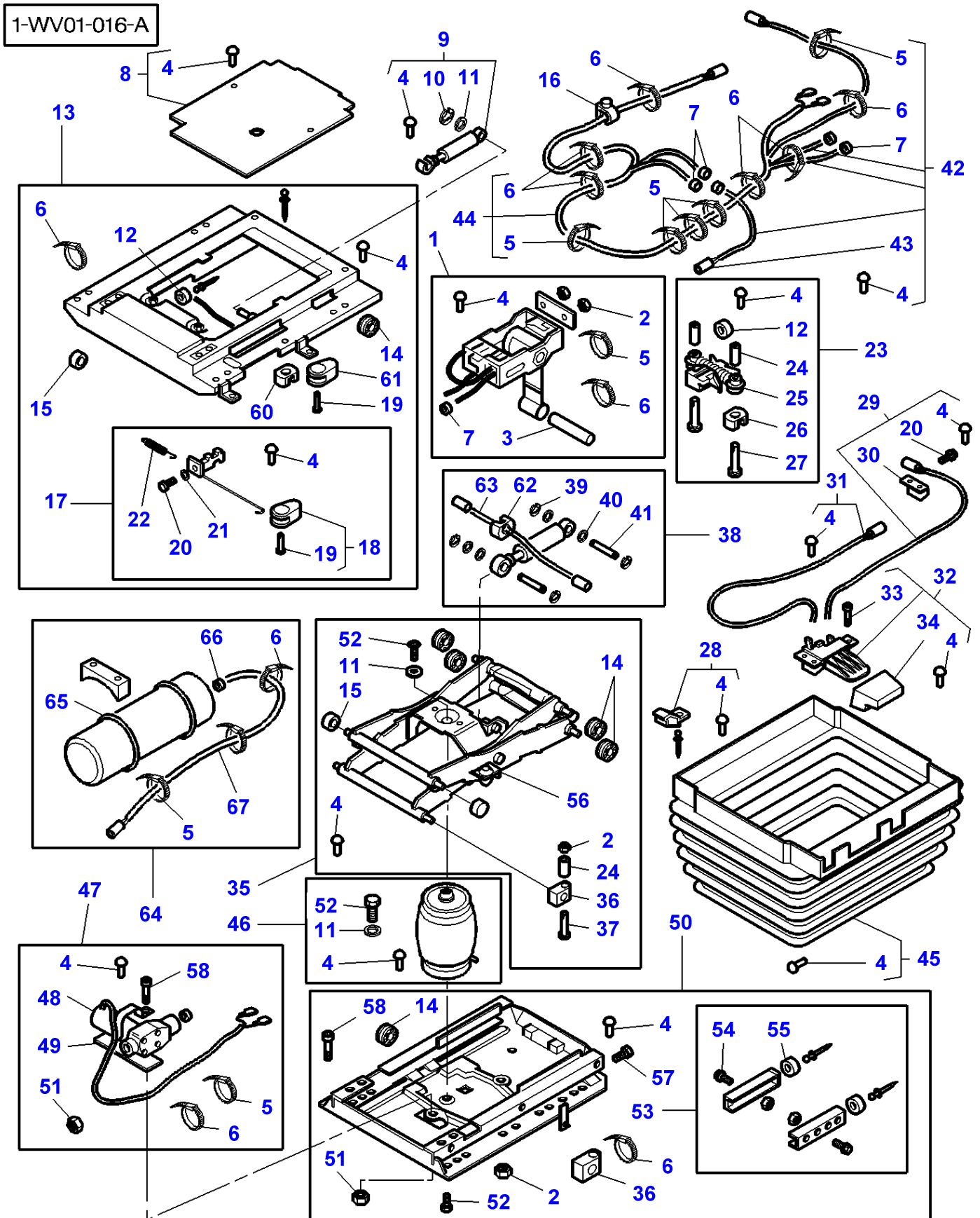
Item	Part Number	Qty	Description	Comments
	4272521M93	1	Seat	
1	3904087M1	2	Bolt	5x16
2	F716.501.030.130	1	Plate	
3	F716.501.030.180	1	Notched Plate	
4	F716.501.030.140	1	Sheet Metal	
5	F716.501.030.170	1	Covering	
6	339362X1	2	Washer	
7	339228X1	2	Hex. Sock. Screw	M8x12
8	F716.501.030.150	1	Linkage	
9	F716.501.030.090	2	Lever	
10	F716.501.030.100	2	Ring	
11	F198.500.030.270	2	Tension Spring	3104902M1
12	F716.501.030.360	1	Handle	
13	F716.501.030.350	1	Handle	
14	F716.501.030.340	1	Covering	
15	F716.501.030.330	1	Lever	
16	F718.500.030.100	8	Screw	M5x25
17	F716.501.030.310	1	Pivot Plate	
18	F716.501.030.320	1	Sheet Metal	
19	3907123M92	1	Support	
20	3009439X1	4	Screw	M8x16
21	3903607M1	1	Clevis	
22	3000193X1	2	Nut	M8
23	391565X1	9	Washer Metric	
24	339169X1	10	Nut	M8
25	391039X1	9	Flat Washer	
26	353557X1	1	Bolt Unf	7/16-20x20
27	F716.501.030.050	1	Kit, Slider	
28	3907121M1	1	Bolt	
29	3903605M1	1	Insert	
30	G515.500.030.100	1	Pocket	
31	F716.501.030.060	1	Handle	
32	F716.501.030.510	2	Guide Sleeve	
33	3009285X1	4	Screw	M8x16 1441000X1
34	F916.501.030.050	1	Back Part	
35	3907136M1	1	Washer	
36	339124X1	4	Bolt	M8x16
37	339168X1	2	Bolt	M8x50
38	F716.501.030.380	2	Tubing	
39	F916.501.030.100	1	Lumbar Support	
40	F716.501.030.740	1	Spring	
41	F916.501.030.070	1	Covering	
42	3903843M1	1	Switch	
43	F916.501.030.080	1	Plate	
44	F158.500.030.010	2	Buffer	1719867M1
45	3903970M1	3	Spring	
46	3903806M1	1	Screw	M8x60
47	3903106M1	9	Cable Tie	
48	F312.500.031.280	1	Harness	
49	F916.501.030.110	1	Switch	[A]
50	3904442M91	1	Armrest	
51	3907135M1	1	Cushion	
52	F916.501.030.040	1	Seat Plate	
53	F716.501.030.200	1	Slide	
54	F716.501.030.290	1	Lever	3904264M1
55	F716.501.030.300	1	Handle	3904265M1
56	F716.501.030.280	1	Support	3904270M1
57	F411.501.030.010	1	Excluder	3904269M1
58	F718.500.030.030	1	Spring	
59	353562X1	1	Bolt Unf	7/16-20X35
60	353428X1	1	Nut Unf	7/16-20
61	3907134M1	1	Cushion	
62	F716.501.030.120	1	Handle	
63	F716.501.030.110	1	Linkage	(62)
64	F198.500.030.250	2	Sliding Disc	
65	F716.501.030.070	1	Turntable	
66	F716.501.030.080	4	Pin	
67	390735X1	8	Flat Washer	
68	F916.501.030.230	1	Kit, Repair	
69	3904275M1	1	Parts Pack	[B]

Massey Ferguson**MF 8470/8480 TRACTOR (TIER 3) - 3906071****3906071****Seat - AIR PRESSURE SEAT WITH AUTOMATIC ADJUSTMENT - LUXUY****Page 110-0260**

Item	Part Number	Qty	Description	Comments
70	1444351X1	2	Washer	
71	3907126M91	1	Timing Device	
72	3907124M1	3	Spring	
73	3105034M1	2	Shock Absorber	
74	3907125M91	1	Switch	

FOOTNOTE [A] HEATER**FOOTNOTE [B]** INCLUDE ITEMS 64-66-67-68

MF 8470/8480 TRACTOR (TIER 3) - 3906071
1-WV01-016-A



Massey Ferguson**MF 8470/8480 TRACTOR (TIER 3) - 3906071**

3906071

Seat - AIR PRESSURE SEAT WITH AUTOMATIC ADJUSTMENT - LUXUY

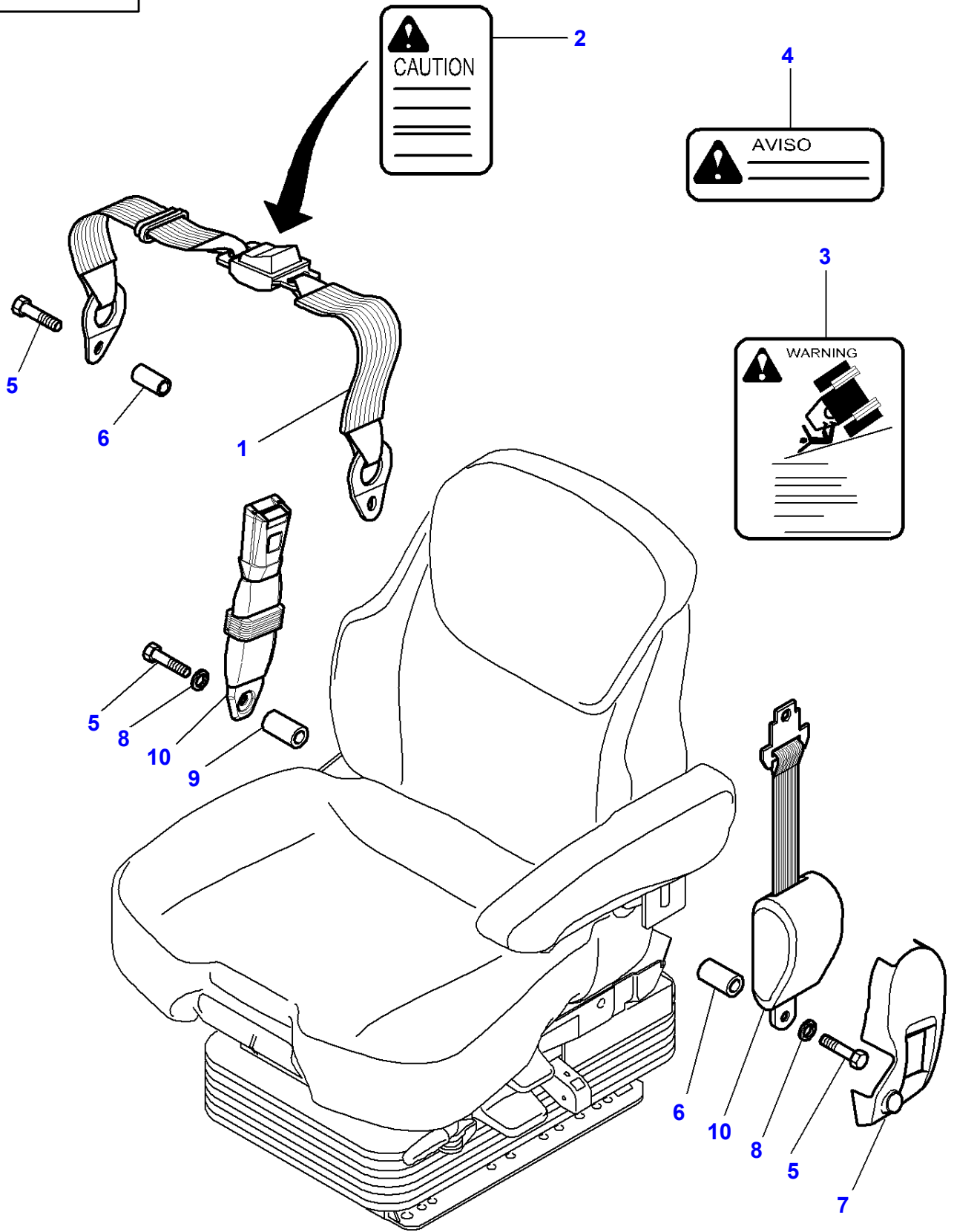
Page 110-0265

Item	Part Number	Qty	Description	Comments
	4272521M93	1	Seat	
1	F930.500.030.220	1	Control	
2	3000193X1	5	Nut	M8
3	F312.500.031.020	1	Pin	
4	F184.531.030.210	24	Plug	1719896M1
5	3903068M1	4	Tie	4,7x204 MM
6	3903106M1	5	Cable Tie	2,5x102 MM
7	3903052M1	4	Olive	
8	F524.500.033.080	1	Covering	3903037M91
9	3903039M91	1	Shock Absorber	
10	1441206X1	1	Tooth Washer	6 MM
11	391565X1	2	Washer Metric	8.4 MM
12	3903040M1	1	Buffer	
13	3903814M91	1	Fit Plate Seat	
14	F916.501.030.150	4	Roller	
15	F916.501.030.140	2	Roller	
16	3903823M1	1	Cable Clamp	
17	3903045M91	1	Rod Link	
18	F524.500.033.100	1	Handle	
19	3903065M1	1	Screw	4x14
20	F916.500.031.180	2	Screw	3.5x12MM
21	339362X1	1	Washer	4,3 MM
22	3903044M1	2	Spring	
23	3903032M91	1	Shock Absorber	(1)
24	3105404M1	4	Tube	(1)
25	F178.500.030.460	2	Bush	3903033M1
26	3903034M1	2	Buffer	
27	339287X1	2	Hex. Sock. Screw	M8x35
28	F312.500.031.050	2	Stop	3903036M1
29	F716.501.030.610	1	Bowden Cable	
30	3903136M1	1	Support	
31	F312.500.031.110	1	Bowden Cable	
32	F312.500.031.130	1	Actuation	3903043M91
33	3904087M1	3	Bolt	M5X16
34	F716.501.030.620	1	Handle	3903042M1
35	F716.501.030.770	1	Arm	3903047M91
36	F312.500.030.160	2	Bearing Plate	3903049M1
37	F312.500.030.170	2	Pin	
38	3903822M91	1	Shock Absorber	
39	390287X1	4	Tooth Washer	
40	3101663M1	4	Washer	
41	3903035M1	2	Clevis Pin	
42	3907594M91	1	Hydr. Hose	3903141M91
43	3105395M1	2	Hose Clip	
44	3903817M91	1	Cable	
45	F312.500.031.190	1	Bellows	
46	3903051M91	1	Accumulator	
47	3903057M91	1	Compressor	
48	F916.500.030.010	1	Stirrup	3903053M1
49	3903054M1	1	Plate	
50	F312.500.030.300	1	Bottom Part	3903059M91
51	3000193X1	1	Nut	M8
52	F312.500.030.110	2	Screw	M8x20
53	F930.500.030.130	1	Stop	3903062M1
54	3101996M1	2	Screw Special	M8x16
55	3102401M1	2	Buffer	
56	F158.500.030.010	2	Buffer	1719867M1
57	3000926X1	1	Screw	M5x10
58	3903480M1	1	Screw	M8x12
59	3903135M91	1	Kit, Repair	[A,B]
60	F716.501.030.690	1	Guide	
61	F716.501.030.680	1	Handle	
62	F716.501.030.700	1	Support	
63	F716.501.030.710	1	Bowden Cable	
64	3903827M91	1	Accumulator	
65	F205.500.035.210	2	Cable Tie	7.6x387
66	3903824M1	2	Clamp	
67	F930.500.030.180	1	Hose	

FOOTNOTE [A] INCLUDE ITEM 2/4/5/6/11/12/14/15/24/25/ 26/36/51/52/53/56/58

FOOTNOTE [B] NOT ILLUSTRATED

1-WZ02-001-B



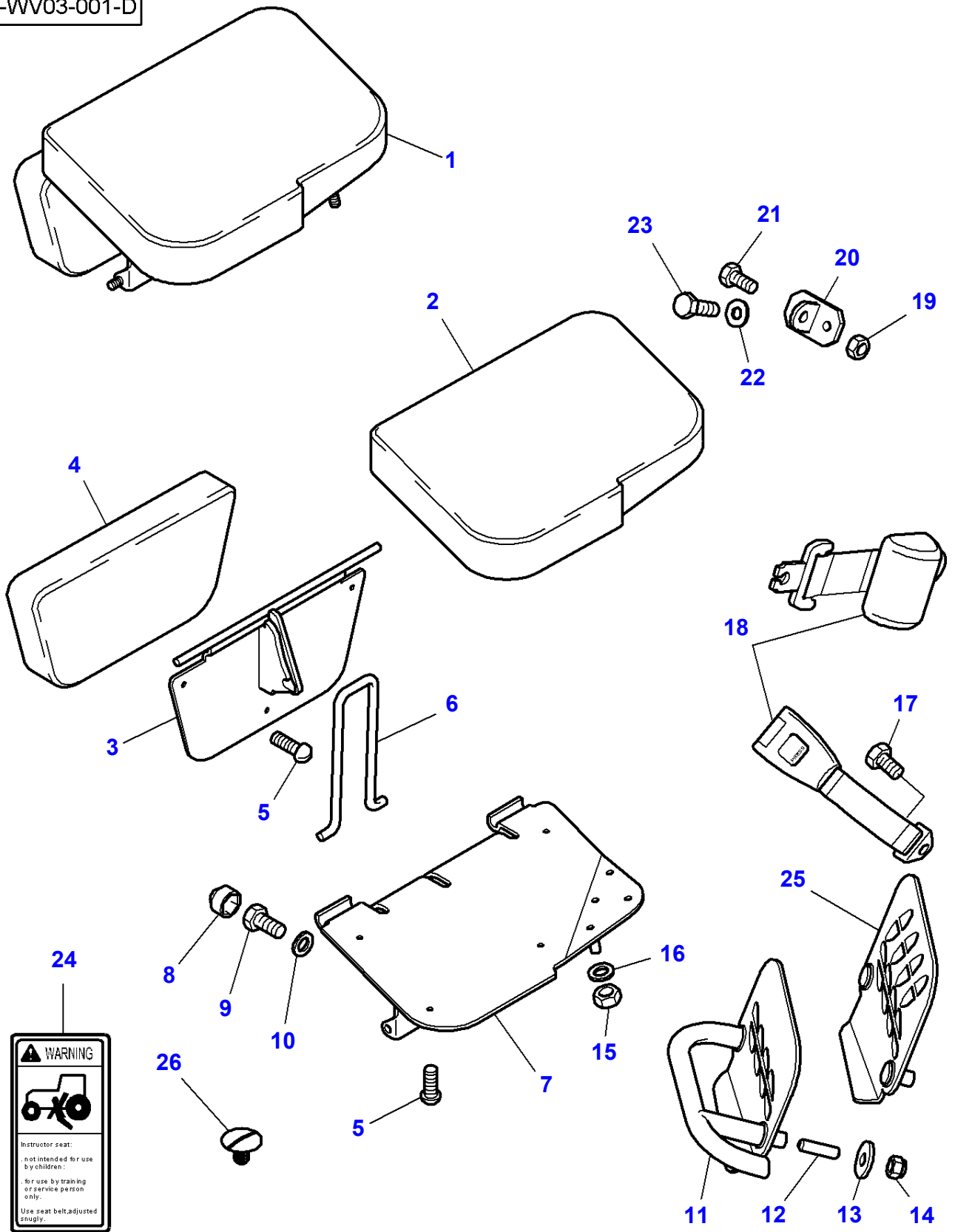
Seat Belt

Item	Part Number	Qty	Description	Comments
1	3785693M91	1	Safety Belt	R011025
2	523784M3	1	Decal	
	3597443M1	1	Decal	
3	3760678M1	1	Decal	
4	4276928M1	1	Decal	[C]
5	361530X1	2	Bolt Unf	
6	3011445X1	2	Spacer	R011025
	3011445X1	1	Spacer	R011026
7	4272529M1	1	Cover	
	4272528M1	1	Cover	[B]
8	353772X1	2	Washer	R011026
9	4285549M1	1	Spacer	R011026
10	4285547M1	1	Safety Belt	R011026

FOOTNOTE [B] WITHOUT SEAT BELT

FOOTNOTE [C] ITALIAN TEXT

1-WV03-001-D

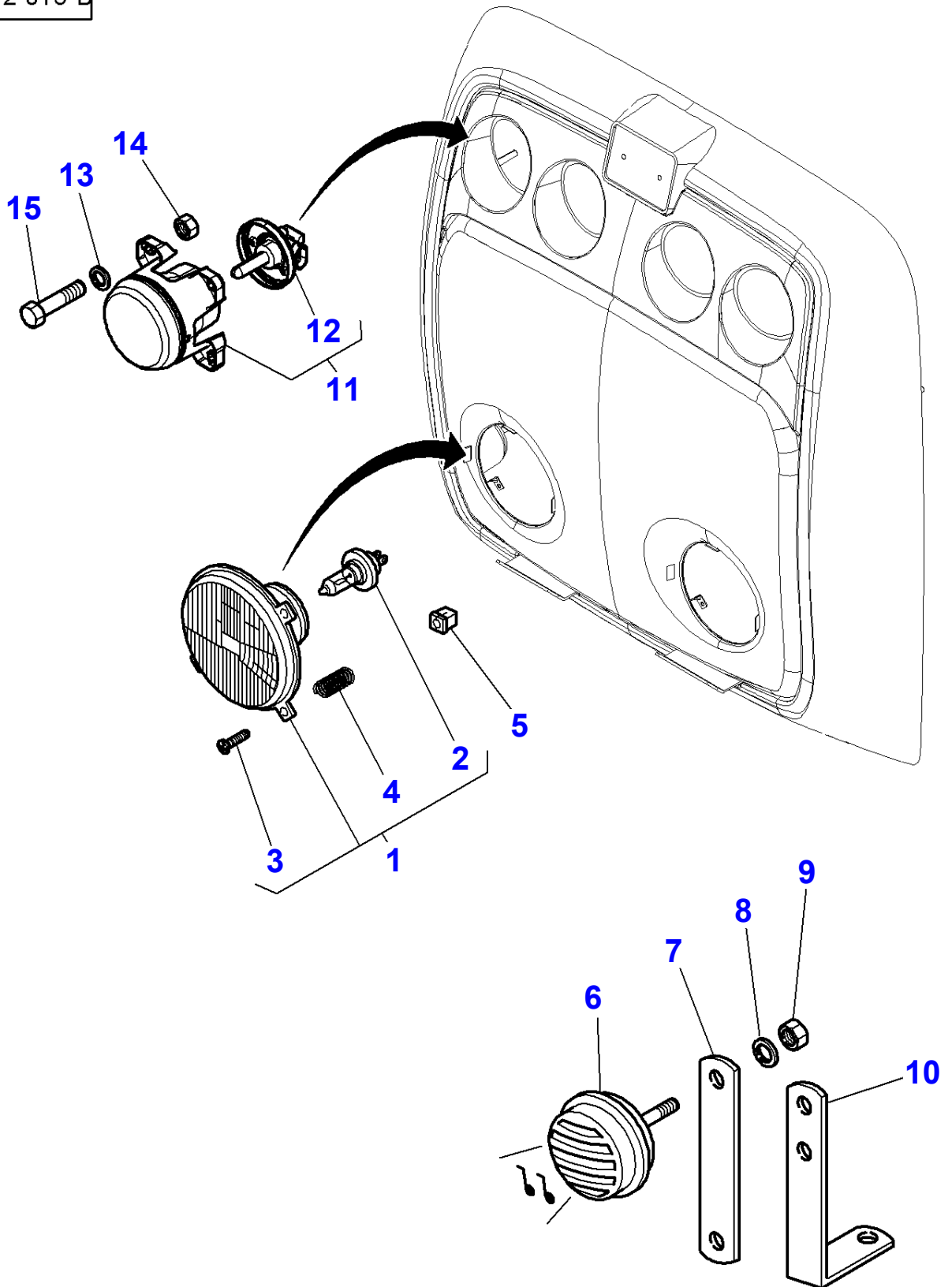


Secondary Seat

Item	Part Number	Qty	Description	Comments
1	4270578M91	1	Seat	
2	4271009M91	1	Cushion	(1)
3	4270581M1	1	Support	(1)
4	4271012M91	1	Cushion	(1)
5	3713140M1	9	Self Tap Screws	(1)
6	4270583M1	1	Stand	(1)
7	4270579M1	1	Support	(1)
8	3616277M1	1	Helmet	
9	339123X1	1	Bolt	M8 X 20
10	390972X1	1	Flat Washer	8-17 X 1,7
11	4271528M1	1	Foot Rest	
12	1440022X1	2	Stud	M8 X 20
13	3010467X1	2	Washer	8-30 X 2
14	394367X1	2	Locknut	M8
15	394367X1	2	Locknut	M8
16	390972X1	2	Flat Washer	8-17 X 1,7
17	353558X1	2	Bolt Unf	7/16"-20 X 16
18	3789236M1	1	Safety Belt	
19	338600X1	1	Nut Unf	7/16"-20
20	3715118M1	1	Support	
21	353558X1	1	Bolt Unf	7/16"-20 X 16
22	390972X1	2	Flat Washer	8-17 X 1,7
23	339123X1	2	Bolt	M8 X 20
	339124X1	2	Bolt	[A] M8 X 16
24	3787683M1	1	Decal	
25	4276204M1	1	Plate	
26	4275041M2	X	Button	10 S018028

FOOTNOTE [A] WITHOUT SEAT BELT

1-WW02-016-B



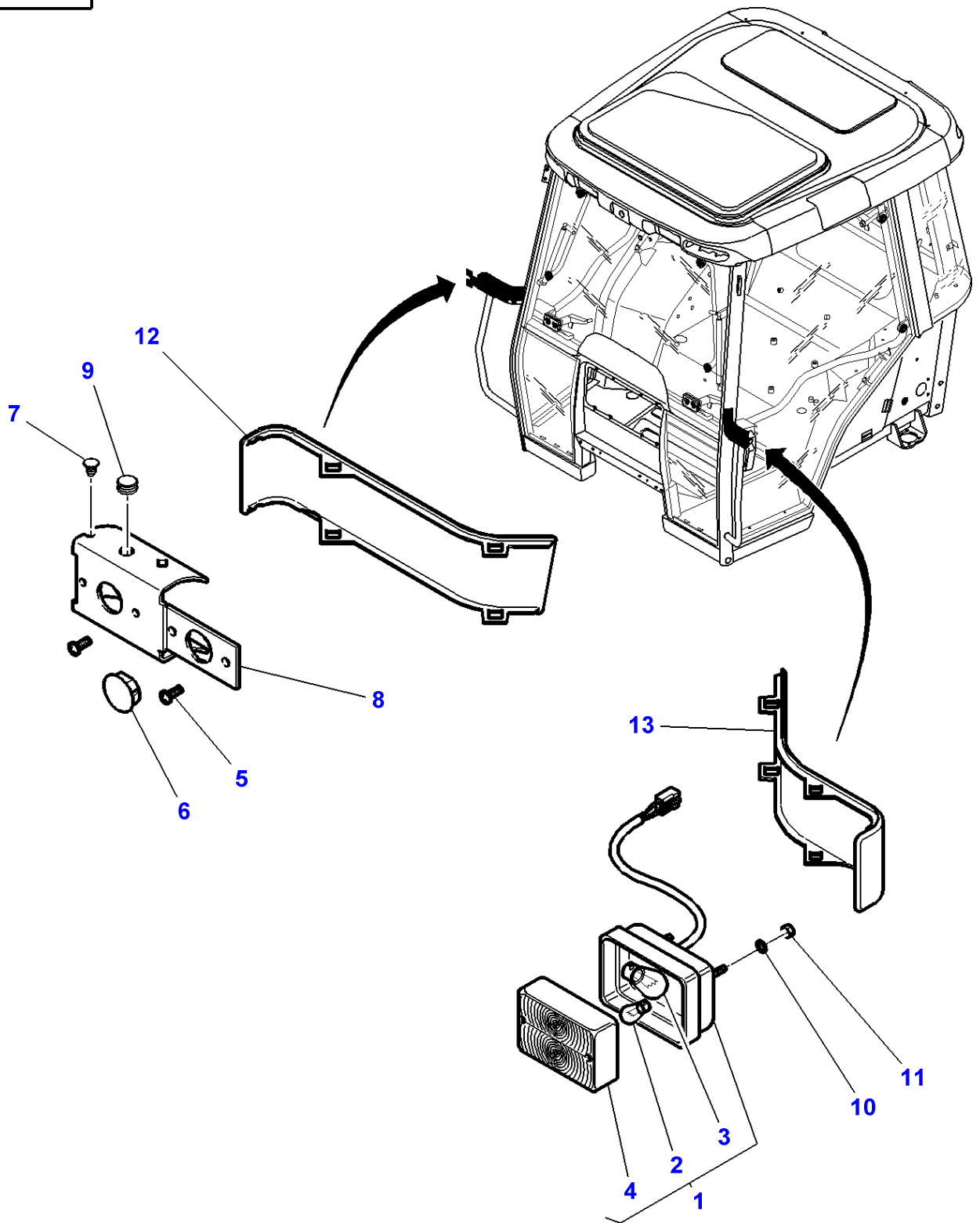
Lighting Equipment - Front

Item	Part Number	Qty	Description	Comments
1	4278938M92	2	Head Light	[B]
	4278939M92	2	Head Light	[A]
2	3713341M1	1	Bulb 12v 60/55w	(1)
3	3907011M1	6	Screw	(1)
4	3907476M1	6	Spring	(1)
5	3809347M1	6	Nut	
6	1678404M1	1	Horn	
7	3778841M2	1	Strap	
8	339374X1	1	Spring Washer	
9	394367X1	1	Locknut	M8
10	656632M4	1	Bracket	
11	4271840M92	4	Head Light	
12	X825.107.044.000	1	Bulb	12v - 65w
13	390971X1	16	Flat Washer	6-12 X 1,5
14	339030X1	16	Nut	M6
15	339666X1	16	Bolt	M6 X 20

FOOTNOTE [A] LEFT HAND DIP LIGHTS

FOOTNOTE [B] RIGHT HAND DIP LIGHTS

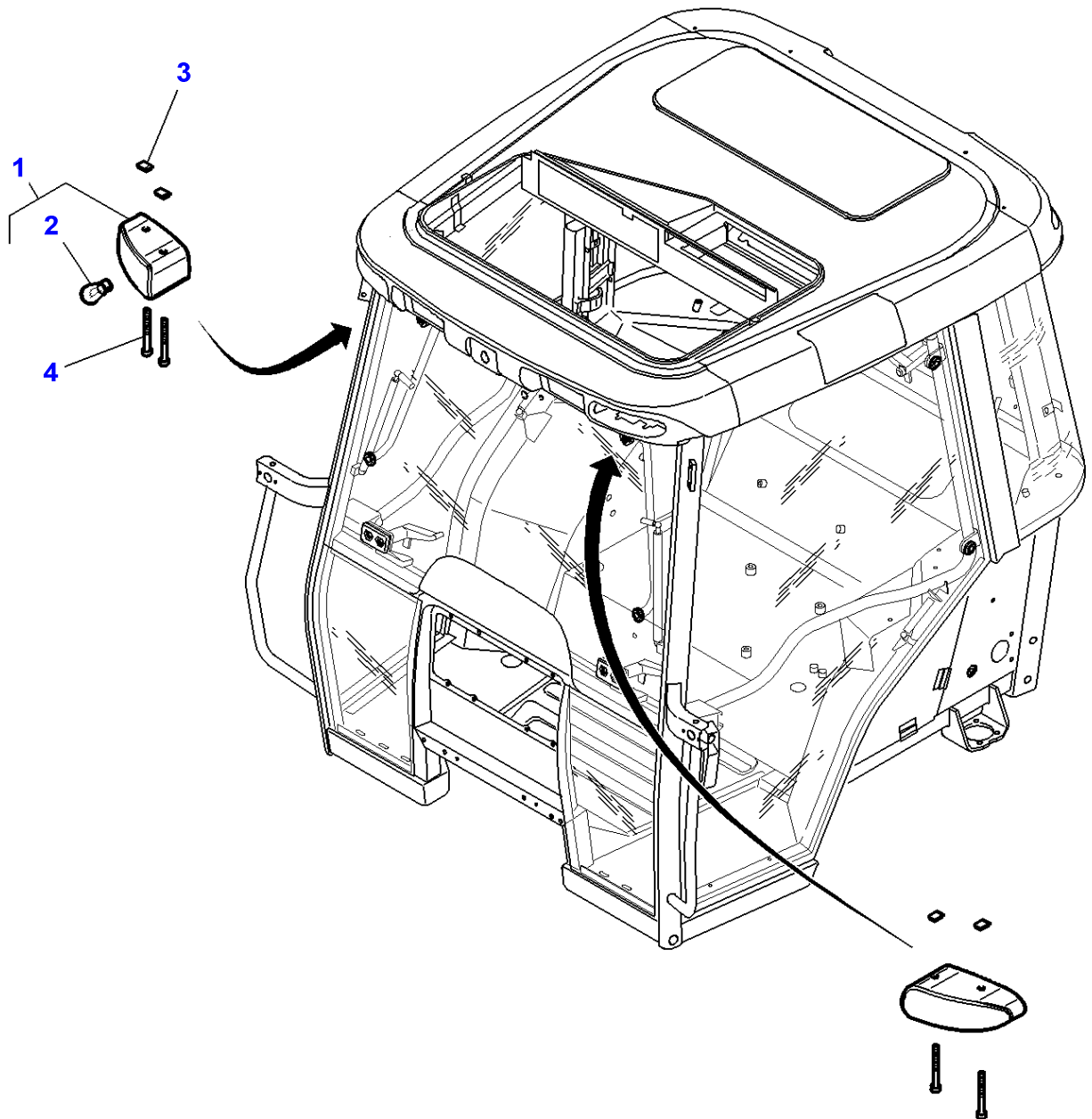
1-WW02-009-A



Massey Ferguson**MF 8470/8480 TRACTOR (TIER 3) - 3906071****3906071****Page 120-0010****Lighting Equipment - Front**

Item	Part Number	Qty	Description	Comments
1	3786791M92	2	Contour Light	
2	1420037M1	1	Bulb 12v 5w	(1)
3	621235M1	1	Bulb 12v 21w	(1)
4	3105505M1	1	Lens	(1)
5	3010578X1	X	Screw	M5 X 10
6	3596314M1	X	Plug	
7	4275043M1	X	Plug	6
8	4273311M1	1	Support	
9	3042523M1	1	Plug	10
10	390469X1	4	Flat Washer	
11	3010477X1	4	Nut Metric	M5
12	4273312M1	1	Muff	
13	4272746M1	1	Muff	

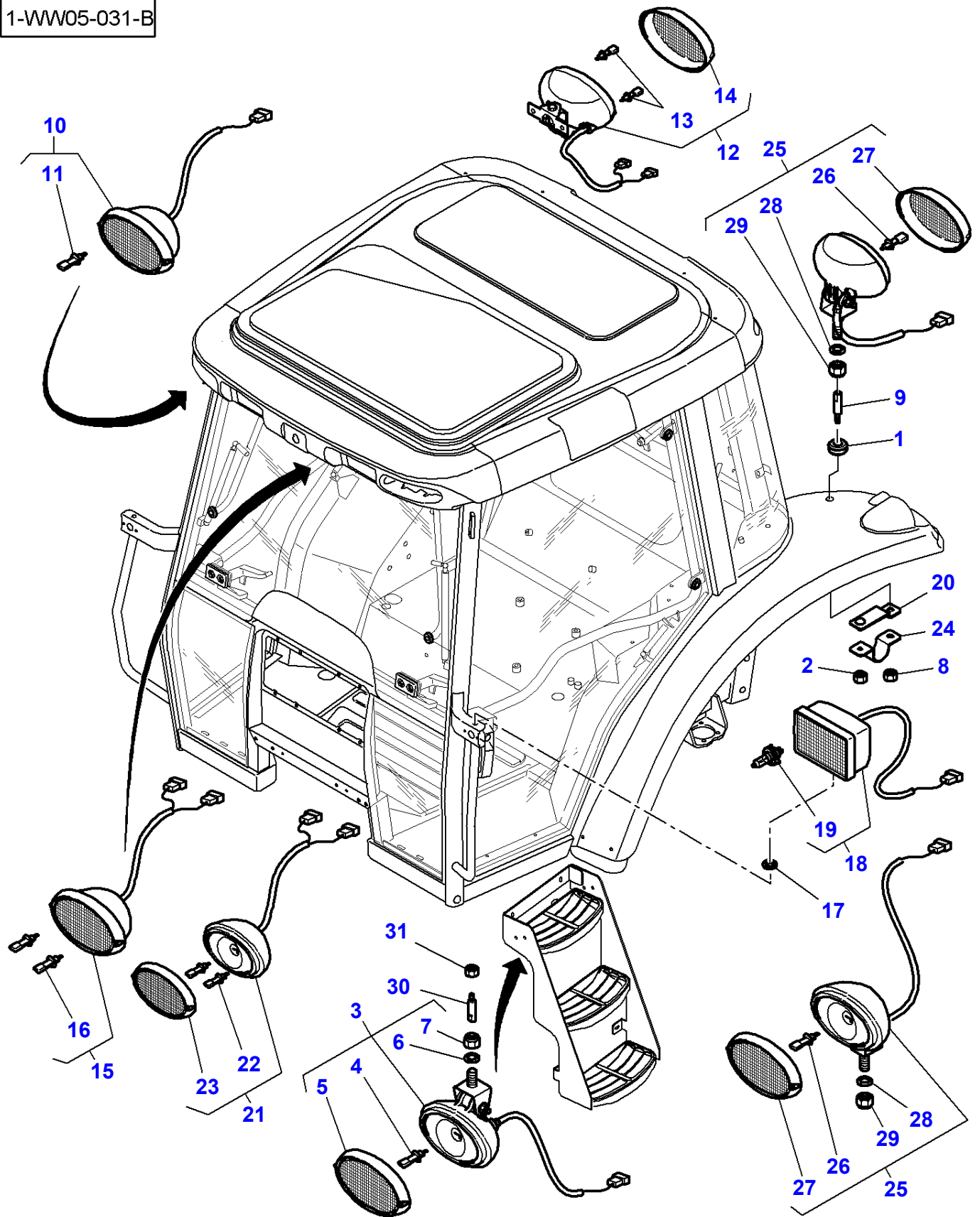
1-WW02-006-A



Massey Ferguson**MF 8470/8480 TRACTOR (TIER 3) - 3906071****3906071****Lighting Equipment - Front****Page 120-0015**

Item	Part Number	Qty	Description	Comments
1	3787345M1	2	Flasher	
2	621235M1	1	Bulb 12v 21w	(1)
3	3010070X1	4	Spring Nut	M6
4	3011362X1	4	Screw	M6 X 90

1-WW05-031-B



Field Lights

Item	Part Number	Qty	Description	Comments
1	70921230	4	Grommet	27-35
2	1440329X1	4	Locknut	M10
3	3788699M93	2	Worklight	
4	1628494M1	1	Bulb H3	(3) 12V-55W
5	3907280M91	1	Lens	(3)
6	1441075X1	1	Cup Spring	(3)
7	1440329X1	1	Locknut	(3) M10
8	339169X1	2	Nut	M8
9	5016887M2	2	Spacer	
10	3786664M91	X	Worklight	[A]
11	1628494M1	1	Bulb H3	(10) 12V-55W
12	3786666M91	2	Worklight	
13	1628494M1	2	Bulb H3	(12) 12V-55W
14	3907064M1	1	Lens	(12)
15	3786665M91	2	Worklight	[B]
16	1628494M1	2	Bulb H3	(15) 12V-55W
17	385362X1	2	Washer	10-20 X 3
18	3786693M92	2	Head Light	[C]
19	3713341M1	1	Bulb 12v 60/55w	(18) H4
20	4273760M1	2	Bridle	
21	4276983M91	2	Worklight	[B]
22	1628494M1	2	Bulb H3	(21) 12V-55W
23	3907064M1	2	Lens	(21)
24	4273761M2	2	Bridle	
25	3786668M93	X	Worklight	[A]
26	1628494M1	1	Bulb H3	(25) 12V-55W
27	3907280M91	1	Lens	(25)
28	1441075X1	1	Cup Spring	(25)
29	1440329X1	1	Locknut	(25) M10
30	5016887M2	1	Spacer	
31	339402X1	1	Nut	M10

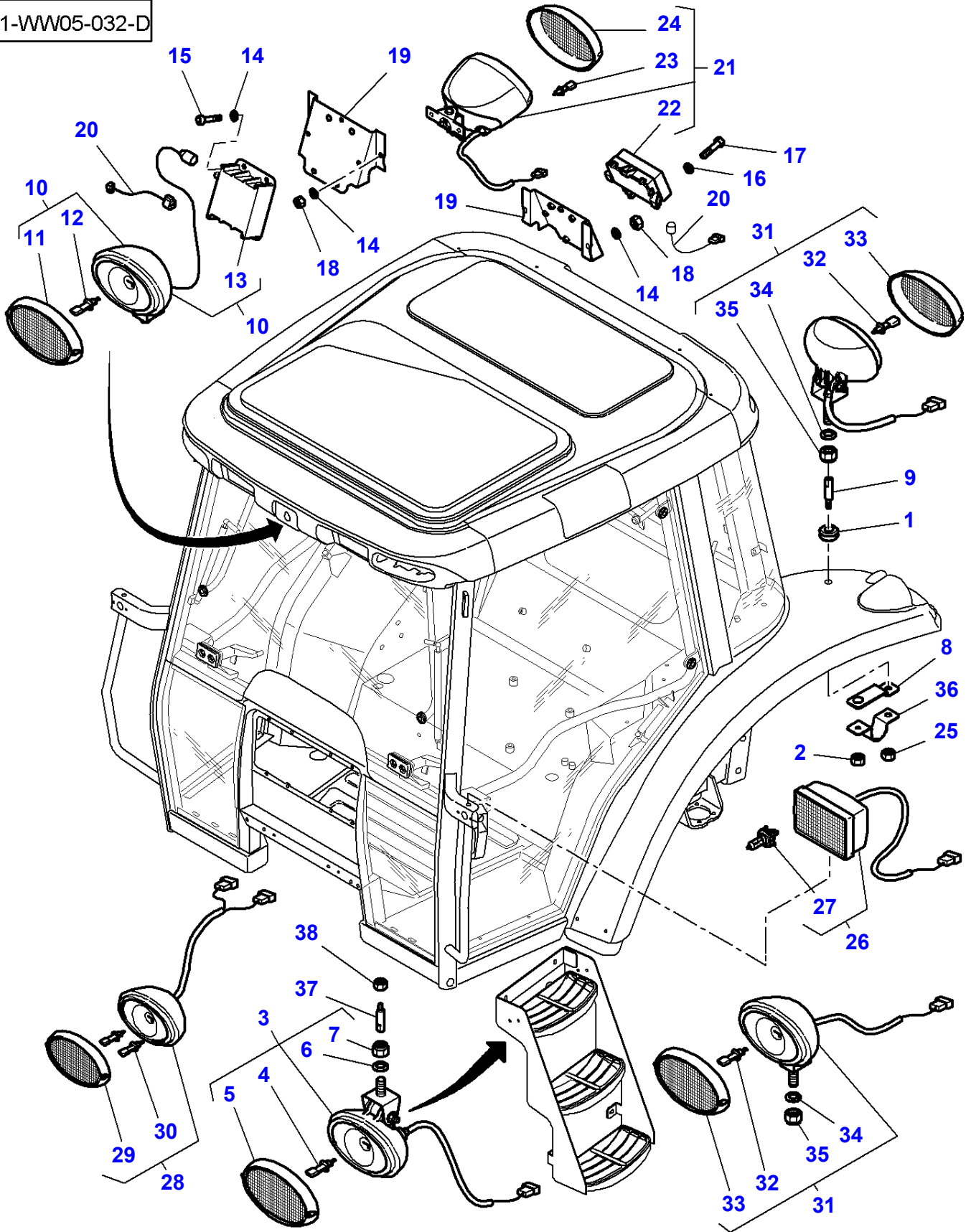
FOOTNOTE [A] WITH 1 BULB WORKLIGHT

FOOTNOTE [B] WITH 2 BULB WORKLIGHT

FOOTNOTE [C] WAY LIGHTS

MF 8470/8480 TRACTOR (TIER 3) - 3906071
1-WW05-032-D

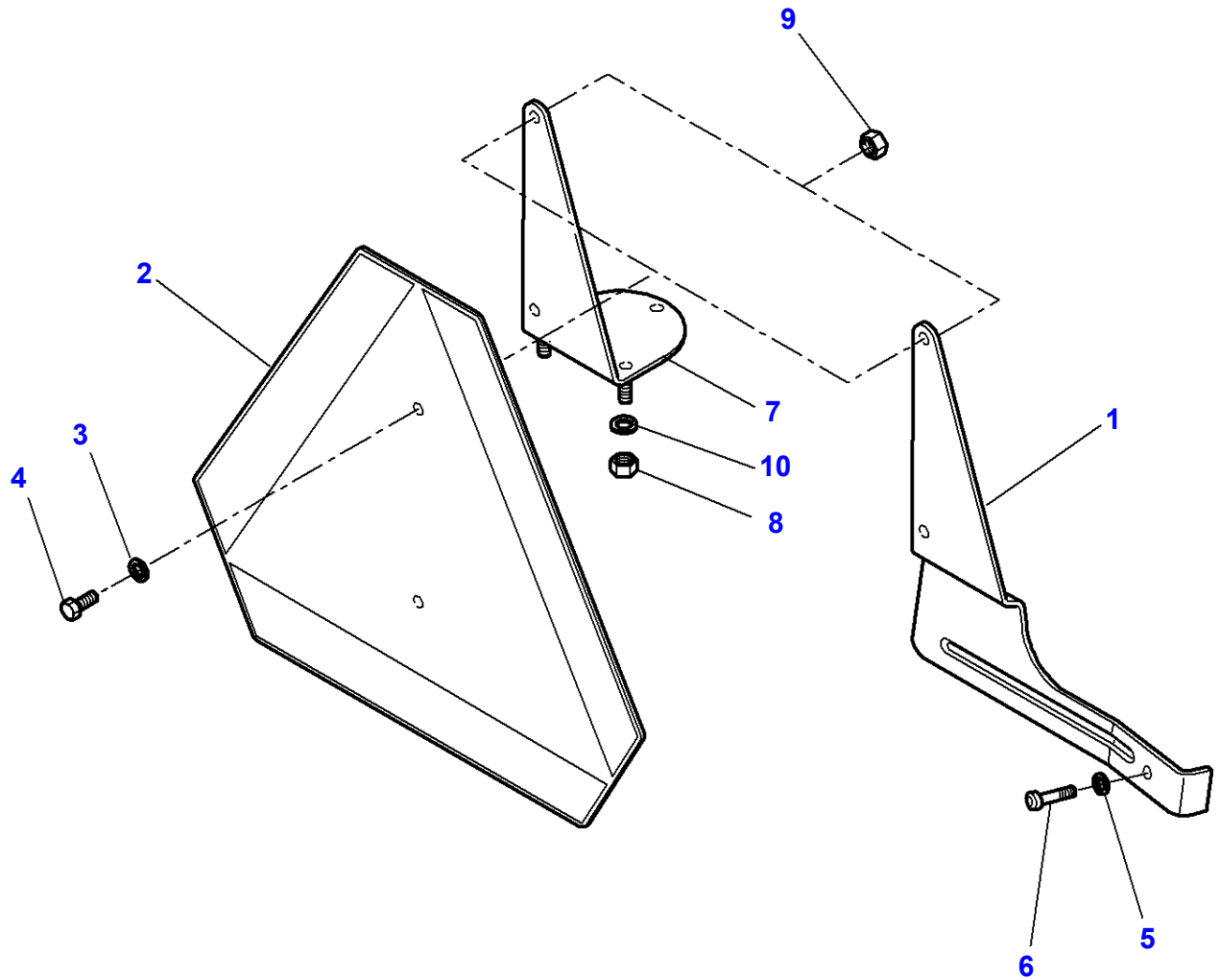
1-WW05-032-D



Massey Ferguson**MF 8470/8480 TRACTOR (TIER 3) - 3906071****3906071****Field Lights - XENON / PIVOTING****Page 120-0025**

Item	Part Number	Qty	Description	Comments
1	70921230	4	Grommet	27-35
2	1440329X1	4	Locknut	M10
3	3788699M93	2	Worklight	
4	1628494M1	1	Bulb H3	(3) 12V-55W
5	3907280M91	1	Lens	(3)
6	1441075X1	1	Cup Spring	(3)
7	1440329X1	1	Locknut	(3) M10
8	4273760M1	2	Bridle	
9	5016887M2	2	Spacer	
10	3788231M91	2	Head Light	
11	3907078M1	1	Lens	(10)
12	3907077M1	1	Bulb	(10)
13	3907075M1	1	Transformer	(10)
14	390971X1	16	Flat Washer	6-12 X 1,5
15	3009281X1	8	Screw	M6 X 16
16	390469X1	6	Flat Washer	
17	3009270X1	6	Screw Metric	M5 X 10
18	339030X1	8	Nut	M6
19	3787136M1	4	Support	
20	4272566M1	4	Harness	400 MM
21	3788232M91	2	Head Light	
22	3907383M1	1	Transformer	(21)
23	3907384M1	1	Bulb	(21)
24	3907385M1	1	Lens	(21)
25	339169X1	2	Nut	M8
26	3786693M92	2	Head Light	
27	3713341M1	1	Bulb 12v 60/55w	(26) H4
28	4276983M91	2	Worklight	
29	3907064M1	1	Lens	(29)
30	1628494M1	2	Bulb H3	(29) 12V-55W
31	3786668M93	X	Worklight	
32	1628494M1	1	Bulb H3	(31) 12V-55W
33	3907280M91	1	Lens	(31)
34	1441075X1	1	Cup Spring	(31)
35	1440329X1	1	Locknut	(31) M10
36	4273761M2	2	Bridle	
37	5016887M2	1	Spacer	
38	339402X1	1	Nut	M10

1-WW27-001-B

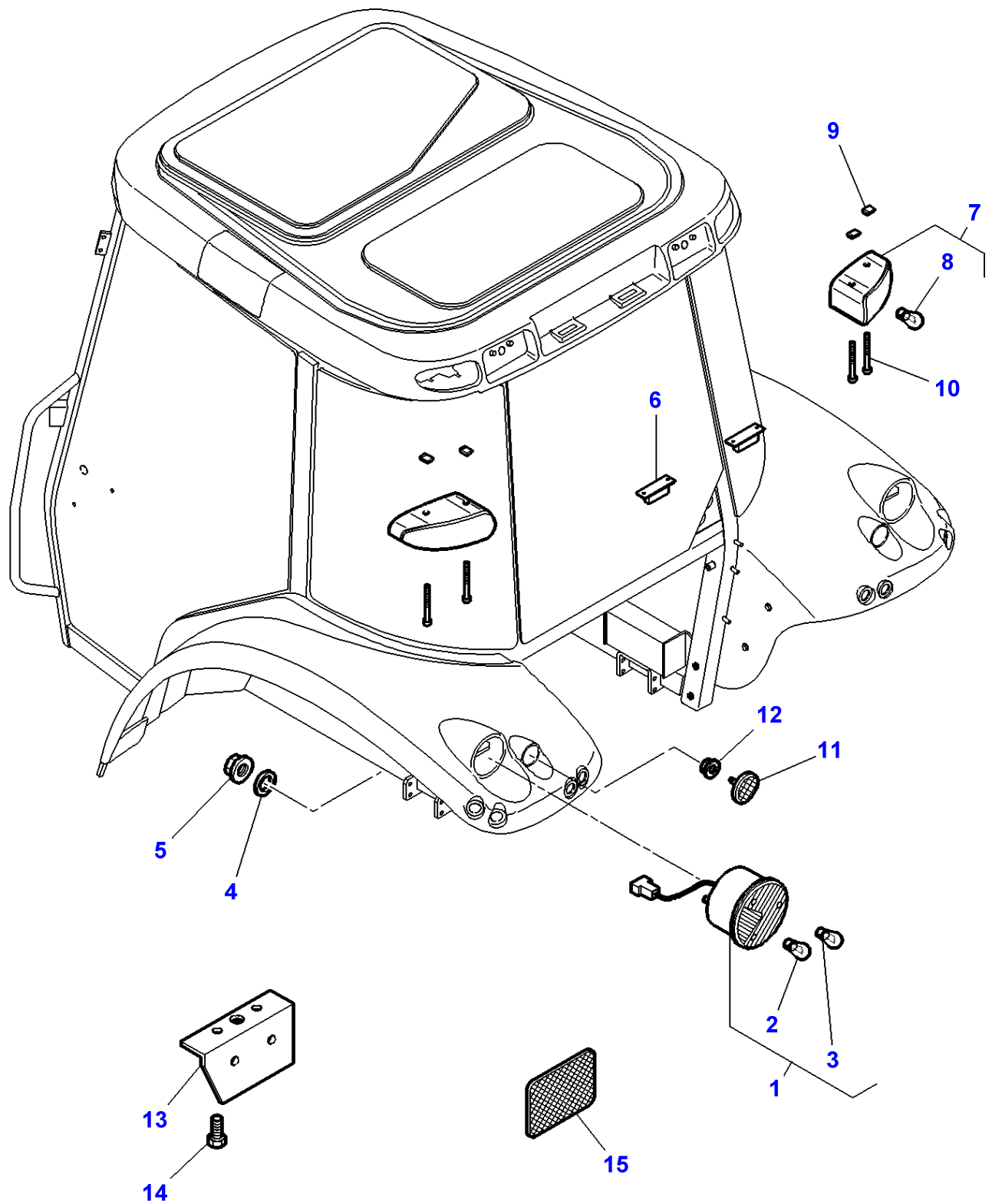


Massey Ferguson**MF 8470/8480 TRACTOR (TIER 3) - 3906071****3906071****Page 120-0030****Traffic Warning**

Item	Part Number	Qty	Description	Comments
1	4271554M1	1	Support	R247045
2	3712185M1	1	Triangle	[A]
	3789701M1	1	Triangle	[B]
3	339375X1	2	Spring Washer	
4	339560X1	2	Bolt	M6 X 16
5	4275846M1	1	Washer	R247045 6,7-12,2 X 3
6	4275839M1	1	Screw	R247045 M6 X 35
7	4287657M2	1	Support	R247046
8	394367X1	3	Locknut	R247046 M8
9	1441462X1	2	Locknut	R247046 M6
10	3010467X1	3	Washer	R247046 9-30 X 2

FOOTNOTE [A] EEC STANDARD**FOOTNOTE [B]** SAE STANDARD

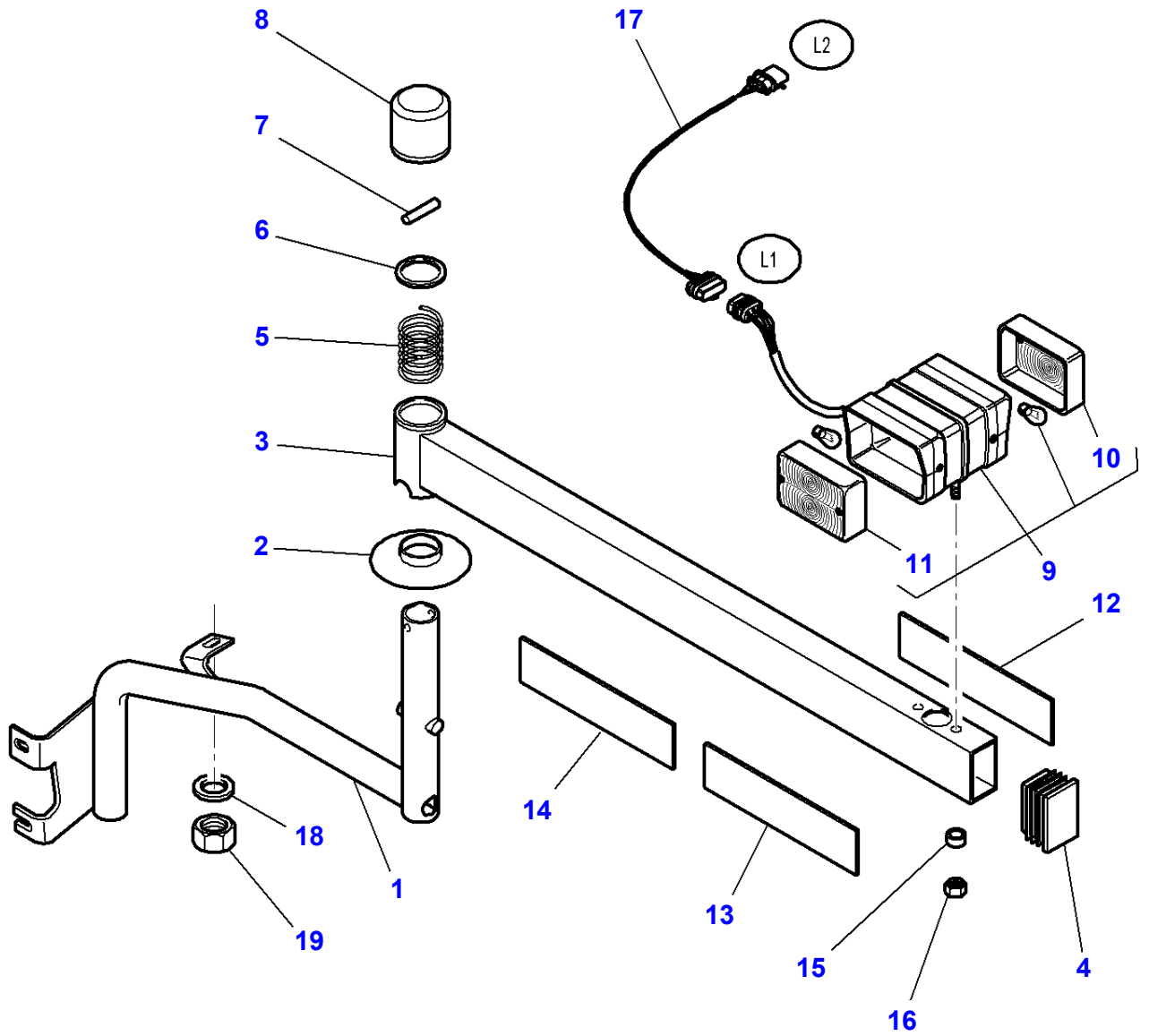
1-WW03-018-A



Lighting Equipment - Rear

Item	Part Number	Qty	Description	Comments
1	3786689M91	1	Lh Rear Lamp	
	3786690M91	1	Rh Rear Lamp	
	3786691M91	1	Lh Rear Lamp	
	3786692M91	1	Rh Rear Lamp	
2	621235M1	1	Bulb 12v 21w	(1)
3	908543M1	1	Bulb S/L 21/5w	(1)
4	390971X1	4	Flat Washer	6-12 X 1,5
5	1441500X1	4	Top Locknut	M6
6	3786670M1	2	N/Plate Lamp	
7	3787345M1	2	Flasher	
8	621235M1	1	Bulb 12v 21w	(7)
9	3010070X1	4	Spring Nut	
10	3011362X1	4	Screw	M6 X 90
11	4271028M1	2	Reflector	
12	3010477X1	2	Nut Metric	M5
13	3052943M2	1	Bearer	R291037
	4279180M1	1	Support	R291038
	3052944M2	1	Bearer	R291037
	4279179M1	1	Support	R291038
14	339124X1	4	Bolt	M8 X 16
15	3618951M1	2	Reflector	

1-WW03-001-C

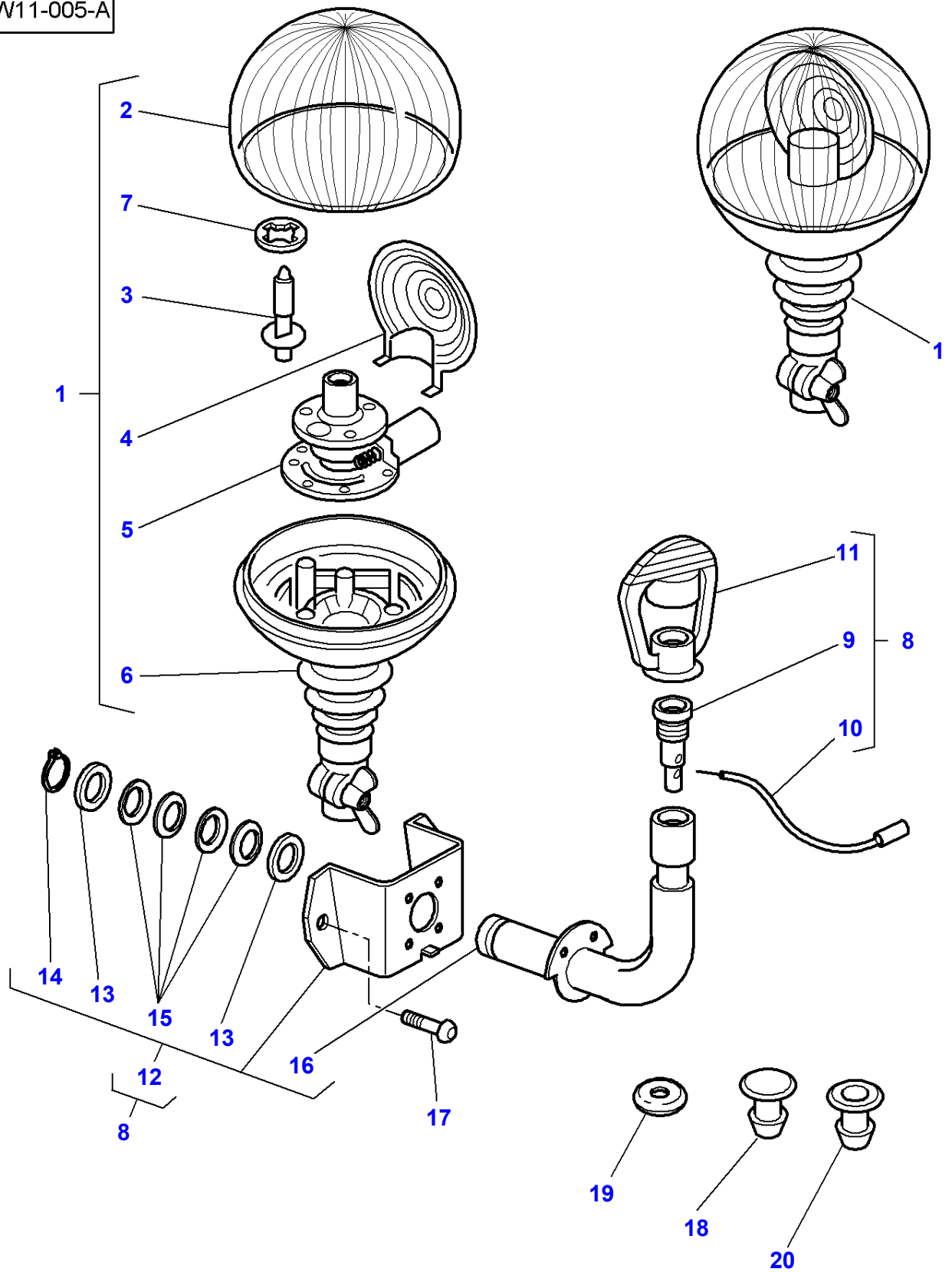


Lighting Equipment - Rear

Item	Part Number	Qty	Description	Comments
1	4273244M91	1	Support	
	4273245M91	1	Support	
2	3788367M2	2	Gasket	
3	3788385M93	1	Support	
	3788386M93	1	Support	
4	3788368M1	2	Tap	
5	3788364M2	2	Spring	
6	3788365M2	2	Washer	
7	3019546X1	2	Spirol Pin	8 X 45
8	3788369M1	2	Plug	
9	3788465M2	2	Light	
10	3907168M91	1	Lens	(9)
11	3310902M91	1	Lens	(9)
12	3788462M1	2	Reflectingmirror	[A]
13	3788461M1	2	Reflectingmirror	[B]
14	3788460M1	2	Reflectingmirror	[C]
15	3580848M1	4	Spacer	11-20 X 14,5
16	339169X1	4	Nut	M8
17	4274333M1	2	Harness	
18	391039X1	2	Flat Washer	
19	394367X1	2	Locknut	M8

FOOTNOTE [A] YELLOW**FOOTNOTE [B] RED****FOOTNOTE [C] ORANGE**

1-WW11-005-A

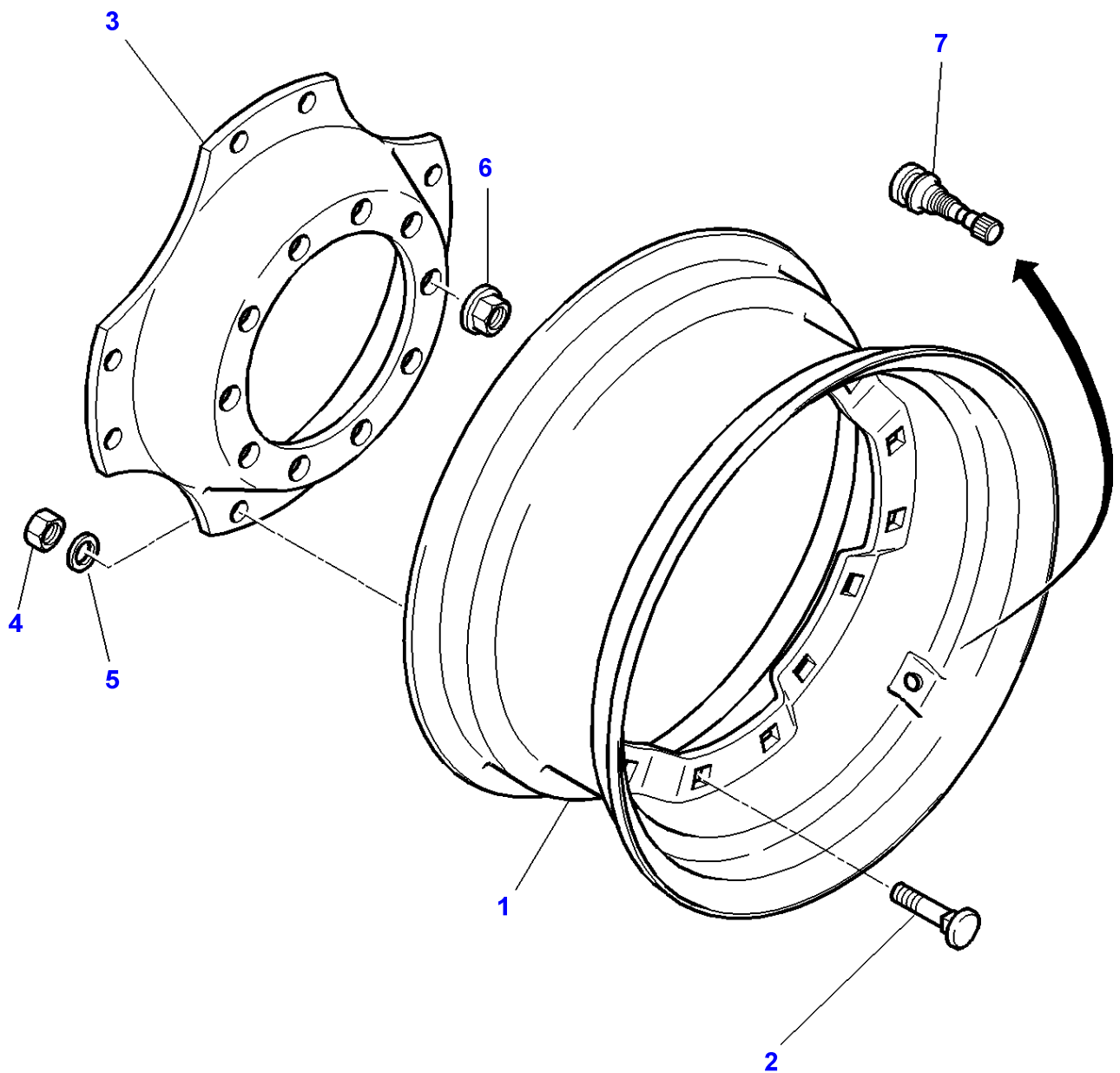


Rotating Light

Item	Part Number	Qty	Description	Comments
1	3715144M92	1	Turning Light	
2	3902469M1	1	Lens	(1)
3	3405180M1	1	Bulb 12v	(1)
4	3900282M1	1	Reflectingmirror	(1)
5	3900285M1	1	Engine	(1)
6		1	Support	(1) REF. 1
7	3900281M1	1	Bush	(1)
8	4274925M91	1	Support	
	4274926M91	1	Support	[A]
9	3617860M1	1	Intake	(8)
10	3713260M1	1	Wire	(8)
11	3617859M1	1	Helmet	(8)
12	4271246M91	1	Support	(8)
	3778093M91	1	Support	[A] (8)
13	3778025M1	2	Washer	(12) 23-45 X 3
14	3006699X1	1	Circlip	(12) 22 X 1,2
15	3778094M1	4	Washer	(12) 22,4-45 X 1,5
16	3778023M1	1	Tube	(12)
17	3010909X1	2	Screw	M8 X 20
18	3713404M1	1	Plug	15 mm
19	3714694M1	1	Grommet	7-21 mm
20	3713405M2	1	Grommet	7-15 mm

FOOTNOTE [A] WITH HIGH VISIBILITY ROOF

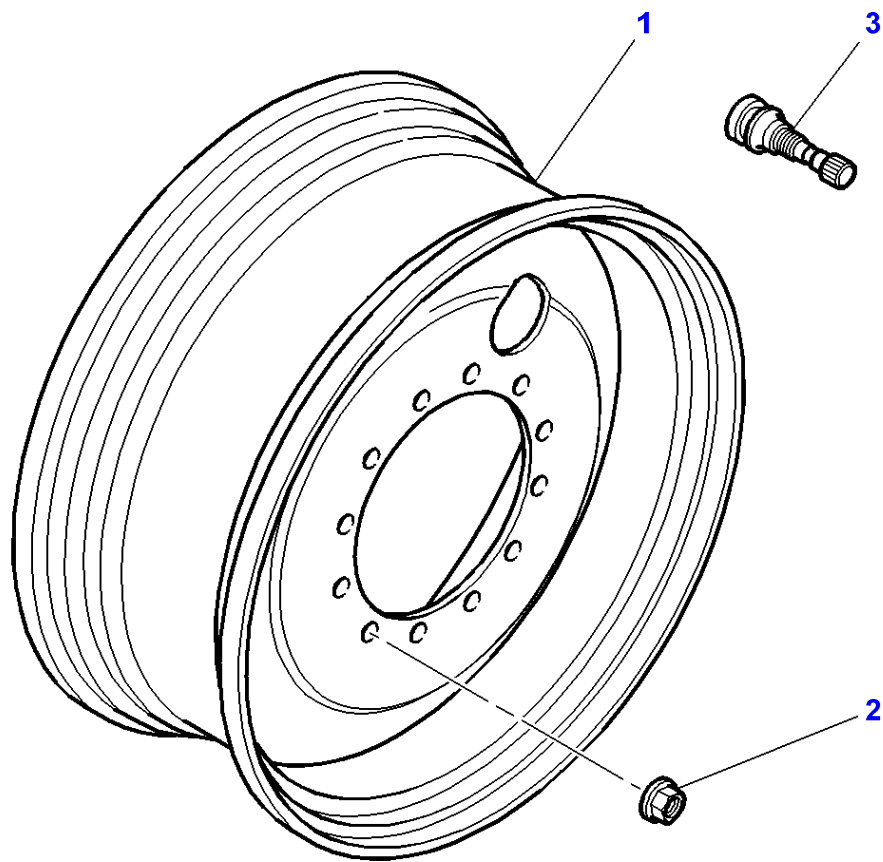
1-WL03-004-C



Massey Ferguson**MF 8470/8480 TRACTOR (TIER 3) - 3906071****3906071****Front Wheels - 4 Wheel Drive - Wheel Hub 10 Holes Assembling****Page 130-0005**

Item	Part Number	Qty	Description	Comments
1	4293074M1	2	Wheel Rim	DWW 13 X 30"
	4293073M1	2	Wheel Rim	W15L X 34"
2	3785847M1	16	Screw	M16 X 40
3	4293081M1	2	Disc	28" / 30"
	4293079M1	2	Disc	34"
4	3785846M1	16	Nut	M16
5	3785848M1	16	Washer	16,3 X 31,5
6	3712611M2	20	Nut Special	M22
7	4274219M1	2	Pressure Valve	

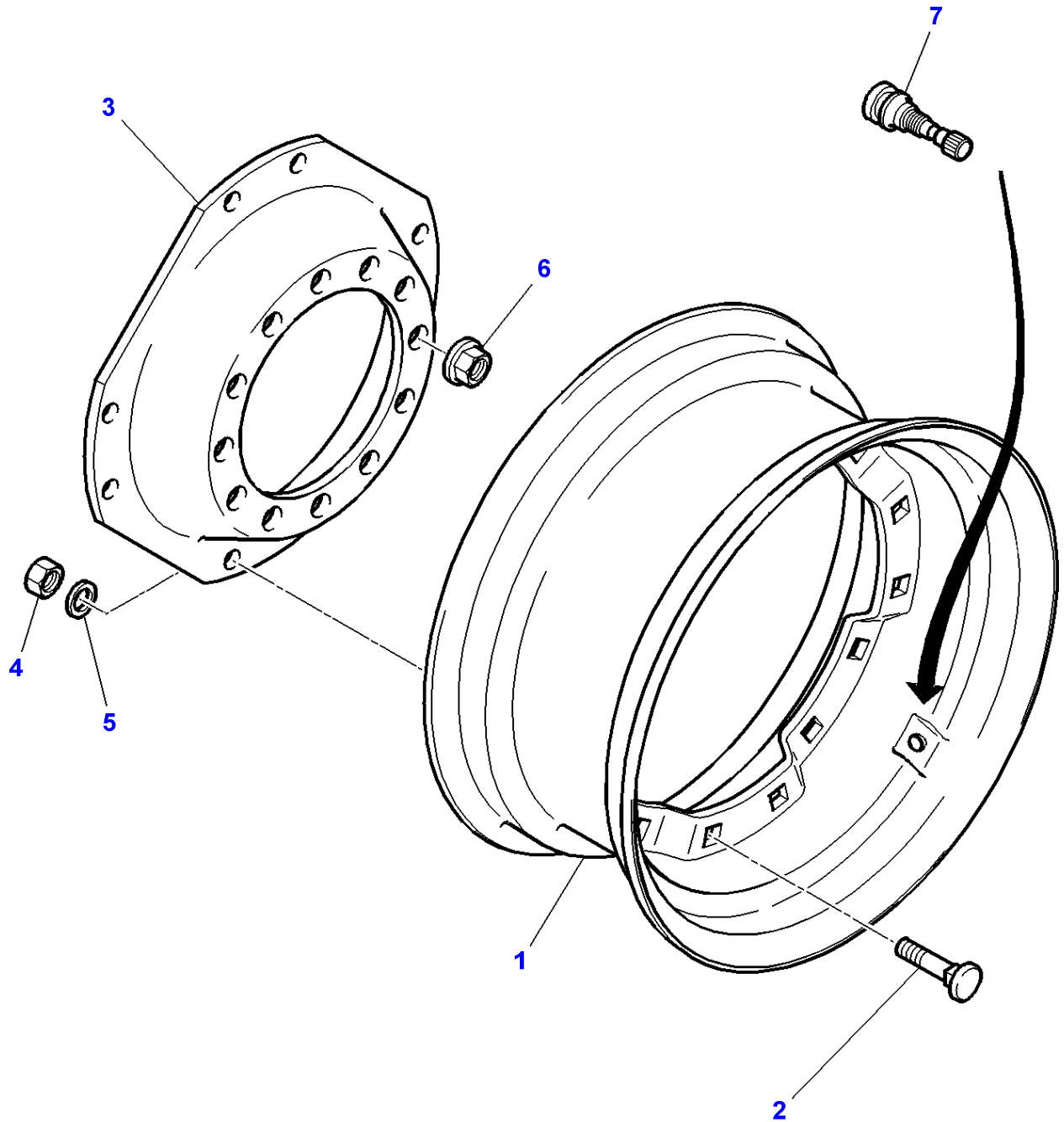
1-WL03-011-A



Massey Ferguson**MF 8470/8480 TRACTOR (TIER 3) - 3906071****3906071****Front Wheels - 4 Wheel Drive - Wheel Hub 12 Holes Assembling****Page 130-0010**

Item	Part Number	Qty	Description	Comments
1	3788573M1	2	Wheel Rim	DWW 23A X 30"
2	3712611M2	24	Nut Special	M22
3	4274219M1	2	Pressure Valve	

1-WL03-012-A



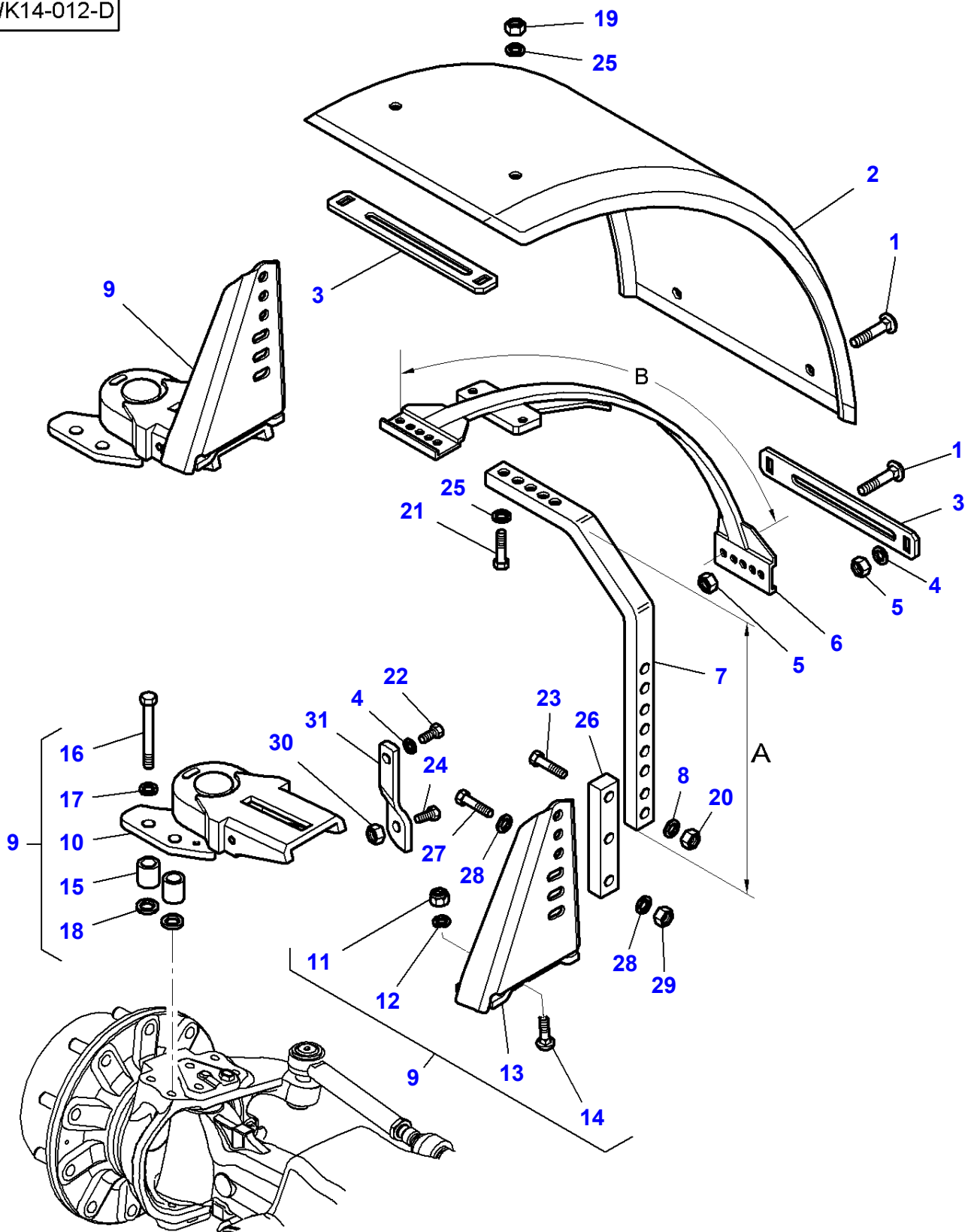
Massey Ferguson**MF 8470/8480 TRACTOR (TIER 3) - 3906071****3906071****Front Wheels - 4 Wheel Drive - Wheel Hub 12 Holes Assembling****Page 130-0015**

Item	Part Number	Qty	Description	Comments
1	4293073M1	2	Wheel Rim	W15L X 34"
	4293078M1	2	Wheel Rim	W18L X 28"
	4293074M1	2	Wheel Rim	DWW 13 X 30"
	4293075M1	2	Wheel Rim	DWW 15L X 30"
	4293072M1	2	Wheel Rim	W13 X 34"
2	3785847M1	16	Screw	
3	4293080M1	2	Disc	34"
	4293082M1	2	Disc	28"- 30"
4	3785846M1	16	Nut	
5	3785848M1	16	Washer	
6	3712611M2	24	Nut Special	M22
7	4274219M1	2	Pressure Valve	

Massey Ferguson**MF 8470/8480 TRACTOR (TIER 3) - 3906071****3906071****Front Axle 4 Wheel Drive - Mudguards And Supports - Rigid****Page 130-0020**

Item	Part Number	Qty	Description	Comments
1	3619229M2	2	Fender	A = 470 MM
	3779567M1	2	Fender	A = 520 MM
	3780467M1	2	Fender	A = 620 MM
2	3777586M2	4	Plate	340 MM
	3777587M2	4	Plate	400 MM
	3780468M2	4	Plate	448 MM
3	3777588M1	1	Support	
	3777590M1	1	Support	
4	390735X1	8	Flat Washer	12-24 X 2,5
5	3009695X1	8	Nut	M12
6	3010938X1	8	Hex. Sock. Screw	M16 X 95
	339881X1	8	Hex. Sock. Screw	M16 X 60
7	1441664X1	8	Flat Washer	M16
8	3779565M2	2	Spacer	
9	3009513X1	8	Hex. Sock. Screw	M12 X 65
10	339402X1	12	Nut	M10
11	390734X1	12	Flat Washer	10-21 X 2
12	390809X1	12	Screw Special	M10 X 25
13	4270977M2	8	Spacer	17,5-32 X 62 MM
	3011172X1	8	Spacer	17-32 X 30 MM
14	4271490M3	1	Support	A = 520 MM
	4271482M3	1	Support	A = 520 MM

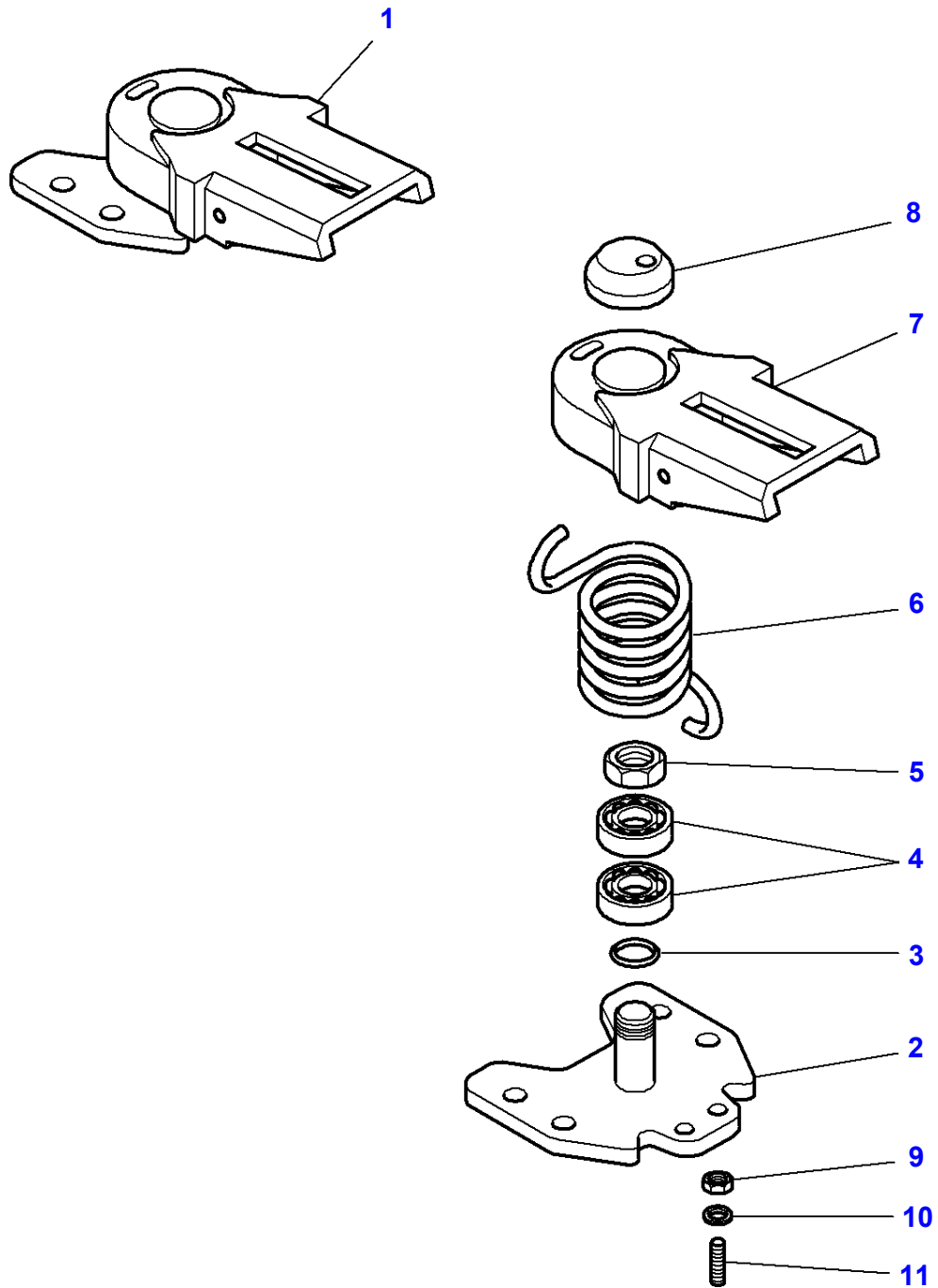
1-WK14-012-D



Item	Part Number	Qty	Description	Comments
1	390809X1	12	Screw Special	M10 X 25
2	3619229M2	2	Fender	470 mm
	3779567M1	2	Fender	520 mm
	3780467M1	2	Fender	620 mm
3	3777586M2	4	Plate	340 mm
	3777587M2	4	Plate	400 mm
	3780468M2	4	Plate	448 mm
4	390734X1	14	Flat Washer	10-21 X 2
5	339402X1	12	Nut	M10
6	3784948M1	2	Safety Frame	B =1045mm
	3789029M1	2	Safety Frame	B =1167mm
7	3789030M1	2	Arm	A = 416 mm 25 mm
	4285025M1	2	Arm	A = 517 mm
8	390735X1	8	Flat Washer	12-24 X 2,5
9	4273474M92	1	Pivot	
	4273475M92	1	Pivot	
10	4273668M2	1	Pivot	(9) 130-0030/1
	4273669M2	1	Pivot	(9) 130-0030/1
11	4273673M1	1	Nut	(9) M18
12	4273674M1	1	Washer	(9)
13	4273670M1	1	Support	(9)
	4273671M1	1	Support	(9)
14	4273672M1	1	Screw	(9)
15	3011172X1	4	Spacer	[B] P341029 17-32 X 30
	4282836M1	4	Spacer	(9) P341030 19-30 X 30
16	391889X1	8	Bolt	[B] P341029 M16 X 70
	339881X1	8	Hex. Sock. Screw	[B] P341029 M16 X 60
	3002877X1	4	Hex. Sock. Screw	(9) P341030 M16 X 65
17	1441664X1	4	Flat Washer	(9)
18	3015484X1	4	O Ring	(9) P341030
19	1442190X1	4	Locknut	M12
20	1442190X1	4	Locknut	M12
21	1441226X1	4	Hex. Sock. Screw	M12 X 40
22	1441302X1	2	Hex. Sock. Screw	M10 X 30
23	3009510X1	4	Bolt	M12 X 50
24	3010763X1	2	Hex. Sock. Screw	M12 X 60
25	1441664X1	8	Flat Washer	16-30 X 3
26	3777716M1	2	Spacer	
27	3009516X1	4	Hex. Sock. Screw	M12 X 90
28	390735X1	8	Flat Washer	
29	3009695X1	4	Nut	M12
30	3009695X1	2	Nut	M12
31	4280475M1	1	Strap	
	4280473M1	1	Strap	

FOOTNOTE [B] NOT INCLUDED IN ASSEMBLY

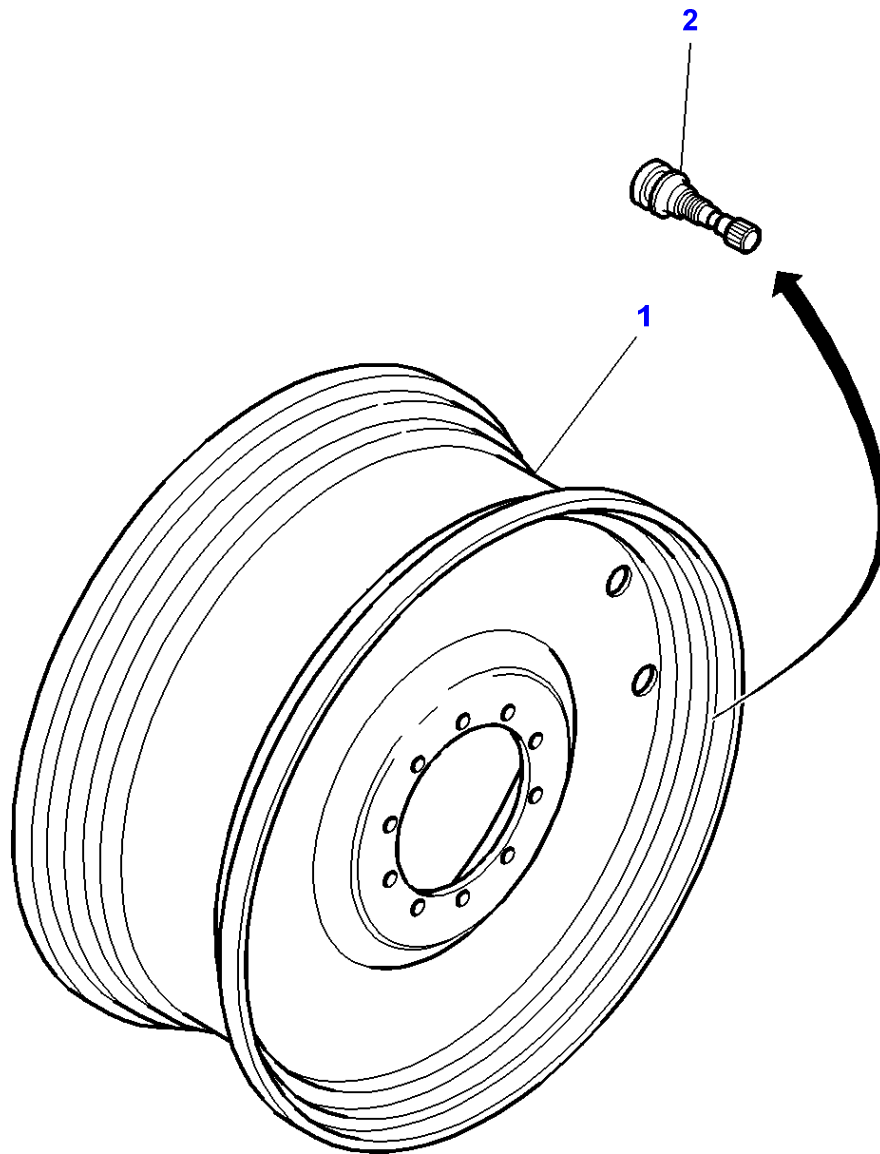
1-WK14-013-A



Massey Ferguson**MF 8470/8480 TRACTOR (TIER 3) - 3906071****3906071****Front Axle 4 Wheel Drive - Mudguards And Supports - Pivoting****Page 130-0030**

Item	Part Number	Qty	Description	Comments
1	4273669M2	1	Pivot	
	4273668M2	1	Pivot	
2		1	Pedestal	(1) REF. 1
3	3903902M1	1	Gasket	(1)
4	3010151X91	2	Bearing Taper	(1)
5	3015395X1	1	Locknut	(1) M25 x 1,5
6	F718.701.030.050	1	Spring	(1)
	F718.701.030.040	1	Spring	(1)
7		1	Cover	(1) REF .1
8	F718.701.030.010	1	Cover	(1)
9	339070X1	1	Nut	(1)
10	390973X1	1	Washer	(1)
11	F718.701.030.070	1	Grub Screw	(1) M14 X 1,5

1-WM01-004-C

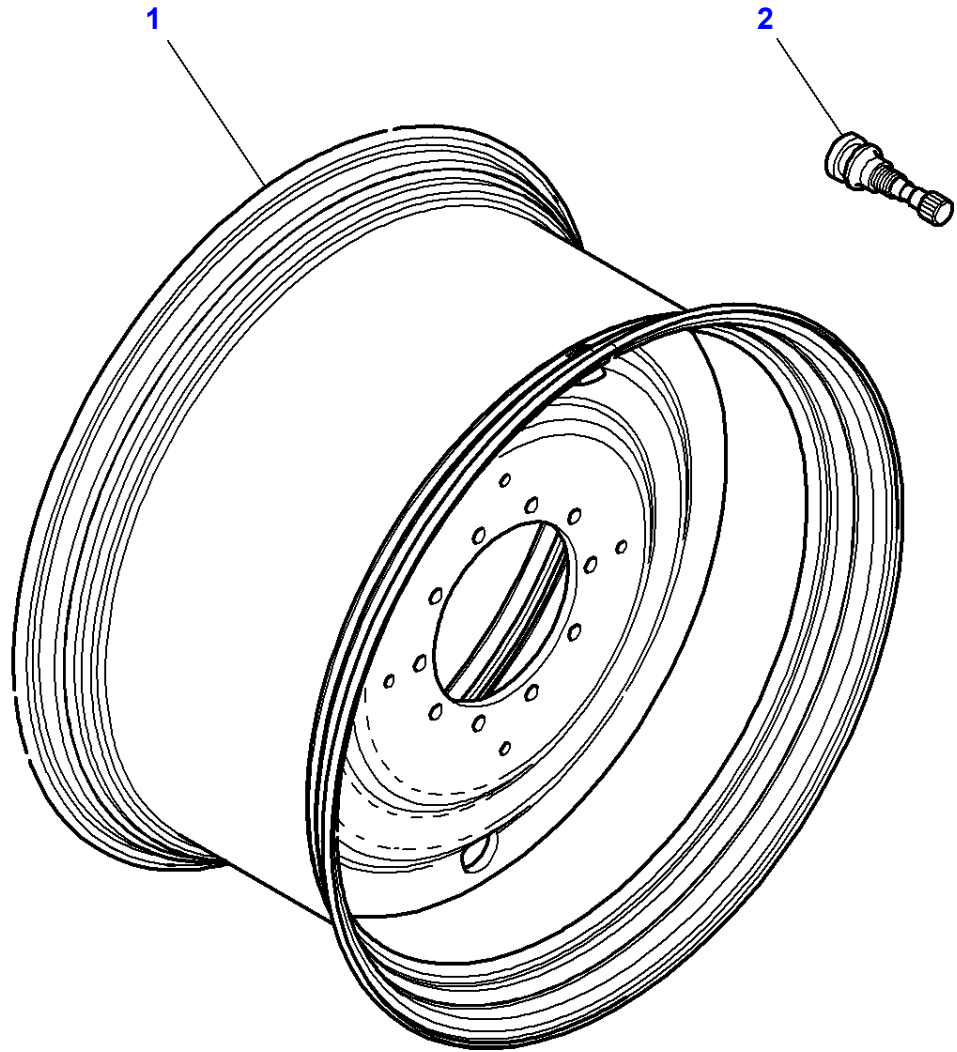


Massey Ferguson**MF 8470/8480 TRACTOR (TIER 3) - 3906071****3906071****Rear Wheels - Wheel Hub 10 Holes Assembling****Page 130-0035**

Item	Part Number	Qty	Description	Comments
1	3781972M3	2	Wheel Rim	[C] DWW 23A X 38"
	3781969M3	2	Wheel Rim	[F,J] DWW 18L X 42"
	3787712M2	2	Wheel Rim	[G,J] W 13 X 46"
	3781982M3	2	Wheel Rim	[J] DD 16 X 46"
2	4274219M1	2	Pressure Valve	

FOOTNOTE [C] USED WITH TYRES : 650/85R38 - 710/70R38**FOOTNOTE [F]** USED WITH TYRES : 20,8R-42" - 620/70R42 - 350/65R42 - 520/85R42**FOOTNOTE [G]** USED WITH TYRES : 19,90" X 46"**FOOTNOTE [J]** CAN BE TWINED FITTED

1-WM01-016-A



Massey Ferguson

MF 8470/8480 TRACTOR (TIER 3) - 3906071

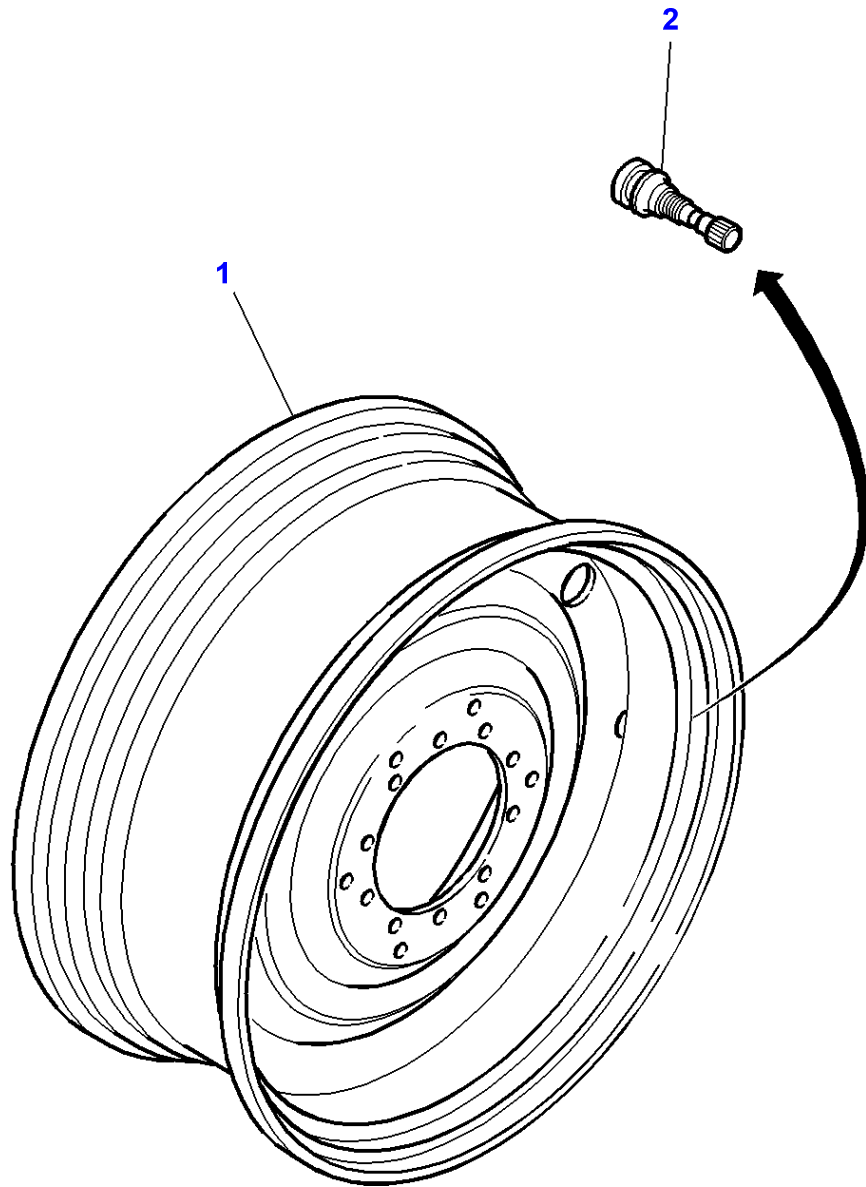
3906071

Rear Wheels - Wheel Hub 10 Holes Assembling

Page 130-0040

Item	Part Number	Qty	Description	Comments
1	4287641M1	2	Wheel Rim	DW 23A X 42"
2	4274219M1	2	Pressure Valve	

1-WM01-009-A



Massey Ferguson

MF 8470/8480 TRACTOR (TIER 3) - 3906071

3906071

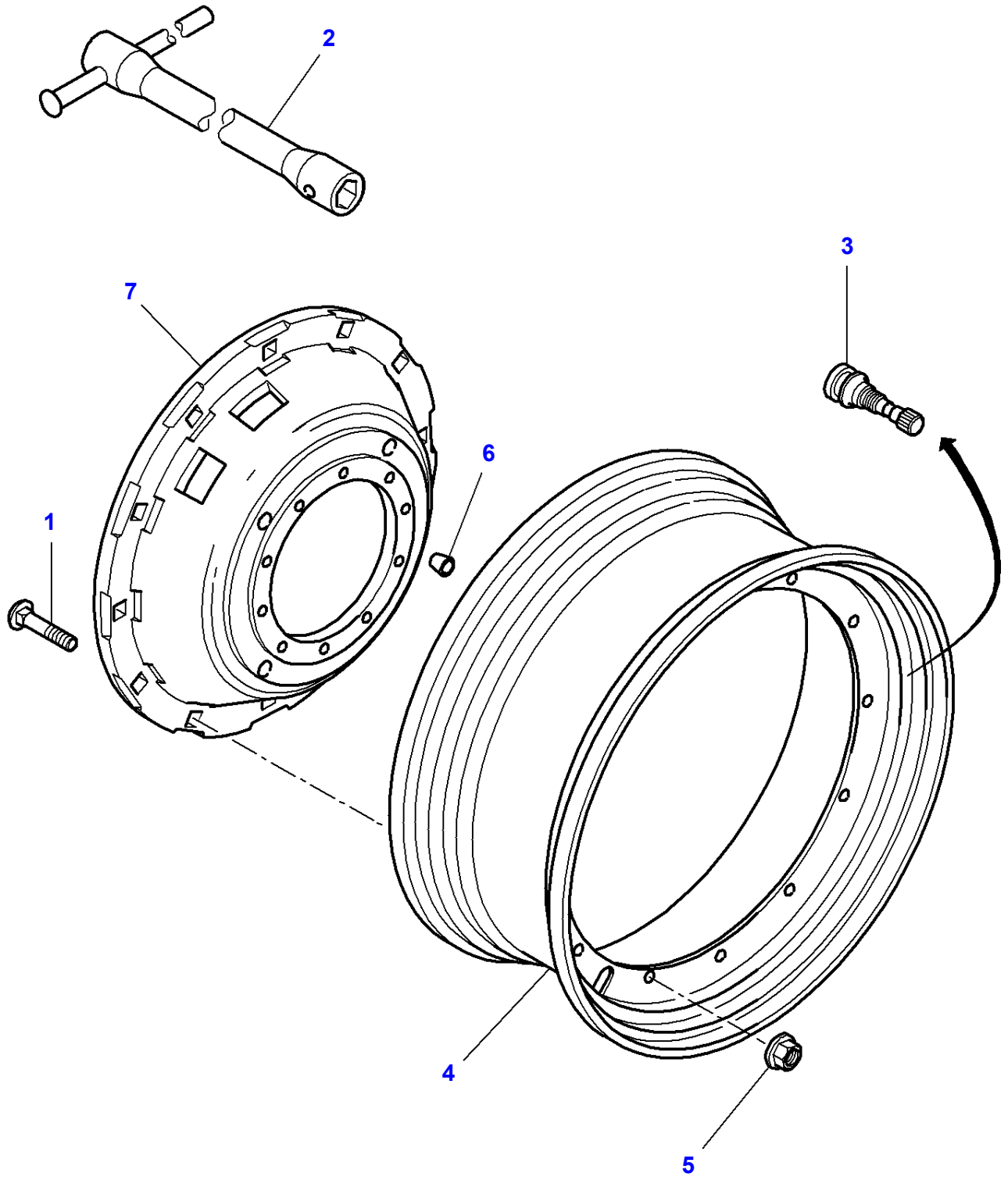
Rear Wheels - Wheel Hub 10 Holes Assembling

Page 130-0045

Item	Part Number	Qty	Description	Comments
1	3788574M2	2	Wheel Rim	[A] DWW 27A X 42"
	4280632M1	2	Wheel Rim	[A] DWL 15L X 50"
2	4274219M1	2	Pressure Valve	

FOOTNOTE [A] CAN BE TWINED FITTED

1-WM01-014-A



Rear Wheels

Item	Part Number	Qty	Description	Comments
1	920700180070	24	Screw	M18 X 95
2	3386406M1	1	Spanner	
3	4274219M1	2	Pressure Valve	
4	3782154M2	2	Wheel Rim	[E] DWW 23A X 38"
	4280633M1	2	Wheel Rim	[J] DWL 15L X 50"
	4280633M1	2	Wheel Rim	[J,K] DWL 15L X 50"
	3787713M1	2	Wheel Rim	[A,F,G] W 13 X 46"
	3782157M2	2	Wheel Rim	[B,F] DD 16 X 46"
	3782155M1	2	Wheel Rim	[C,F] DWW 18L X 42"
	4293401M91	2	Wheel Rim	[H] W 10 X 54"
	4287642M1	2	Wheel Rim	DW 23A X 42"
5	920700180080	24	Nut	M18
6	3780302M1	8	Dowel	
7	3716108M3	1	Disc	38" 209 KG

FOOTNOTE [A] WITH RIM 3716108M3 CAN BE TWINED FITTED WITH WHEEL 3787712M1

FOOTNOTE [B] WITH RIM 3716108M3 CAN BE TWINED FITTED WITH WHEEL 3781982M3

FOOTNOTE [C] WITH RIM 3716108M3 CAN BE TWINED FITTED WITH WHEEL 3781969M3

FOOTNOTE [E] WITH RIM 3716108M3 CAN BE TWINED FITTED WITH WHEEL 3781972M3

FOOTNOTE [F] WITH RIM 3716108M3 CAN BE TWINED FITTED

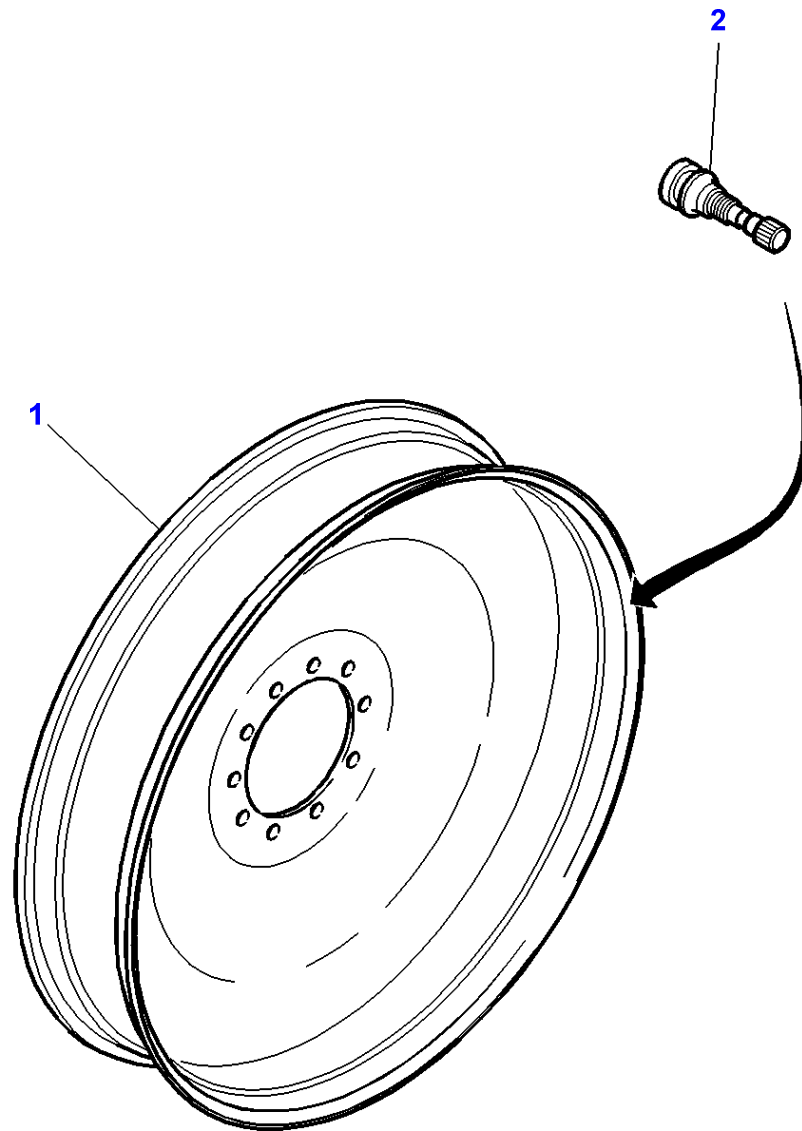
FOOTNOTE [G] WITH RIM 3582139M4+3615370M3 CAN BE TWINED FITTED

FOOTNOTE [H] WITH RIM 3716108M3 CAN BE TWINED FITTED WITH WHEEL 4271729M1

FOOTNOTE [J] WITH RIM 3716108M3 CAN BE TWINED FITTED WITH WHEEL 4280633M1

FOOTNOTE [K] WITH RIM 3716108M3 CAN BE TWINED FITTED WITH WHEEL 4280632M1

1-WM01-008-B



Massey Ferguson

MF 8470/8480 TRACTOR (TIER 3) - 3906071

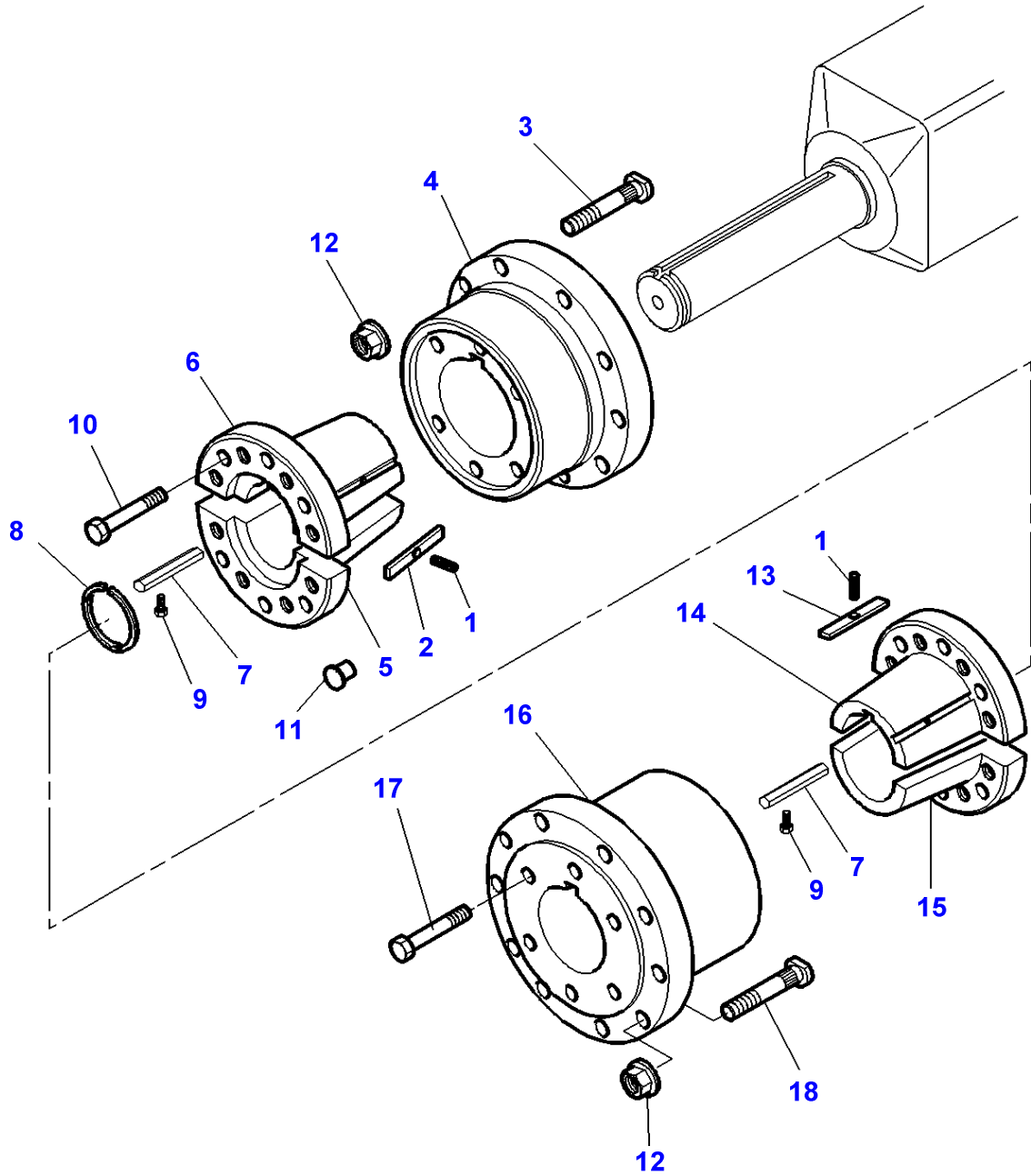
3906071

Rear Wheels - Wheel Hub 10 Holes Assembling

Page 130-0055

Item	Part Number	Qty	Description	Comments
1	4271729M1	2	Wheel Rim	W10 X 54"
2	4274219M1	2	Pressure Valve	

1-WM05-007-A

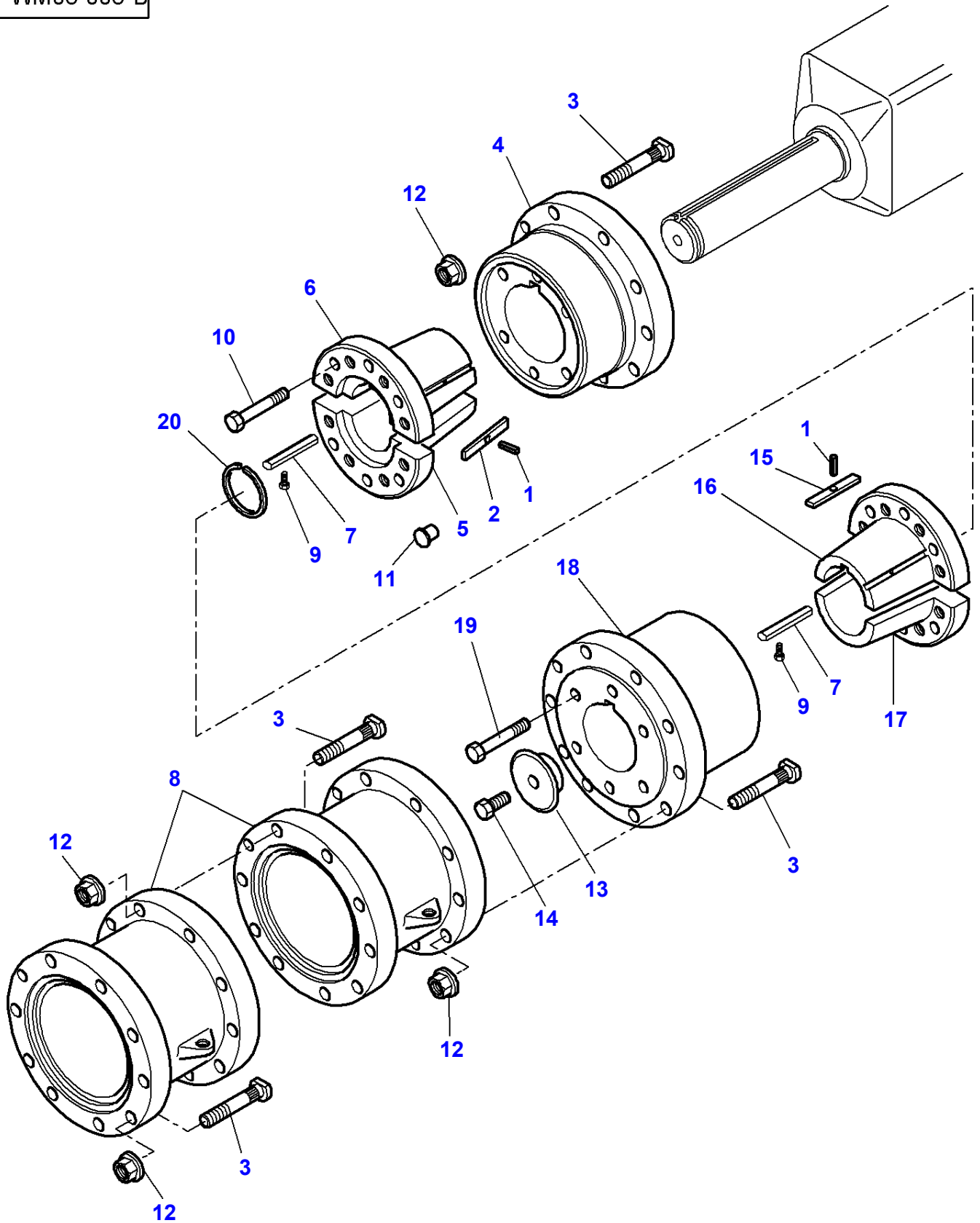


Item	Part Number	Qty	Description	Comments
1	763786M1	2	Roll Pin	3 X 19 (Single Wheels)
	763786M1	2	Roll Pin	3 X 19 (Dual Wheels)
2	509816M3	2	Key	(Single Wheels)
	509816M3	2	Key	(Dual Wheels)
3	3792488M2	20	Stud	[A] M22 X 78 (Single Wheels)
	3792488M2	20	Stud	[A] M22 X 78 (Dual Wheels)
	3716105M2	20	Stud	[B] M22 X 100 (Single Wheels)
	3716105M2	20	Stud	[B] M22 X 100 (Dual Wheels)
4	3716107M2	2	Hub	(Single Wheels)
	3716107M2	2	Hub	(Dual Wheels)
5	3716269M1	2	Cone	198 MM (Single Wheels)
	3716269M1	2	Cone	198 MM (Dual Wheels)
6	3716268M1	2	Cone	198 MM (Single Wheels)
	3716268M1	2	Cone	198 MM (Dual Wheels)
7	3716106M4	2	Key	(Single Wheels)
	3716106M4	2	Key	(Dual Wheels)
8	3010765X1	2	Snapping	(Single Wheels)
	3010765X1	2	Snapping	(Dual Wheels)
9	1440350X1	2	Screw Metric	M6 X 20 (Single Wheels)
	1440350X1	2	Screw Metric	M6 X 20 (Dual Wheels)
10	3010569X1	12	Hex. Sock. Screw	M20 X 80 (Single Wheels)
	3010569X1	12	Hex. Sock. Screw	M20 X 80 (Dual Wheels)
11	3791968M1	16	Plug	(Single Wheels)
	3791968M1	16	Plug	(Dual Wheels)
12	3712611M2	20	Nut Special	M22 (Single Wheels)
	3712611M2	20	Nut Special	M22 (Dual Wheels)
13	3787102M1		Key	(Dual Wheels)
14	3786847M1		Cone	(Dual Wheels)
15	3786848M1		Cone	(Dual Wheels)
16	3786490M1		Hub	(Dual Wheels)
17	3580230M1		Bolt	M20 X 190 (Dual Wheels)
18	3792488M2		Stud	[A] M22 X 78 (Dual Wheels)

FOOTNOTE [A] WITH RIM STEEL

FOOTNOTE [B] WITH CAST WHEELS

1-WM05-008-B



Item	Part Number	Qty	Description	Comments
1	763786M1	4	Roll Pin	
2	509816M3	4	Key	
3	3716105M2	X	Stud	M22 X 100
	3792488M2	X	Stud	M22 X 78
4	3716107M2	2	Hub	[A]
5	3716269M1	4	Cone	198 MM
6	3716268M1	4	Cone	198 MM
7	3716106M4	4	Key	
8	3786577M2	4	Spacer	
9	1440350X1	4	Screw Metric	M6 X 20
10	3010569X1	24	Hex. Sock. Screw	M20 X 80
11	3791968M1	32	Plug	
12	3712611M2	80	Nut Special	M22 X 1,5
13	3787332M2	2	Thrust Washer	[C]
14	3001462X1	2	Hex. Sock. Screw	[C] M24 X 60 R097040
	1441604X1	2	Bolt Metric	[C] M24 X 80 R097041
15	3787102M1	2	Key	
16	3786847M1	2	Cone	174 MM
17	3786848M1	2	Cone	174 MM
18	3786490M1	2	Hub	[B]
19	3580230M1	16	Bolt	M20 X 190
20	3010765X1	2	Snapping	[F]

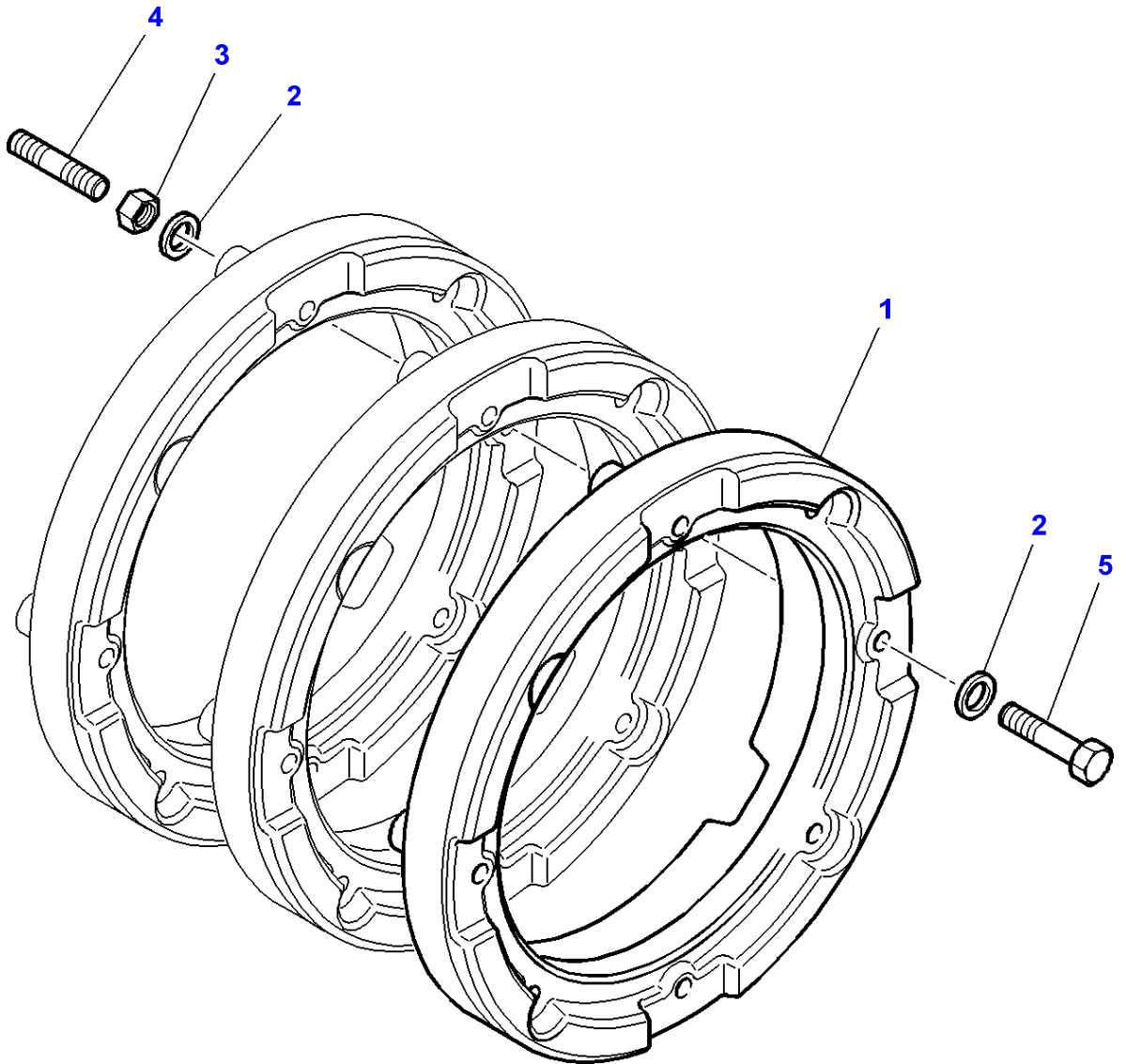
FOOTNOTE [A] 6 HOLES FIXING

FOOTNOTE [B] 8 HOLES FIXING

FOOTNOTE [C] WITH SHORT SHAFT

FOOTNOTE [F] WITH LONG SHAFT

1-WX17-002-A

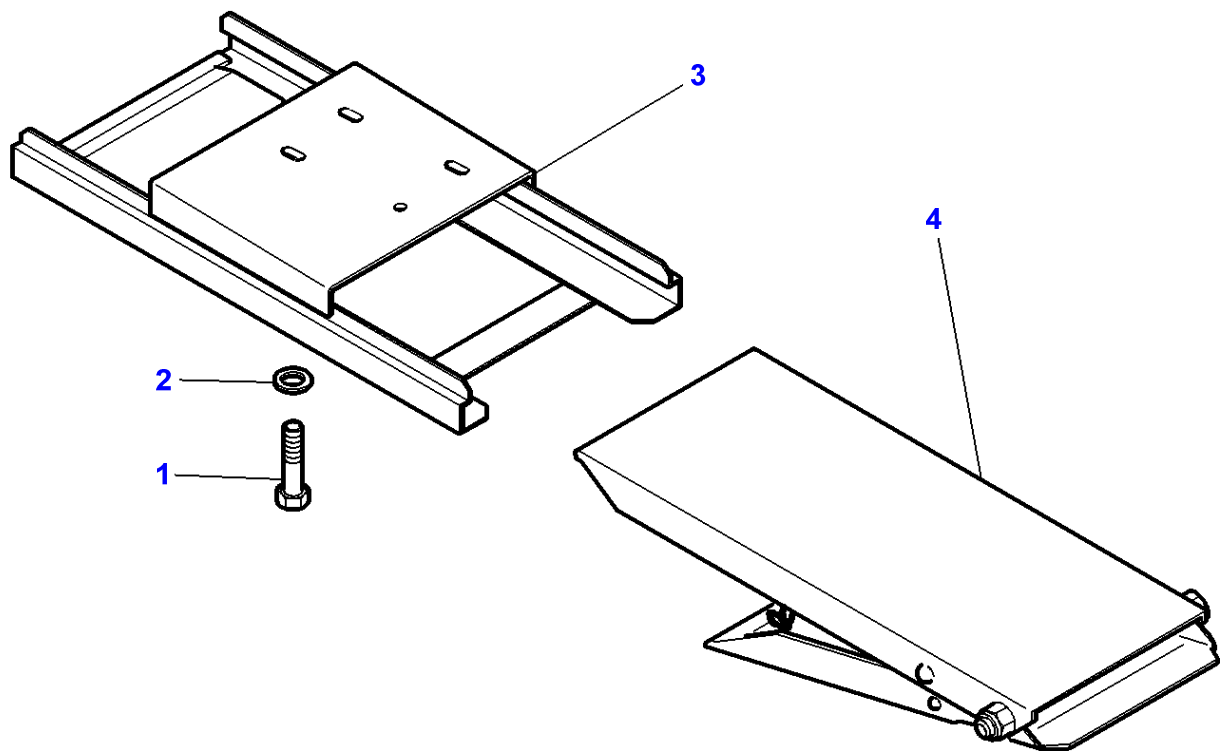


Wheel Weights

Item	Part Number	Qty	Description	Comments
1	3789077M1	X	Weight	[A] 50 KG
	3789078M1	X	Weight	[A] 200 KG
2	3019575X1	X	Flat Washer	17-44 X 3
3	339034X1	X	Nut	M16
4	3386466M1	X	Stud	M16 X 65
	3009933X1	X	Stud	M16-135 P207000
	3019877X1	X	Stud	M16-120 P207001
5	3009244X1	X	Carriage Bolt	M16 X 90 P320000
	3009248X1	X	Carriage Bolt	M16 X 130 P320000
	3015187X1	X	Hex. Sock. Screw	M16-130 P320001
	3019868X1	X	Hex. Sock. Screw	M16 X 115 P320001
	3019868X1	X	Hex. Sock. Screw	M16 X 115

FOOTNOTE [A] HOLES FIXING ON DIAMETER 456MM

1-WX37-008-A



Massey Ferguson**MF 8470/8480 TRACTOR (TIER 3) - 3906071****3906071****Wheel Wedges****Page 130-0075**

Item	Part Number	Qty	Description	Comments
1	339124X1	4	Bolt	M8 X 16
2	390972X1	4	Flat Washer	
3	4278080M2	1	Support	
4	4274765M1	1	Chock	S067021
	4290396M1	1	Chock	S067022